



US00D915813S

(12) **United States Design Patent**
Sarnoff et al.

(10) **Patent No.:** **US D915,813 S**
(45) **Date of Patent:** **** Apr. 13, 2021**

(54) **PAN**
(71) Applicant: **HFA, INC.**, Wheeling, IL (US)
(72) Inventors: **Brad Sarnoff**, Highland Park, IL (US);
Norton Sarnoff, Boca Raton, IL (US);
Raj Patel, Kildeer, IL (US)

(73) Assignee: **HFA, Inc.**, Wheeling, IL (US)

(**) Term: **15 Years**

(21) Appl. No.: **29/708,706**

(22) Filed: **Oct. 9, 2019**

Related U.S. Application Data

(62) Division of application No. 29/640,935, filed on Mar. 19, 2018, now Pat. No. Des. 876,879.

(51) **LOC (13) Cl.** **07-02**

(52) **U.S. Cl.**
USPC **D7/359**

(58) **Field of Classification Search**

USPC D7/323, 338, 352, 354, 355, 356, 357,
D7/358, 359, 360, 361, 362, 363, 364,
D7/365, 366, 367, 402, 407, 409;
D9/736, 749, 755, 758, 760, 456
CPC .. A21B 3/00; A21B 3/13; A21B 3/131; A21B
3/132; A21B 3/135; A21B 3/136; A21B
3/137; A21B 3/15; A21B 5/00; A21B
5/02; A21B 5/04; A47J 27/00; A47J
36/00; A47J 36/02; A47J 36/06; A47J
36/16; A47J 36/24; A47J 36/022; A47J
36/027; A47J 37/00; A47J 37/01; A47J
37/04; A47J 37/06; A47J 37/10; A47J
37/07; A47J 37/0781; A47J 43/20

See application file for complete search history.

(56) **References Cited**

U.S. PATENT DOCUMENTS

3,021,990 A * 2/1962 Duskey B65D 21/0233
206/519
3,144,974 A * 8/1964 Eichner B21D 22/201
220/608

(Continued)

FOREIGN PATENT DOCUMENTS

CA 181393 * 5/2018
JP 09051853 A * 2/1997
JP 09051853 A 2/1997

OTHER PUBLICATIONS

Full Curl Packaging, announced © 2018 [online], retrieved Oct. 1, 2020, retrieved from internet, <https://www.handi-foil.com/hfa/full-curl/>.*

(Continued)

Primary Examiner — Dana K Weiland

Assistant Examiner — Messina L Smith

(74) *Attorney, Agent, or Firm* — Adam K. Sacharoff;
Much Shelist, P.C.

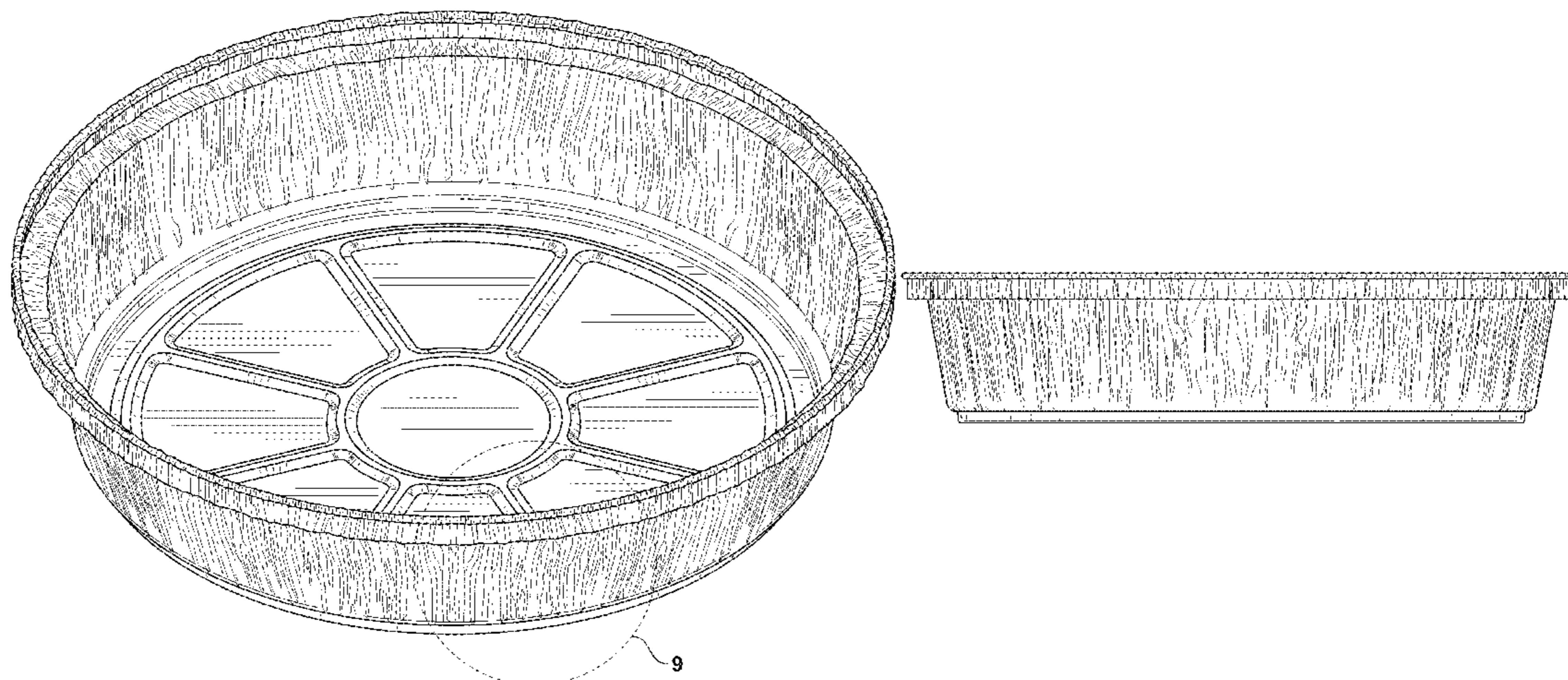
(57) **CLAIM**

The ornamental design for a pan, as shown and described.

DESCRIPTION

FIG. 1 is a front side perspective view of a pan showing the new design;
FIG. 2 is a left side view thereof,
FIG. 3 is a right side view thereof;
FIG. 4 is a front view thereof;
FIG. 5 is a rear side view thereof;
FIG. 6 is a top plan view thereof;
FIG. 7 is a bottom plan view thereof;
FIG. 8 is a bottom perspective view thereof;
FIG. 9 is an enlarged front side perspective view of the circled portion of the pan in FIGS. 1; and,
FIG. 10 is an enlarged bottom front side perspective view of the circled portion of the pan in FIG. 8.

1 Claim, 6 Drawing Sheets



(56)

References Cited

U.S. PATENT DOCUMENTS

3,191,520 A * 6/1965 Halter B65D 1/36
 249/135
 D321,809 S 11/1991 Zobrist
 D391,479 S * 3/1998 Poitras D9/429
 D391,850 S 3/1998 Krupa
 D438,466 S * 3/2001 Fletcher D9/415
 6,401,602 B1 6/2002 Lin
 D545,627 S 7/2007 Chatterton
 D553,819 S 10/2007 Brothers
 D554,316 S 10/2007 Brothers
 D598,744 S 8/2009 Shields
 D648,976 S 11/2011 Thurlow
 D766,110 S 9/2016 Whitis
 D807,704 S 1/2018 Epstein
 D810,495 S 2/2018 Yau
 D815,898 S 4/2018 Castriota
 D820,027 S 6/2018 Weernink
 D821,140 S 6/2018 Mirchandani
 D830,110 S 10/2018 Mirchandani
 D876,879 S * 3/2020 Sarnoff D7/359
 D878,140 S * 3/2020 Peretz D7/354

D884,486 S * 5/2020 Chiang D9/756
 2013/0199380 A1 8/2013 Pugh
 2014/0238997 A1* 8/2014 Sarnoff A47J 47/14
 220/573.1

OTHER PUBLICATIONS

Handi-Foil 9" Round Foil Take-Out/Cake Pan, announced Jul. 22, 2016 [online], retrieved Oct. 1, 2020, retrieved from internet, <https://www.amazon.com/Handi-Foil-Round-Take-Out-Disposable-Container/dp/B01IWKUNT2>.*

Handi-Foil 2046-00-200W 9" Round Foil Pan w/ Board Lid, announced © 2001-2018 [online], retrieved Oct. 1, 2020, retrieved from internet, <https://www.katom.com/428-204600200W.html>.*

HandiFoil 7" Takeout to-Go Round Disposable Aluminum Foil Pan Sets with Plastic Dome Lids, reviewed Mar. 12, 2016 [online], retrieved Sep. 11, 2019, retrieved from internet, https://www.amazon.com/HandiFoil-Takeout-Disposable-Aluminum-Plastic/dp/BOOWOH MEGY/ref=cm_cr arp_d_product_top?ie=UTF8 (Year: 2016).

Office Action, U.S. Appl. No. 29/640,935 copending parent application; dated Sep. 18, 2019.

* cited by examiner

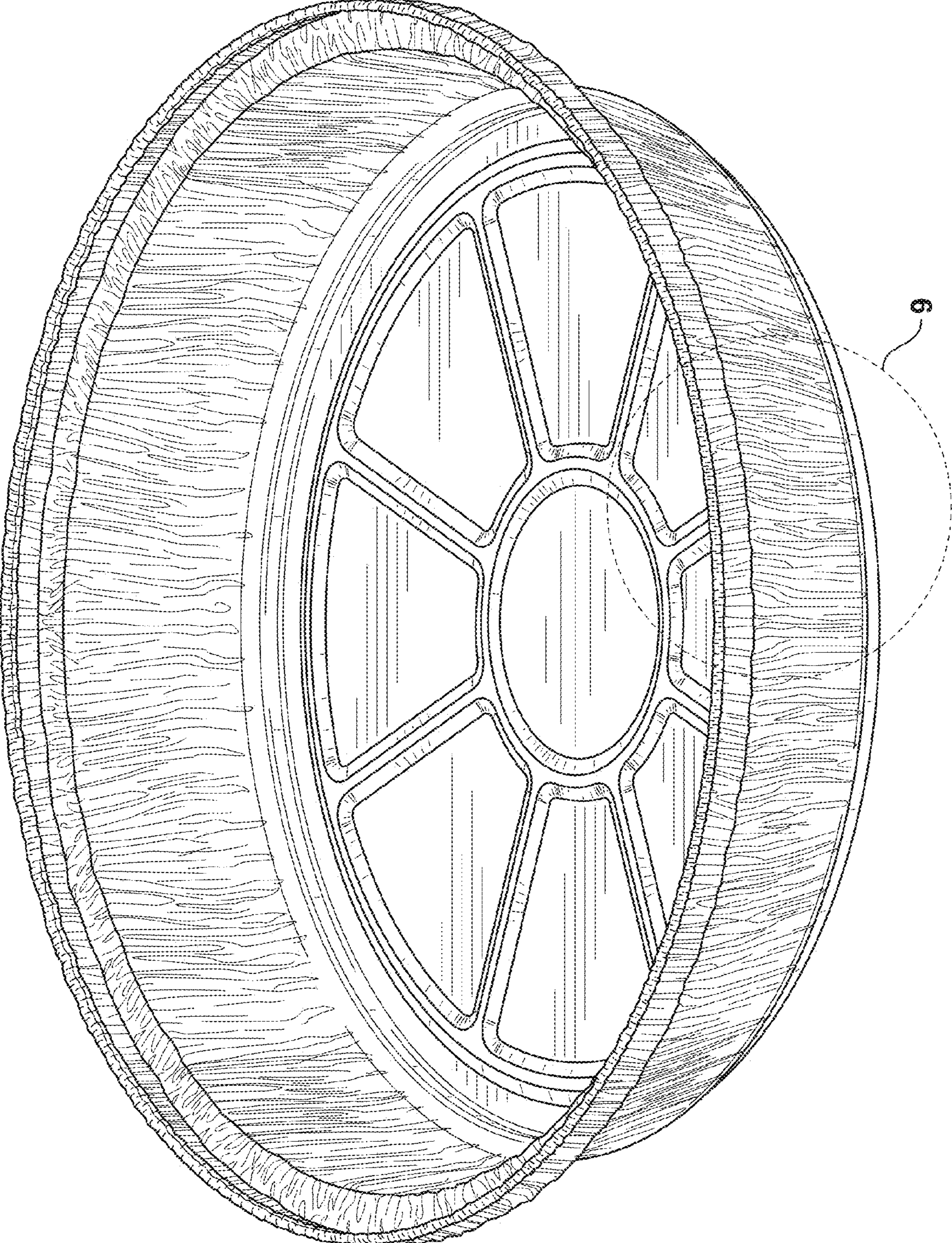


FIG. 1

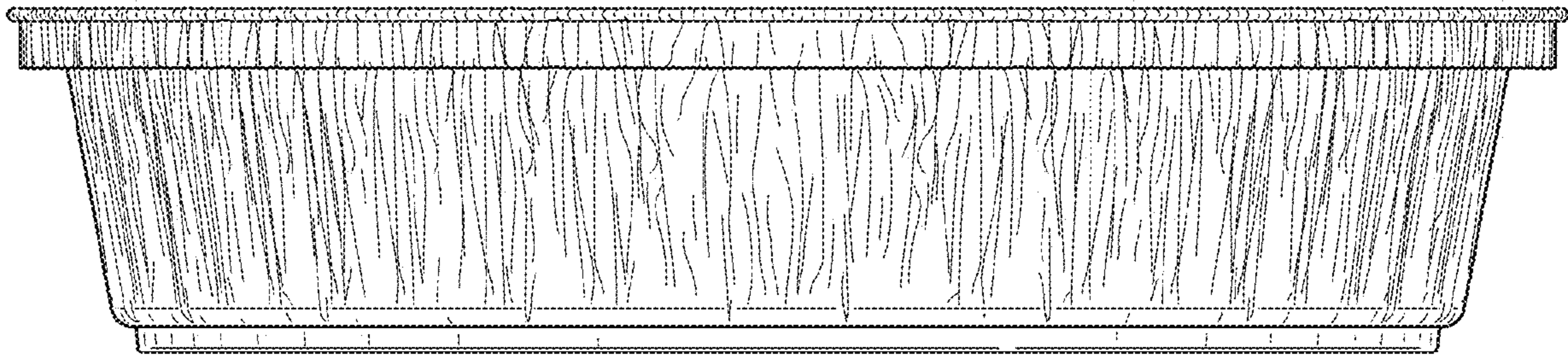


FIG. 2

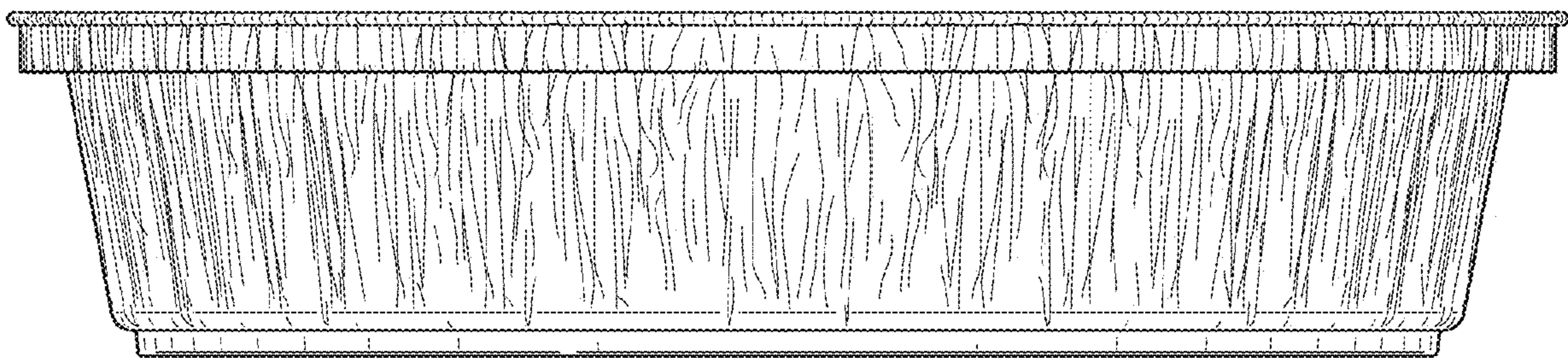


FIG. 3

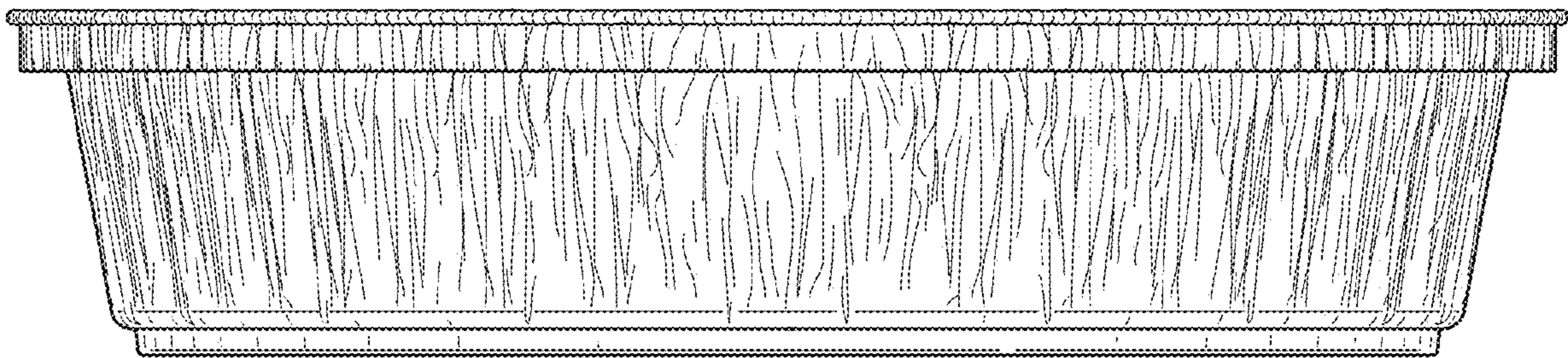


FIG. 4

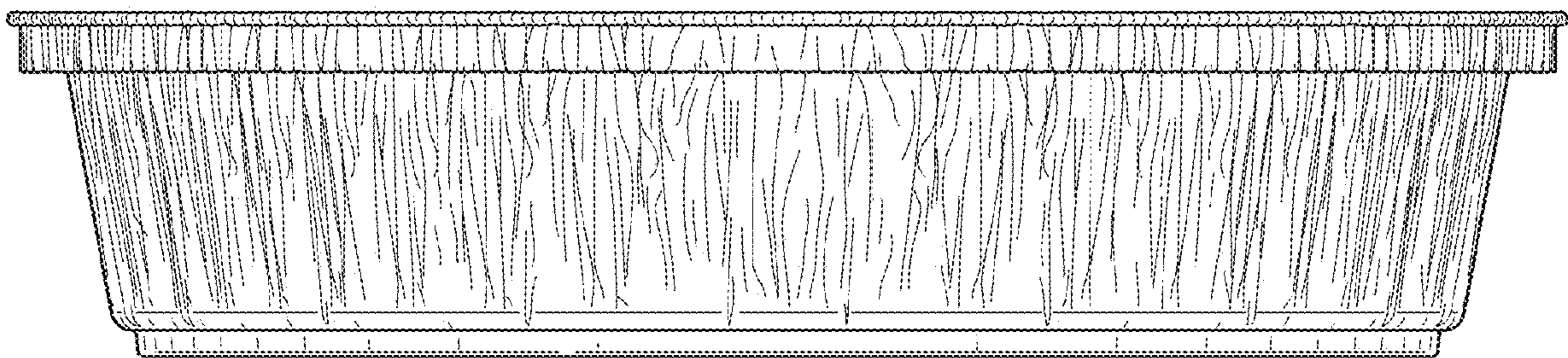


FIG. 5

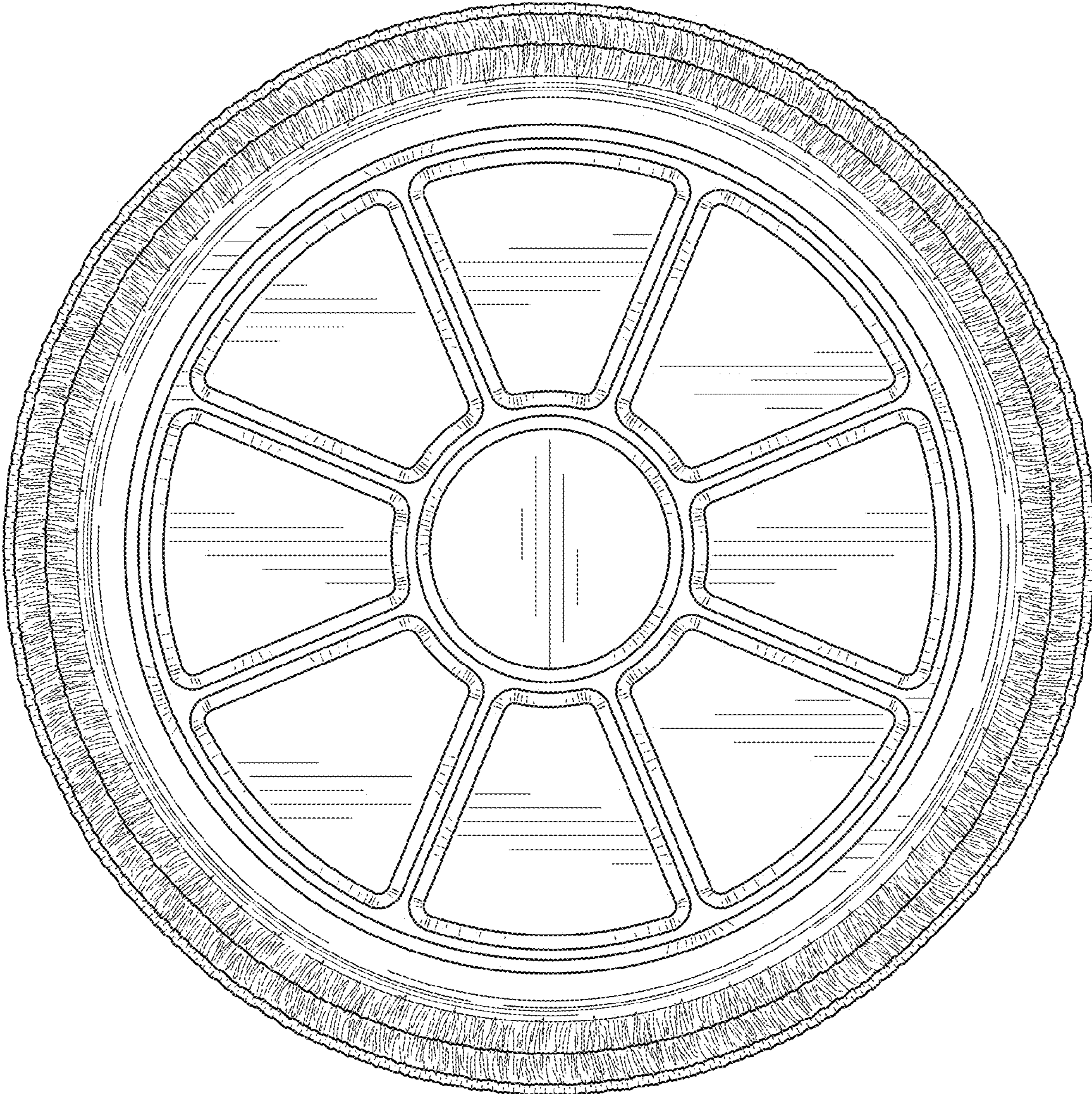


FIG. 6

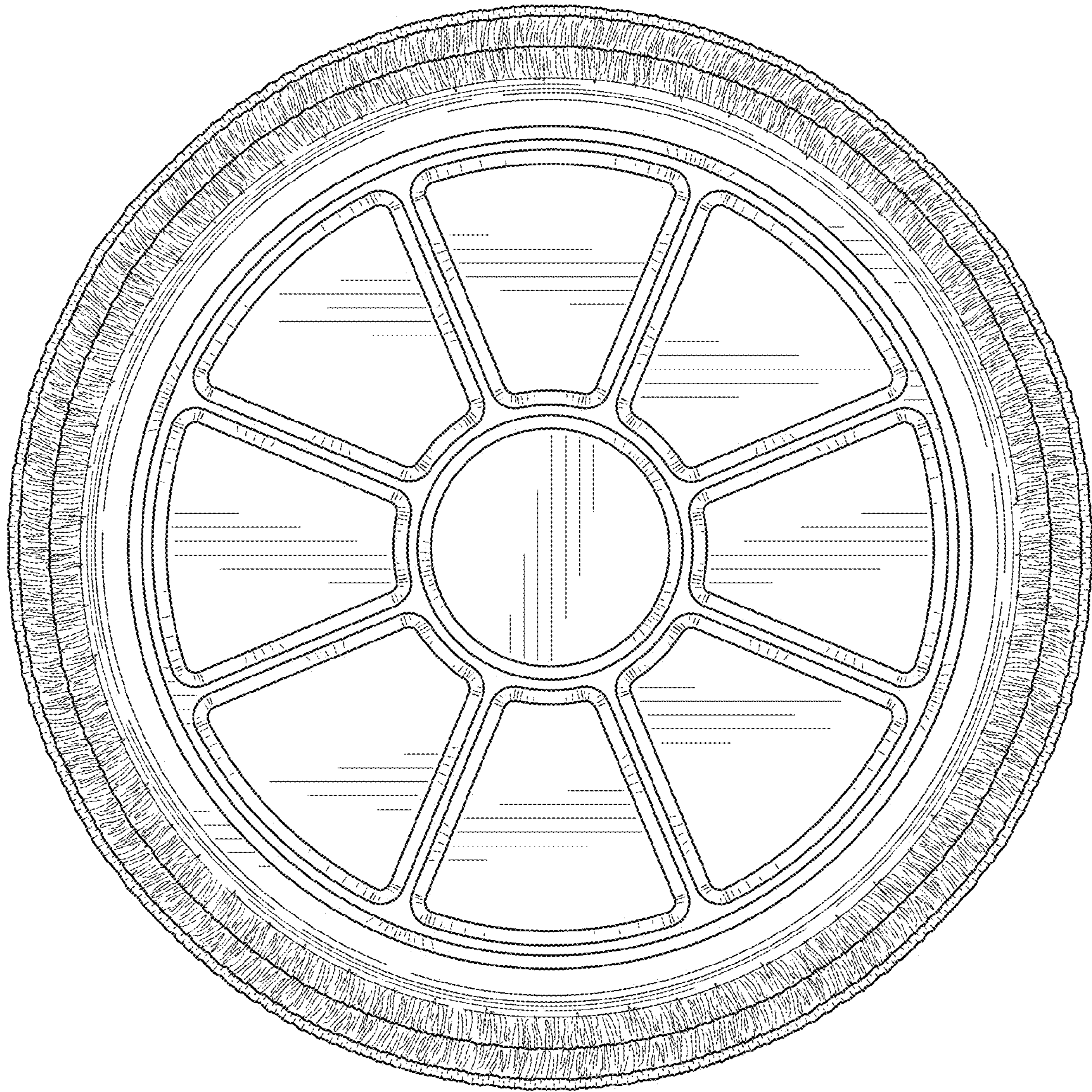


FIG. 7

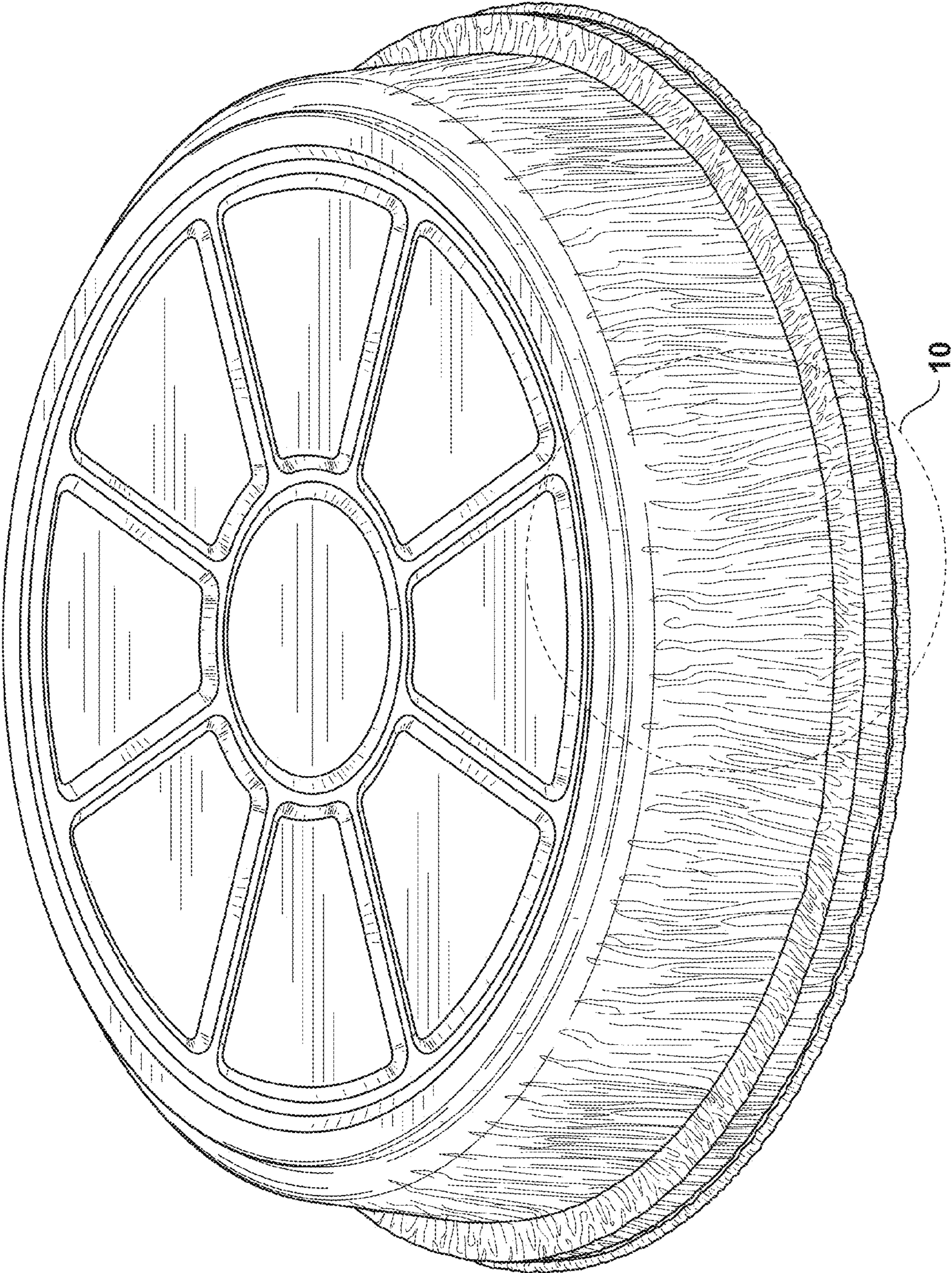


FIG. 8

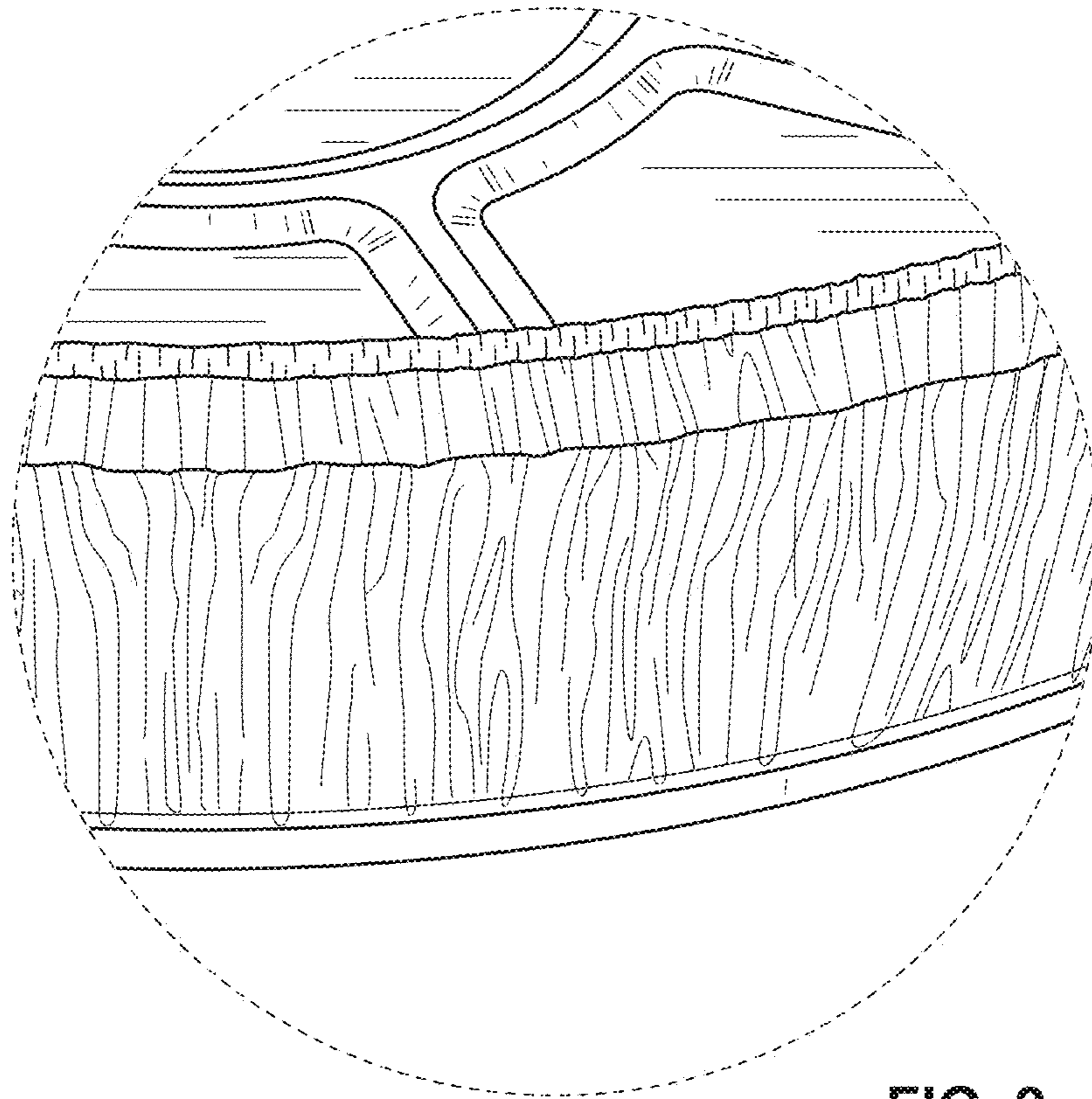


FIG. 9

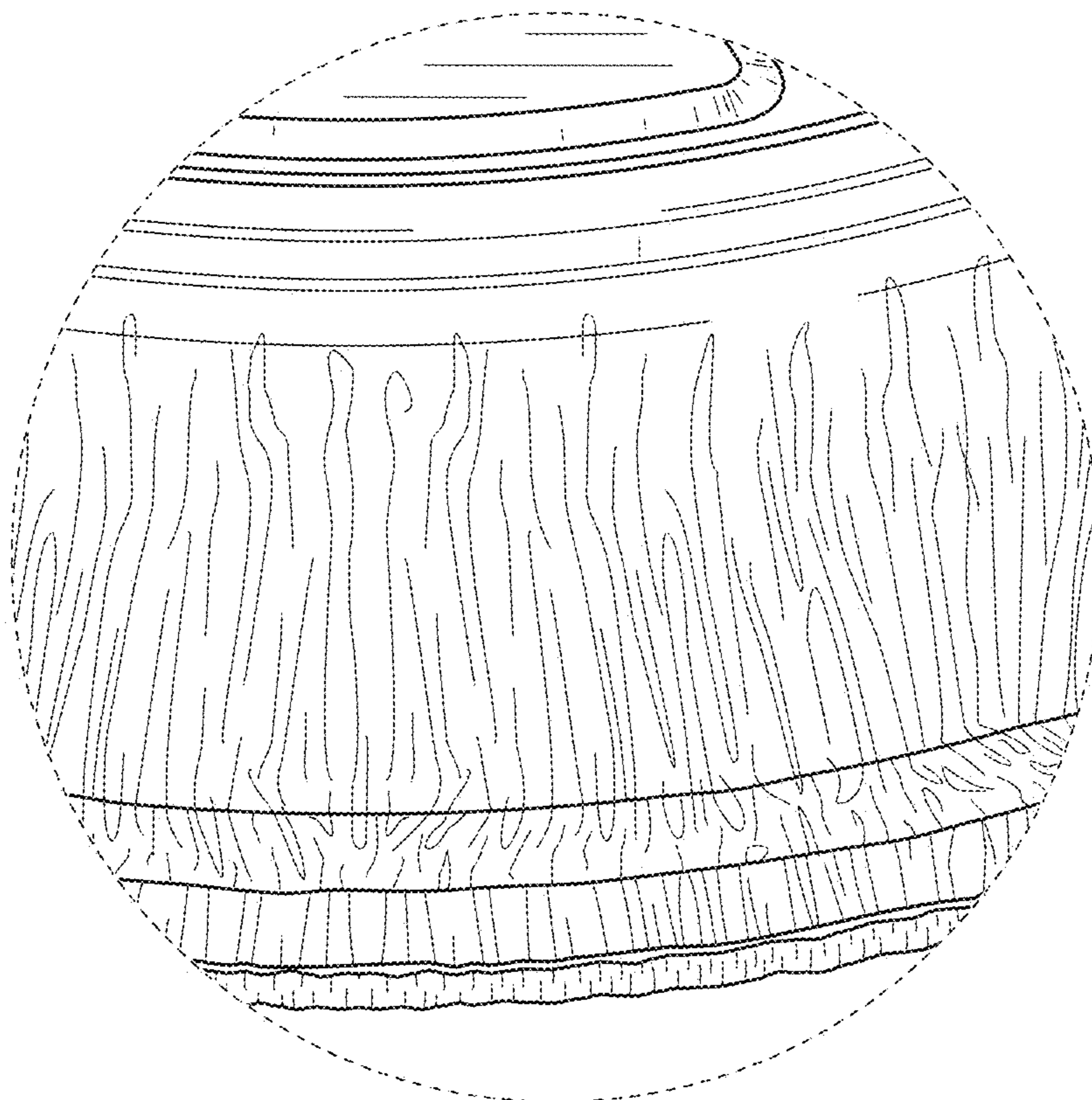


FIG. 10