



US00D915811S

(12) **United States Design Patent** (10) **Patent No.:** **US D915,811 S**  
**Kumazawa** (45) **Date of Patent:** **\*\* Apr. 13, 2021**

- (54) **CHAIR**
- (71) Applicant: **AICHI CO., LTD.**, Nagoya (JP)
- (72) Inventor: **Taku Kumazawa**, Nagoya (JP)
- (73) Assignee: **AICHI CO., LTD.**, Nagoya (JP)
- (\*\*) Term: **15 Years**
- (21) Appl. No.: **29/700,393**
- (22) Filed: **Aug. 1, 2019**

D214,267 S \* 5/1969 Moore et al. .... D6/368  
 D250,374 S 11/1978 Prizlow et al.  
 D292,149 S 10/1987 Monesi  
 (Continued)

**FOREIGN PATENT DOCUMENTS**

AU 356697 7/2014  
 AU 357131 8/2014  
 (Continued)

**OTHER PUBLICATIONS**

Notice of Allowance for U.S. Appl. No. 35/505,452, dated Sep. 16, 2019, 8 pages.  
 (Continued)

*Primary Examiner* — Mary Ann Calabrese  
 (74) *Attorney, Agent, or Firm* — Withrow & Terranova, P.L.L.C.; Vincent K. Gustafson

**Related U.S. Application Data**

- (62) Division of application No. 35/505,452, filed on Feb. 9, 2018 (U.S. filing date under 35 U.S.C. 384), and having an international filing date of Feb. 9, 2018, now Pat. No. Des. 873,579.

**Foreign Application Priority Data**

- (30) Aug. 18, 2017 (JP) ..... 2017-017716

- (51) **LOC (13) Cl.** ..... **06-06**

- (52) **U.S. Cl.**  
 USPC ..... **D6/716.4**

- (58) **Field of Classification Search**  
 USPC ..... D6/334, 367-369, 376, 379, 380, 702, D6/716, 716.1, 716.2, 716.4  
 CPC .... A47C 3/00; A47C 3/04; A47C 4/00; A47C 5/00; A47C 7/00; A47C 7/02; A47C 7/16; A47C 7/36; A47C 7/40; A47C 9/00  
 See application file for complete search history.

**References Cited**

**U.S. PATENT DOCUMENTS**

D184,855 S 4/1959 Cramer et al.  
 3,080,194 A \* 3/1963 Rowland ..... A47C 4/02  
 297/239  
 3,111,344 A 11/1963 Hoven et al.

(57) **CLAIM**

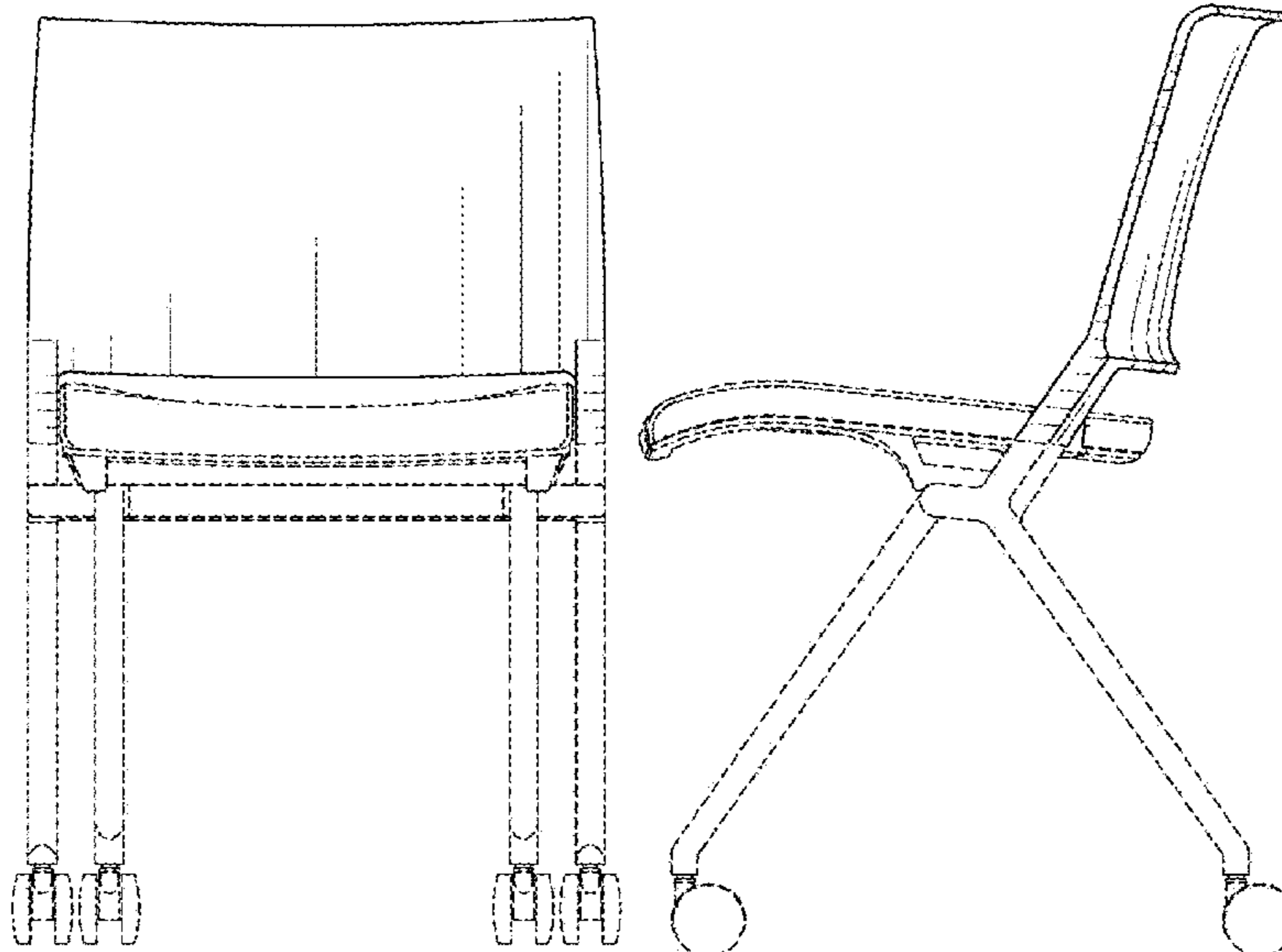
The ornamental design for a chair, as shown and described.

**DESCRIPTION**

FIG. 1 is a front elevational view of a chair showing my design;  
 FIG. 2 is a rear elevational view of the chair;  
 FIG. 3 is a right side elevational view of the chair;  
 FIG. 4 is a top plan view of the chair;  
 FIG. 5 is a bottom plan view of the chair; and,  
 FIG. 6 is a cross-sectional view of the chair taken along line 6-6 in FIG. 4.

The left side elevational view of the chair is omitted because it is a mirror image of the right side elevational view. Throughout the Figures, portions represented by broken lines are not parts of the claimed design; the dot-and-dash lines show the boundaries of the claim and form no part thereof.

**1 Claim, 5 Drawing Sheets**



# US D915,811 S

Page 2

(56)

## References Cited

### U.S. PATENT DOCUMENTS

D298,492 S 11/1988 Ochsner  
D299,192 S 1/1989 Chadwick et al.  
D309,222 S 7/1990 Lubke  
D440,784 S 4/2001 Ambasz  
D597,757 S 8/2009 Barbieri  
D609,488 S 2/2010 Kumazawa  
D617,568 S 6/2010 Kumazawa  
D648,150 S \* 11/2011 Kumazawa ..... D6/373  
D655,933 S \* 3/2012 Kumazawa ..... A47C 4/02  
D669,278 S \* 10/2012 Kumazawa ..... D6/373  
D675,843 S \* 2/2013 Kumazawa ..... D6/373  
D710,638 S 8/2014 Bellini  
D756,140 S 5/2016 Kumazawa  
D770,823 S 11/2016 Kumazawa  
D805,338 S 12/2017 Nakamura et al.  
D853,143 S \* 7/2019 Kumazawa ..... A47C 5/08  
D873,579 S \* 1/2020 Kumazawa ..... D6/380

2010/0176646 A1 7/2010 Rowland et al.  
2015/0282622 A1 10/2015 Kumazawa  
2019/0274431 A1\* 9/2019 Kumazawa ..... A47C 5/08

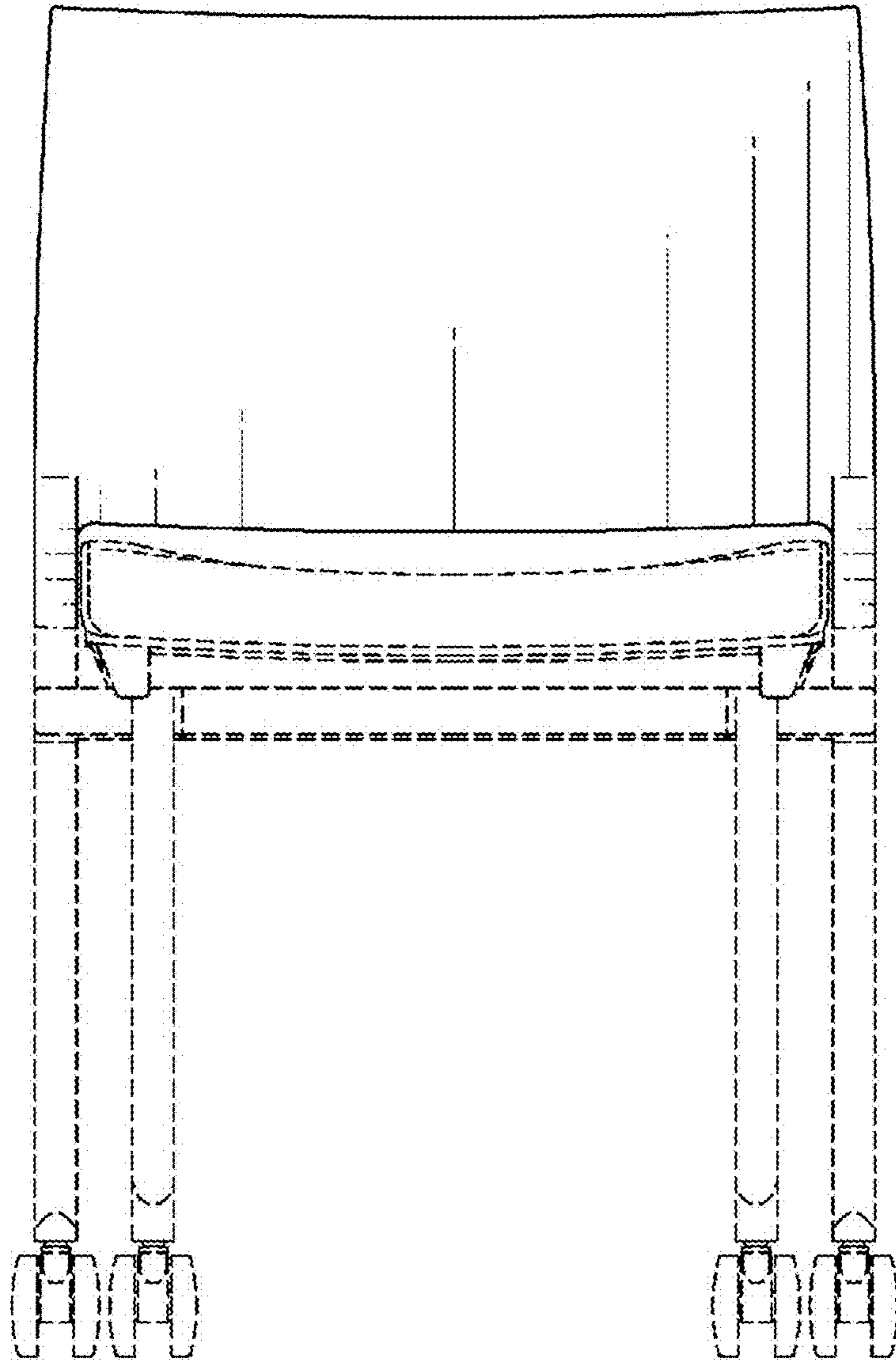
### FOREIGN PATENT DOCUMENTS

CN 302978486 S 10/2014  
EM 002478891-0001 6/2014  
EM 002478891-0002 6/2014  
EM 002478891-0003 6/2014  
JP 1513193 S 11/2017  
JP 1513196 S 11/2017  
JP 1513458 S 11/2017

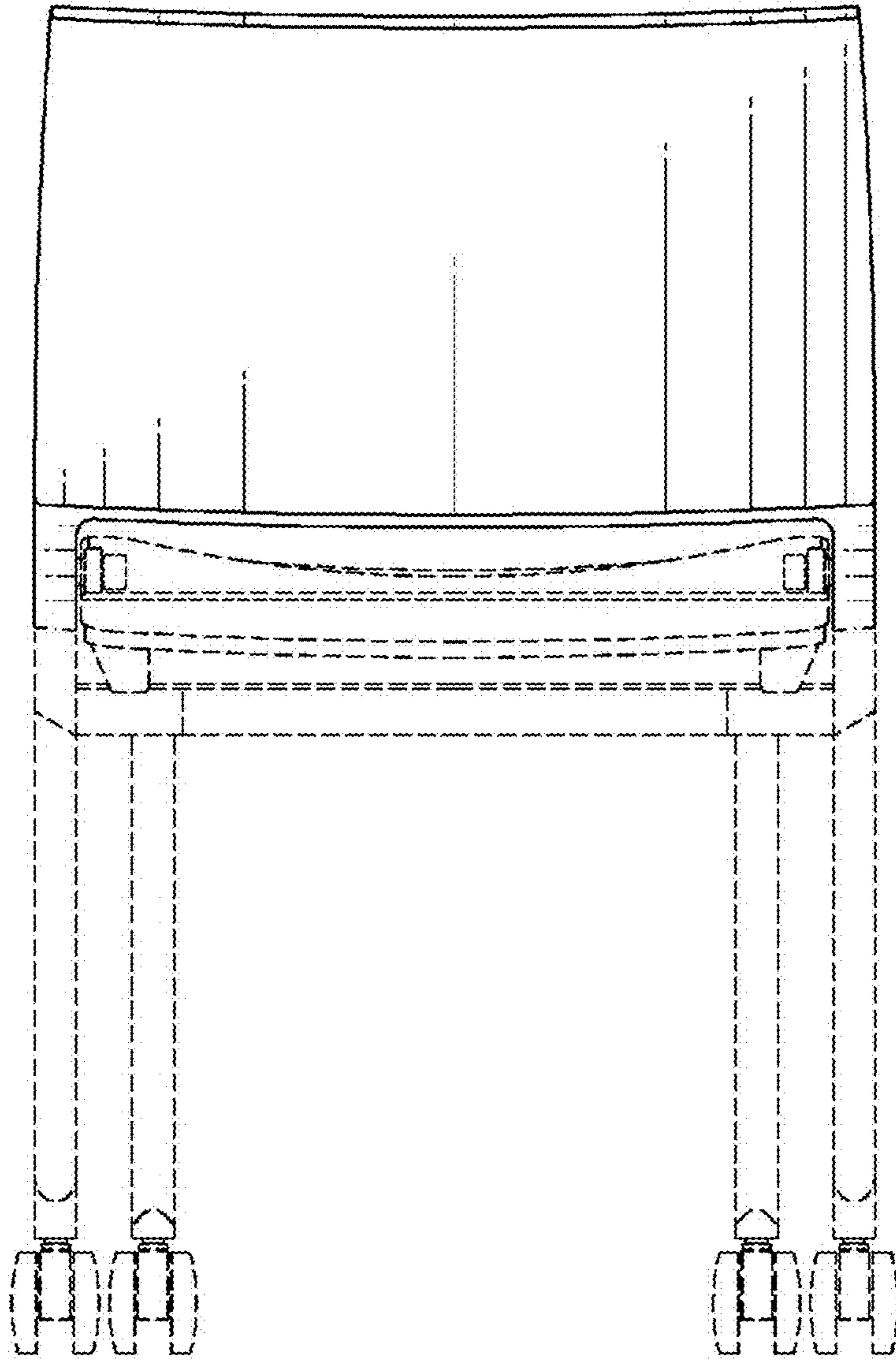
### OTHER PUBLICATIONS

Restriction Requirement for U.S. Appl. No. 35/505,452, dated May 31, 2019, 7 pages.  
Quayle Action for U.S. Appl. No. 29/700,395, dated Sep. 25, 2020, 6 pages.

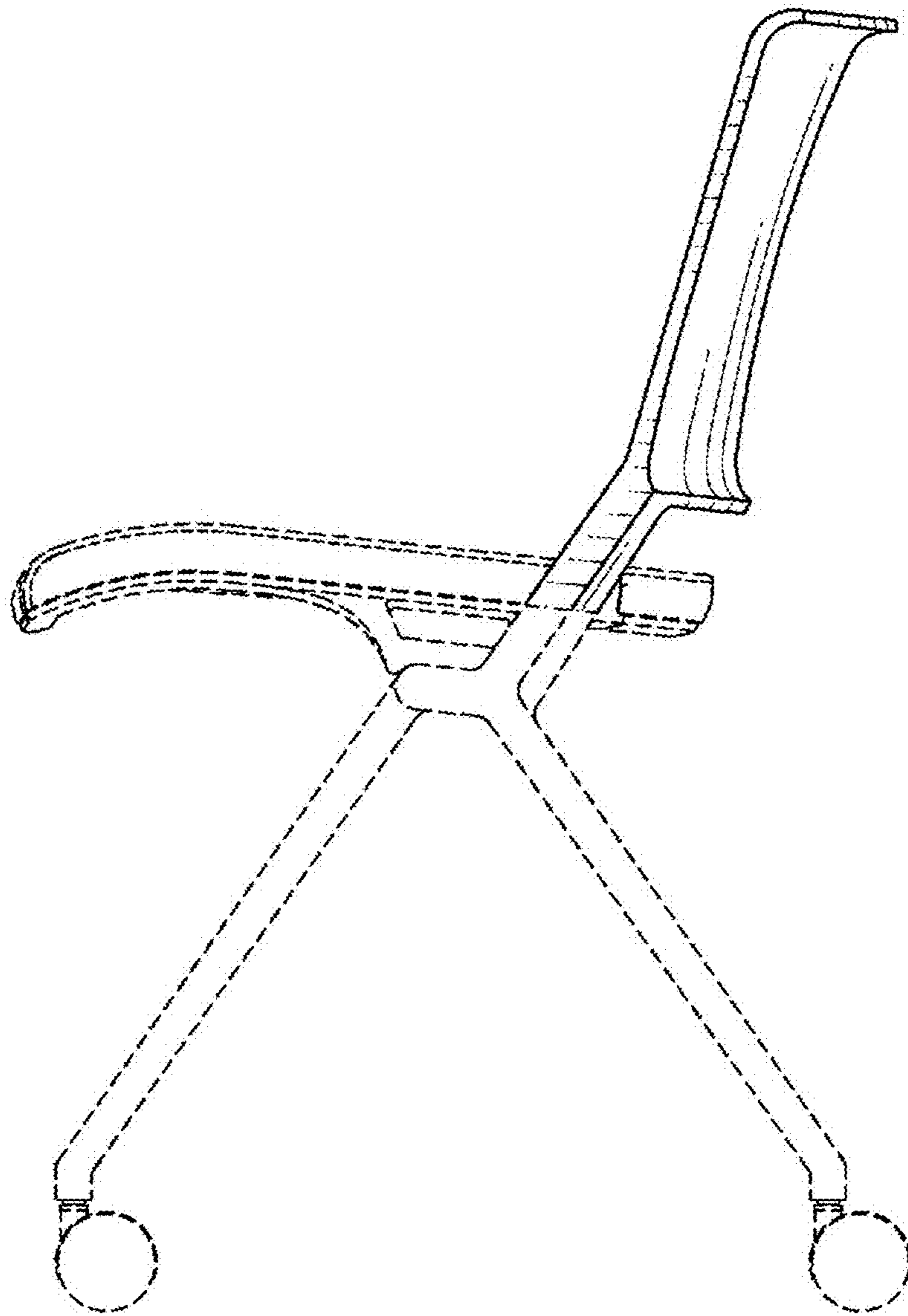
\* cited by examiner



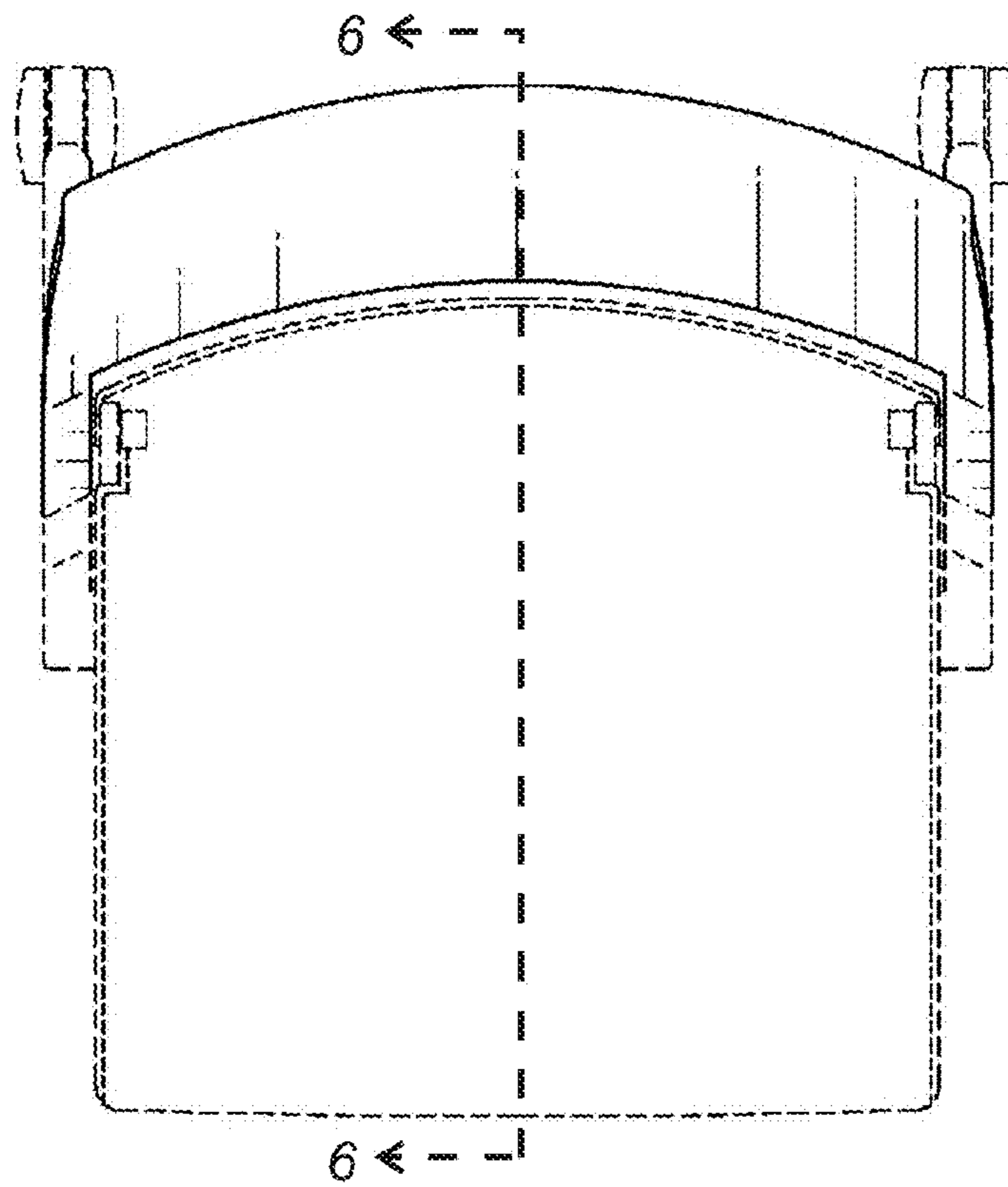
**FIG. 1**



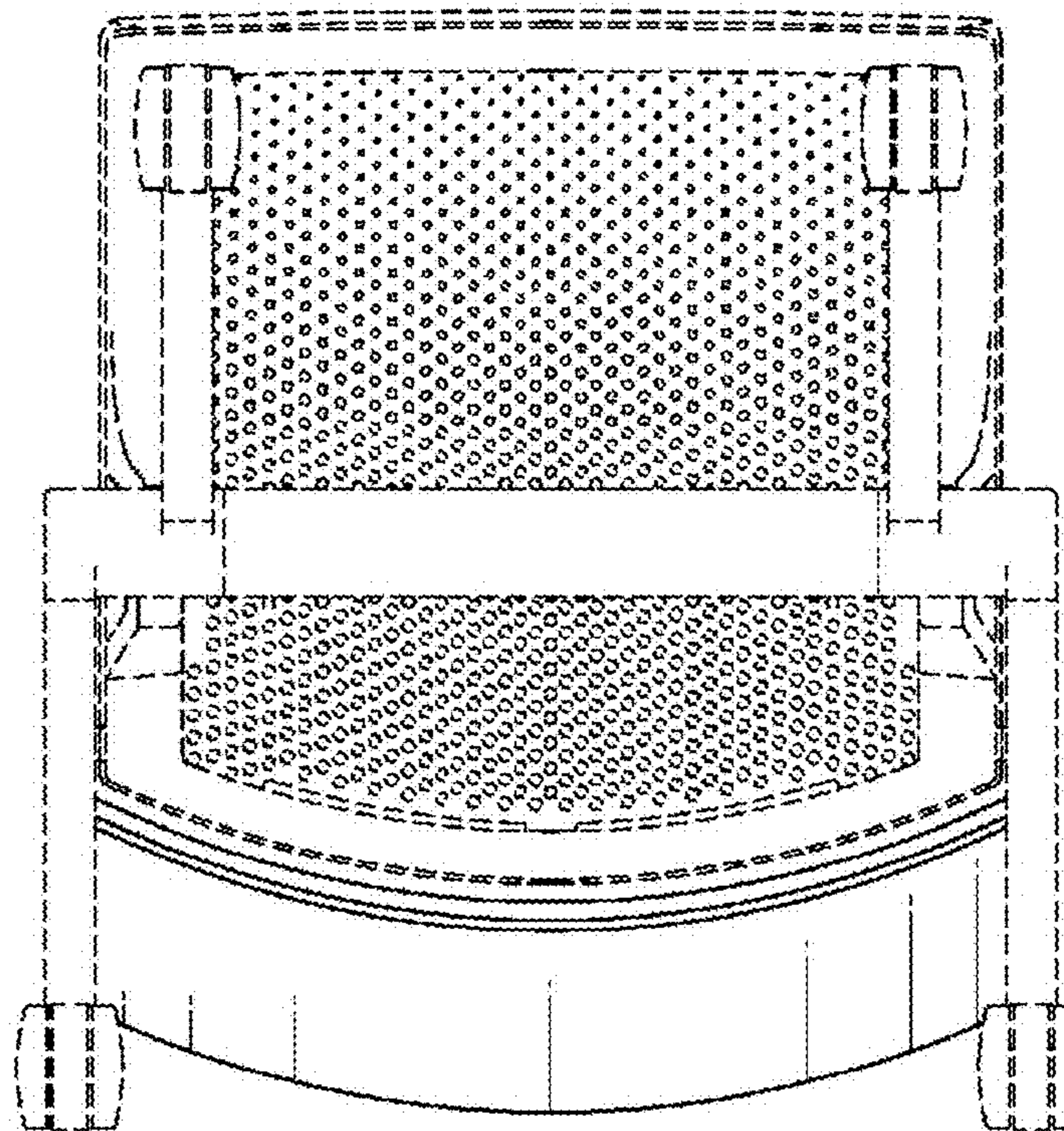
**FIG. 2**



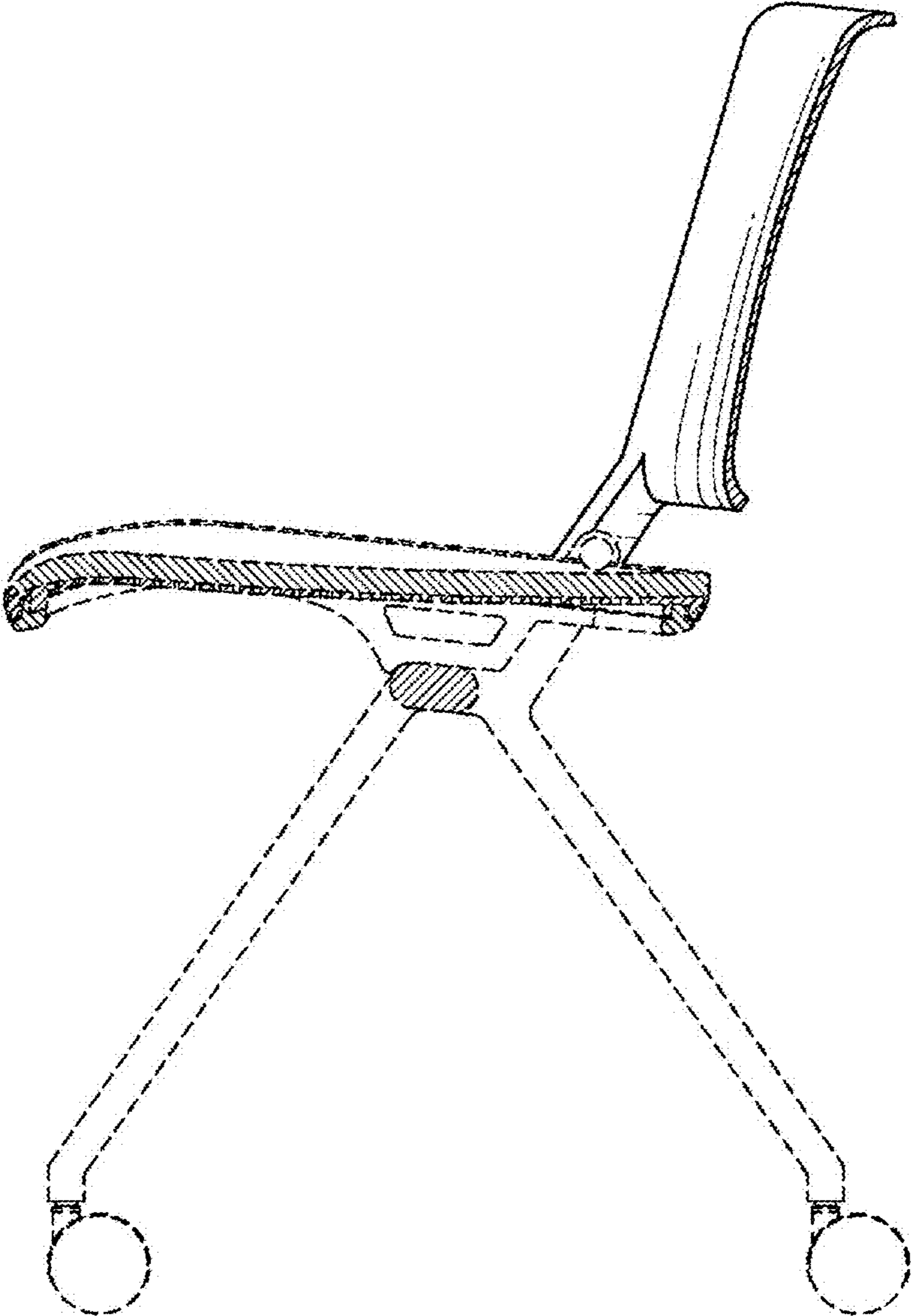
**FIG. 3**



**FIG. 4**



**FIG. 5**



**FIG. 6**