



US00D915810S

(12) **United States Design Patent**
Pan

(10) **Patent No.:** **US D915,810 S**

(45) **Date of Patent:** **** Apr. 13, 2021**

- (54) **FOOT OF TABLE**
- (71) Applicant: **Oasyschair Co., Ltd.**, Tainan (TW)
- (72) Inventor: **Toung-Chun Pan**, Tainan (TW)
- (73) Assignee: **Oasyschair Co., Ltd.**, Tainan (TW)
- (**) Term: **15 Years**
- (21) Appl. No.: **29/689,427**
- (22) Filed: **Apr. 30, 2019**
- (51) **LOC (13) Cl.** **06-06**
- (52) **U.S. Cl.**
USPC **D6/710; D6/709**
- (58) **Field of Classification Search**
USPC D6/641, 642, 656.14, 656.16, 656.17,
D6/685, 686, 691.5, 702, 708, 708.16,
D6/708.22, 709, 709.2, 710
CPC A47B 1/00; A47B 1/02; A47B 3/00; A47B
3/0803; A47B 3/0815; A47B 9/00; A47B
9/20; A47B 17/00; A47B 17/08; A47B
41/02; A47B 91/00; A47B 91/005; A47B
91/02; F16M 11/20; F16M 11/28; F16M
2200/08
See application file for complete search history.

- D492,505 S * 7/2004 Newhouse A47B 3/0803
D6/691.5
- D530,543 S * 10/2006 High D6/656.17
- D693,152 S * 11/2013 Yamamoto D6/656.15
- 9,138,051 B2 * 9/2015 Pan A47B 7/02
- 9,642,451 B2 * 5/2017 Okuda A47B 3/08
- D875,449 S * 2/2020 Powell A47B 3/0815
D6/708.2
- 2007/0209559 A1 * 9/2007 Mockel A47B 3/0803
108/115
- 2007/0262545 A1 * 11/2007 Kumazawa A47B 3/0815
280/79.11
- 2019/0365090 A1 * 12/2019 Oakley B60B 33/0078

* cited by examiner

Primary Examiner — Mary Ann Calabrese

(74) *Attorney, Agent, or Firm* — Alan D. Kamrath; Karin L. Williams; Mayer & Williams PC

(57) **CLAIM**

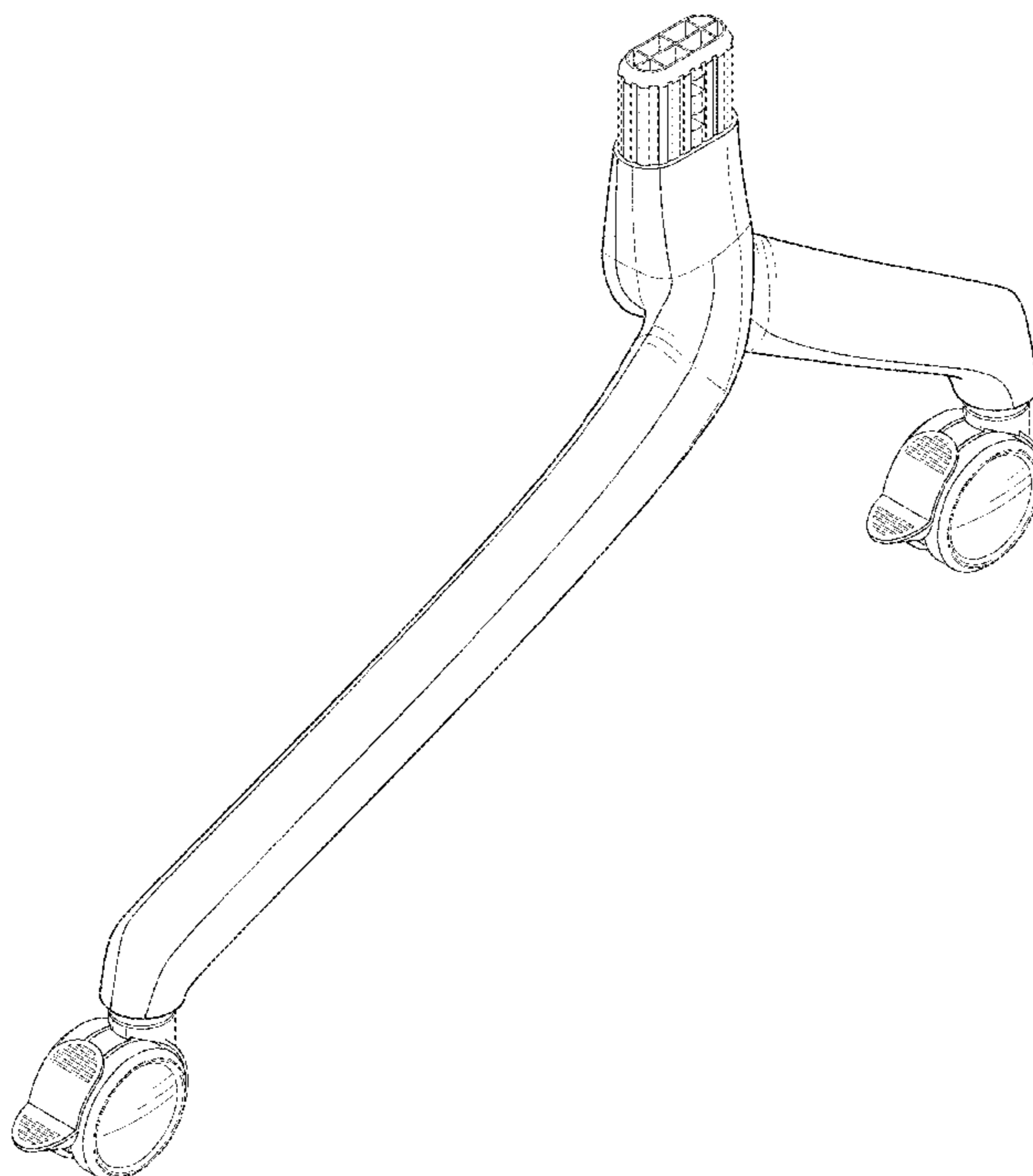
The ornamental design for foot of a table, as shown and described.

DESCRIPTION

FIG. 1 is a front perspective view of foot of a table showing my new design;
 FIG. 2 is a front side elevational view thereof;
 FIG. 3 is a rear side elevational view thereof;
 FIG. 4 is a left side elevational view thereof;
 FIG. 5 is a right side elevational view thereof;
 FIG. 6 is a top plan view thereof;
 FIG. 7 is a bottom plan view thereof; and,
 FIG. 8 is a rear perspective view of a foot of a table.
 The dashed broken lines in the figures show portions of the foot a of table that form no part of the claimed design.

1 Claim, 6 Drawing Sheets

- (56) **References Cited**
U.S. PATENT DOCUMENTS
3,690,608 A * 9/1972 Poizner F16M 11/28
248/371
D444,325 S * 7/2001 DeJule F16M 11/28
D6/709
6,336,414 B1 * 1/2002 Stewart A47B 3/0815
108/115



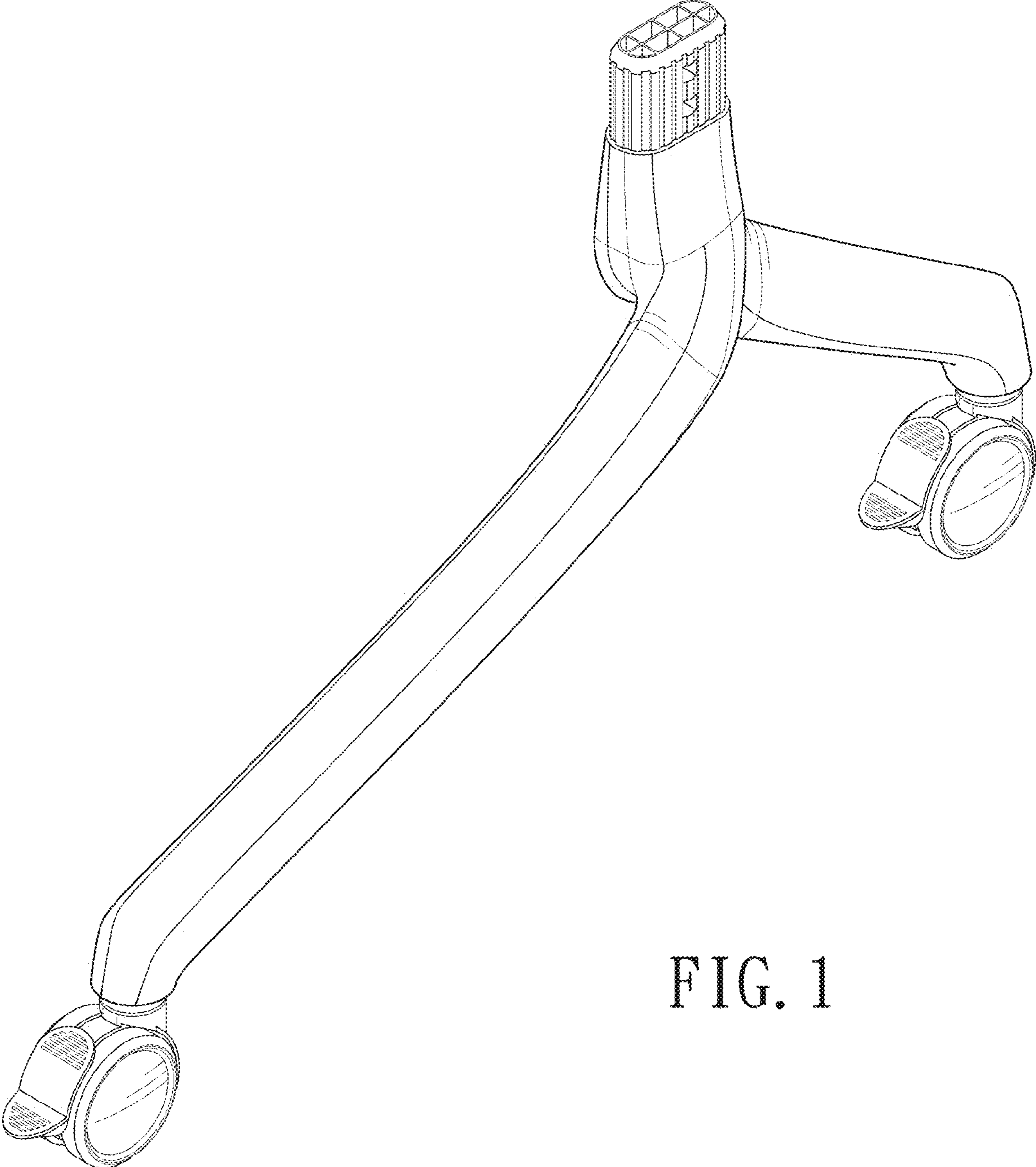


FIG. 1

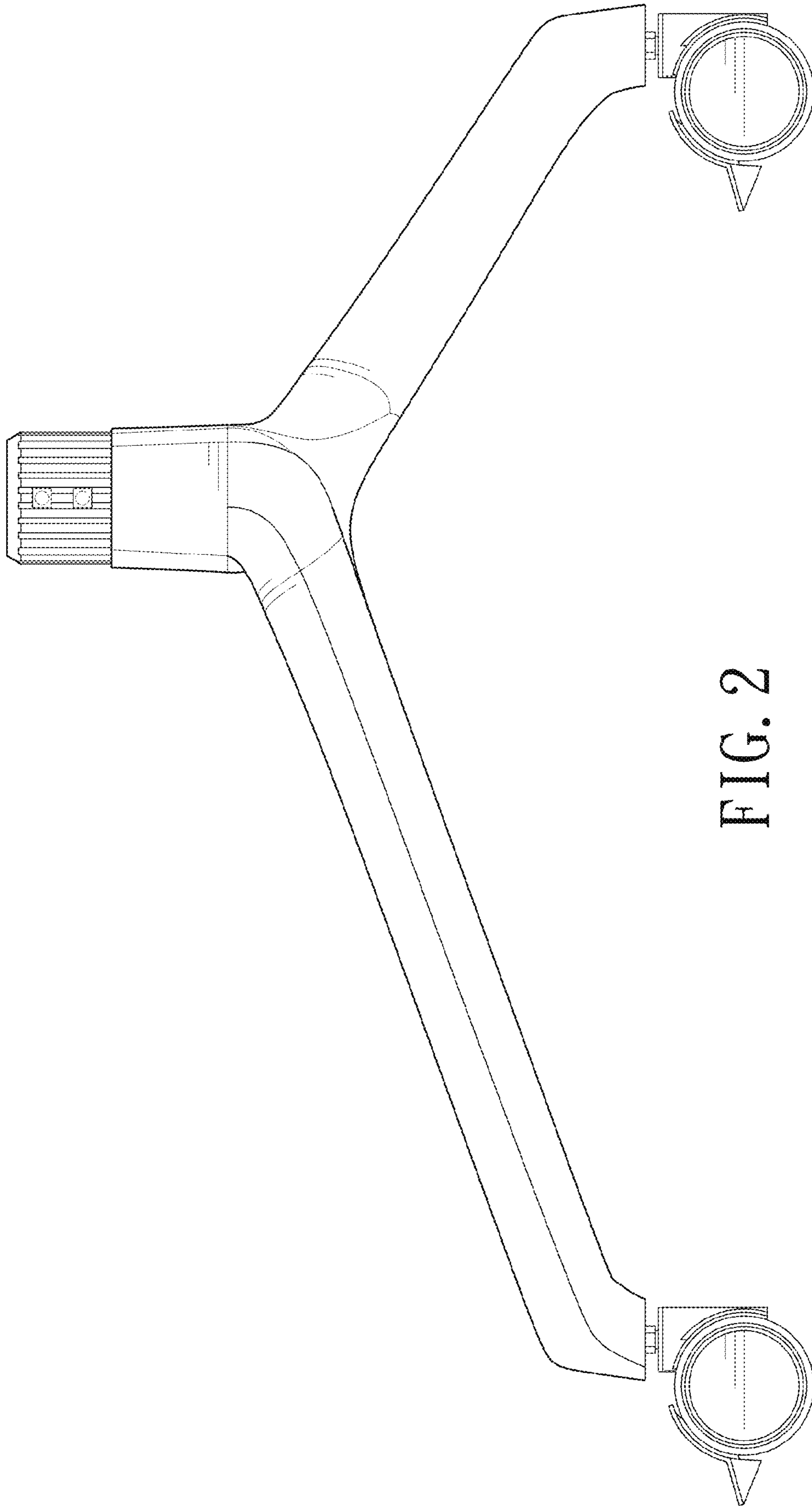


FIG. 2

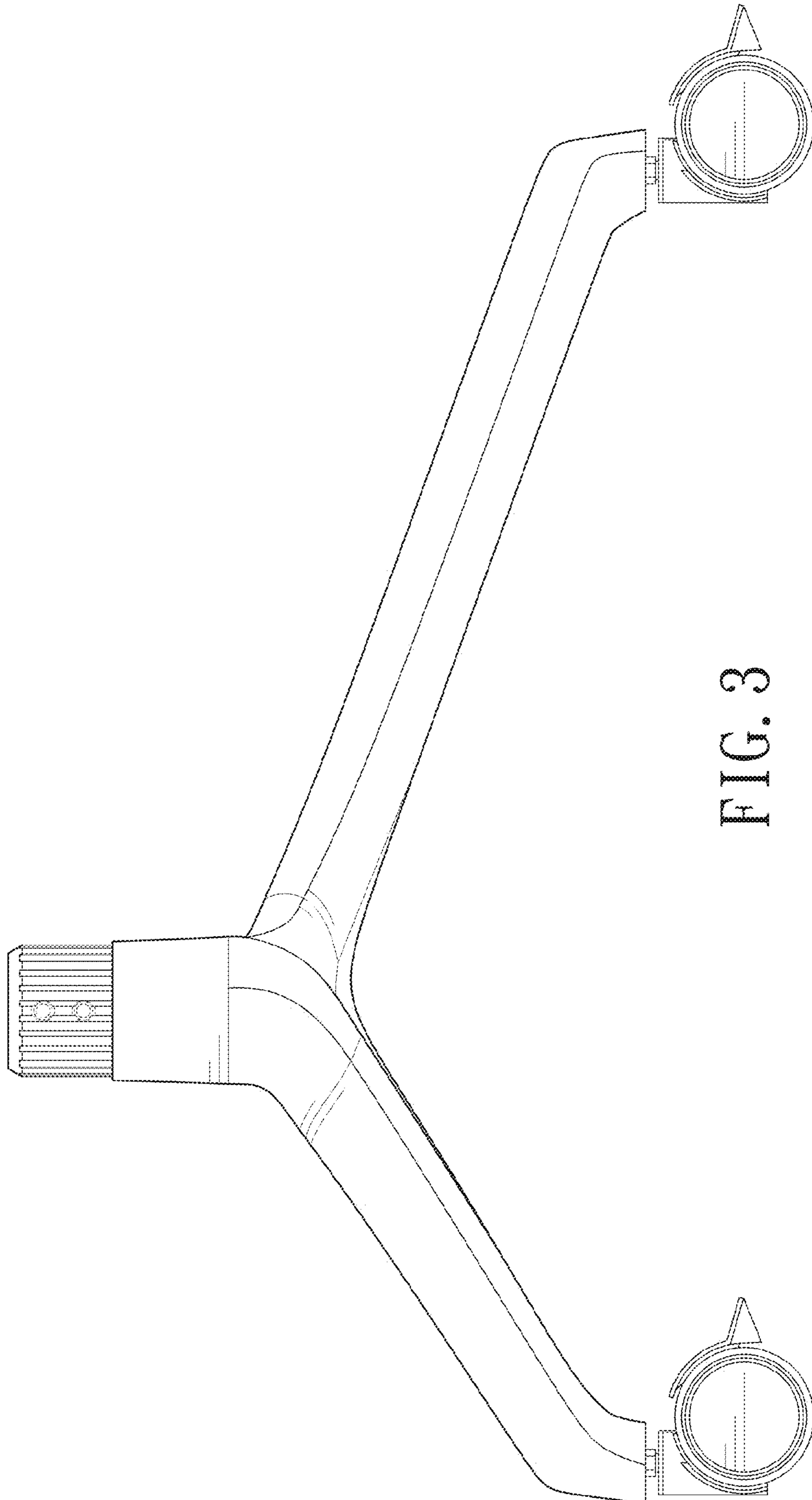


FIG. 3

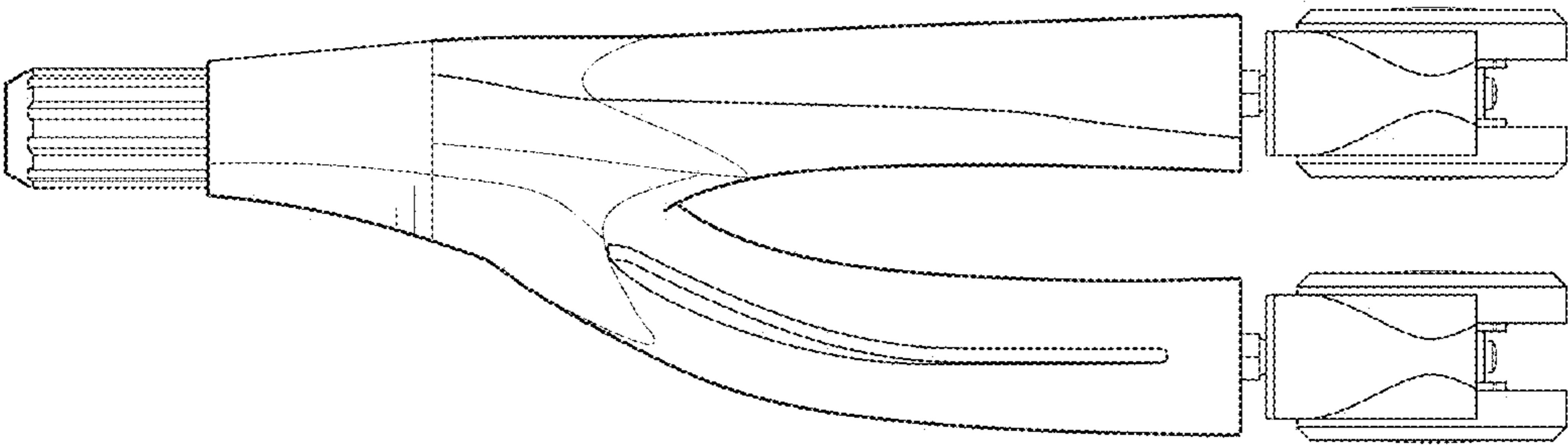


FIG. 5

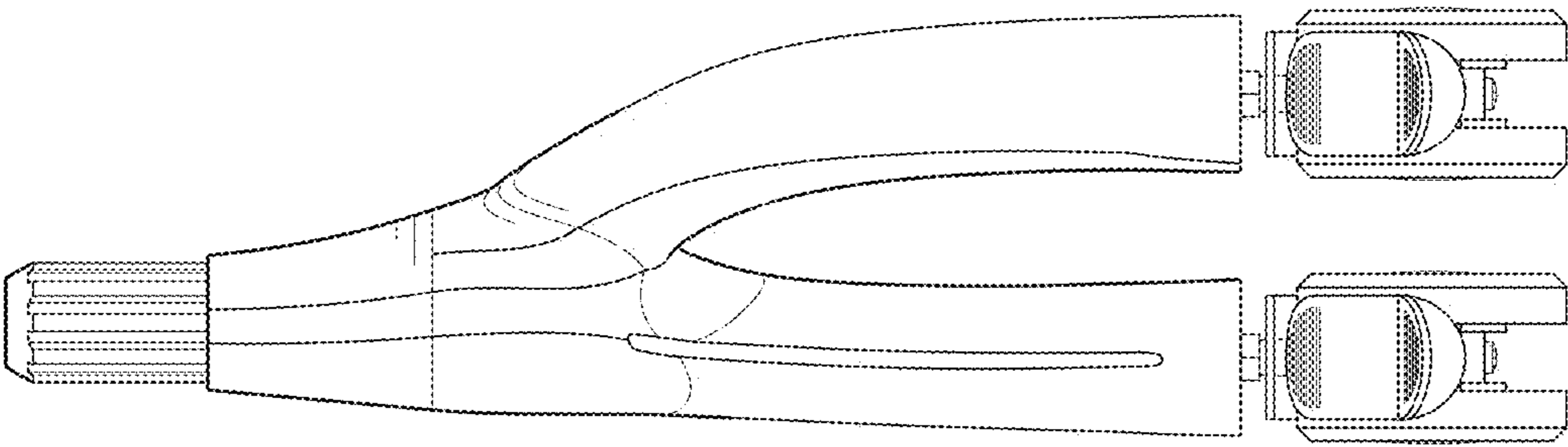


FIG. 4

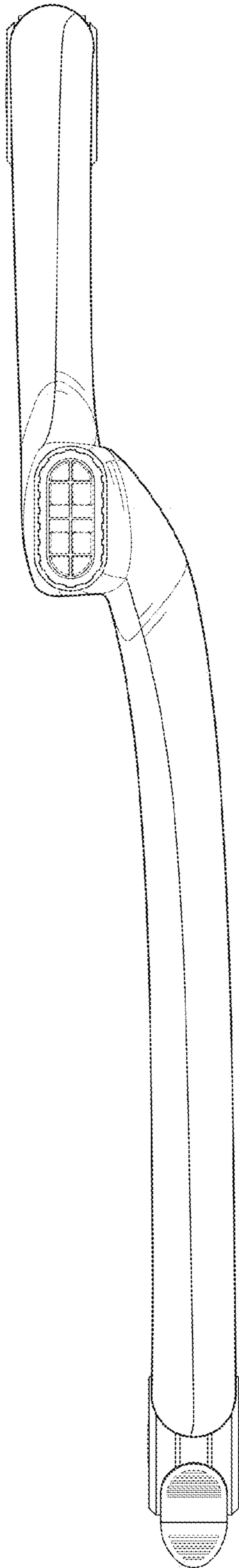


FIG. 6

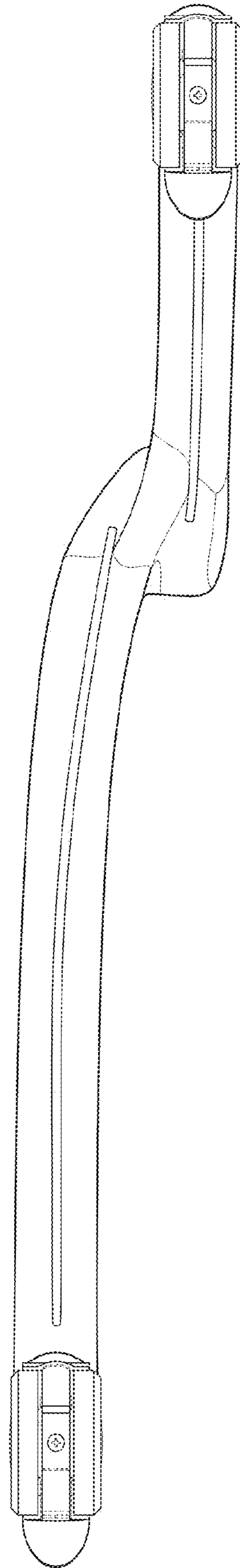


FIG. 7

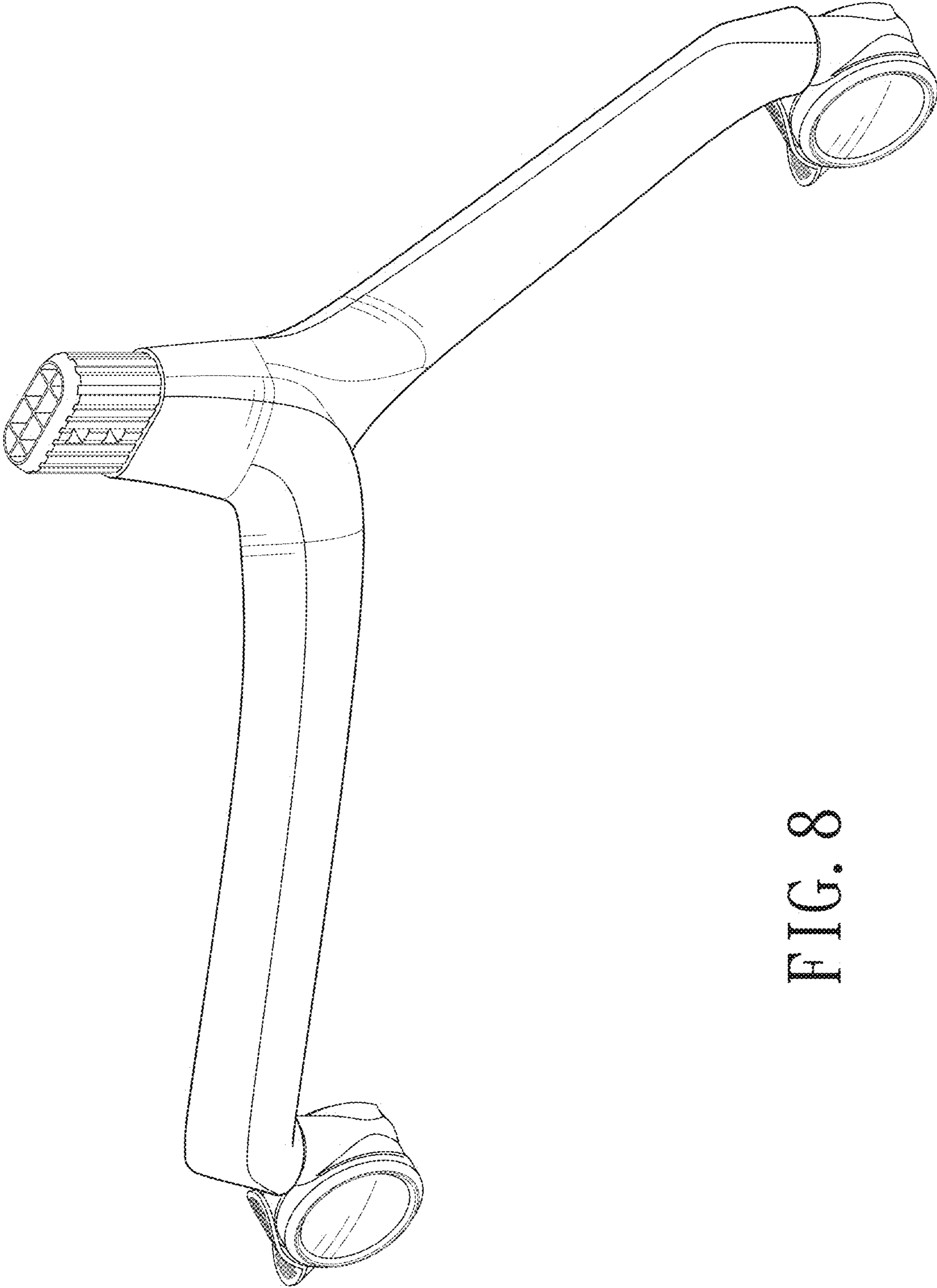


FIG. 8