



US00D915809S

(12) **United States Design Patent** (10) **Patent No.:** **US D915,809 S**  
**Ko** (45) **Date of Patent:** **\*\* Apr. 13, 2021**

(54) **TABLE BASE**

(71) Applicant: **Wen-Shan Ko**, Lugang Township,  
Changhua County (TW)

(72) Inventor: **Wen-Shan Ko**, Lugang Township,  
Changhua County (TW)

(\*\*) Term: **15 Years**

(21) Appl. No.: **29/668,919**

(22) Filed: **Nov. 2, 2018**

(51) **LOC (13) Cl.** ..... **06-06**

(52) **U.S. Cl.**  
USPC ..... **D6/708**

(58) **Field of Classification Search**  
USPC ..... D6/647, 656, 656.13, 656.16, 656.17,  
D6/691, 708, 709, 709.21, 713  
CPC ..... A47B 3/0911; B25H 1/02  
See application file for complete search history.

(56) **References Cited**

**U.S. PATENT DOCUMENTS**

D288,880 S *	3/1987	Favaretto .....	D6/691
4,714,028 A *	12/1987	Uredat-Neuhoff .....	A47B 9/00 108/138
D295,474 S *	5/1988	Uredat-Neuhoff .....	D6/656.16
D336,394 S *	6/1993	Ball .....	D6/656.13
D367,193 S *	2/1996	Dame .....	D6/708
D399,683 S *	10/1998	Nicklas .....	D6/656.16
D422,813 S *	4/2000	Kane .....	D6/709.21
D423,832 S *	5/2000	Kane .....	D6/709.21
6,401,631 B1 *	6/2002	Kane .....	A47B 3/0911 108/116
D506,091 S *	6/2005	Cioncada .....	D6/656
D507,902 S *	8/2005	Cioncada .....	D6/647
D626,767 S *	11/2010	Lucci .....	D6/708
D681,979 S *	5/2013	Keen .....	D6/691
D695,557 S *	12/2013	Carretta .....	D6/708
8,826,829 B2 *	9/2014	Taylor .....	A47C 9/06 108/34

D876,861 S *	3/2020	Pei .....	D6/656.17
D878,814 S *	3/2020	Peng .....	D6/656
D882,988 S *	5/2020	Hu .....	D6/656.17
D889,169 S *	7/2020	Hu .....	D6/656.16
2012/0119428 A1 *	5/2012	Kirchgessner .....	B25H 1/02 269/289 R
2018/0206630 A1 *	7/2018	Chang .....	A47B 13/081

(Continued)

**OTHER PUBLICATIONS**

“Safco Products Studio Writing Desk.” Found online Aug. 27, 2020 at www.amazon.com. Product first available Jan. 21, 2015. Retrieved from URL: <https://tinyurl.com/y6thw3k5> (Year: 2015).\*

(Continued)

*Primary Examiner* — Mary Ann Calabrese  
*Assistant Examiner* — Katelin G Kloberg

(74) *Attorney, Agent, or Firm* — Muncy, Geissler, Olds & Lowe, P.C.

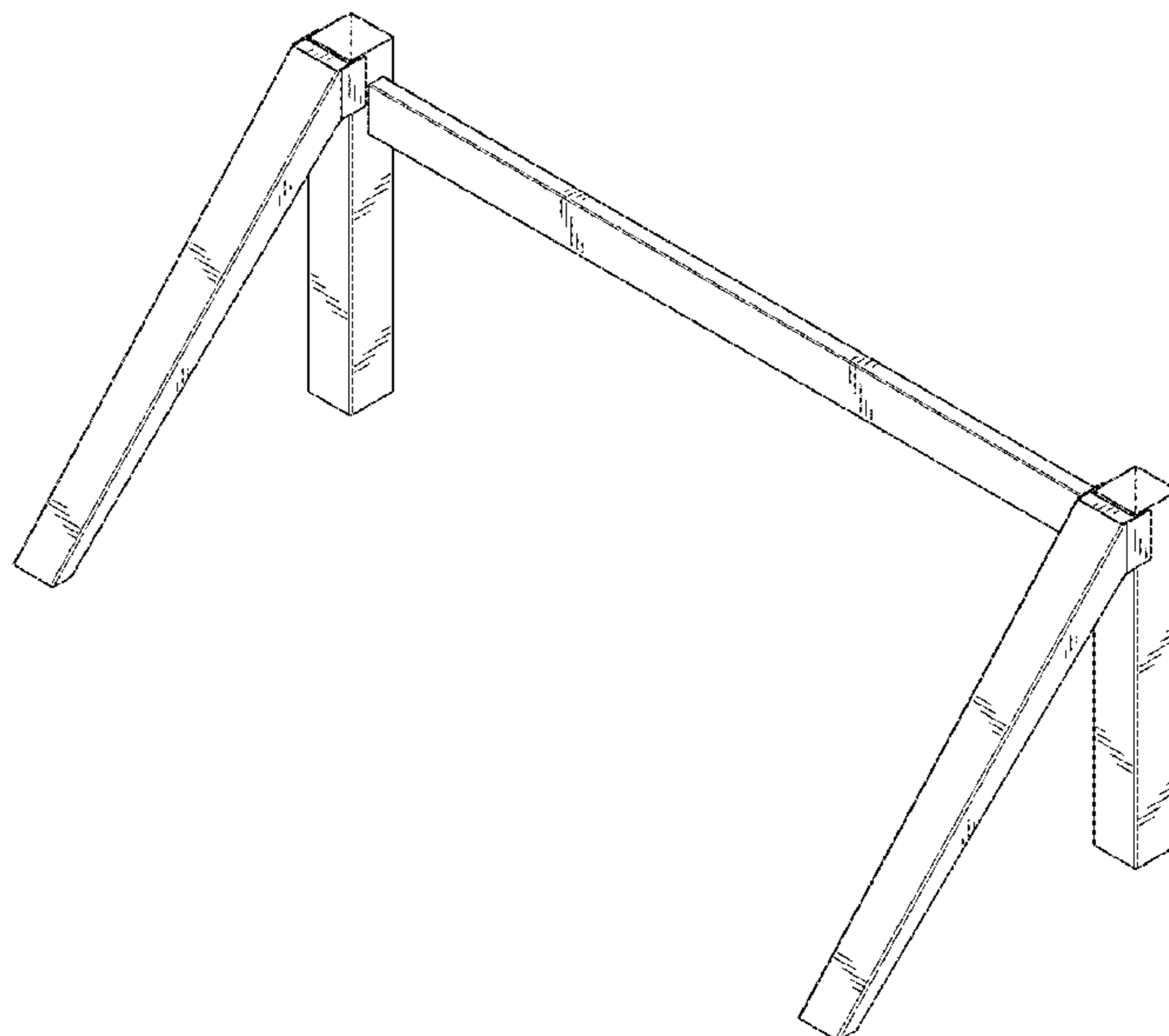
(57) **CLAIM**

The ornamental design for a table base, as shown and described.

**DESCRIPTION**

FIG. 1 is a perspective view of a table base, showing my new design;  
FIG. 2 is a front view thereof;  
FIG. 3 is a rear view thereof;  
FIG. 4 is a left side view thereof;  
FIG. 5 is a right side view thereof;  
FIG. 6 is a top view thereof;  
FIG. 7 is a bottom view thereof; and,  
FIG. 8 is a perspective view of a table base, shown within an environment of use.  
The broken lines shown in the drawings illustrate environmental subject matter that form no part of the claimed design.

**1 Claim, 7 Drawing Sheets**



(56)

**References Cited**

U.S. PATENT DOCUMENTS

2019/0039157 A1\* 2/2019 Hanrahan ..... B25H 1/12  
2020/0221862 A1\* 7/2020 Ko ..... A47B 3/0911

OTHER PUBLICATIONS

“Ladder Desk Student Computer Laptop Desk.” Found online Aug. 27, 2020 at [www.amazon.com](http://www.amazon.com). Product first available Jan. 2, 2020. Retrieved from URL: <https://www.amazon.com/Ladder-Student-Computer-Laptop-Industrial/dp/B083DMFB6L?th=1> (Year: 2020).\*

“MDEPYCO 2 Pack Industrial Rustic Furniture Legs.” Found online Aug. 27, 2020 at [www.amazon.com](http://www.amazon.com). Product first available Jun. 21, 2020. Retrieved from URL: <https://tinyurl.com/yxlohzijd> (Year: 2020).\*

\* cited by examiner

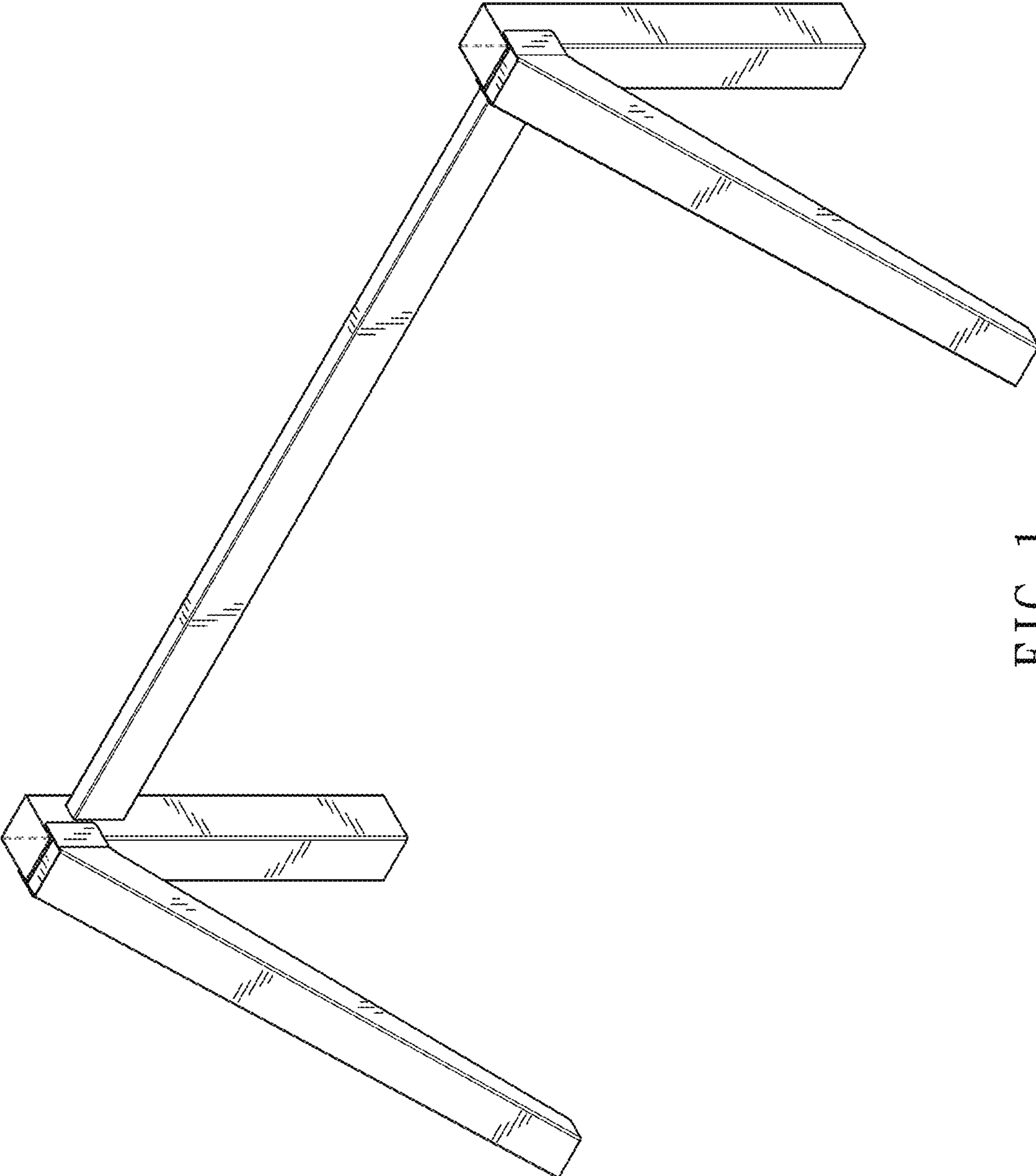


FIG. 1

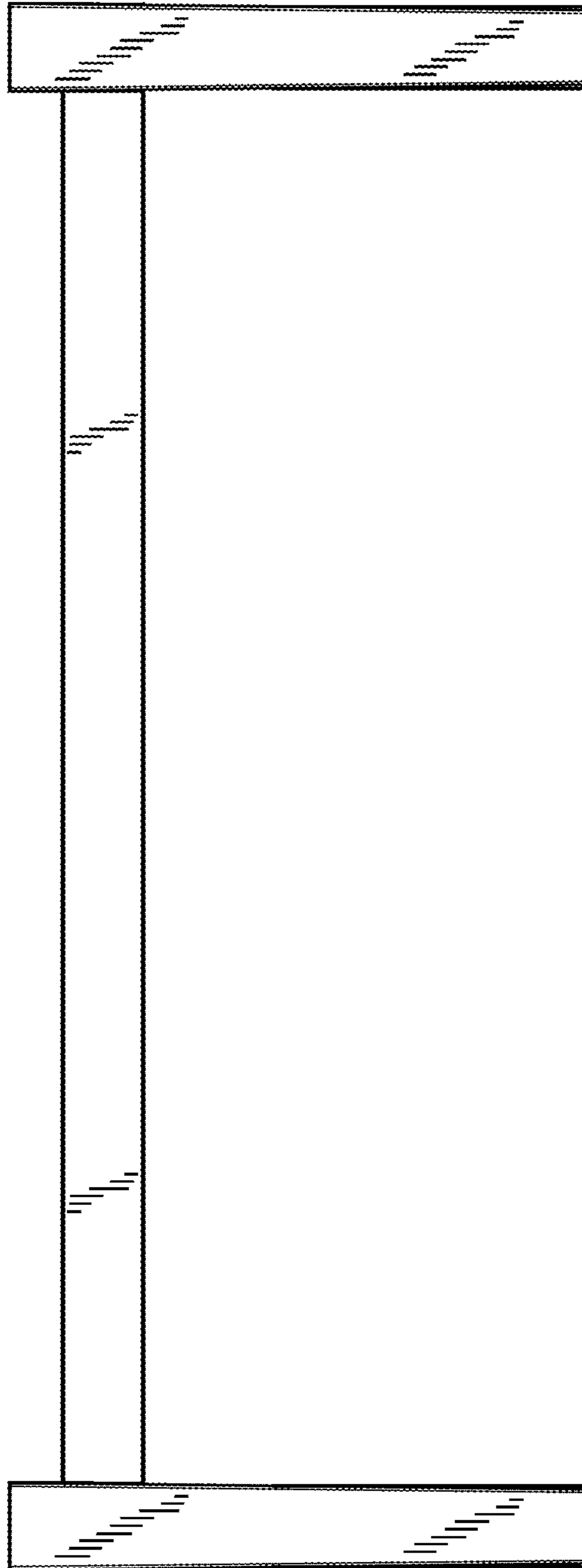


FIG. 2

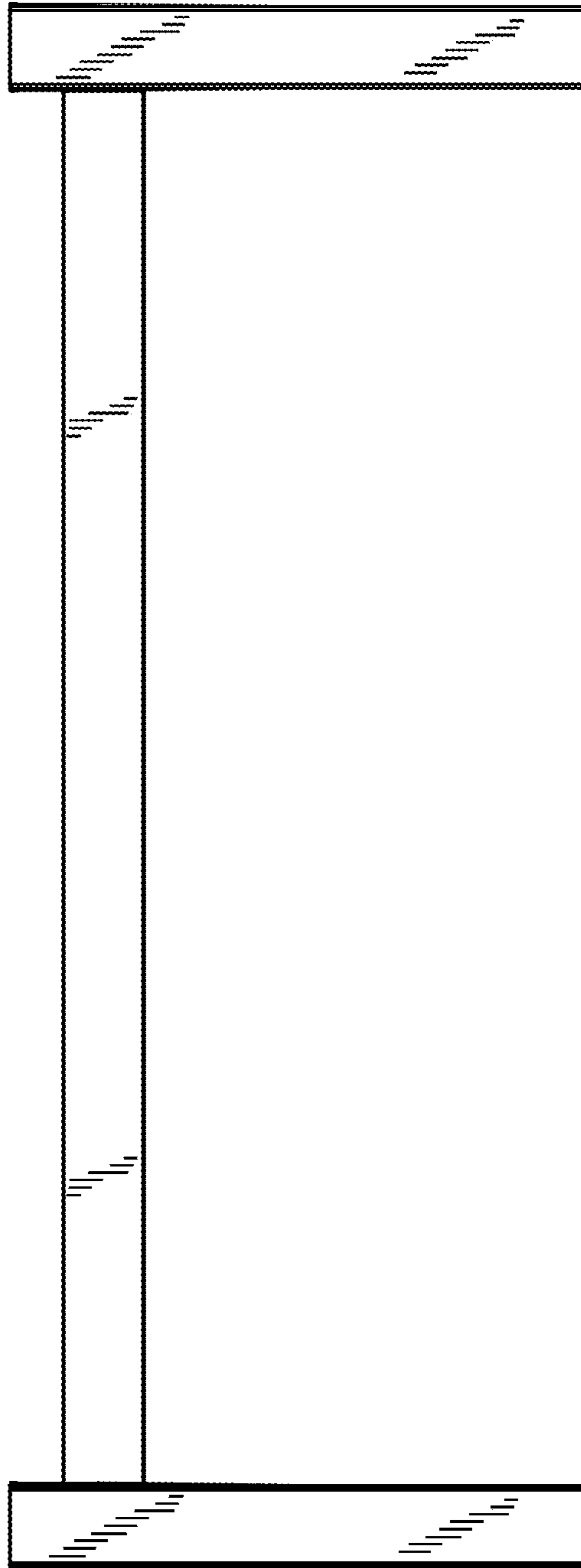


FIG. 3

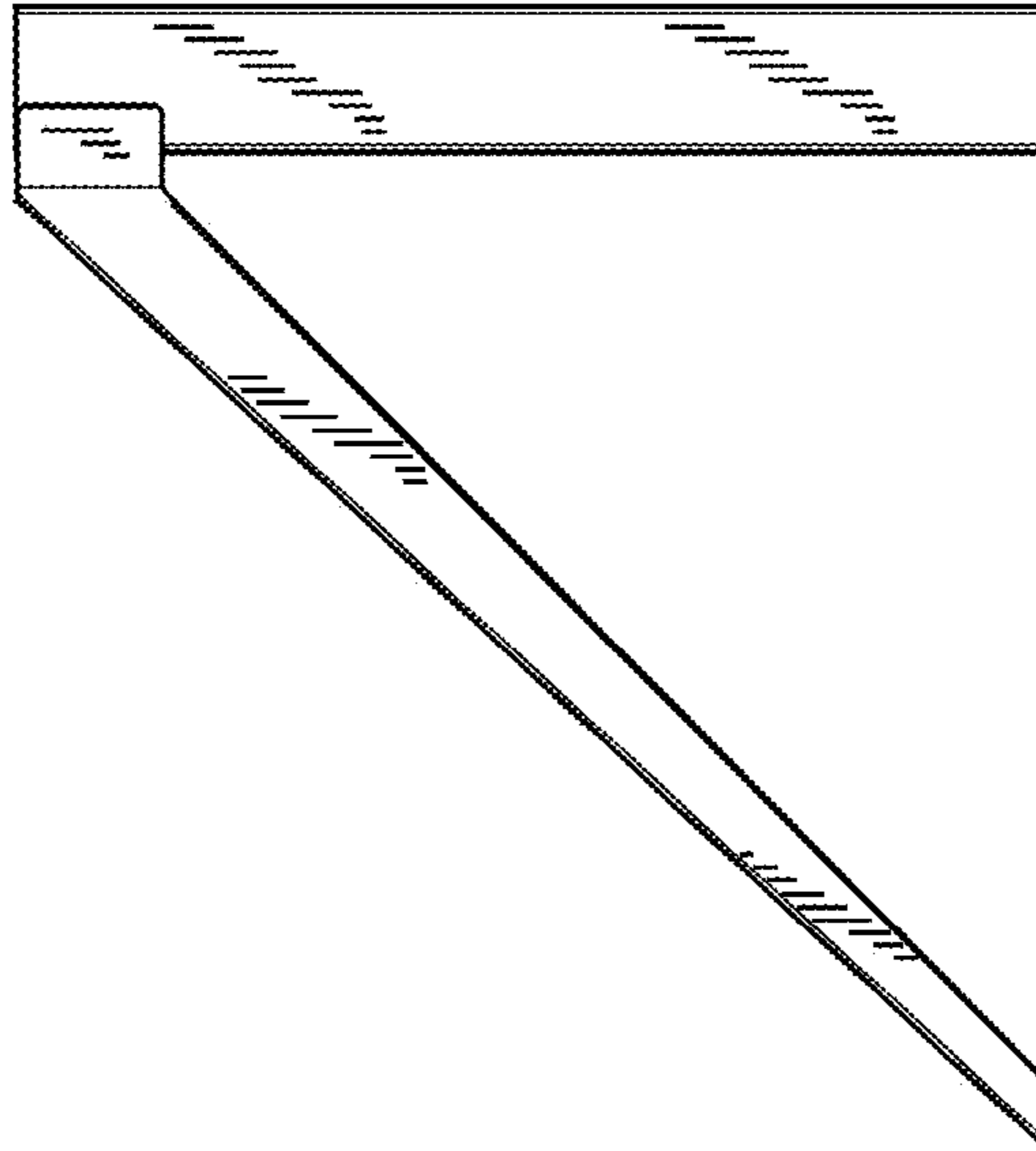


FIG. 5

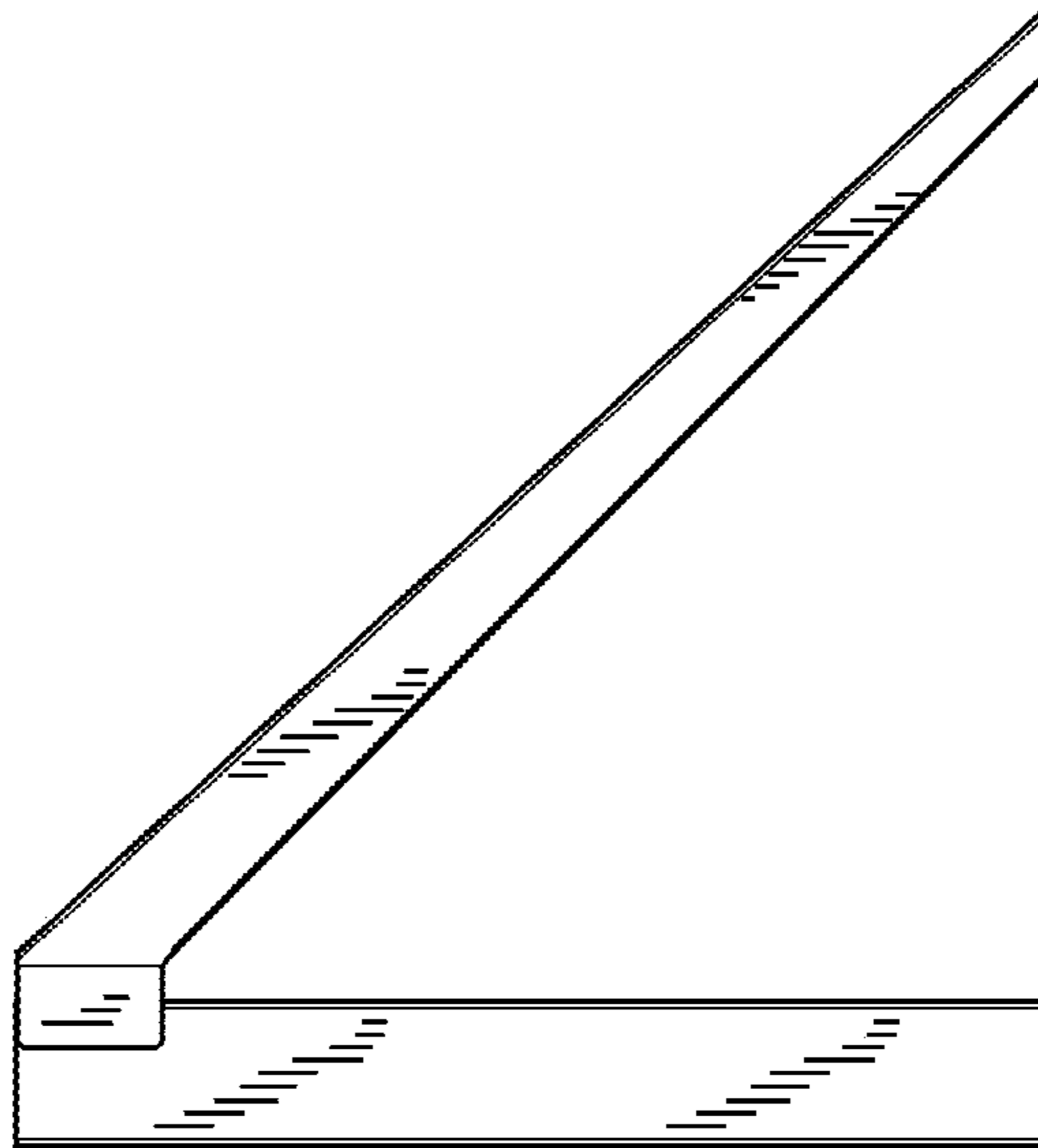


FIG. 4

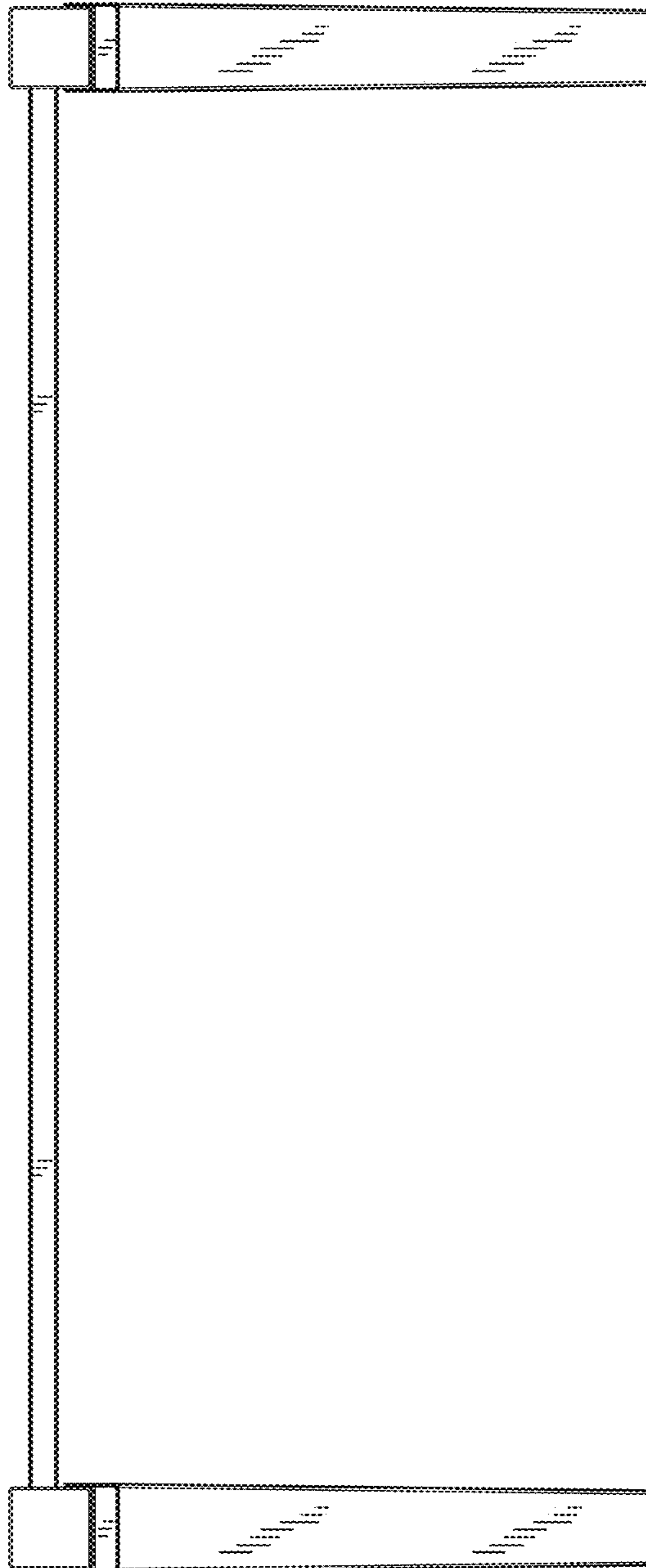


FIG. 6

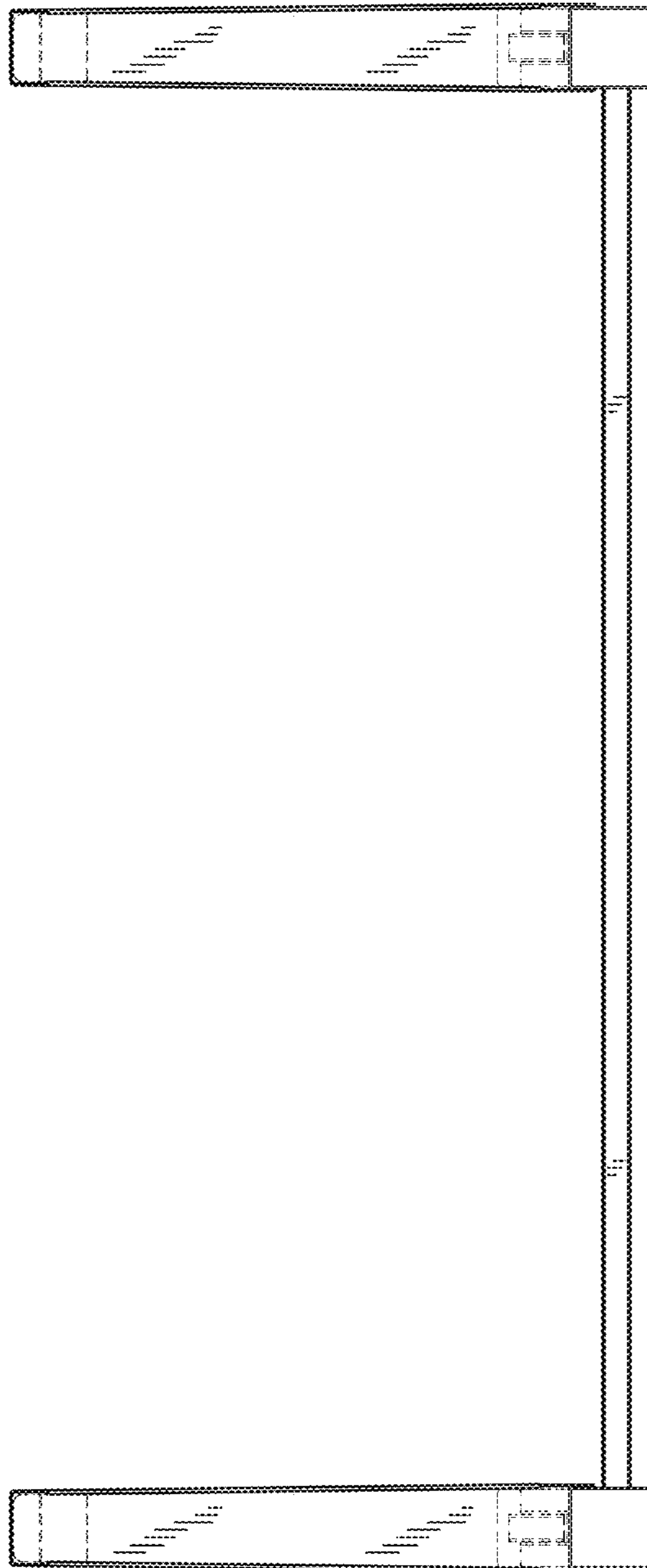


FIG. 7



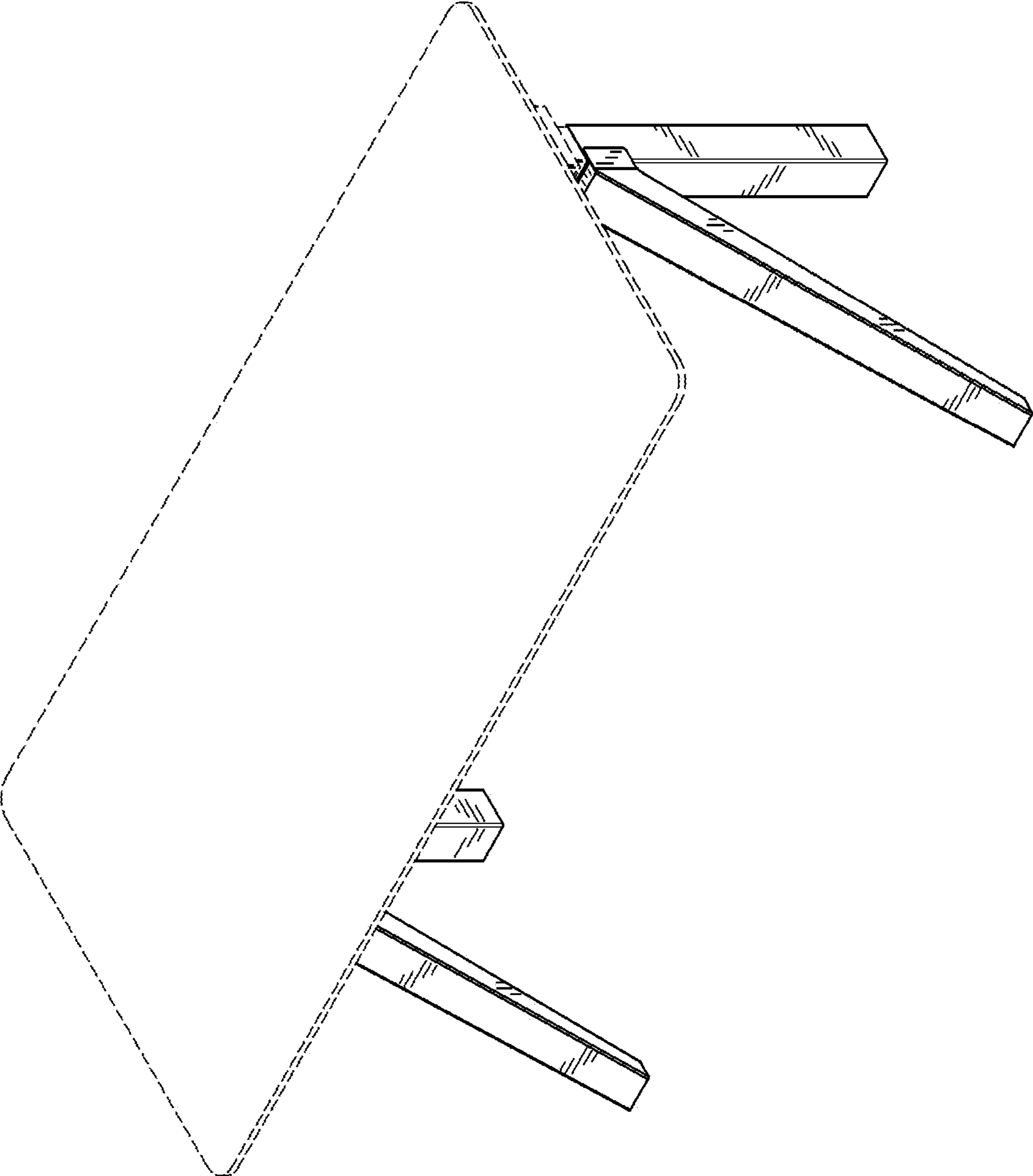


FIG. 8