



US00D915808S

(12) **United States Design Patent**
Su et al.

(10) **Patent No.:** **US D915,808 S**
(45) **Date of Patent:** **** Apr. 13, 2021**

(54) **DRAWER PANEL**

(71) Applicants: **KING SLIDE WORKS CO., LTD.**,
Kaohsiung (TW); **KING SLIDE**
TECHNOLOGY CO., LTD.,
Kaohsiung (TW)

(72) Inventors: **Fang-Cheng Su**, Kaohsiung (TW);
Ci-Bin Huang, Kaohsiung (TW);
Ching-Fu Chiu, Kaohsiung (TW);
Shu-Chen Lin, Kaohsiung (TW)

(73) Assignees: **King Slide Works Co., Ltd.**,
Kaohsiung (TW); **King Slide**
Technology Co., Ltd., Kaohsiung (TW)

(**) Term: **15 Years**

(21) Appl. No.: **29/707,946**

(22) Filed: **Oct. 2, 2019**

(51) **LOC (13) Cl.** **06-06**

(52) **U.S. Cl.**
USPC **D6/705.4**

(58) **Field of Classification Search**
USPC D6/663, 664, 664.1, 671, 671.1, 671.2,
D6/671.3, 671.4, 705, 705.1, 705.2,
D6/705.4, 705.5; D3/295, 296, 297, 298
CPC A47B 17/04; A47B 47/00; A47B 47/04;
A47B 57/00; A47B 67/00; A47B 67/04;
A47B 88/00; A47B 88/40; A47B 88/42;
A47B 88/402; A47B 88/407; A47B
88/413; A47B 88/417; A47B 88/433;
A47B 88/90; A47B 88/906; A47B 88/944
See application file for complete search history.

(56) **References Cited**

U.S. PATENT DOCUMENTS

4,403,817 A * 9/1983 Aidar A47B 88/00
312/265.1
D298,708 S * 11/1988 Nygren D6/705.4

D319,933 S * 9/1991 Rock D6/705.4
D320,710 S * 10/1991 Rock D6/705.4
D674,626 S * 1/2013 Gasser D6/705.5
D684,399 S * 6/2013 Gasser D6/705.5
D684,401 S * 6/2013 Gasser D6/705
D684,796 S * 6/2013 Gasser D6/705.5
D686,428 S * 7/2013 Gasser D6/705.2
D757,474 S * 5/2016 Grabber D6/705.5
D871,812 S * 1/2020 Su D6/705.4
D881,617 S * 4/2020 Schwarzmans D6/705
D882,316 S * 4/2020 Schwarzmans D6/705
D884,401 S * 5/2020 Su D6/705.4
D889,892 S * 7/2020 Su D6/705.4
D892,524 S * 8/2020 Su D6/705.4
D901,221 S * 11/2020 Schwarzmans D6/705
D902,633 S * 11/2020 Irgang D6/705
D904,093 S * 12/2020 Irgang D6/705

* cited by examiner

Primary Examiner — Mimoso De

(74) *Attorney, Agent, or Firm* — Rosenberg, Klein & Lee

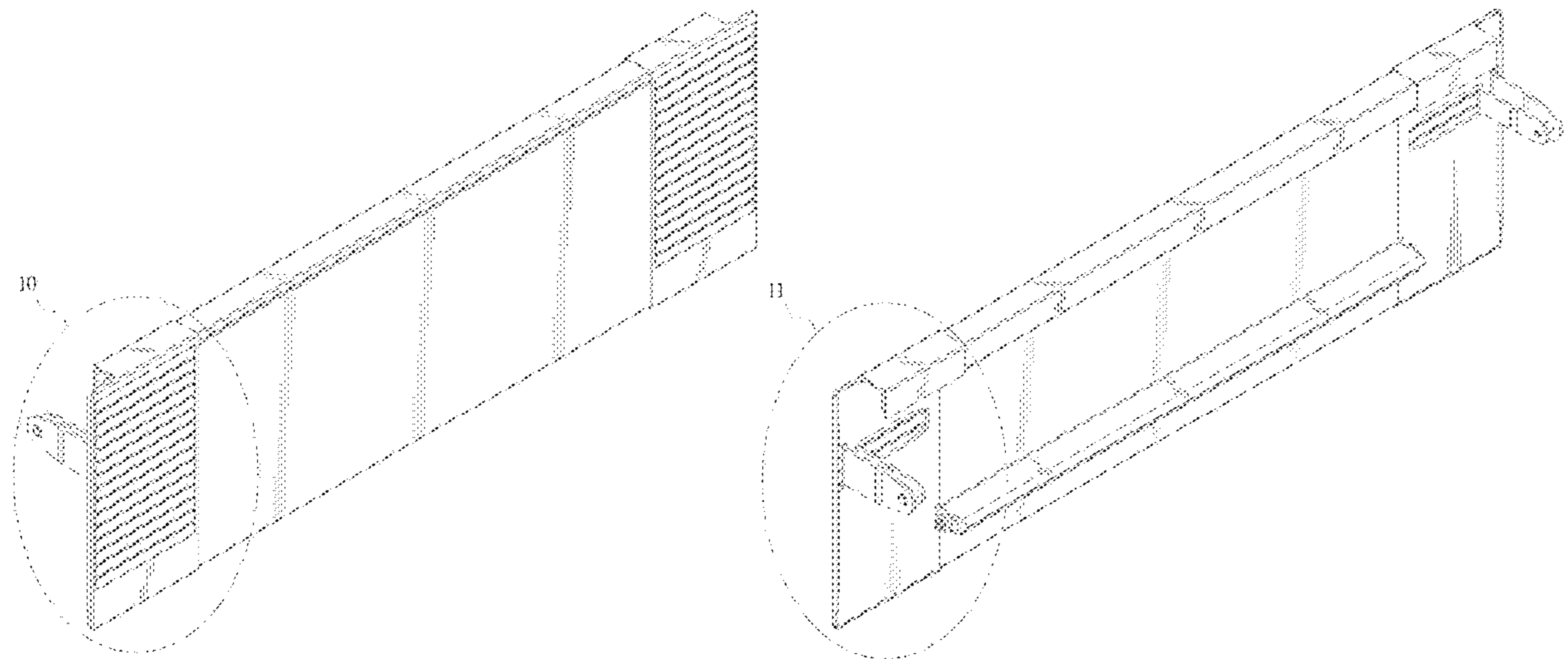
(57) **CLAIM**

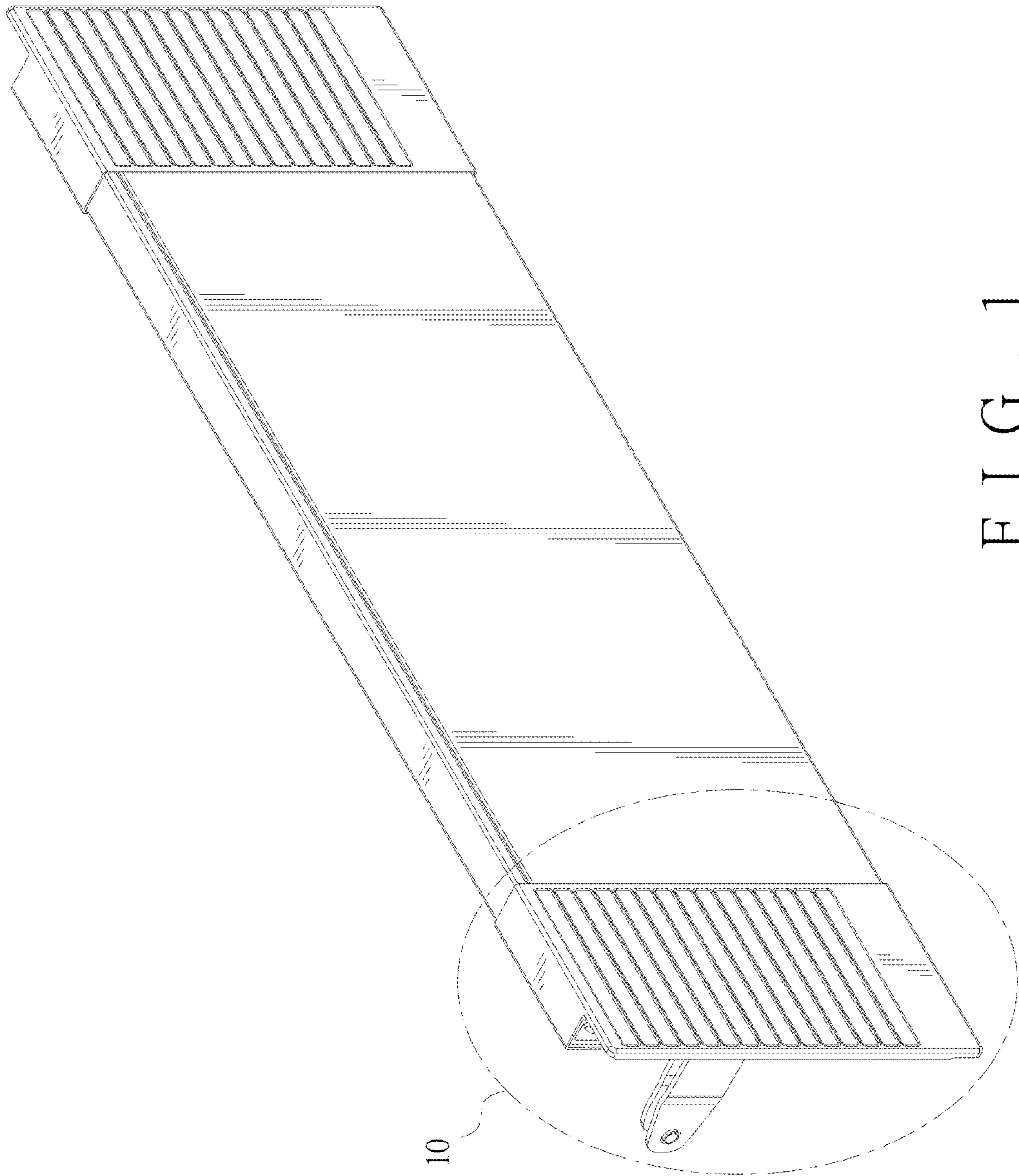
The ornamental design for a drawer panel, as shown and described.

DESCRIPTION

FIG. 1 is a perspective view of a drawer panel, showing our new design;
FIG. 2 is a front view thereof;
FIG. 3 is a rear view thereof;
FIG. 4 is a left view thereof;
FIG. 5 is a right view thereof;
FIG. 6 is a top plan view thereof;
FIG. 7 is a bottom plan view thereof;
FIG. 8 is another perspective view thereof;
FIG. 9 is an enlarged view of FIG. 4;
FIG. 10 is a partial enlarged view thereof according to the designated broken circle shown in FIG. 1; and,
FIG. 11 is a partial enlarged view thereof according to the designated broken circle shown in FIG. 8.

1 Claim, 9 Drawing Sheets





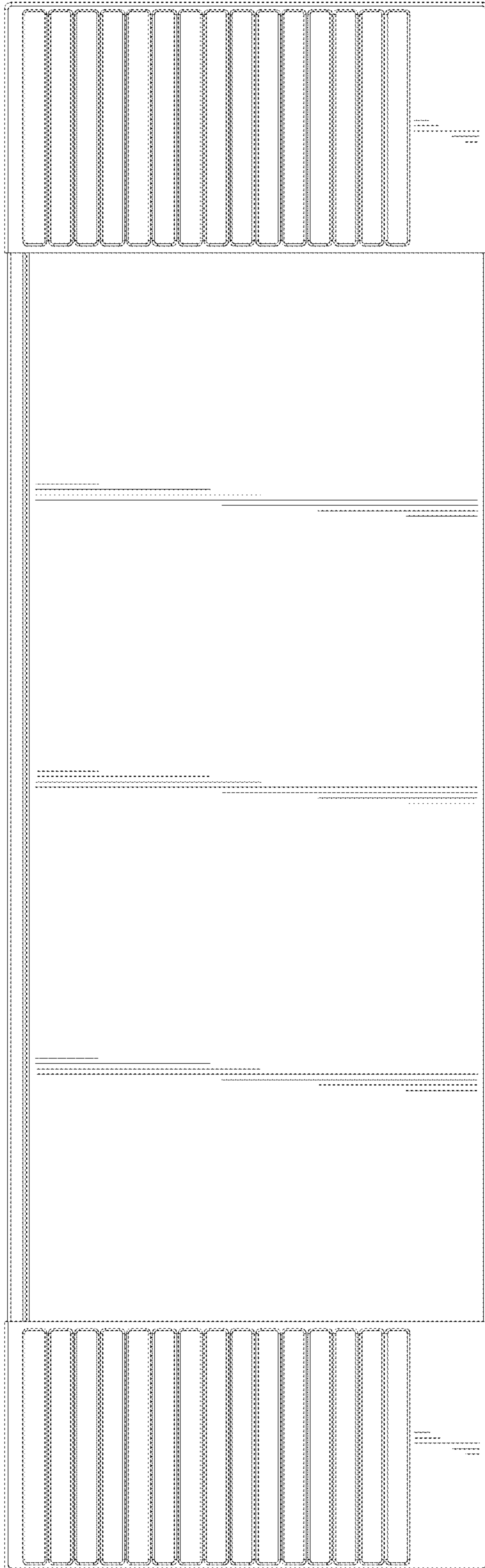


FIG. 2

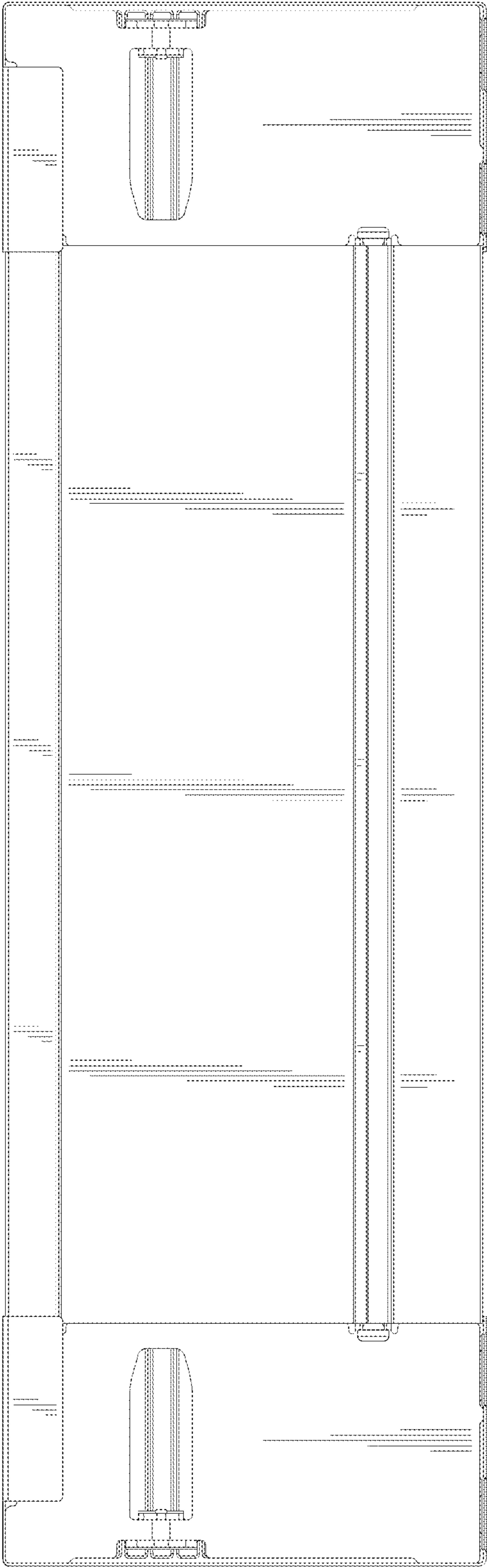


FIG. 3

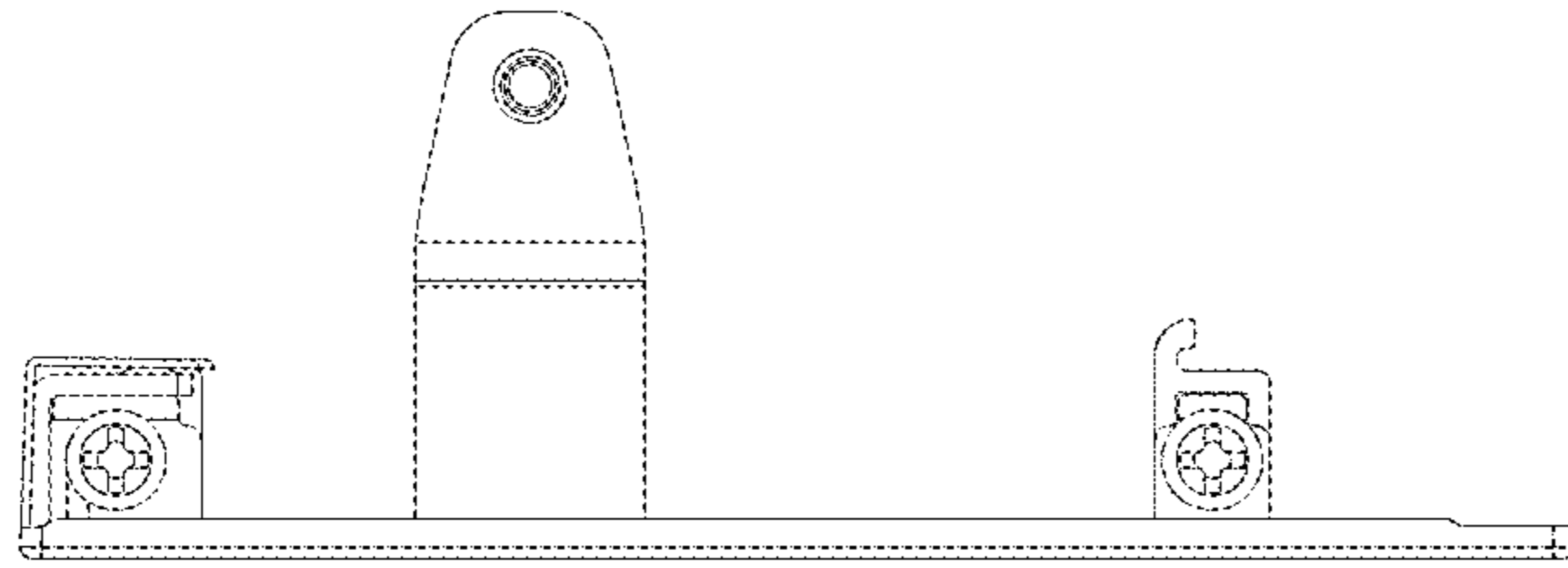


FIG. 5

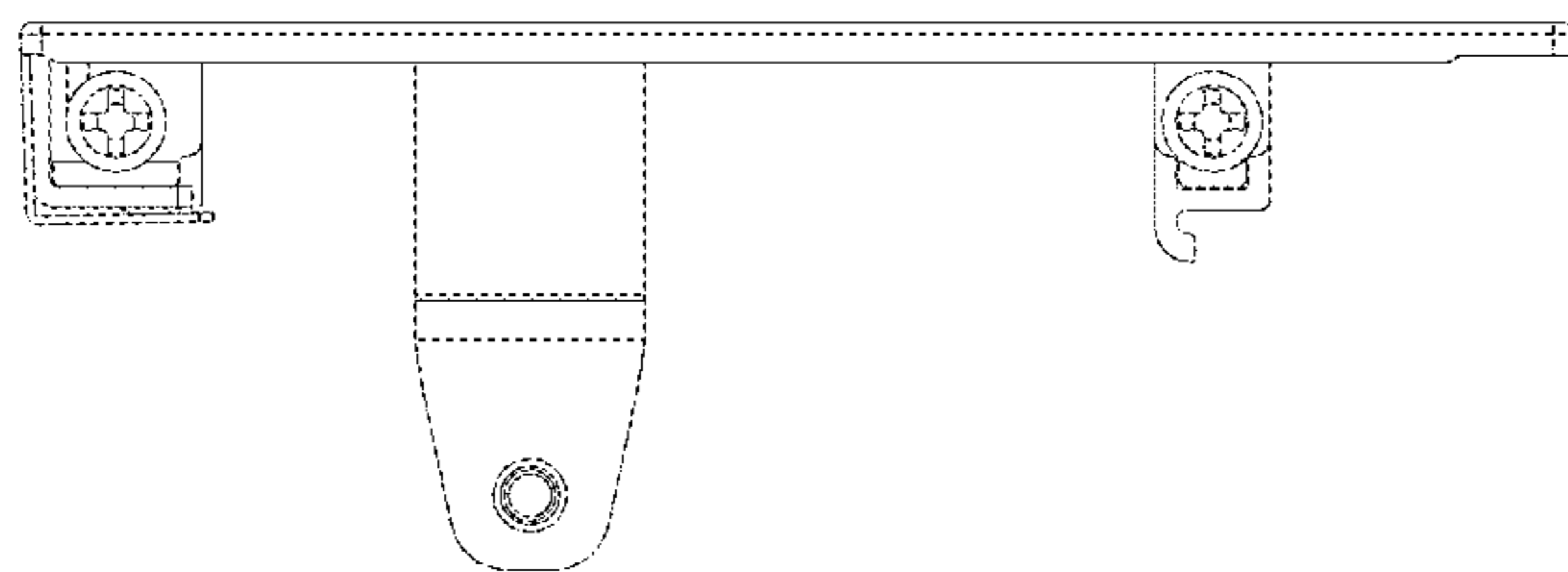


FIG. 4

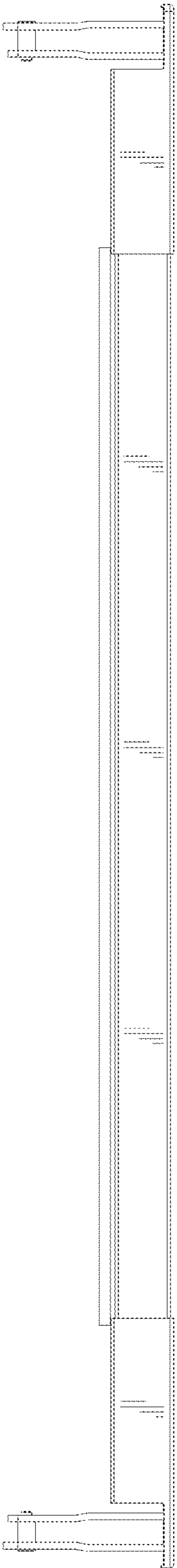


FIG. 6

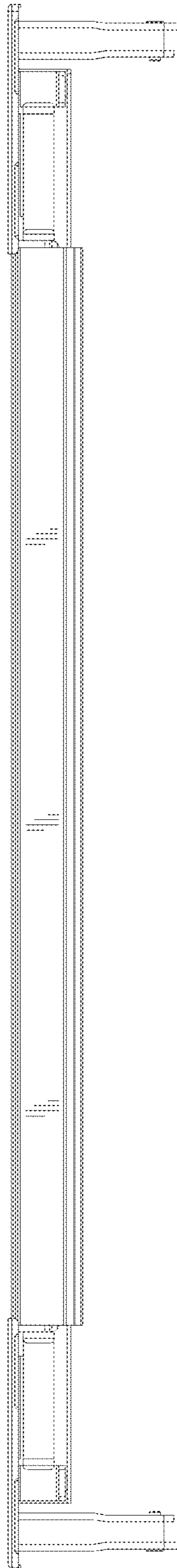


FIG. 7

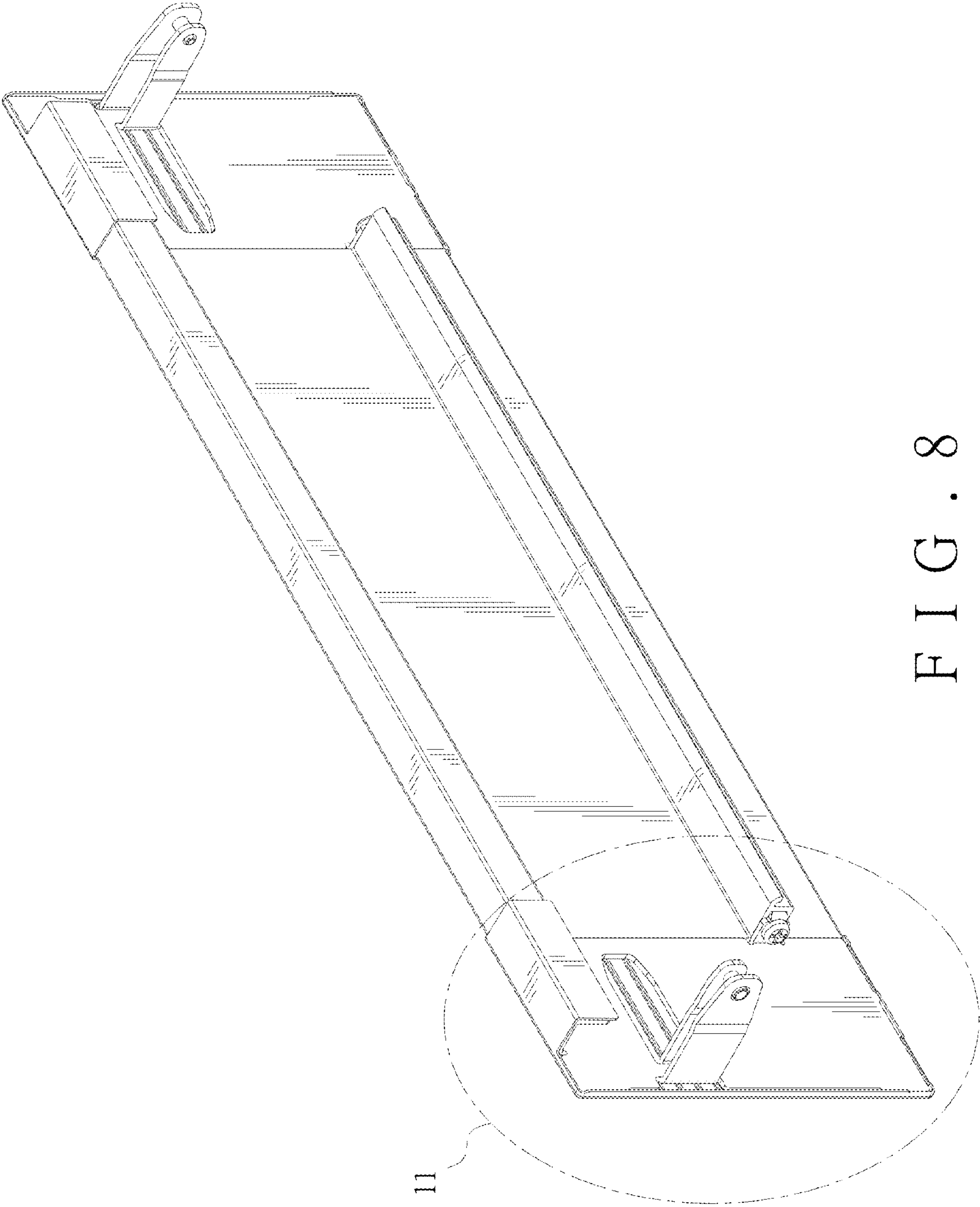


FIG. 8

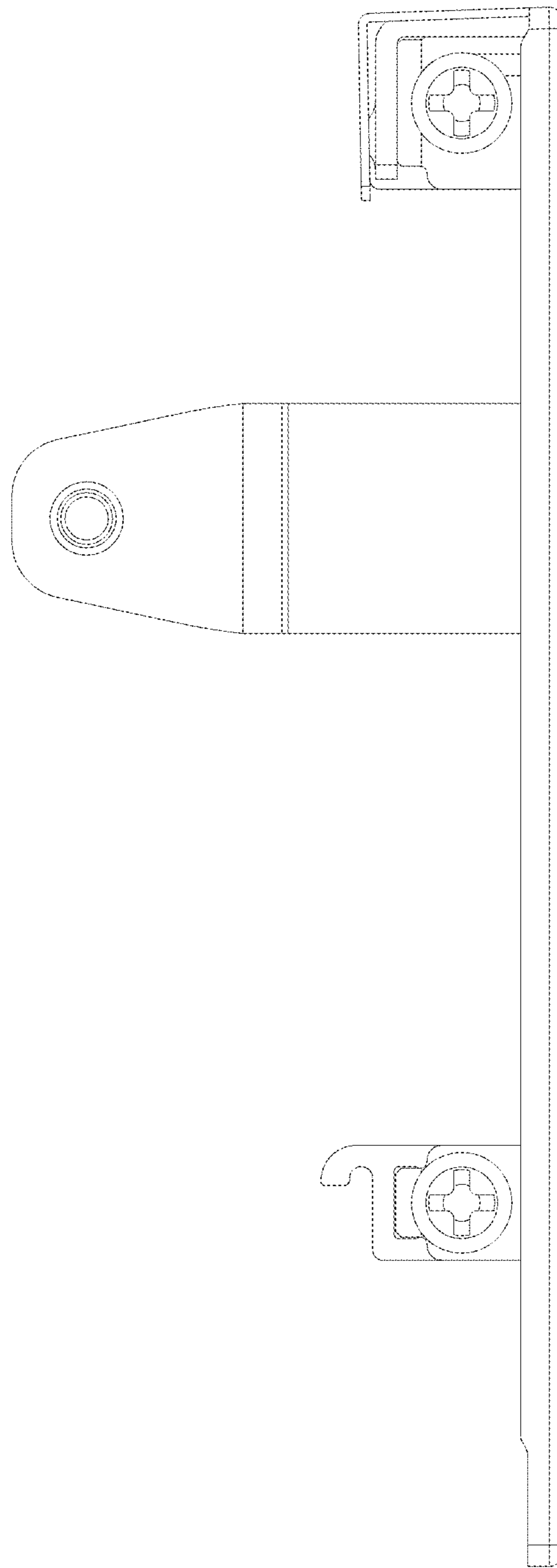
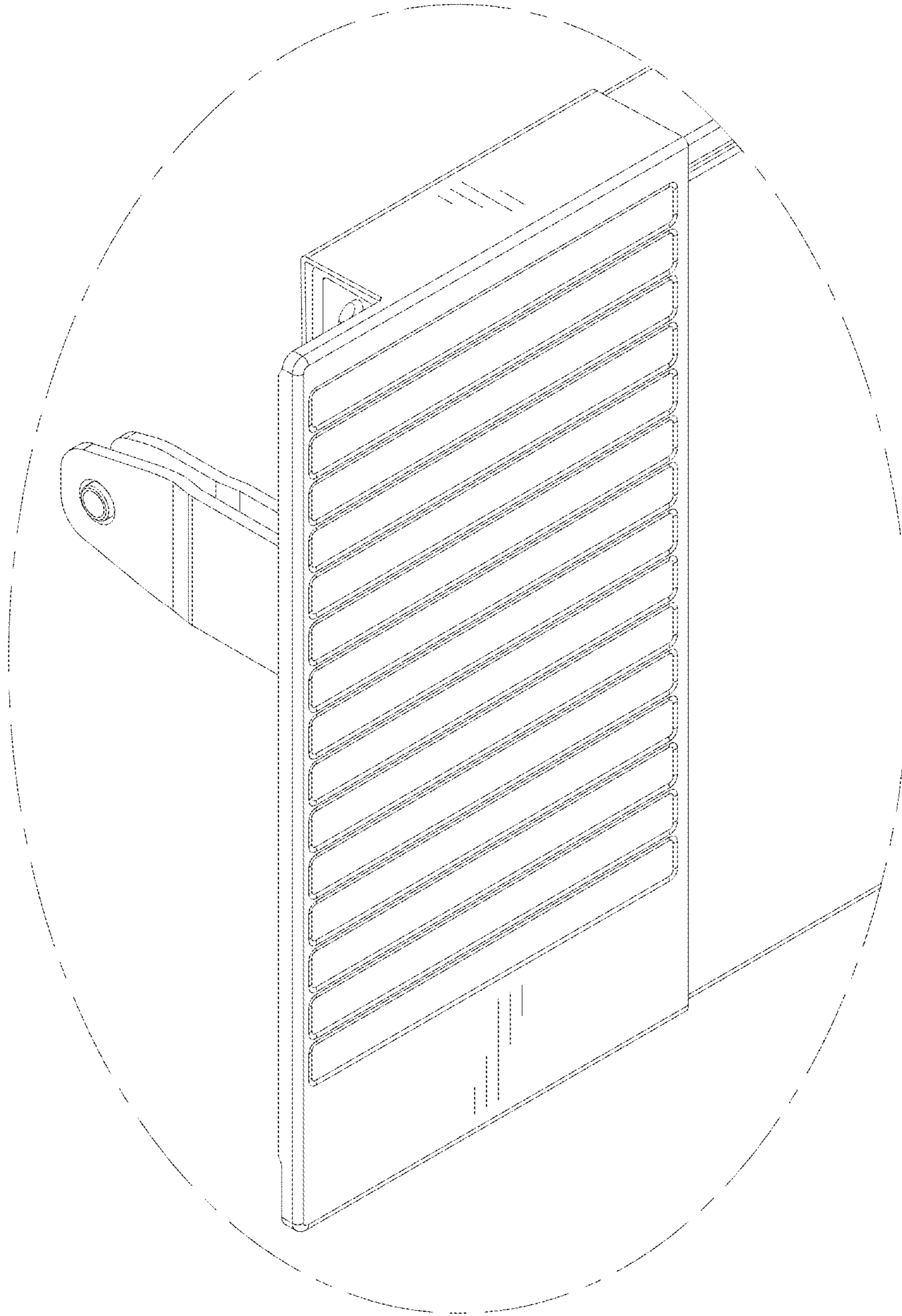


FIG. 9



F I G . 10

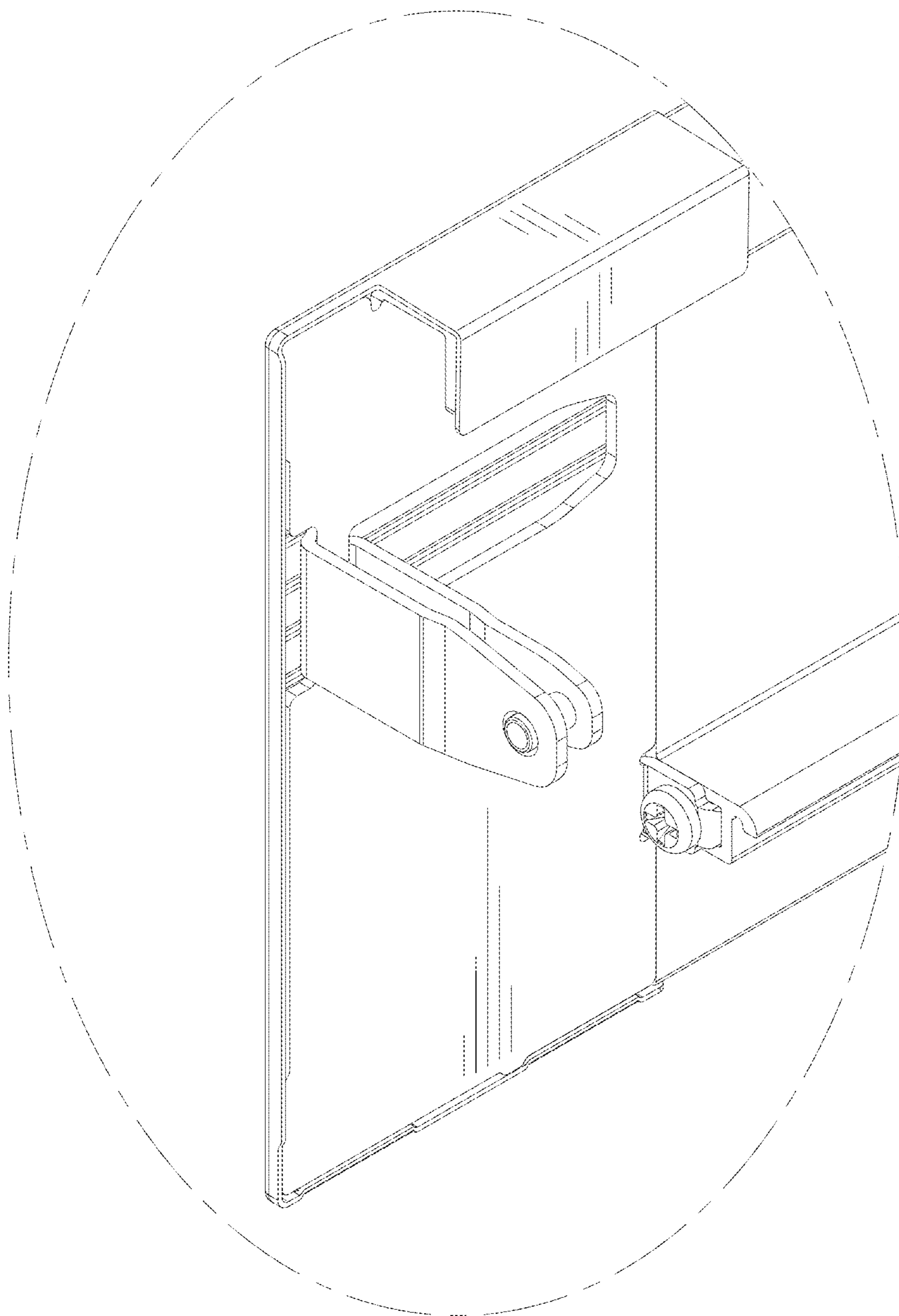


FIG . 11