



US00D915807S

(12) **United States Design Patent**
Kimmel

(10) **Patent No.: US D915,807 S**

(45) **Date of Patent: ** Apr. 13, 2021**

(54) **FURNITURE**

- (71) Applicant: **WeWork Companies Inc.**
- (72) Inventor: **Adam Kimmel**, New York, NY (US)
- (73) Assignee: **WEWORK COMPANIES LLC**, New York, NY (US)
- (**) Term: **15 Years**

- (21) Appl. No.: **29/668,631**
- (22) Filed: **Oct. 31, 2018**
- (51) **LOC (13) Cl.** **06-03**
- (52) **U.S. Cl.**
USPC **D6/692.3**
- (58) **Field of Classification Search**
USPC D6/349, 641, 685, 686, 690, 691,
D6/691.1-691.9, 692, 692.1-692.6
CPC .. A47B 7/00; A47B 9/00; A47B 13/00; A47B
13/02; A47B 13/04; A47B 13/06; A47B
13/08; A47B 7/10; A47B 7/12; A47B
17/00; A47B 19/00; A47B 21/00; A47B
2200/0001; A47B 2200/0011; A47B
2200/002
See application file for complete search history.

(56) **References Cited**

U.S. PATENT DOCUMENTS

- 2,551,766 A * 5/1951 Service A47B 69/00
108/11
- D275,353 S * 9/1984 Dunbar D6/656.1
- 5,289,783 A * 3/1994 Karl A47B 7/00
83/313
- D415,634 S * 10/1999 Lin A47B 7/00
D6/692.3
- D453,082 S * 1/2002 Kobe D6/641
- D530,109 S * 10/2006 Barrett D6/352
- D655,519 S * 3/2012 Messenger F24C 15/08
D6/337

(Continued)

FOREIGN PATENT DOCUMENTS

- IT 2018000002111 7/2018
- WO DM/078433 5/2012

OTHER PUBLICATIONS

E15, Table, Catalogue/F3017003931/Published Date: Sep. 15, 2017/
Living Etc Sep. 2017.

(Continued)

Primary Examiner — Mary Ann Calabrese

(74) *Attorney, Agent, or Firm* — Fross Zelnick Lehrman
& Zissu, P.C.; Charles T. J. Weigell, Esq.

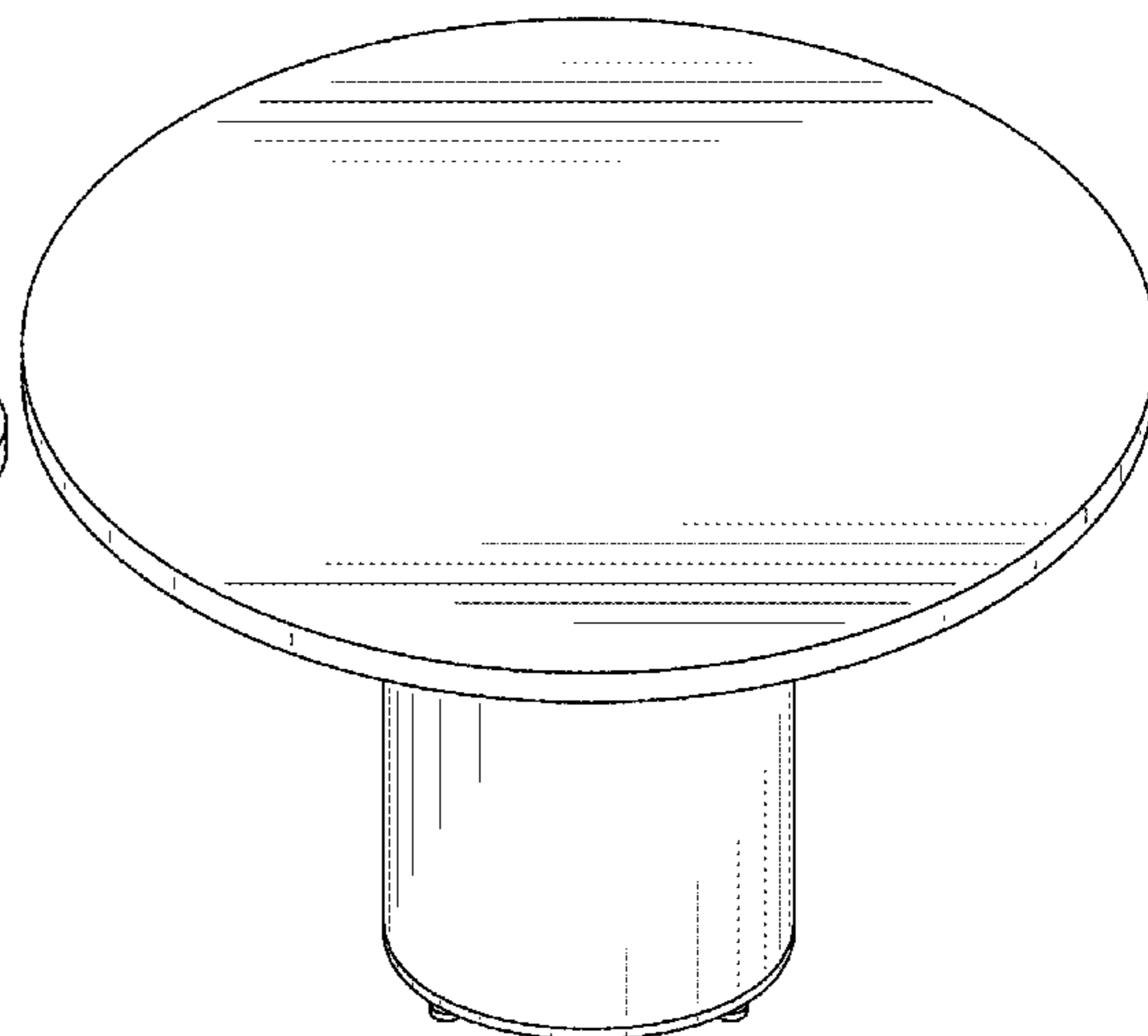
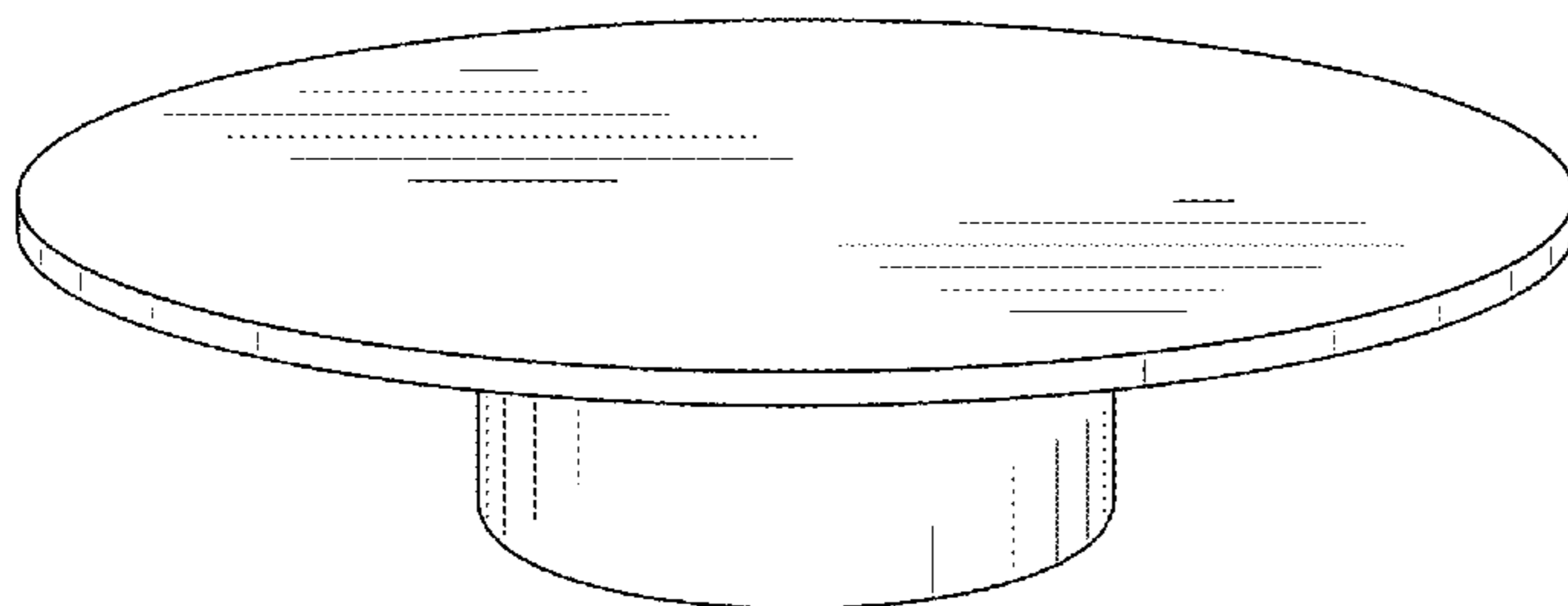
(57) **CLAIM**

The ornamental design for furniture, as shown and described.

DESCRIPTION

FIG. 1 is a perspective view of the furniture showing my new design;
 FIG. 2 is a front view thereof;
 FIG. 3 is a back view thereof;
 FIG. 4 is a left side view thereof;
 FIG. 5 is a right side view thereof;
 FIG. 6 is a top view thereof;
 FIG. 7 is a front perspective view of an alternative embodiment of the furniture;
 FIG. 8 is a front view of the furniture as shown in FIG. 7;
 FIG. 9 is a back view of the furniture as shown in FIG. 7;
 FIG. 10 is a left side view of the furniture as shown in FIG. 7;
 FIG. 11 is a right side view of the furniture as shown in FIG. 7; and,
 FIG. 12 is a top view of the furniture as shown in FIG. 7.
 The bottom of the furniture, not shown is plain and unornamented and forms no part of the claimed design.

1 Claim, 7 Drawing Sheets



(56)

References Cited

U.S. PATENT DOCUMENTS

10,197,291 B2 * 2/2019 Rivera F24C 15/08
D862,140 S * 10/2019 Smrstick A47B 69/00
D6/692.3

OTHER PUBLICATIONS

InnoHome, Table, Feb. 24, 2016, <<https://www.maisonkorea.com/2016/02/25/%eb%8f%99%ea%b7%b8%eb%9d%bc%eb%af%b8-%ed%85%8c%ec%9d%b4%eb%b8%94-%eb%a7%a4%ed%8a%b8/>>.

Japanese Office Action, dated Dec. 24, 2019, 5 pages.

Korean Preliminary Rejection for Korean application No. 30-2019-0010663, dated Nov. 29, 2019.

Russian Office Action for Russian Application No. 2019501496/49, dated Dec. 18, 2019.

Harvest Furniture, Table, Jun. 20, 2000, Catalogue/D2000097450.

* cited by examiner

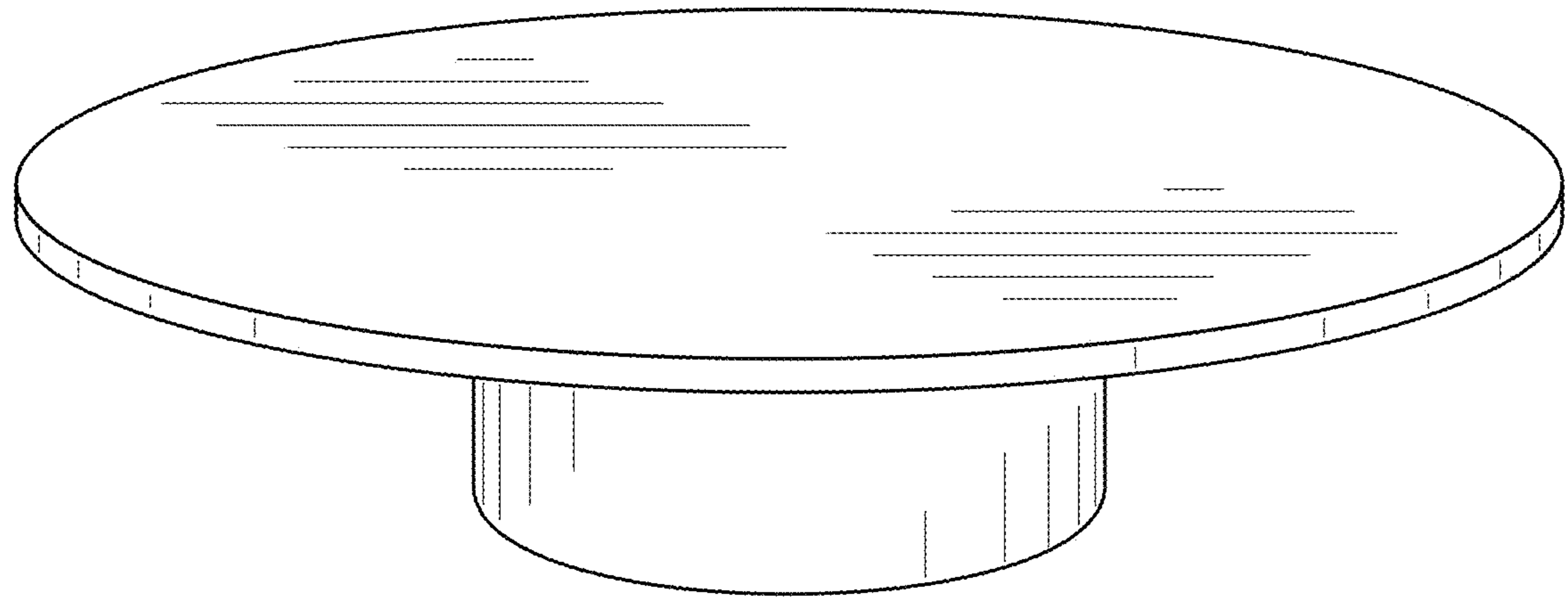


FIG. 1

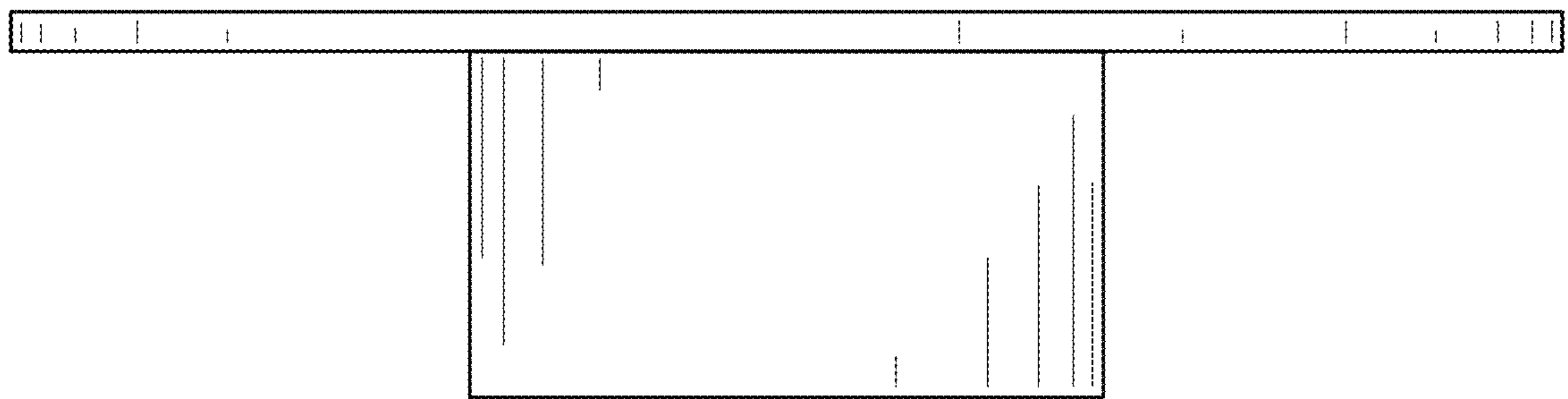


FIG. 2

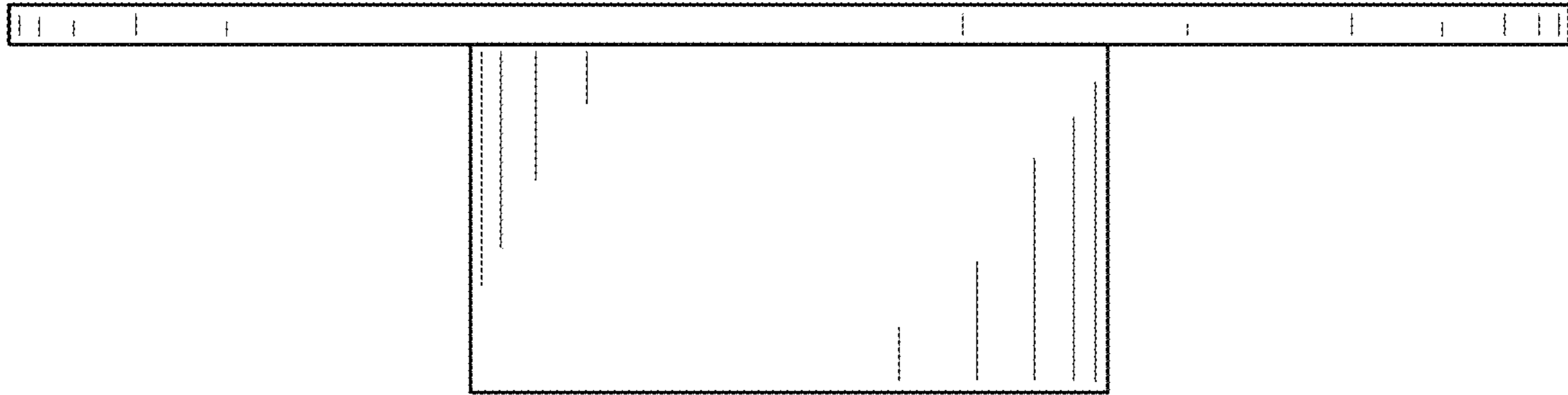


FIG. 3

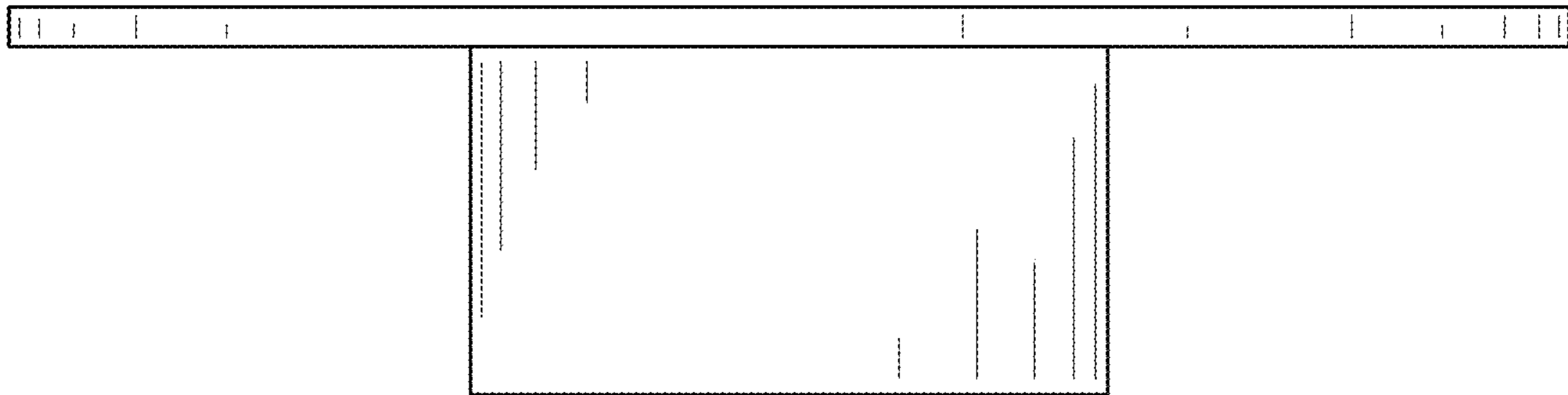


FIG. 4

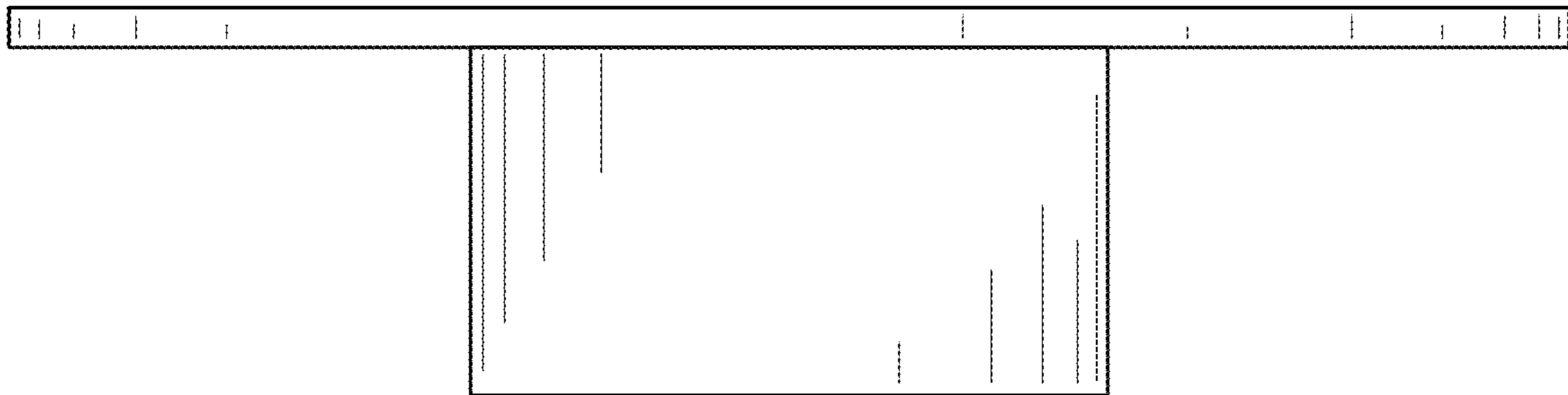


FIG. 5



FIG. 6

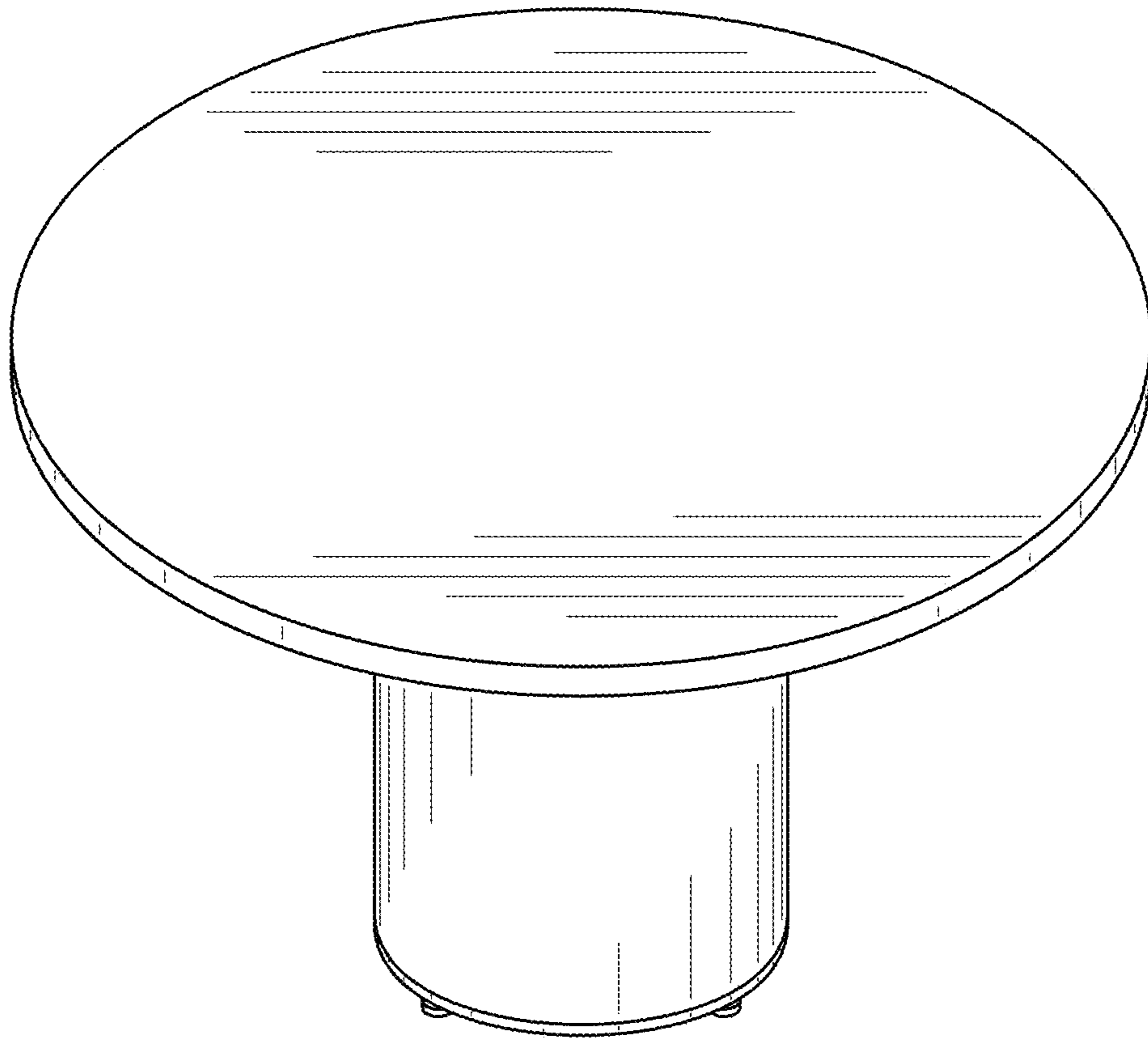


FIG. 7

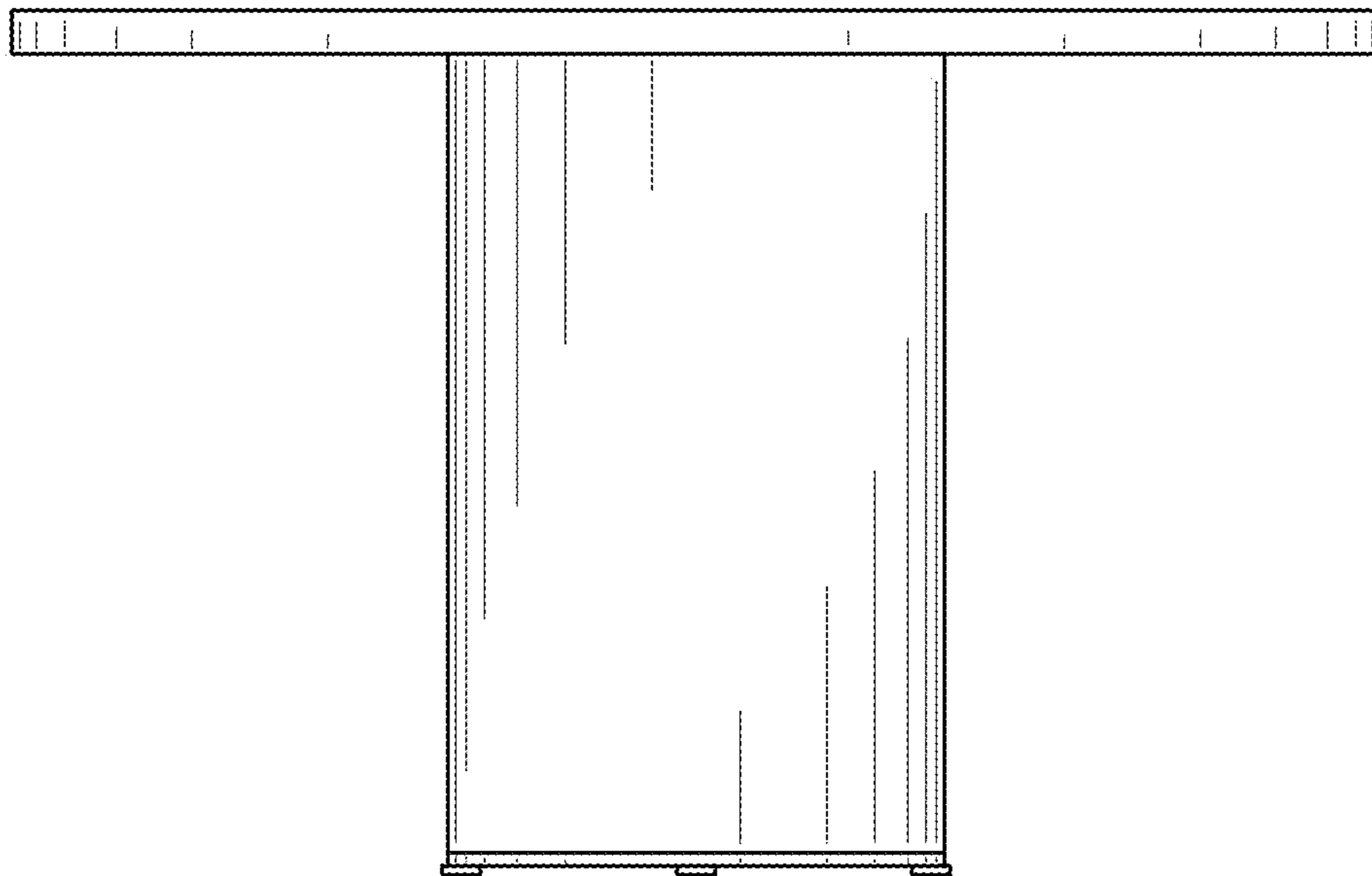


FIG. 8

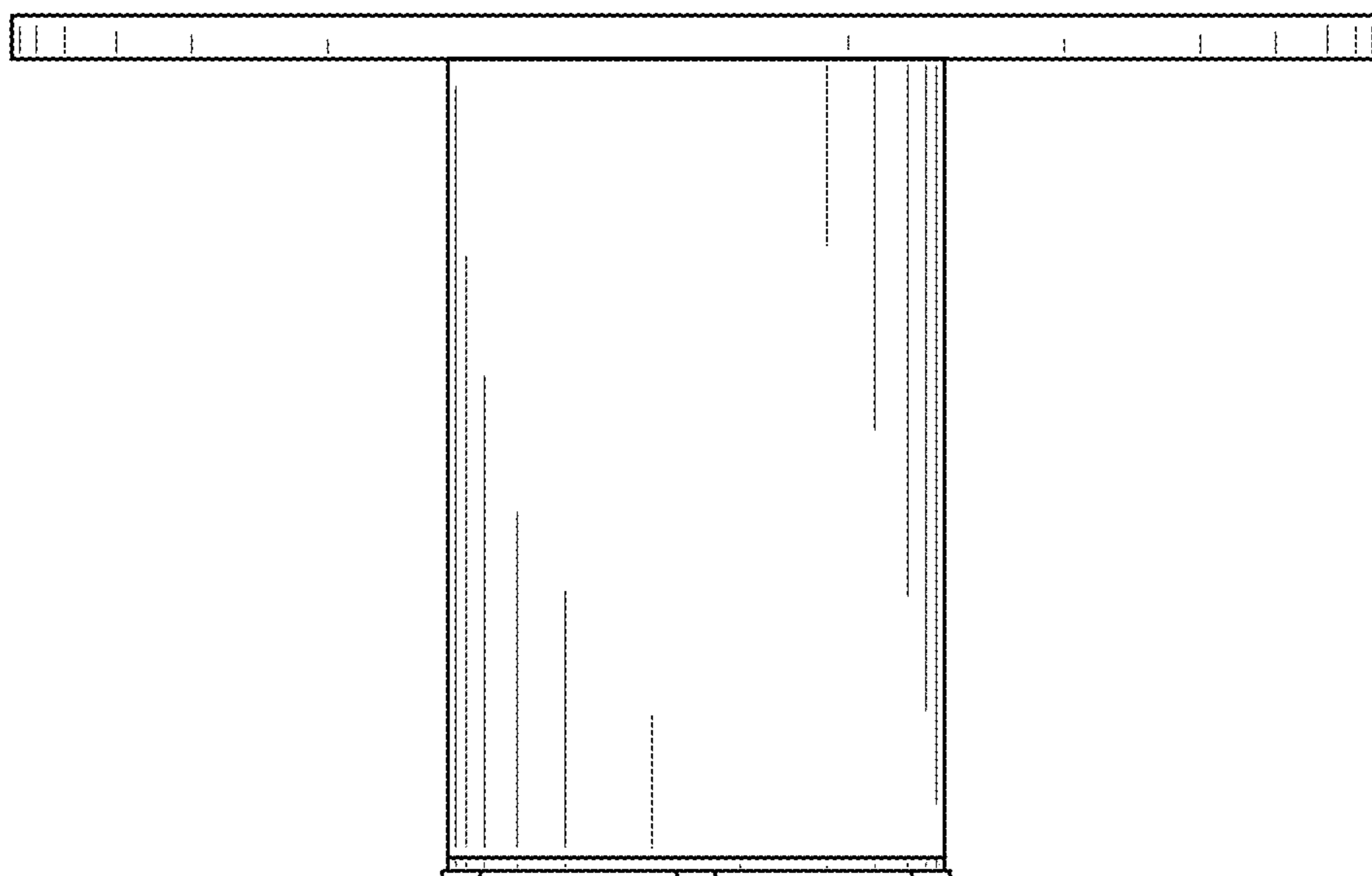


FIG. 9

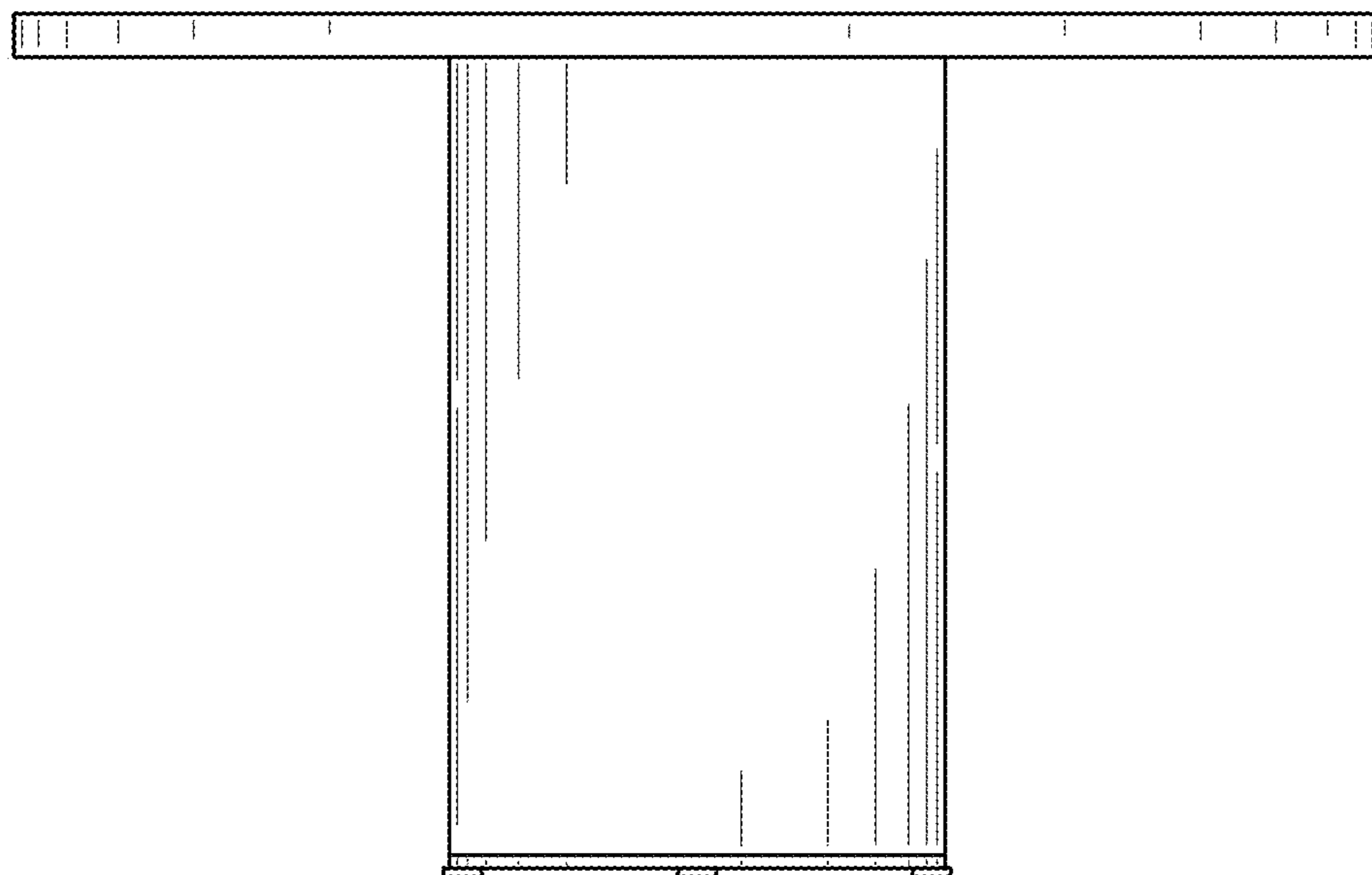


FIG. 10

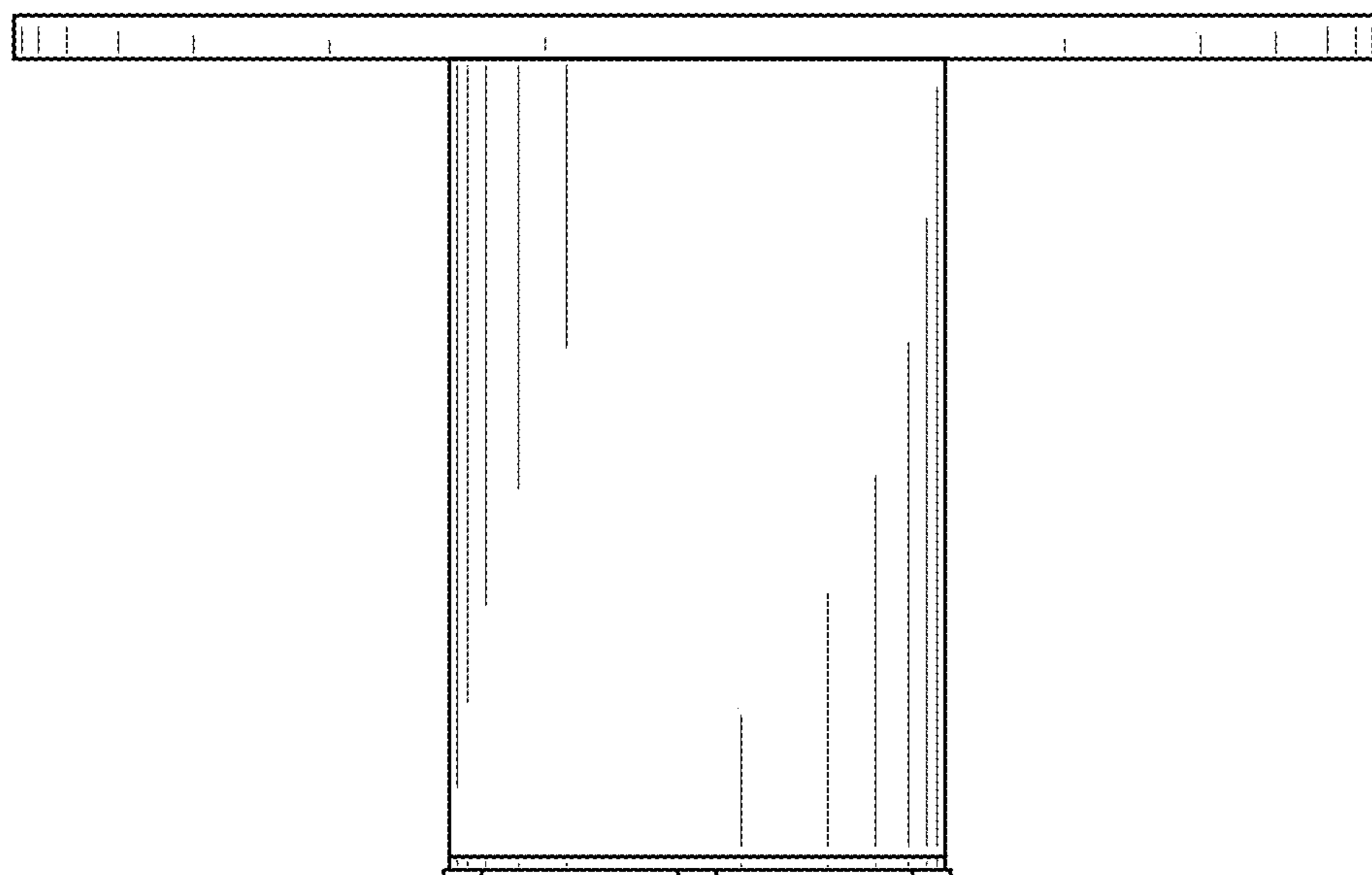


FIG. 11

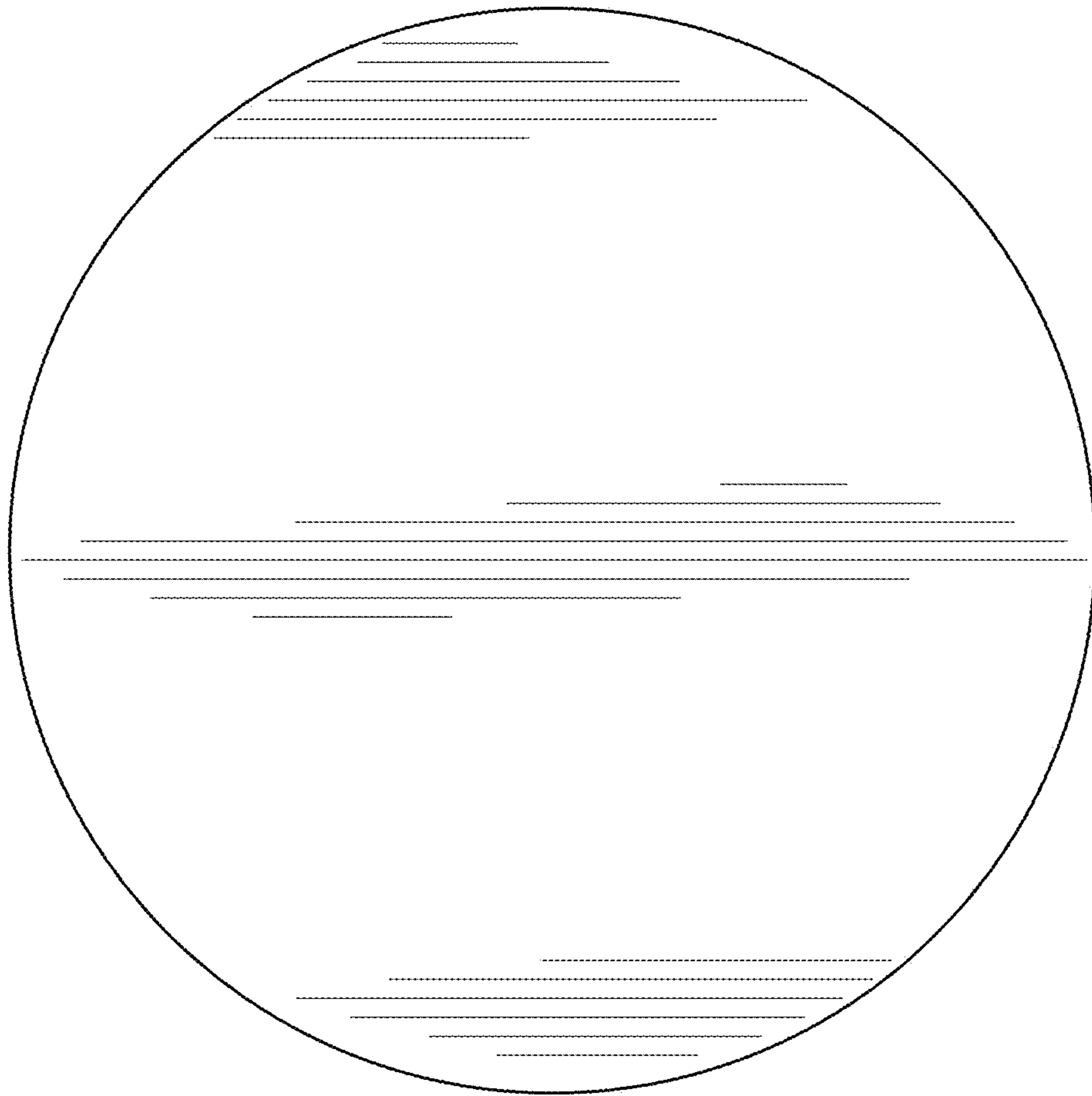


FIG. 12