



US00D915803S

(12) **United States Design Patent** (10) **Patent No.:** **US D915,803 S**
Miller et al. (45) **Date of Patent:** **** Apr. 13, 2021**

(54) **DESK** 3,295,475 A 1/1967 McClellan
3,463,099 A * 8/1969 Doucette A47B 3/12
108/167
(71) Applicant: **Poppin, Inc.**, New York, NY (US) 3,742,869 A 7/1973 Polsky et al.
4,382,642 A 5/1983 Burdick
(72) Inventors: **Jeffrey Frederick Miller**, New York, D287,680 S * 1/1987 Lonngren D6/691.1
NY (US); **Matteo Bonacina**, New York, 4,646,398 A 3/1987 Myhrman
NY (US); **Jason Caleb Zipperer**, 4,679,510 A 7/1987 Veyhl et al.
Brooklyn, NY (US); **Adrian Gomez**, 4,786,022 A 11/1988 Grieshaber
Edgewater, NJ (US) 4,838,181 A 6/1989 Luyk
D308,444 S * 6/1990 Burdick D6/685
4,944,235 A 7/1990 Jahnke et al.
(73) Assignee: **Poppin, Inc.**, New York, NY (US) 4,974,913 A 12/1990 Vogt et al.
5,078,055 A 1/1992 Bellini et al.
(**) Term: **15 Years** (Continued)

(21) Appl. No.: **29/621,319**

FOREIGN PATENT DOCUMENTS

(22) Filed: **Oct. 6, 2017**

AU 2005200644 A1 9/2005
CN 1599843 A 3/2005

Related U.S. Application Data

(Continued)

(62) Division of application No. 29/517,624, filed on Feb. 13, 2015, now Pat. No. Des. 799,248.

OTHER PUBLICATIONS

(51) **LOC (13) Cl.** **06-03**

Series A Double Desk for 4, published as early as 2017 [online], (retrieved Nov. 7, 2019). Retrieved from the internet, https://www.poppin.com/Series-A-Double-Desk-for-4%2C-Charcoal-Legs-103594.html?dwvar_103594_color=White&cgid=desks (Year: 2019).*

(52) **U.S. Cl.**

USPC **D6/691**

(58) **Field of Classification Search**

USPC D6/691, 691.1, 707.18, 707.28, 656.13, D6/692.4, 688.13, 675
CPC A47B 2200/0027; A47B 2200/0029; A47B 13/00; A47B 13/04; A47B 13/06; A47B 21/00; A47B 21/021; A47B 17/00; A47B 17/003; A47B 3/00; A47B 3/0818; A47B 3/091

Primary Examiner — Kevin K Rudzinski

Assistant Examiner — J. Thorn, Sr.

(74) Attorney, Agent, or Firm — K&L Gates LLP

See application file for complete search history.

(57) **CLAIM**

The ornamental design for a desk, as shown and described.

(56) **References Cited**

DESCRIPTION

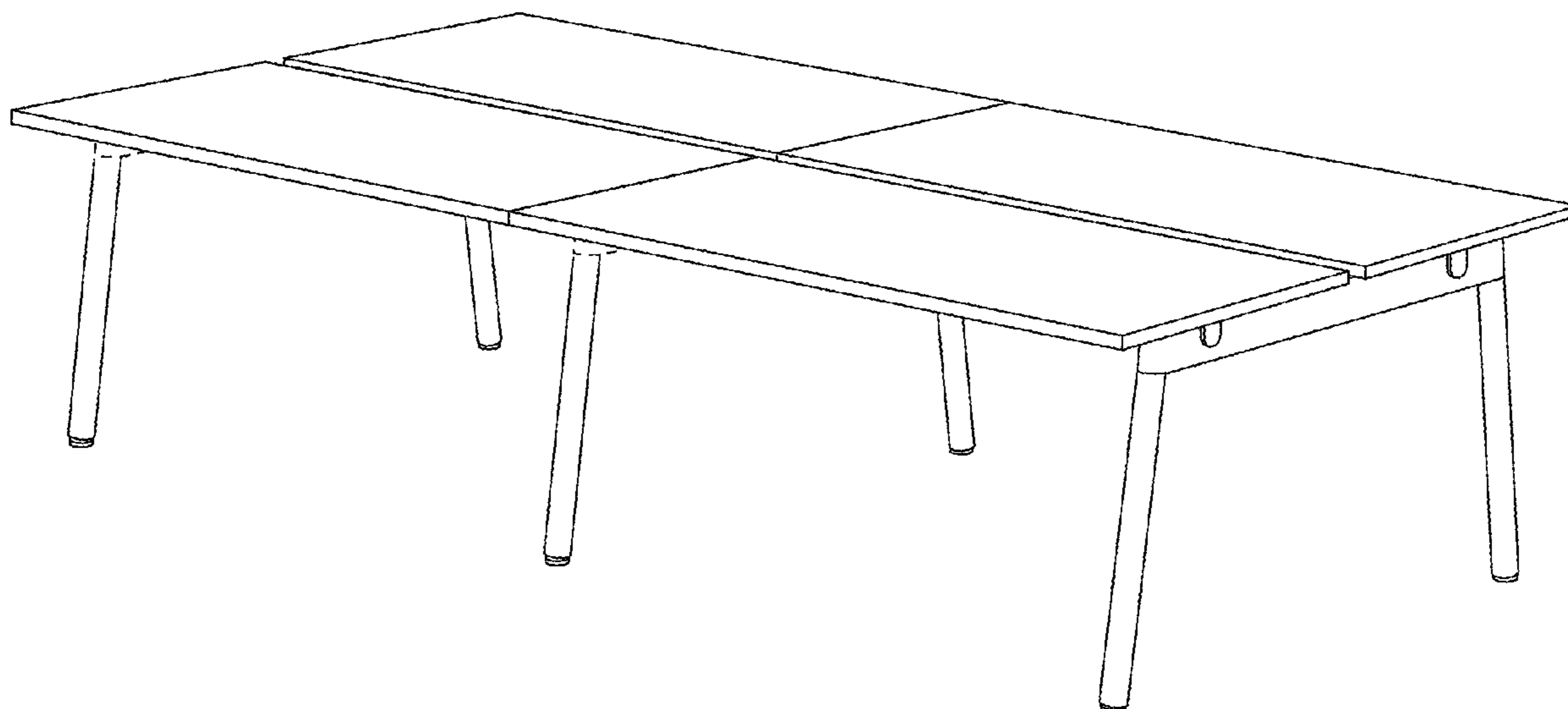
U.S. PATENT DOCUMENTS

The sole FIGURE is a perspective view of a desk showing our new design.

The broken lines shown in the drawings depict portions of the desk that forms no part of the claimed design.

2,194,138 A 3/1940 Crawford
D164,075 S 7/1951 Wallance
2,871,075 A 1/1959 Stone
2,932,873 A 4/1960 Reichert

1 Claim, 1 Drawing Sheet



(56)

References Cited

U.S. PATENT DOCUMENTS

5,144,888 A 9/1992 Heine et al.
 5,277,132 A 1/1994 Korb
 5,323,713 A 6/1994 Luyk et al.
 5,351,368 A 10/1994 Borst
 5,490,467 A 2/1996 Diffrient
 5,549,055 A 8/1996 Kusch
 5,598,790 A 2/1997 Fich
 5,662,298 A 9/1997 Collins
 5,666,888 A 9/1997 Dame et al.
 D386,631 S 11/1997 Meier et al.
 6,279,489 B1* 8/2001 Daniel A47B 17/00
 108/50.01
 6,283,043 B1 9/2001 Stern et al.
 6,302,035 B1 10/2001 Frenkler et al.
 6,450,107 B1 9/2002 Sanz Novales
 6,474,246 B2 11/2002 Hsu
 6,527,473 B2 3/2003 Chen
 D479,063 S 9/2003 Juneau
 D484,717 S 1/2004 de Blois
 6,725,784 B2 4/2004 Crinion
 D501,103 S 1/2005 Ashby et al.
 D503,298 S 3/2005 Juneau
 6,984,066 B2 1/2006 Borom
 7,308,858 B2 12/2007 Lo et al.
 7,765,937 B2 8/2010 Weissenrieder et al.
 7,798,070 B2 9/2010 Ooba et al.
 D647,324 S 10/2011 Kincaid et al.
 D662,336 S 6/2012 Martin et al.
 8,196,525 B2 6/2012 Flanet
 8,291,833 B2 10/2012 Skiba
 8,347,796 B2 1/2013 Udagawa et al.
 D684,799 S 6/2013 Kong et al.
 8,701,568 B2 4/2014 Miller et al.
 D717,572 S 11/2014 Morrison
 8,960,106 B2 2/2015 Kumazawa
 D732,852 S 6/2015 Park et al.

D734,630 S 7/2015 Bolton et al.
 9,089,209 B2 7/2015 Matthai et al.
 9,095,209 B2 8/2015 Mirth et al.
 D770,205 S 11/2016 Lin
 D772,621 S 11/2016 Levy
 D772,623 S 11/2016 Lin
 D775,876 S 1/2017 Gaschy et al.
 D779,500 S* 2/2017 Miller D14/451
 D781,085 S* 3/2017 Liu D6/691
 D782,228 S* 3/2017 Gharabegian D6/691
 9,706,840 B2 7/2017 Tsuchiyama et al.
 D799,248 S 10/2017 Miller et al.
 D801,092 S* 10/2017 Merritt D6/691
 D808,204 S* 1/2018 Davis D6/691
 9,943,954 B2 4/2018 Bryant
 10,231,537 B2* 3/2019 Miller A47B 13/00
 D845,046 S* 4/2019 Velez D6/691.1
 D851,432 S* 6/2019 Salto D6/691
 2003/0010260 A1 1/2003 Chang
 2008/0295745 A1 12/2008 Hamilton et al.
 2010/0192812 A1 8/2010 Yul et al.
 2012/0000402 A1 1/2012 Jimenez Mangas et al.
 2013/0319296 A1 12/2013 Lio et al.
 2015/0150370 A1* 6/2015 Korb A47B 13/06
 108/155
 2018/0020822 A1* 1/2018 Miller A47B 13/00
 108/69

FOREIGN PATENT DOCUMENTS

DE 9201549 U1 3/1992
 DE 29914651 U1 11/1999
 EP 0707807 A2 4/1996
 EP 0707807 A3 8/1996
 FR 2659400 B1 8/1992
 GB 2417288 A 2/2006
 WO WO 03048588 A1 6/2003
 WO WO 2013/157777 A1 10/2013

* cited by examiner

