



US00D915802S

(12) **United States Design Patent** (10) **Patent No.:** **US D915,802 S**
Dai (45) **Date of Patent:** **** Apr. 13, 2021**

(54) **SHELF UNIT**

(71) Applicant: **SHENZHEN GUYU NETWORK TECHNOLOGY CO., LTD.**, Shenzhen (CN)

(72) Inventor: **Liuxiang Dai**, Shenzhen (CN)

(73) Assignee: **SHENZHEN GUYU HOME TECHNOLOGY CO., LTD.**, Shenzhen (CN)

(**) Term: **15 Years**

(21) Appl. No.: **29/728,619**

(22) Filed: **Mar. 19, 2020**

(51) **LOC (13) Cl.** **06-06**

(52) **U.S. Cl.**
USPC **D6/675.1**

(58) **Field of Classification Search**
USPC ... D6/657, 663-664, 672, 672.1, 675, 675.1, D6/675.2, 682, 682.1, 682.2
CPC A47B 21/00; A47B 21/04; A47B 47/00; A47B 47/021; A47B 83/001; A47B 87/00
See application file for complete search history.

(56) **References Cited**

U.S. PATENT DOCUMENTS

D244,982 S	7/1977	Parra	
D271,646 S	12/1983	Thompson	
D283,094 S *	3/1986	Strand	D6/654
D314,103 S	1/1991	Yau	
D323,256 S	1/1992	Kee	
D328,400 S	8/1992	Kee	
D401,440 S *	11/1998	Brandenberg	D6/654
D422,161 S *	4/2000	Pan	D6/648.1
D426,085 S *	6/2000	Shu-Fen	D6/653.11
D427,804 S *	7/2000	Olson	D6/653
D452,085 S *	12/2001	Chang	D6/652

D464,501 S *	10/2002	Lin	D6/653.18
D465,941 S *	11/2002	Ko	D6/653
D469,270 S *	1/2003	Hawang	D6/653.14
D498,369 S	11/2004	McDaniel et al.	
D508,344 S *	8/2005	Hwang	D6/653
D508,801 S *	8/2005	Holst	D6/675.1
D541,558 S *	5/2007	Meyer	D6/675.1
D547,093 S	7/2007	Butters	
D603,627 S *	11/2009	Wen	D6/656.16
D618,017 S *	6/2010	Sexton	D6/656.18
D743,188 S *	11/2015	Denby	D6/652
D798,637 S	10/2017	Min	
D828,704 S *	9/2018	Sakakibara	D6/642
D836,956 S *	1/2019	Tsuchiyama	D6/675.1

* cited by examiner

Primary Examiner — Kelley A Donnelly

(74) *Attorney, Agent, or Firm* — Law Offices of Steven W. Weinrieb

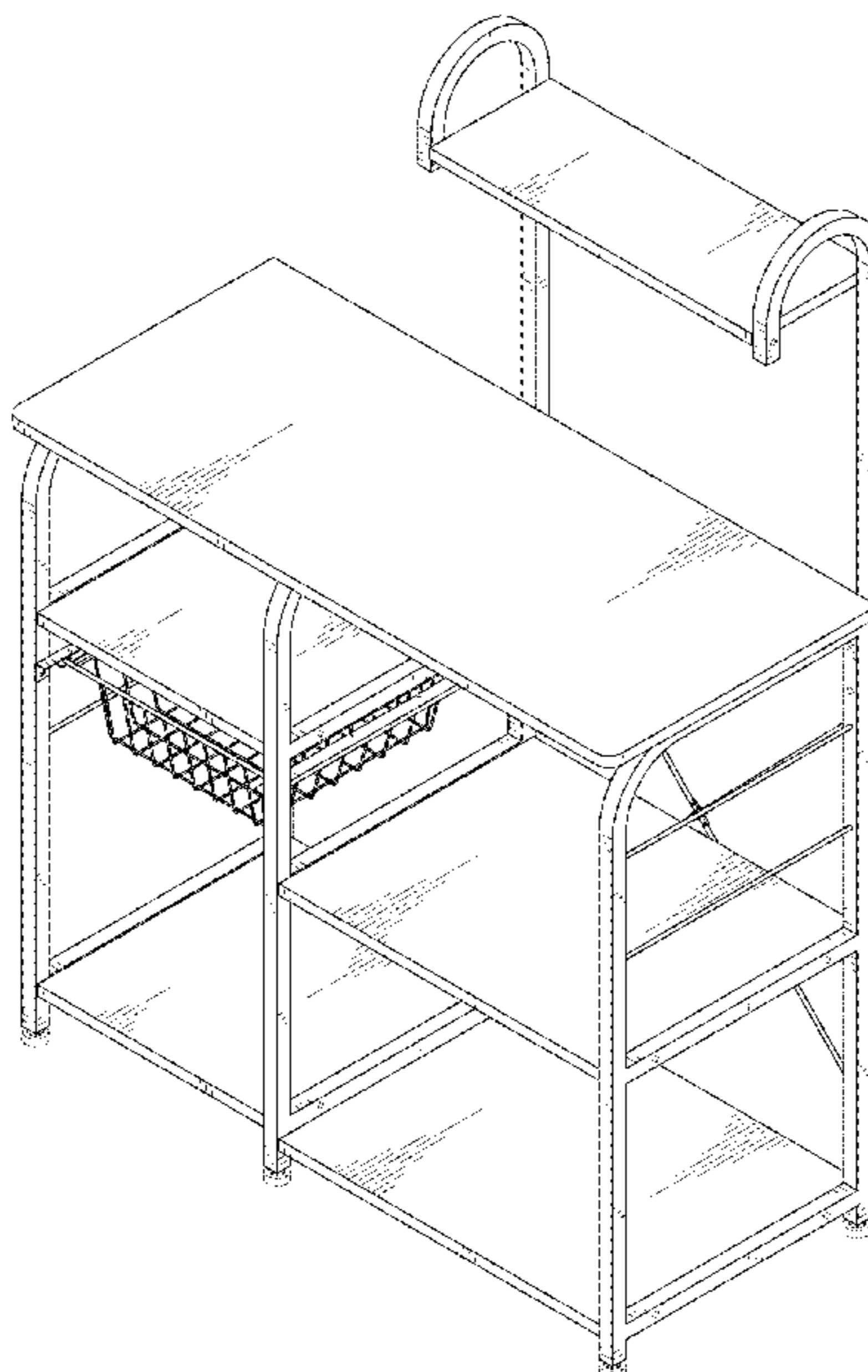
(57) **CLAIM**

The ornamental design for a shelf unit, as shown and described.

DESCRIPTION

FIG. 1 is a front, right side, top perspective view of a shelf unit showing my new design;
FIG. 2 is a rear left side, bottom perspective view thereof;
FIG. 3 is a front elevational view thereof;
FIG. 4 is a rear elevational view thereof;
FIG. 5 is a left side elevational view thereof;
FIG. 6 is a right side elevational view thereof;
FIG. 7 is a top plan view thereof;
FIG. 8 is a bottom plan view thereof; and,
FIG. 9 is a front, right side top perspective view of the shelf unit when a basket component of the shelf unit has been partially withdrawn out from the shelf unit.
The broken lines depict portions of the shelf unit that form no part of the claimed design.

1 Claim, 9 Drawing Sheets



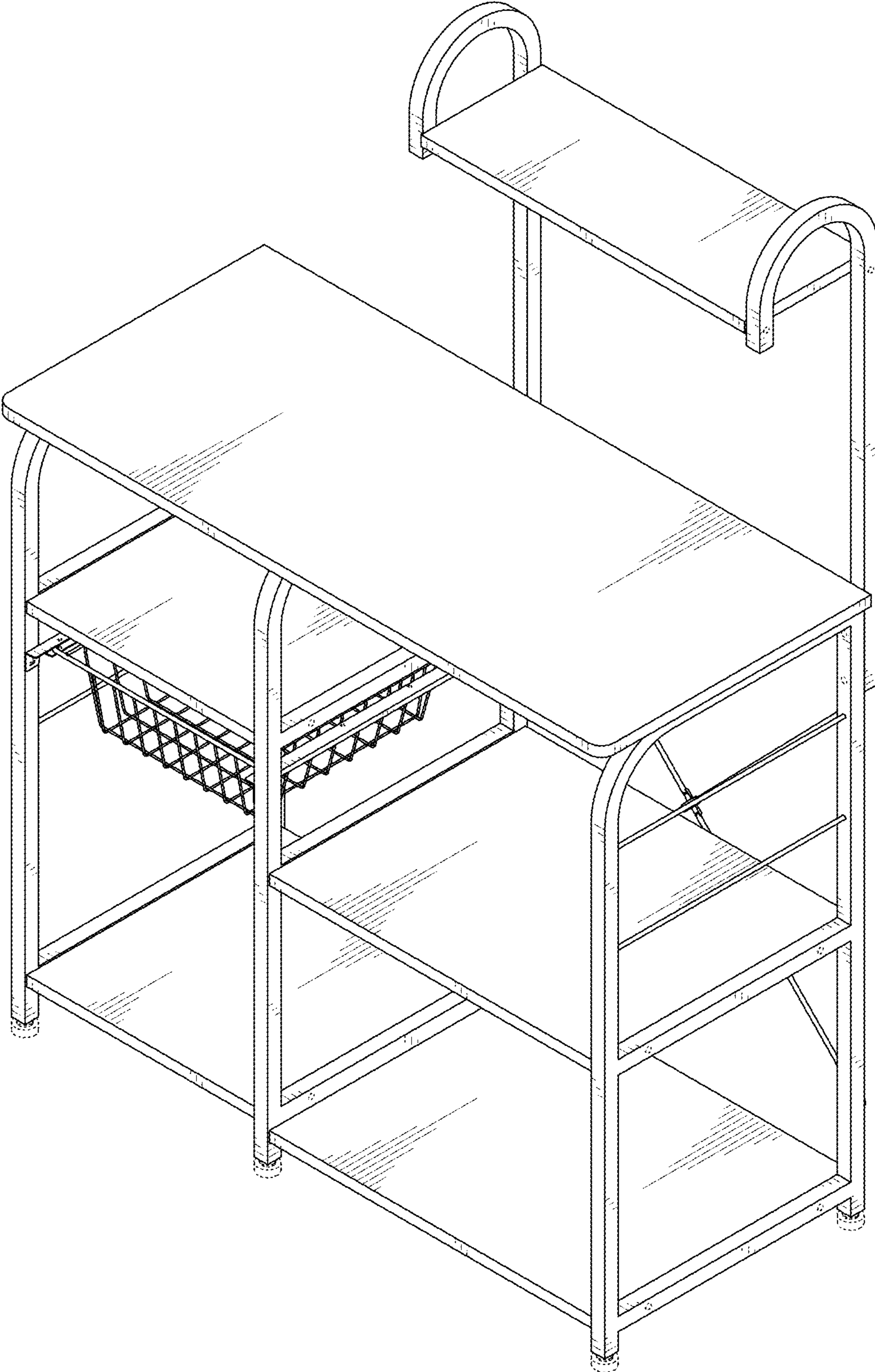


FIG. 1

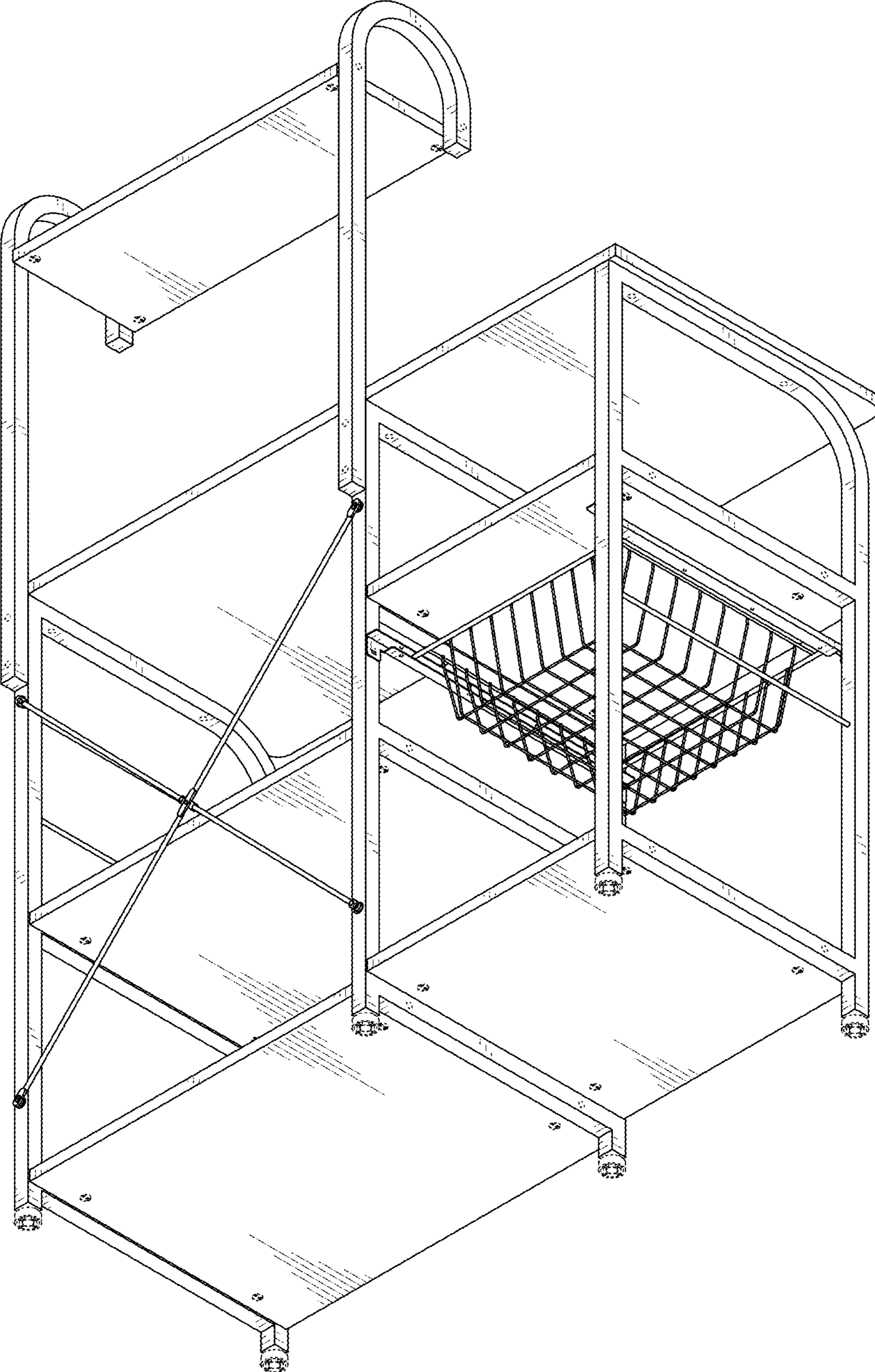


FIG. 2

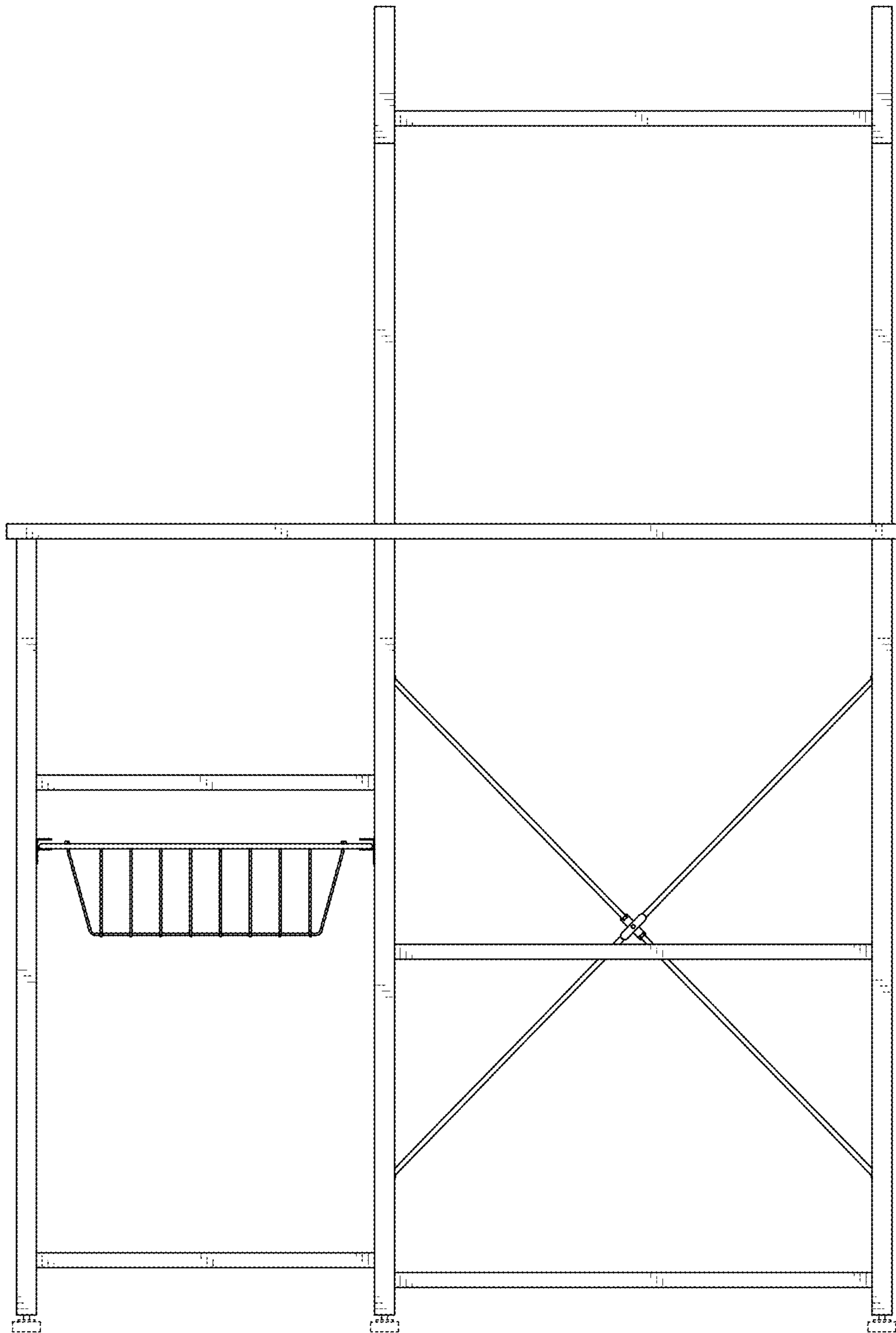


FIG. 3

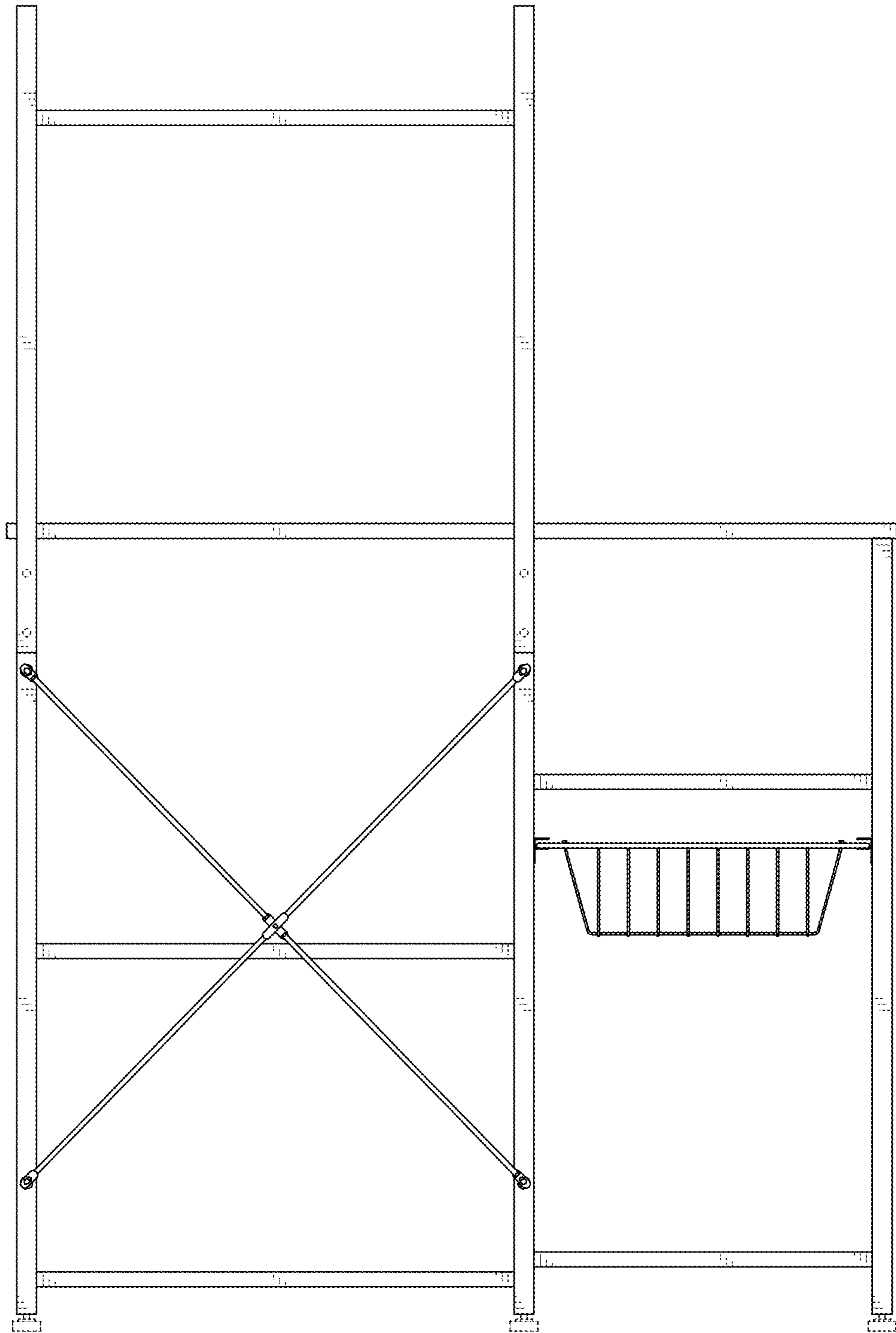


FIG. 4

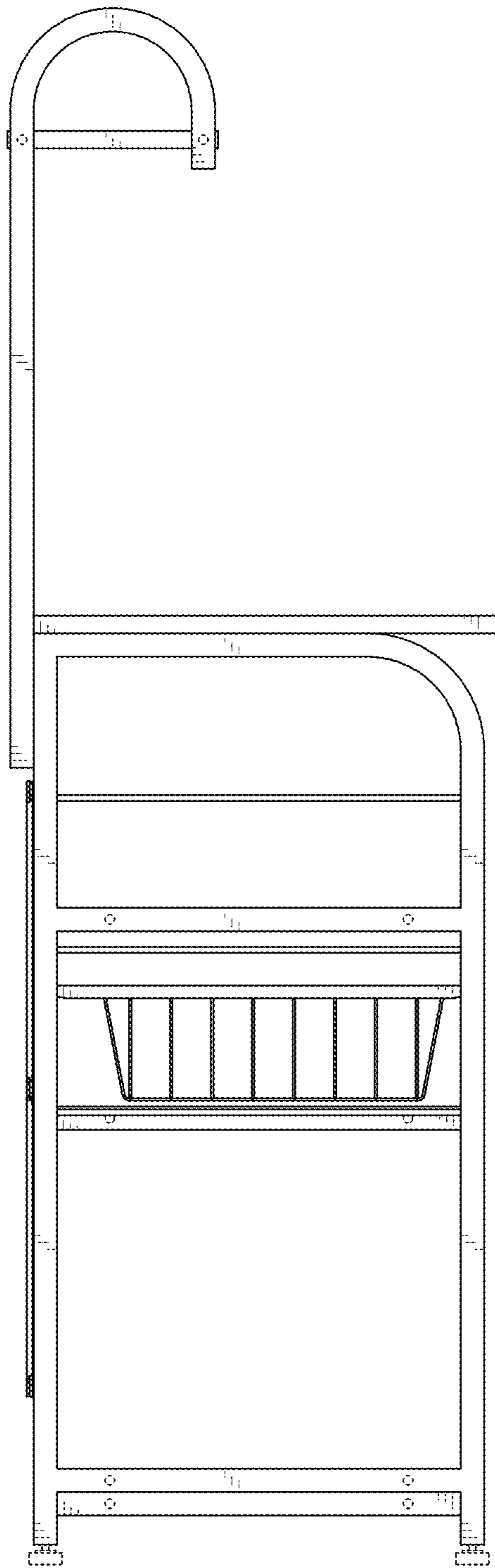


FIG. 5

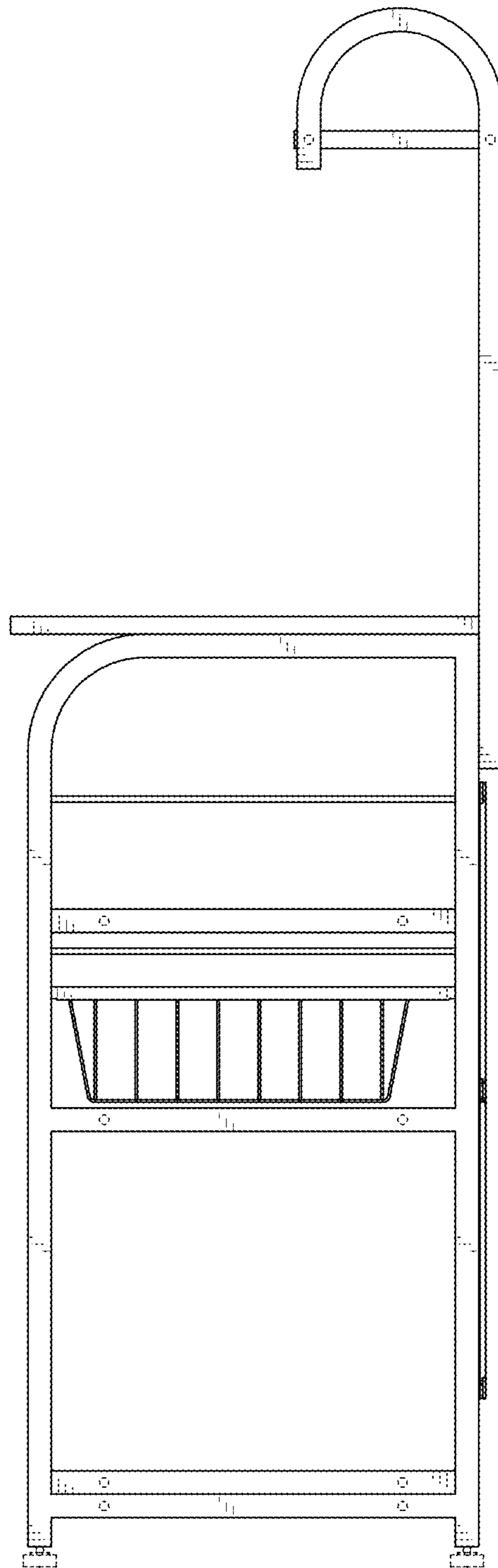


FIG. 6

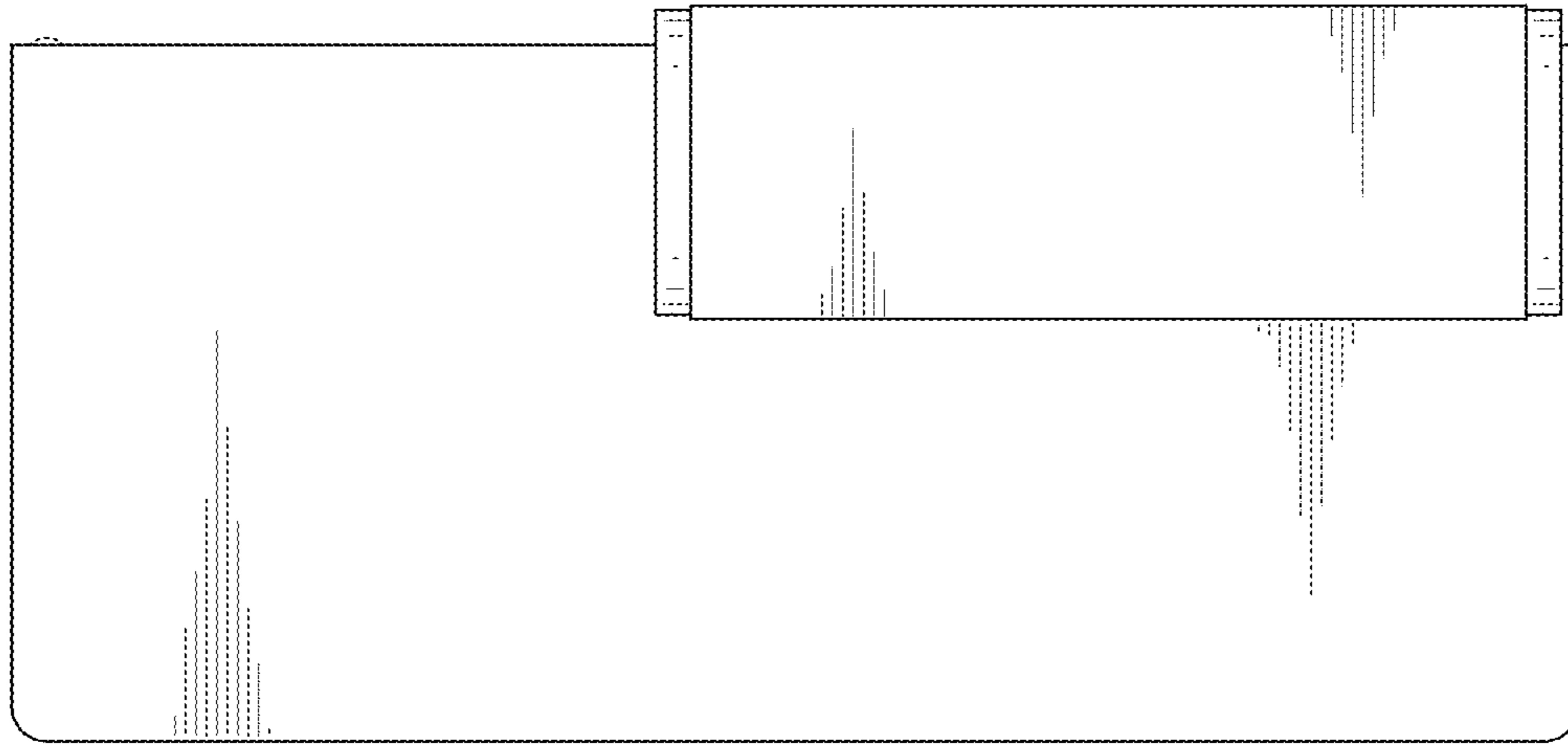


FIG. 7

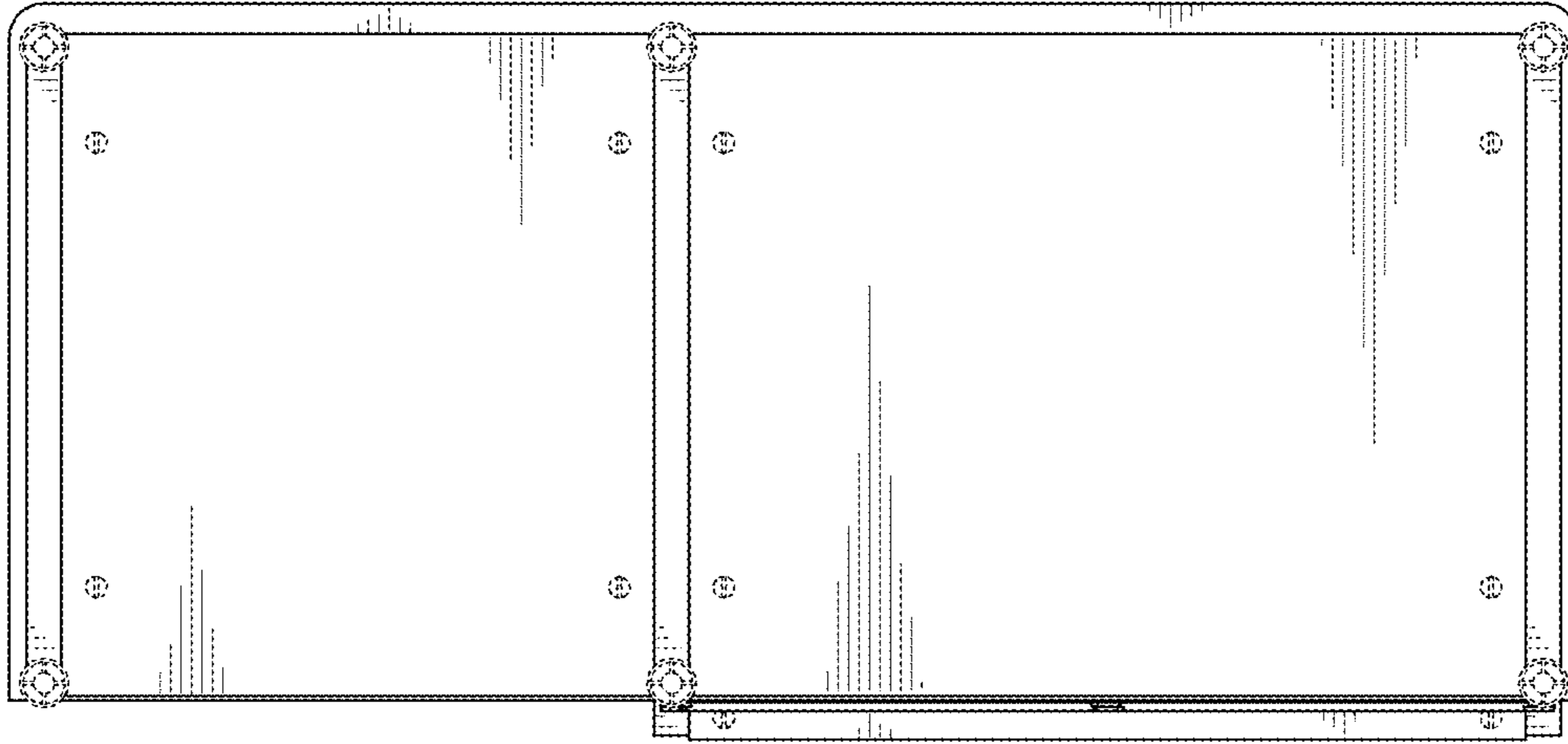


FIG. 8

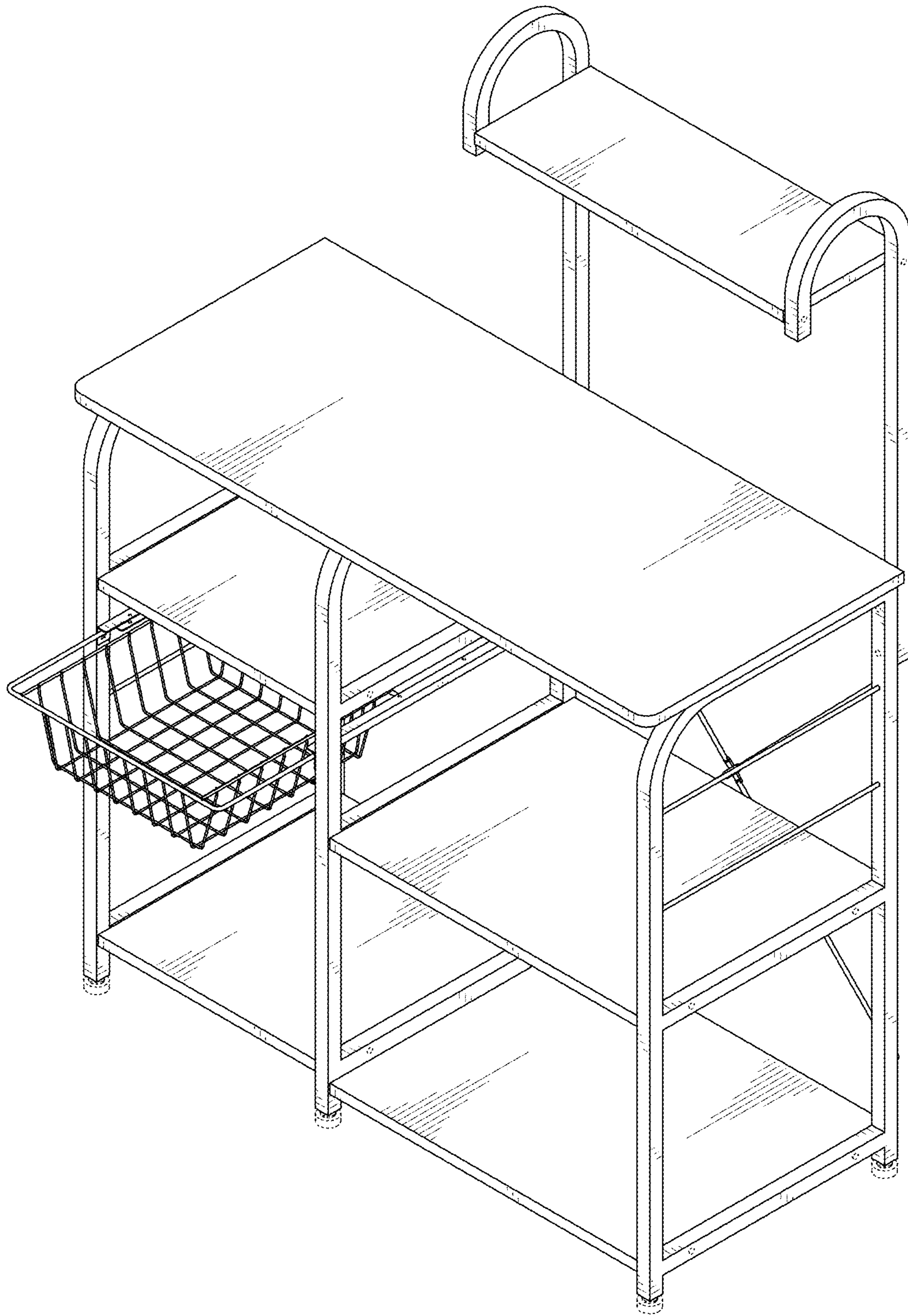


FIG. 9