

US00D915798S

(12) **United States Design Patent**  
**Smith et al.**

(10) **Patent No.:** **US D915,798 S**  
(45) **Date of Patent:** **\*\* Apr. 13, 2021**

- (54) **DISPLAY STAND**
- (71) Applicants: **William Thomas Smith**, Fair Oaks, CA (US); **Cheryl Ann Smith**, Fair Oaks, CA (US)
- (72) Inventors: **William Thomas Smith**, Fair Oaks, CA (US); **Cheryl Ann Smith**, Fair Oaks, CA (US)
- (73) Assignee: **ALL PLASTIC, INC.**, Rancho Cordova, CA (US)
- (\*\*) Term: **15 Years**
- (21) Appl. No.: **29/667,736**
- (22) Filed: **Oct. 24, 2018**
- (51) **LOC (13) Cl.** ..... **06-04**
- (52) **U.S. Cl.**  
USPC ..... **D6/672**
- (58) **Field of Classification Search**  
USPC ..... D6/657, 659, 661.3, 667, 668, 677, D6/677.5, 672; D9/414, 415, 428, 432, D9/504  
CPC .... A47F 3/00; A47F 3/08; A47F 3/004; A47F 3/005; A47F 3/10; A47F 7/0057; B65D 21/022; B65D 23/12; B65D 85/52; B65D 90/08  
See application file for complete search history.

- D645,750 S \* 9/2011 Lee ..... D9/504
- D665,197 S \* 8/2012 Allameh ..... D6/661.3
- D698,641 S 2/2014 Theisen et al.
- D702,555 S \* 4/2014 Park ..... D9/504
- 8,904,682 B1 \* 12/2014 Lavilla ..... A47F 3/001  
40/431
- D731,891 S \* 6/2015 Servaire ..... D9/504
- D746,156 S \* 12/2015 Bondioli ..... D9/772
- D756,226 S 5/2016 In et al.

(Continued)

**OTHER PUBLICATIONS**

Facebook Publication. Micro-Showcase © Bud Pod ©, dated Aug. 2, 2014. Available: <https://www.facebook.com/BudBarDisplays/photos/a.752032364838994/752029241505973/?type=3&theater>.

(Continued)

*Primary Examiner* — R. Johnson  
(74) *Attorney, Agent, or Firm* — Ballard Spahr LLP

(57) **CLAIM**

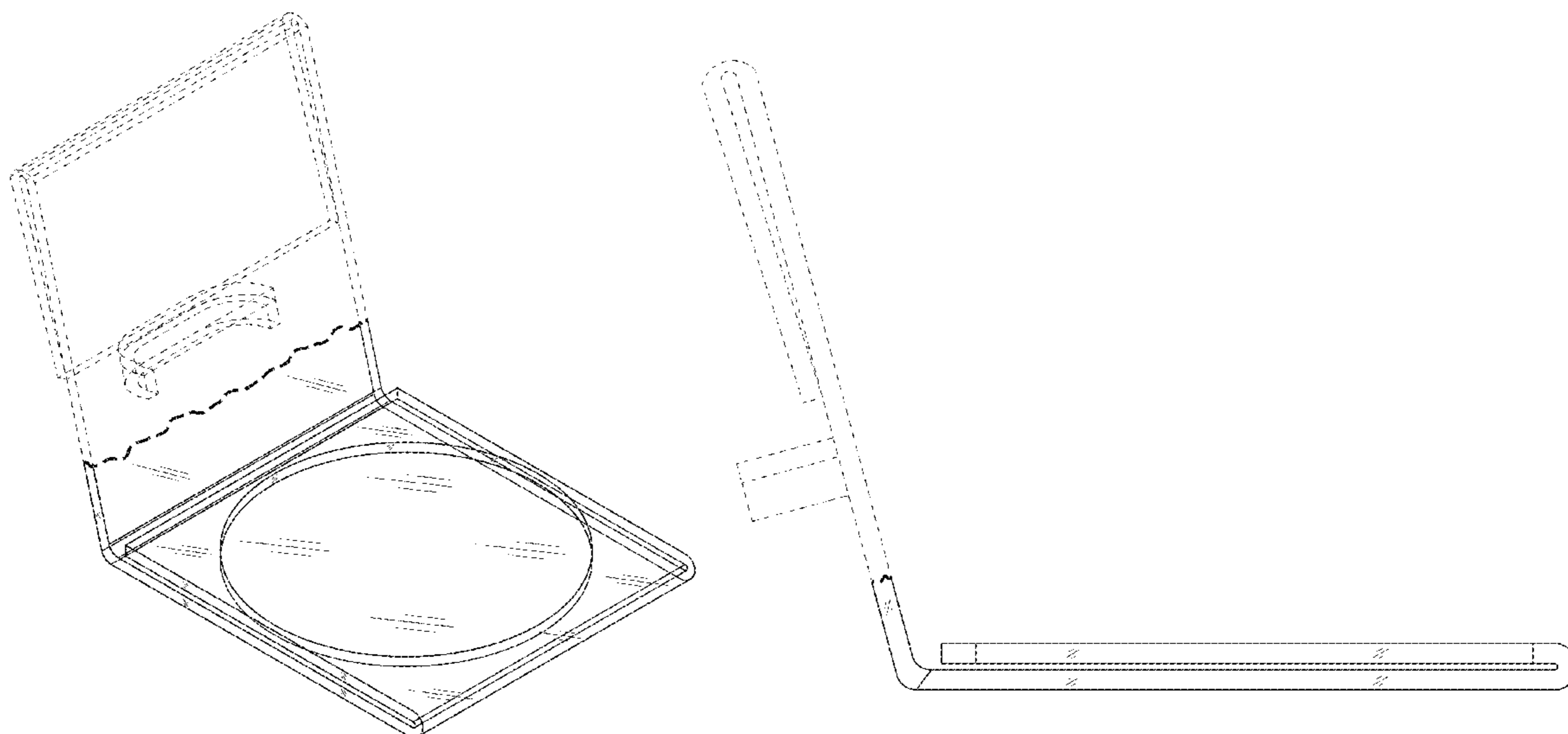
We claim the ornamental design for a display stand, as shown and described.

**DESCRIPTION**

FIG. 1 is a left perspective view a display stand according to our invention;  
FIG. 2 is a right perspective view thereof;  
FIG. 3 is a top plan view thereof;  
FIG. 4 is a bottom plan view thereof;  
FIG. 5 is a left side view of thereof;  
FIG. 6 is a right side view thereof;  
FIG. 7 is a front view thereof;  
FIG. 8 is a rear view thereof; and,  
FIG. 9 is another perspective view thereof.  
The broken lines depict portions of the display stand that form no part of the claimed design. The broken, wavy lines define the boundary of the design and form no part of the claimed design.

**1 Claim, 9 Drawing Sheets**

- (56) **References Cited**  
U.S. PATENT DOCUMENTS  
D244,259 S \* 5/1977 Bergstein ..... D9/418  
5,248,870 A 9/1993 Redal  
D393,104 S 3/1998 Wolff  
D437,711 S 2/2001 Berg  
D473,075 S \* 4/2003 Malle ..... D25/16  
D505,841 S 6/2005 Fiedeler et al.  
D526,855 S 8/2006 Wolff  
D550,515 S 9/2007 Chiang et al.  
D597,767 S \* 8/2009 Colin ..... D6/661.3



(56)

**References Cited**

U.S. PATENT DOCUMENTS

D758,847 S	6/2016	Stuart et al.	
D769,653 S	10/2016	Peltosaari	
D812,939 S *	3/2018	Modlin .....	D6/677
D814,831 S *	4/2018	Modlin .....	D6/677
D832,698 S	11/2018	Ugialoro	
D859,894 S	9/2019	Smith et al.	
2006/0278665 A1	12/2006	Bennett	
2017/0275075 A1*	9/2017	Bamonte .....	B65D 21/0219
2018/0362215 A1*	12/2018	Whetsel .....	B65D 25/54

OTHER PUBLICATIONS

Facebook Publication dated Oct. 22, 2016. <https://www.facebook.com/BudBarDisplays/photos/a.1250515684990657/1251440661564826/?type=3&theater>.  
 Magazine Ad for Bud Bar Displays 198 . 3rd Annual Marijuana Business Conference & Expo, Las Vegas, NV, Nov. 1, 2014. 3 pages.  
 Magazine Ad for Bud Bar Displays <sup>TM</sup>. Marijuana Venture Magazine, Jun. 1, 2017. 3 pages.  
 Pictures of Bud Bar Displays <sup>TM</sup> booth at the KushCon Convention, which features the Epods. Denver, Colorado, Dec. 1, 2010. 3 pages.

Website photo. Bad Bar Counter. [www.budbardisplays.com](http://www.budbardisplays.com). Published Jan. 23, 2016.  
 Website photo. Aroma epod. [www.budbardisplays.com](http://www.budbardisplays.com). Published Jan. 23, 2016.  
 Website photo. Highlight display. [www.budbardisplays.com](http://www.budbardisplays.com). Published Jan. 23, 2016.  
 Website photo. 3 Tier Lighted Display. [www.budbardisplays.com](http://www.budbardisplays.com). Published Jul. 9, 2017.  
 Website photo. Bud bar cabinet. [www.budbardisplays.com](http://www.budbardisplays.com). Published Jul. 9, 2017.  
 Website photo. Eco Pod Cabinet. [www.budbardisplays.com](http://www.budbardisplays.com). Published Jul. 9, 2017.  
 Website photo. Unnamed pod. [www.budbardisplays.com](http://www.budbardisplays.com). Published Jul. 9, 2017.  
 Website photo. e-Pod. [www.budbardisplays.com](http://www.budbardisplays.com). Published Jul. 9, 2017.  
 Website photo. Sample pod package. [www.budbardisplays.com](http://www.budbardisplays.com). Published Jul. 9, 2017.  
 Website photo. Xractpod12. [www.budbardisplays.com](http://www.budbardisplays.com). Published Jul. 9, 2017.  
 "Napkin Holder." Publication believed to be in 2016 (unable to confirm publication date) (1 page).  
 shopPOPdisplays. "Clear Acrylic Coaster Set w/ Rack." Available: <https://www.shoppopdisplays.com/11215/clear-acrylic-coaster-set-w-rack.html>. Earliest known date: Jul. 25, 2016 (5 pages).

\* cited by examiner

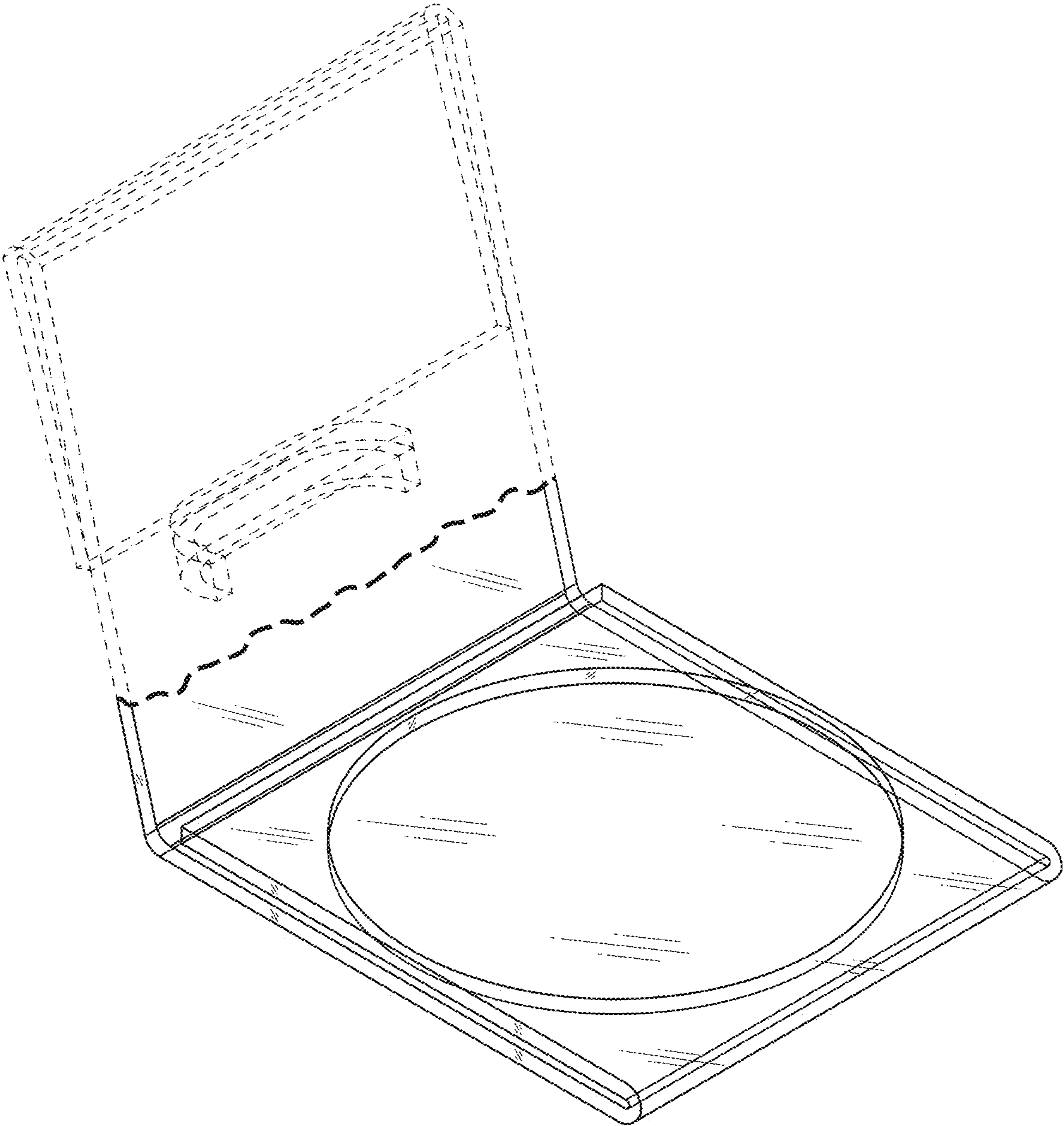


FIG. 1

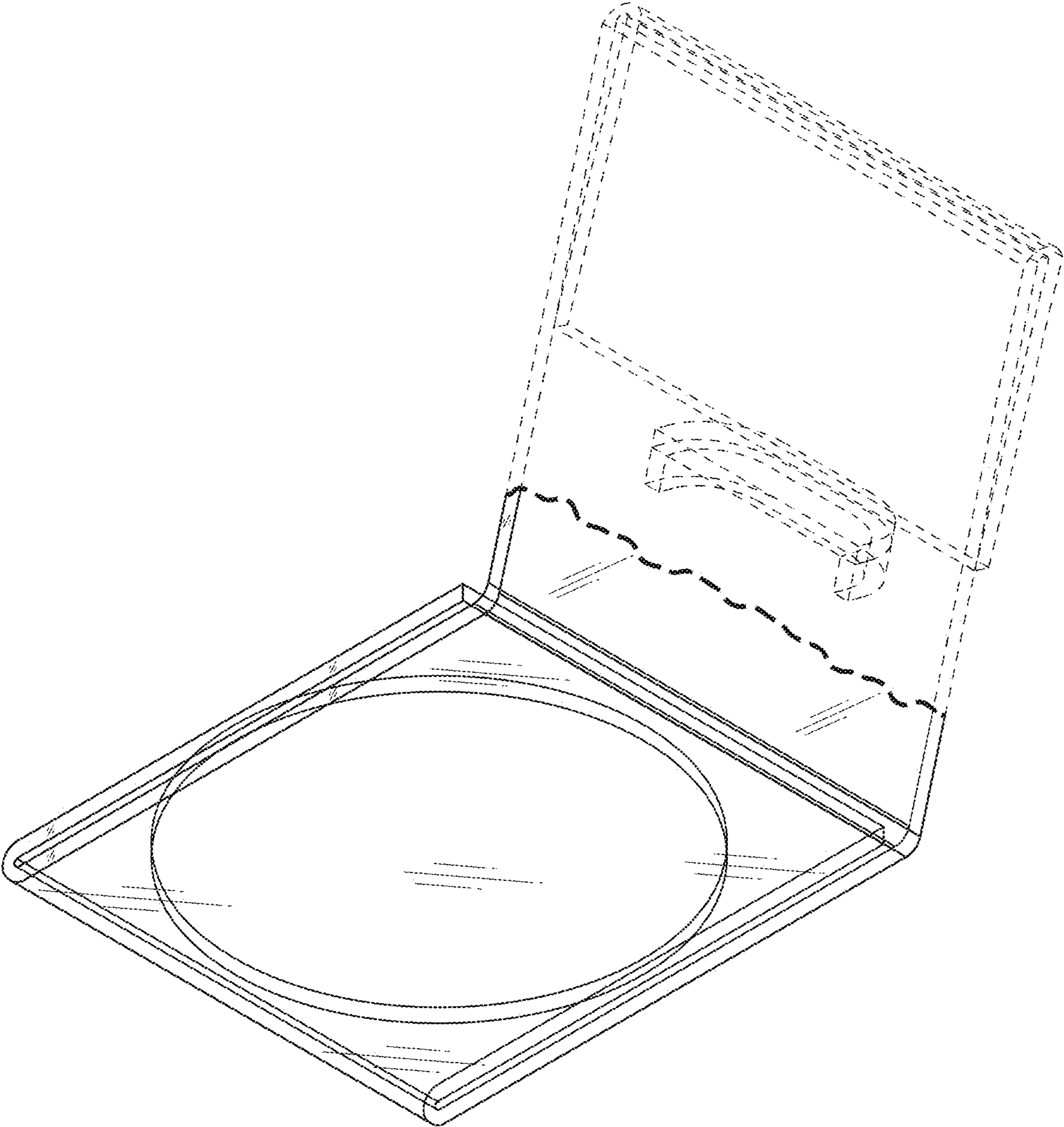


FIG. 2

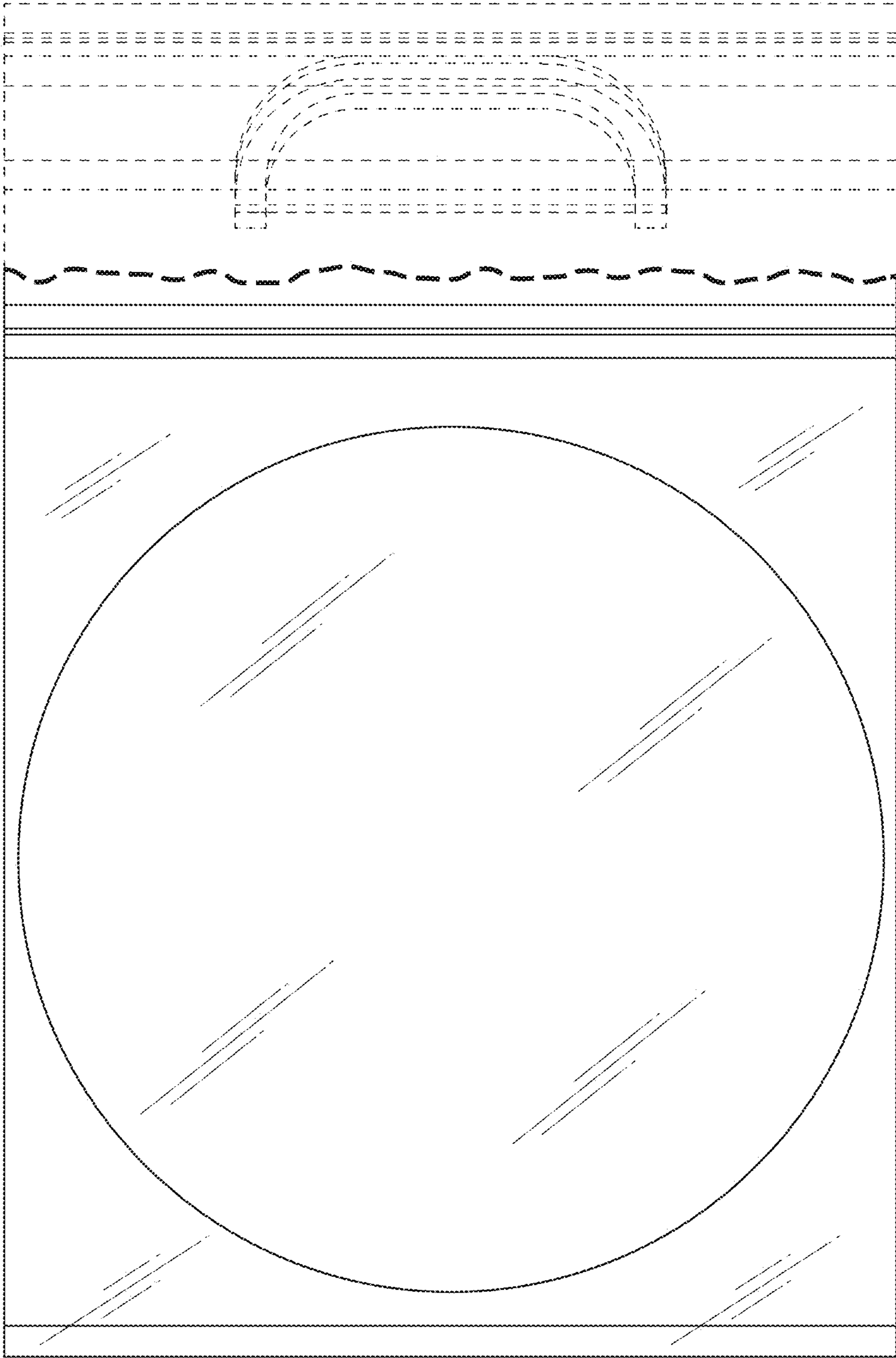


FIG. 3

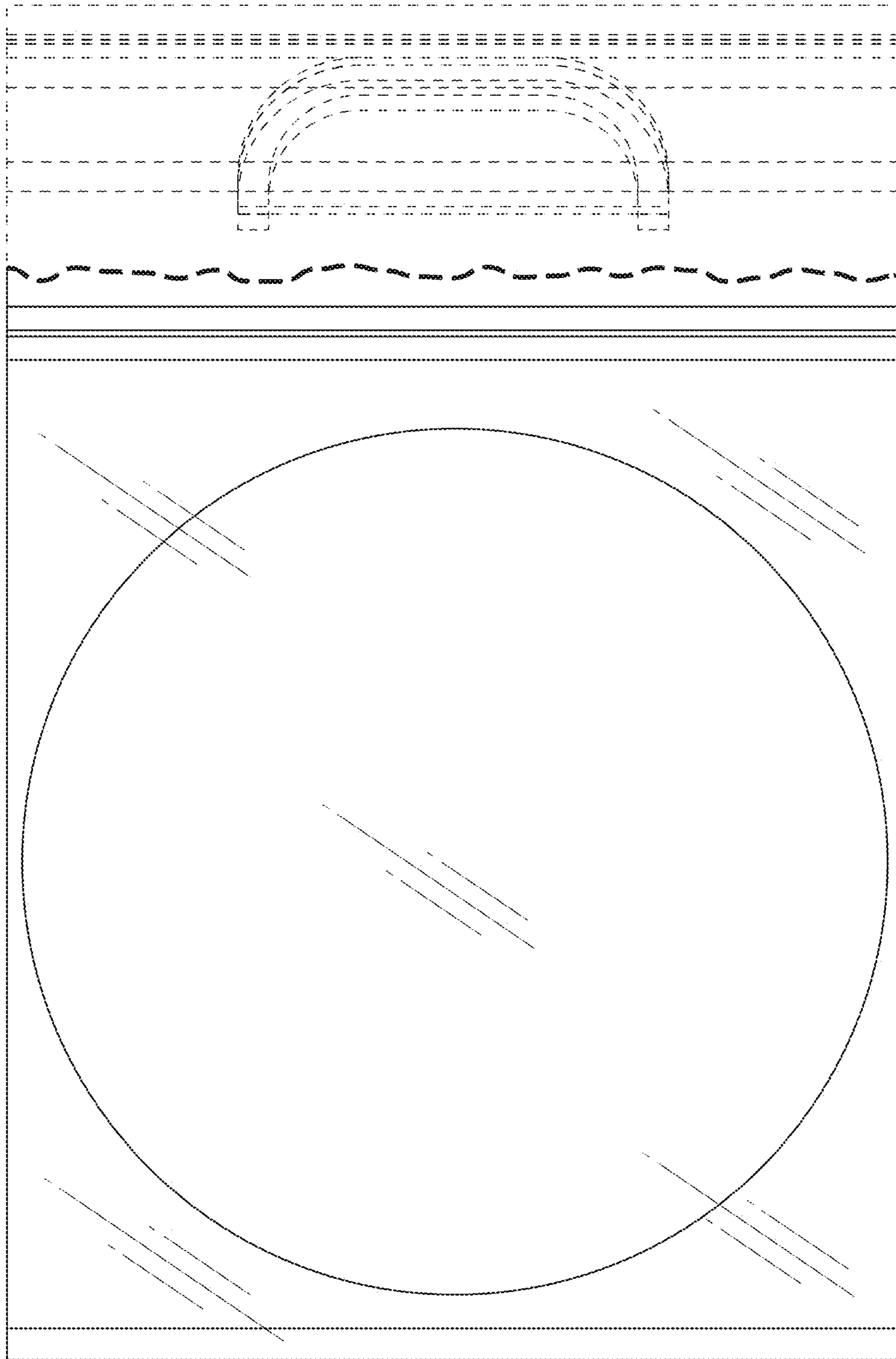


FIG. 4

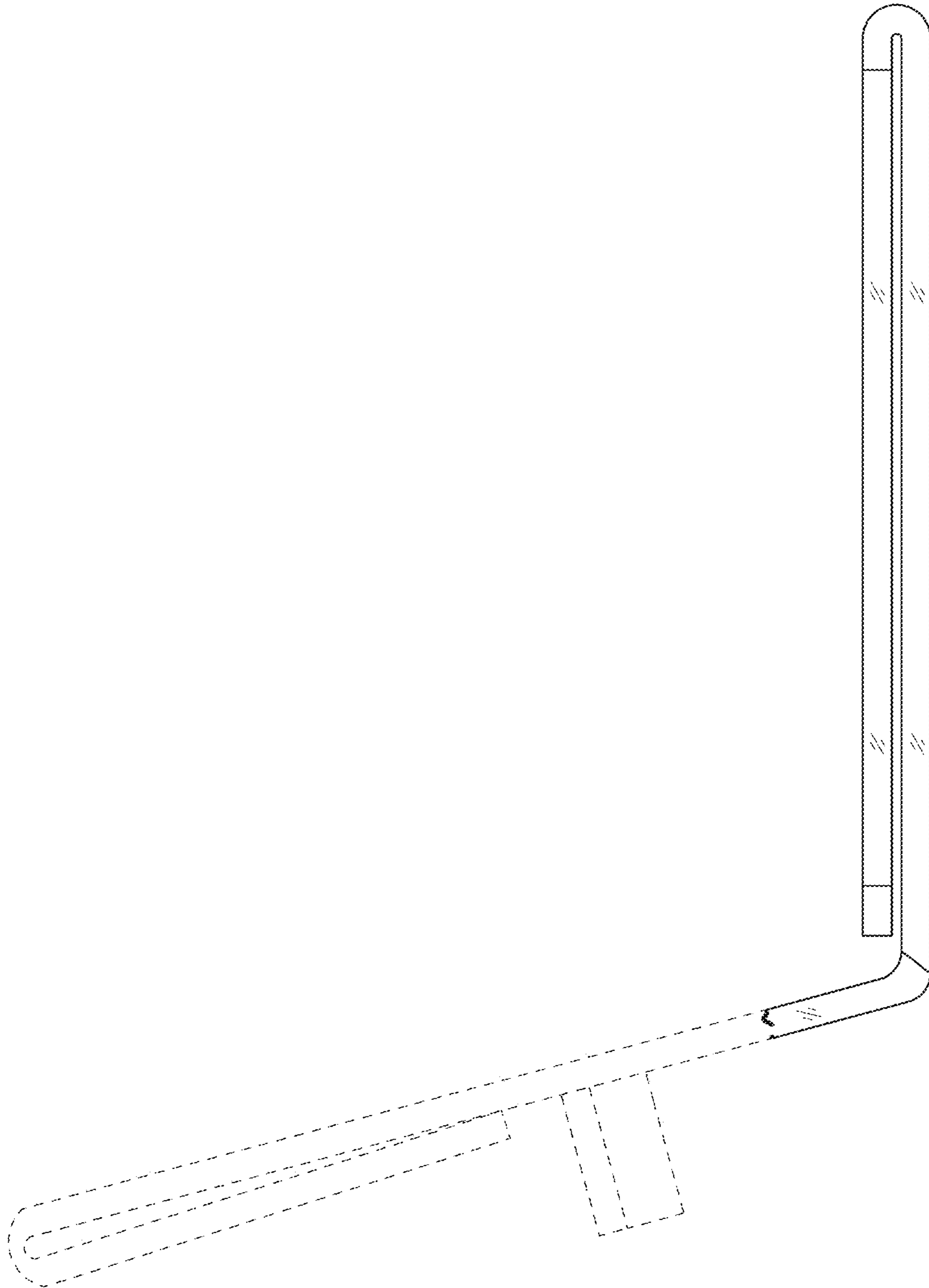


FIG. 5

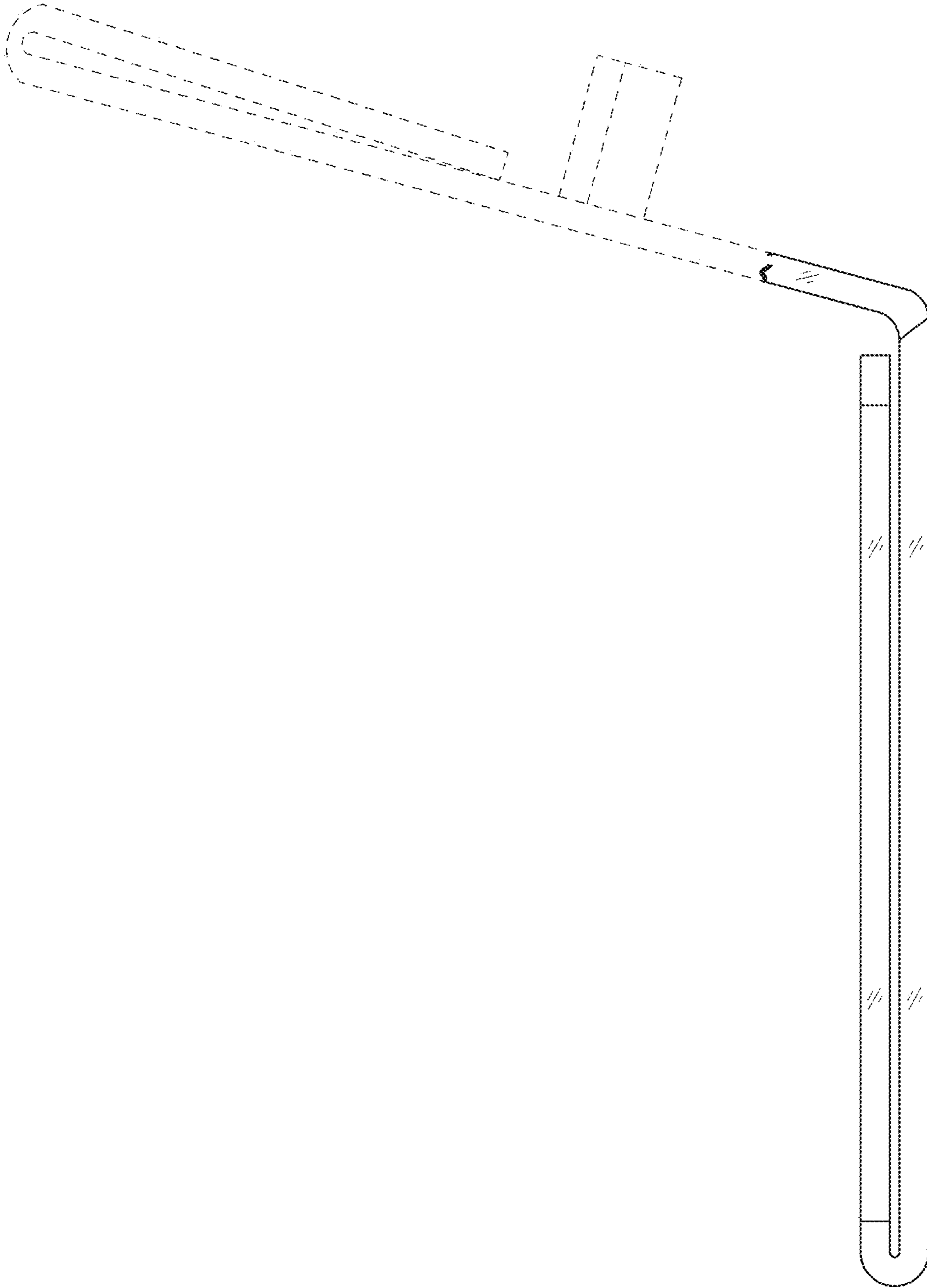


FIG. 6



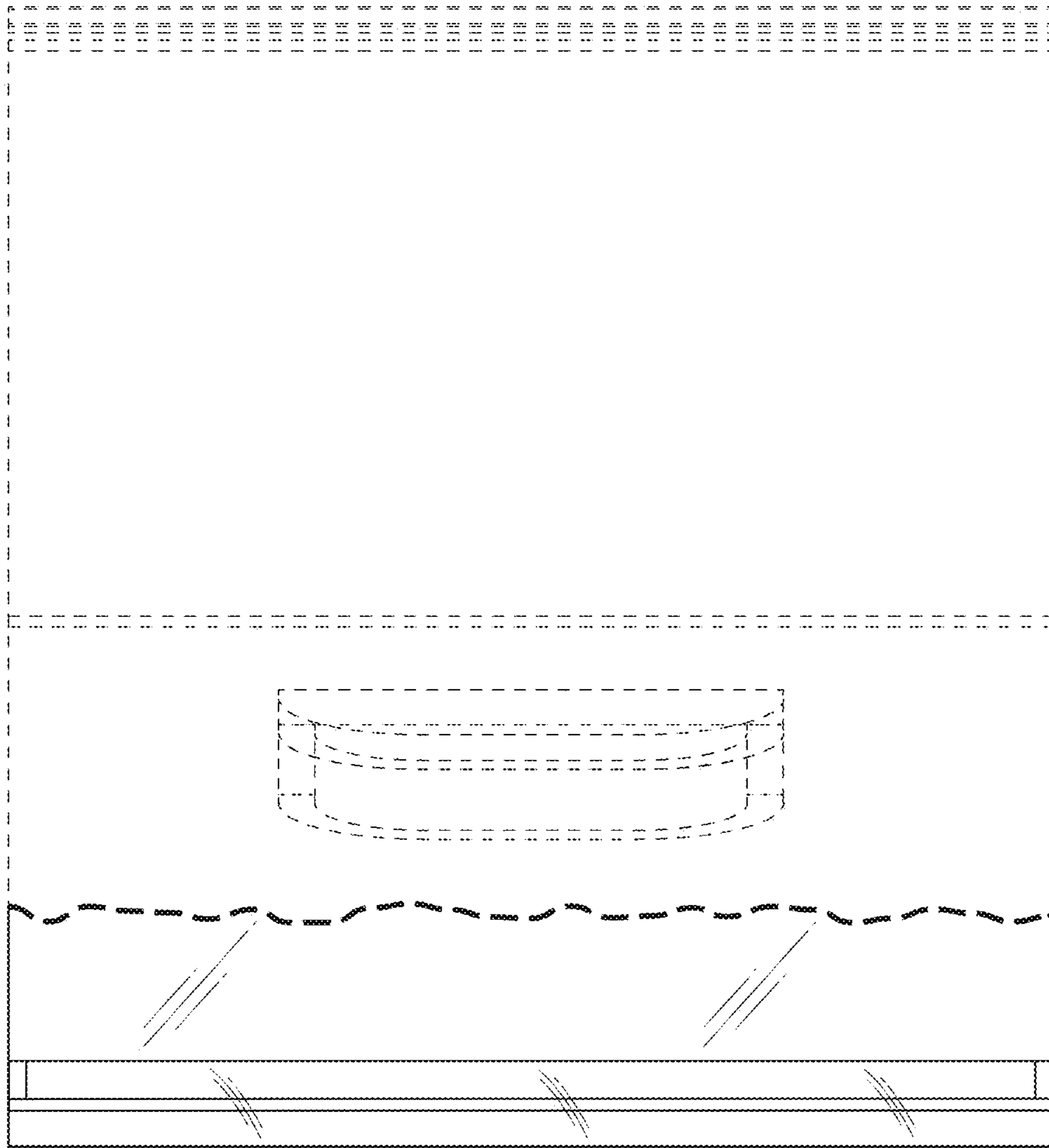


FIG. 7

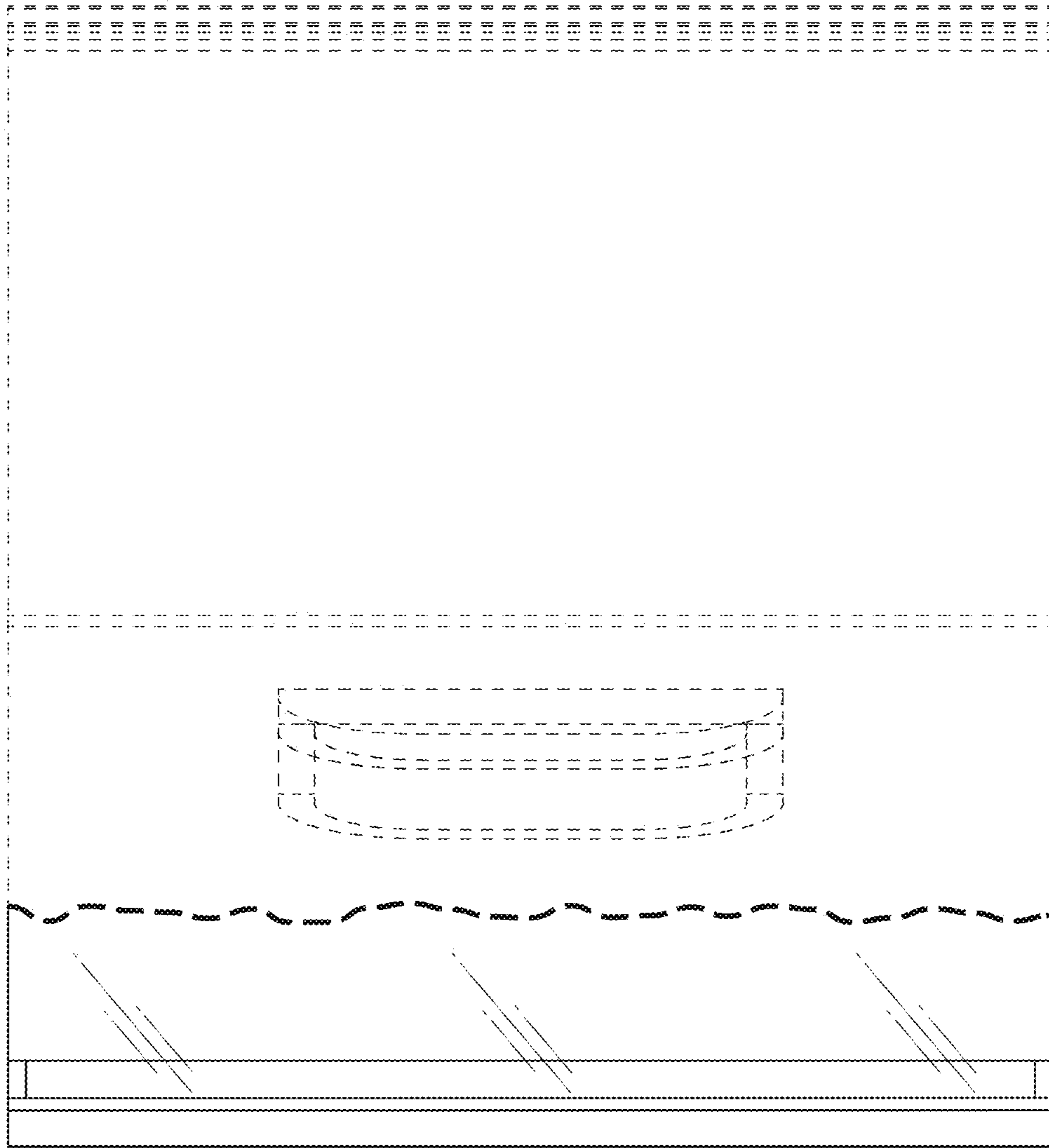


FIG. 8

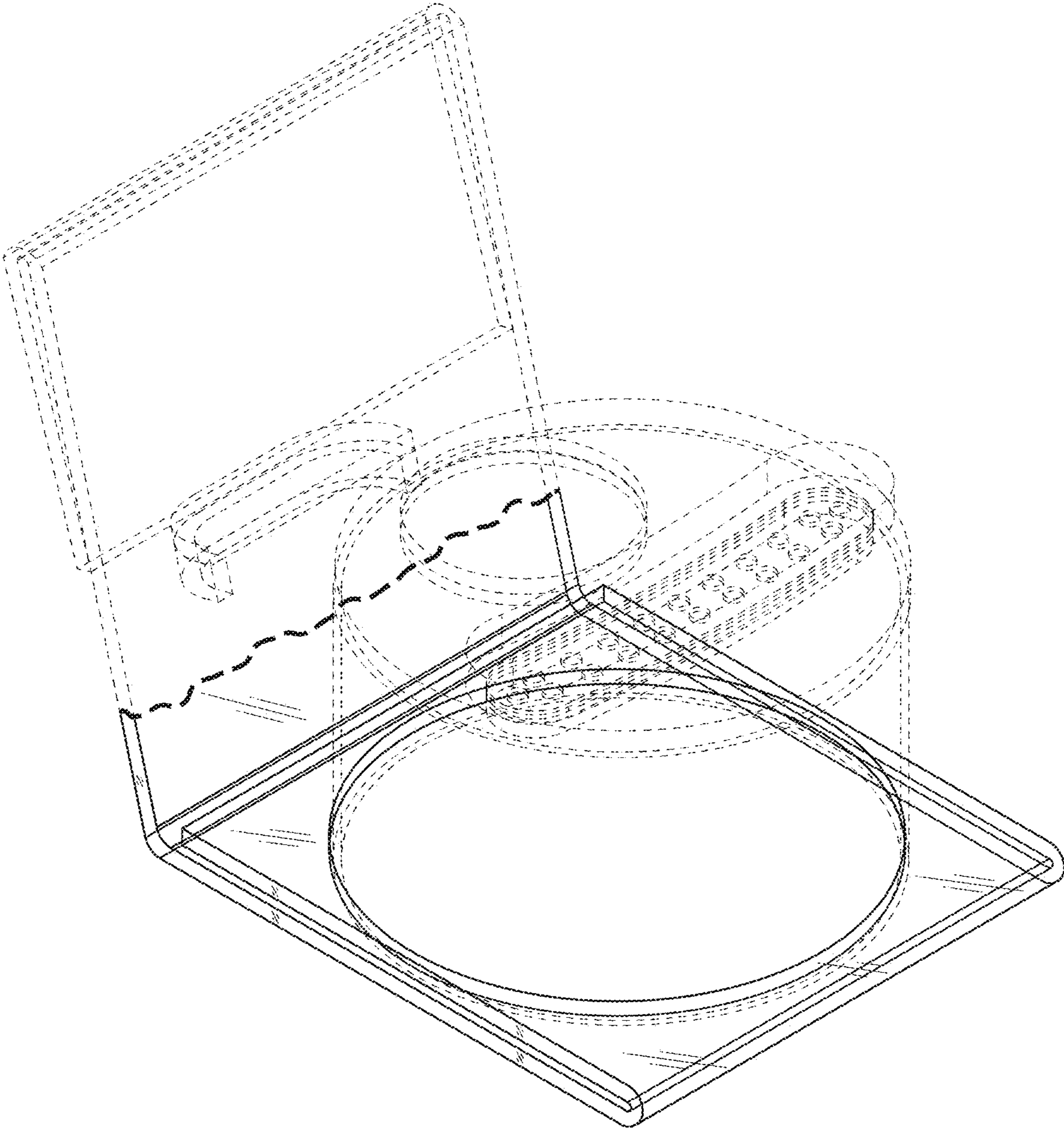


FIG. 9