



US00D915797S

(12) **United States Design Patent** (10) **Patent No.:** **US D915,797 S**
Ding Yik Ming et al. (45) **Date of Patent:** **** Apr. 13, 2021**

- (54) **MOBILE STORAGE ARRANGEMENT**
- (71) Applicant: **AMQ Solutions, LLC**, Santa Clara, CA (US)
- (72) Inventors: **Dennis Ding Yik Ming**, Selangor (MY); **Kin Fui Chong**, Singapore (SG); **Jiwon Shin**, Seoul (KR); **Bin Zhang**, Foshan (CN)
- (73) Assignee: **AMQ Solutions, LLC**, Santa Clara, CA (US)

3,092,428 A	6/1963	Kerschner	
3,353,865 A	11/1967	Bass	
D233,292 S *	10/1974	Rosen	D6/671.1
D236,782 S *	9/1975	Sklaroff	D6/671.1
4,318,575 A	3/1982	Redlich	
4,491,375 A	1/1985	Ugalde	
4,822,116 A	4/1989	Relyea et al.	
4,861,122 A	8/1989	Newhouse et al.	
4,915,248 A	4/1990	Chap	
4,958,891 A	9/1990	Taylor et al.	
5,150,760 A	9/1992	Johnson	

(Continued)

(**) Term: **15 Years**

(21) Appl. No.: **29/690,831**

(22) Filed: **May 10, 2019**

(51) **LOC (13) Cl.** **06-04**

(52) **U.S. Cl.**
USPC **D6/657; D6/668.2**

(58) **Field of Classification Search**
USPC D6/657, 663, 664, 668, 668.1, 668.2, D6/671, 671.1, 671.2; D23/273, 297, 298
CPC A47B 17/04; A47B 47/03; A47B 47/04; A47B 67/00; A47B 67/005; A47B 67/04; A47B 88/00; A47B 88/40; A47B 88/42; A47B 45/00
See application file for complete search history.

(56) **References Cited**

U.S. PATENT DOCUMENTS

759,667 A	5/1904	Canberg
791,112 A	5/1905	Rothwell
1,326,809 A	12/1919	Twiss
1,413,595 A	4/1922	Kreuzkamp
2,247,720 A	7/1941	Wonderly
D151,983 S	12/1948	Guertin
2,567,986 A	9/1951	Barrett
2,667,658 A	2/1954	Cornick
2,798,732 A	7/1957	Craig
2,979,242 A	4/1961	Van Huis et al.

FOREIGN PATENT DOCUMENTS

FR 2905297 A3 3/2008

Primary Examiner — Mimoso De

(74) *Attorney, Agent, or Firm* — Price Heneveld LLP

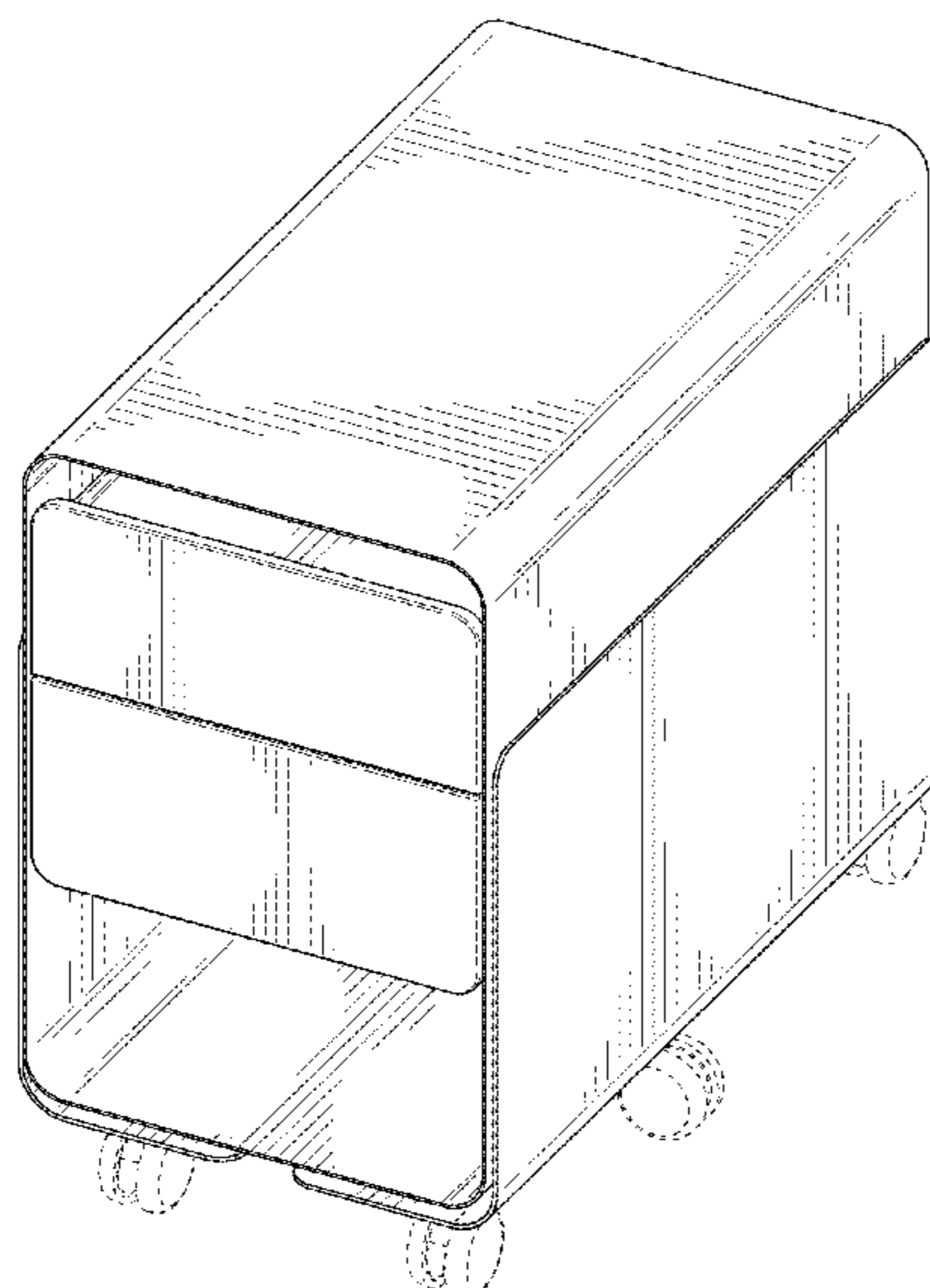
(57) **CLAIM**

The ornamental design for a mobile storage arrangement, as shown.

DESCRIPTION

FIG. 1 is a perspective view of a mobile storage arrangement;
 FIG. 2 is a front elevation view of the mobile storage arrangement;
 FIG. 3 is a rear elevation view of the mobile storage arrangement;
 FIG. 4 is a first side elevation view of the mobile storage arrangement;
 FIG. 5 is a second side elevation view of the mobile storage arrangement;
 FIG. 6 is a top plan view of the mobile storage arrangement;
 and,
 FIG. 7 is a bottom plan view of the mobile storage arrangement.
 The broken lines are for illustrating boundaries and form no part of the claimed ornamental design.

1 Claim, 7 Drawing Sheets



(56)

References Cited

U.S. PATENT DOCUMENTS

D351,508 S	10/1994	Bonazza	D667,602 S	9/2012	Salmon
5,599,078 A	2/1997	Dechene et al.	8,322,732 B2	12/2012	McKay et al.
5,829,859 A	11/1998	Cram	8,480,191 B1	7/2013	Fredricks et al.
D415,359 S	10/1999	Boyd	8,544,860 B2	10/2013	Fan
6,024,427 A	2/2000	Underwood et al.	8,616,663 B2	12/2013	Ton
6,206,495 B1	3/2001	Peterson	8,915,504 B1	12/2014	Seibert
6,398,323 B1	6/2002	Lee	9,038,216 B2	5/2015	Buege et al.
6,474,665 B1	11/2002	Fink et al.	9,079,596 B2	7/2015	Sofy et al.
6,688,615 B2	2/2004	Chen	D753,409 S	4/2016	Gaschy et al.
6,692,011 B2	2/2004	Carlson et al.	9,301,608 B2	4/2016	Lee et al.
6,860,494 B1	3/2005	Chisholm	D759,995 S *	6/2016	Miller D6/668.2
6,953,199 B2	10/2005	Malloy, III	D771,416 S *	11/2016	Miller D6/668.2
D522,770 S *	6/2006	Easton D6/657	D787,238 S *	5/2017	Miller D6/657
7,338,054 B2	3/2008	Pint	D796,872 S	9/2017	Sienkowski et al.
D565,327 S *	4/2008	Gharabegian D6/657	D850,164 S *	6/2019	McKillip D6/668.1
7,574,758 B2	8/2009	Arason et al.	2007/0210685 A1	9/2007	Paquette et al.
7,862,341 B2	1/2011	Durand et al.	2008/0217130 A1	9/2008	Louis
8,146,722 B1	4/2012	Moreno et al.	2009/0127989 A1	5/2009	Liuhong et al.
			2011/0068562 A1	3/2011	Keffeler et al.
			2014/0190780 A1	7/2014	Blazure

* cited by examiner

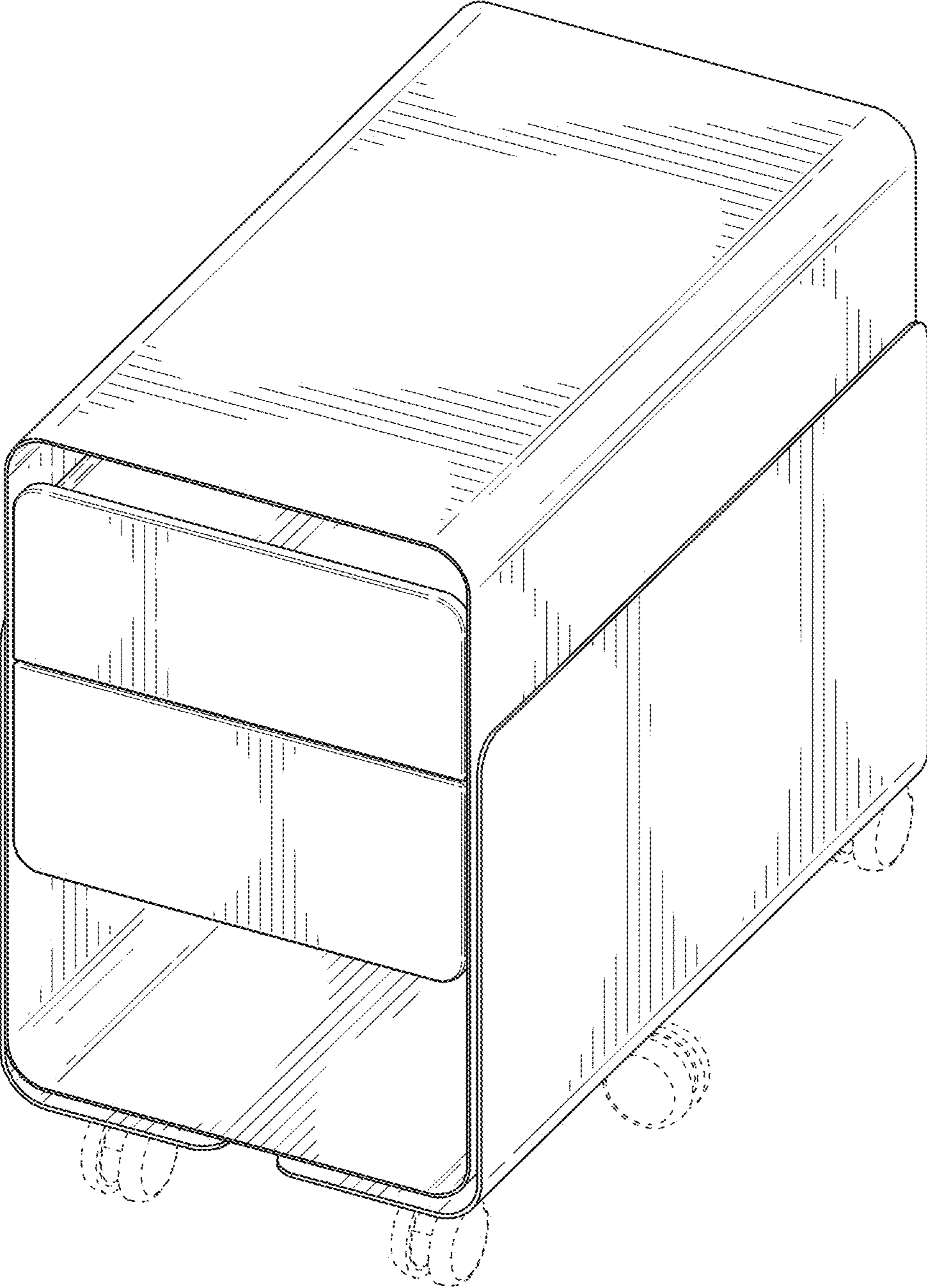


FIG. 1

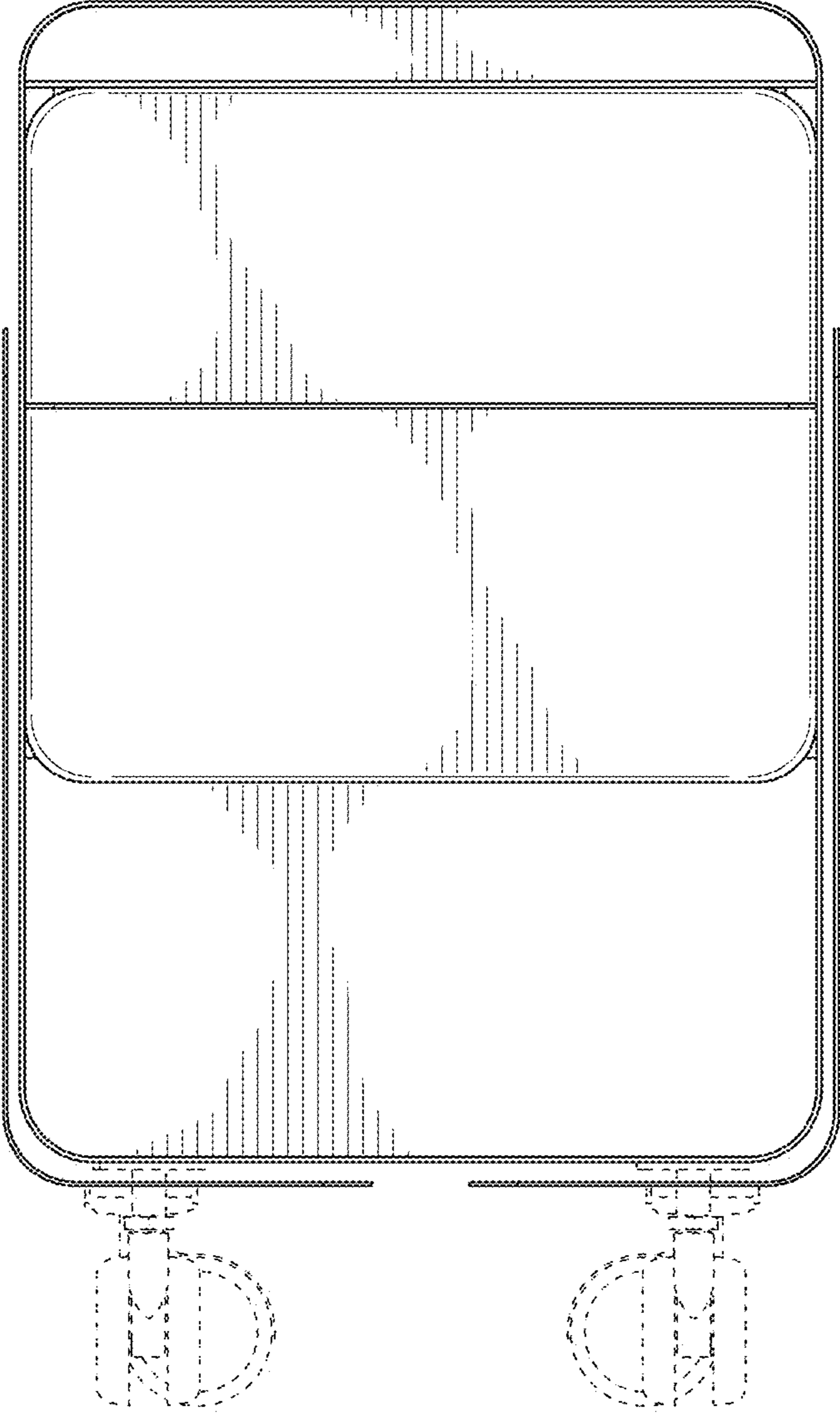


FIG. 2

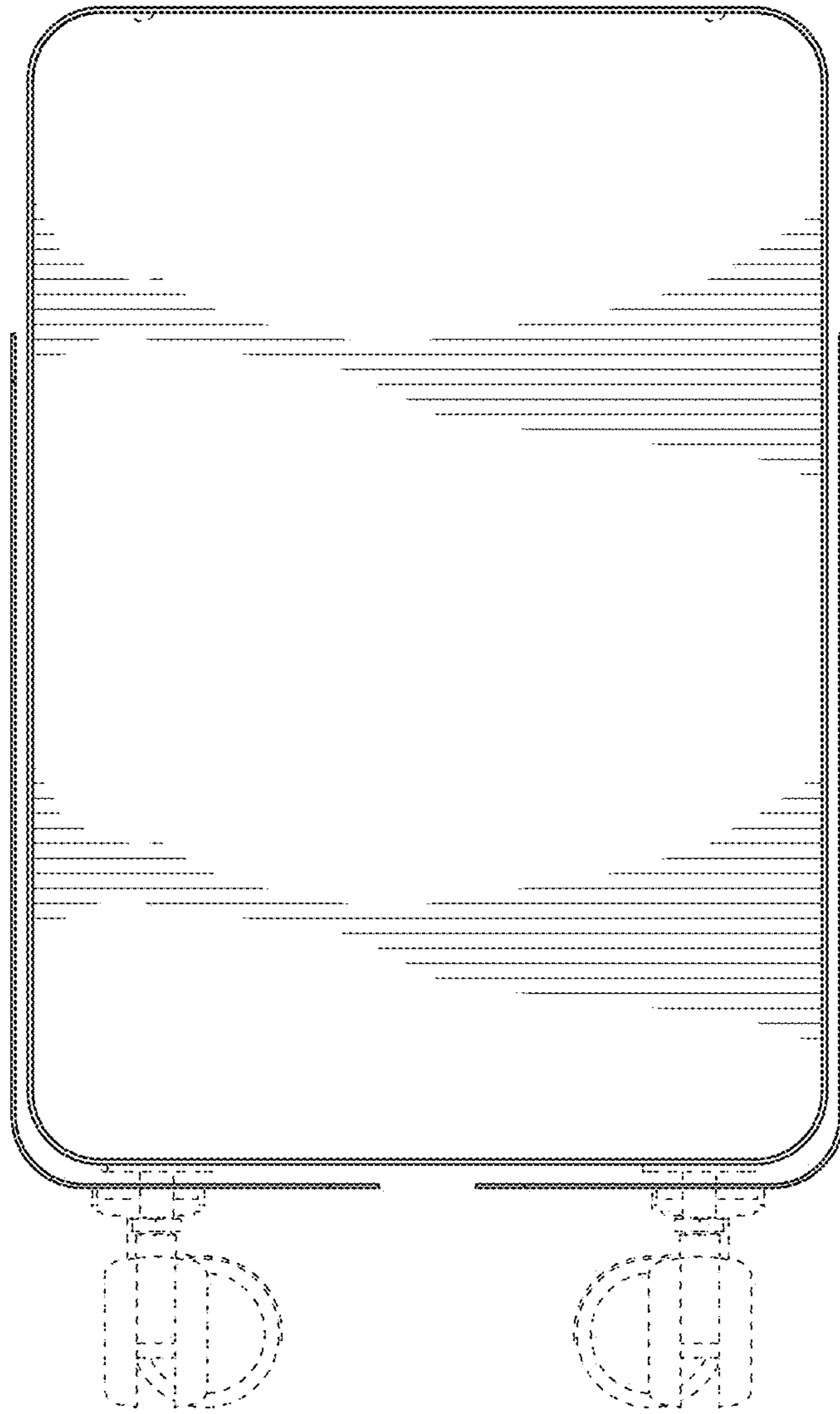


FIG. 3

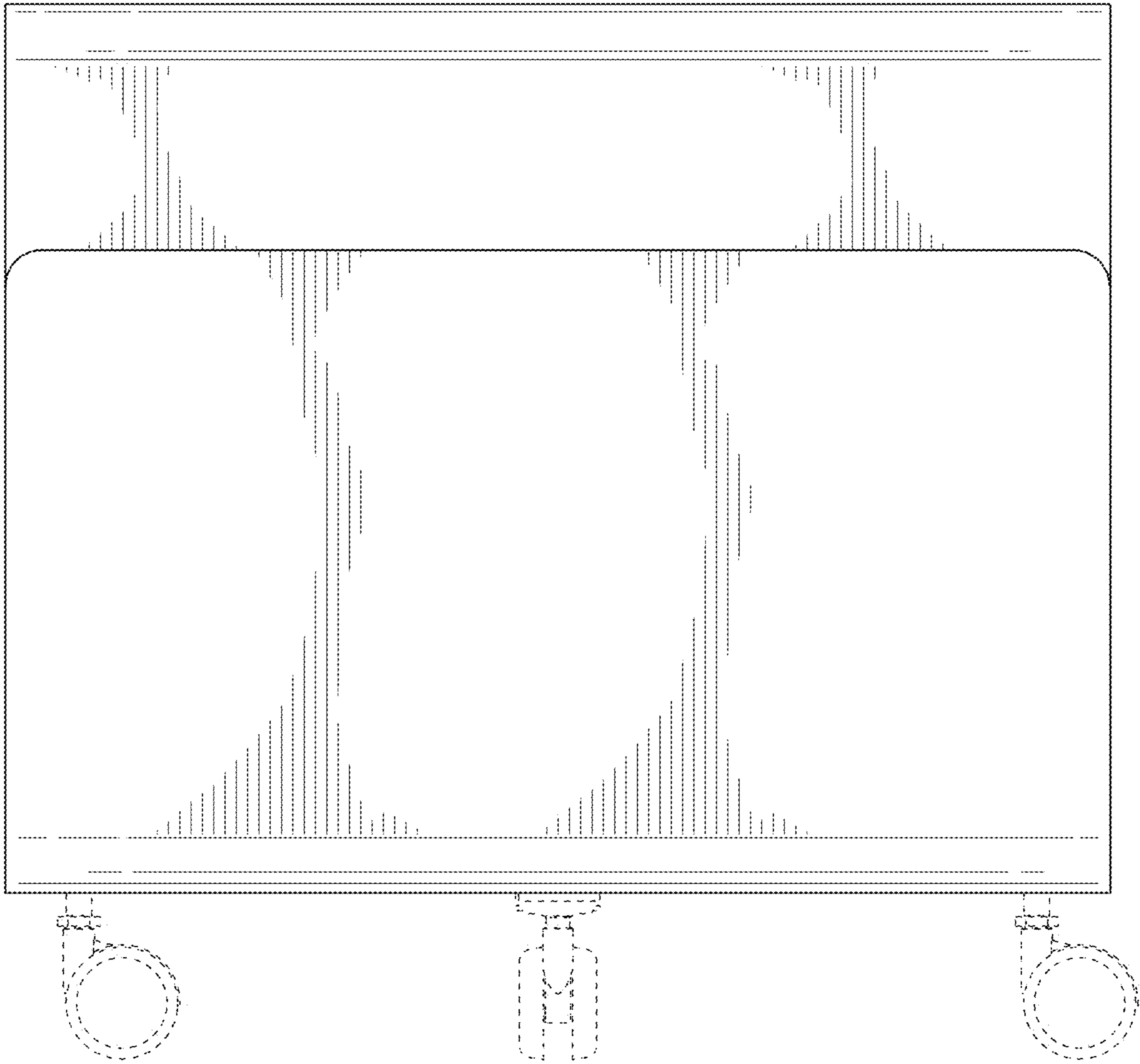


FIG. 4

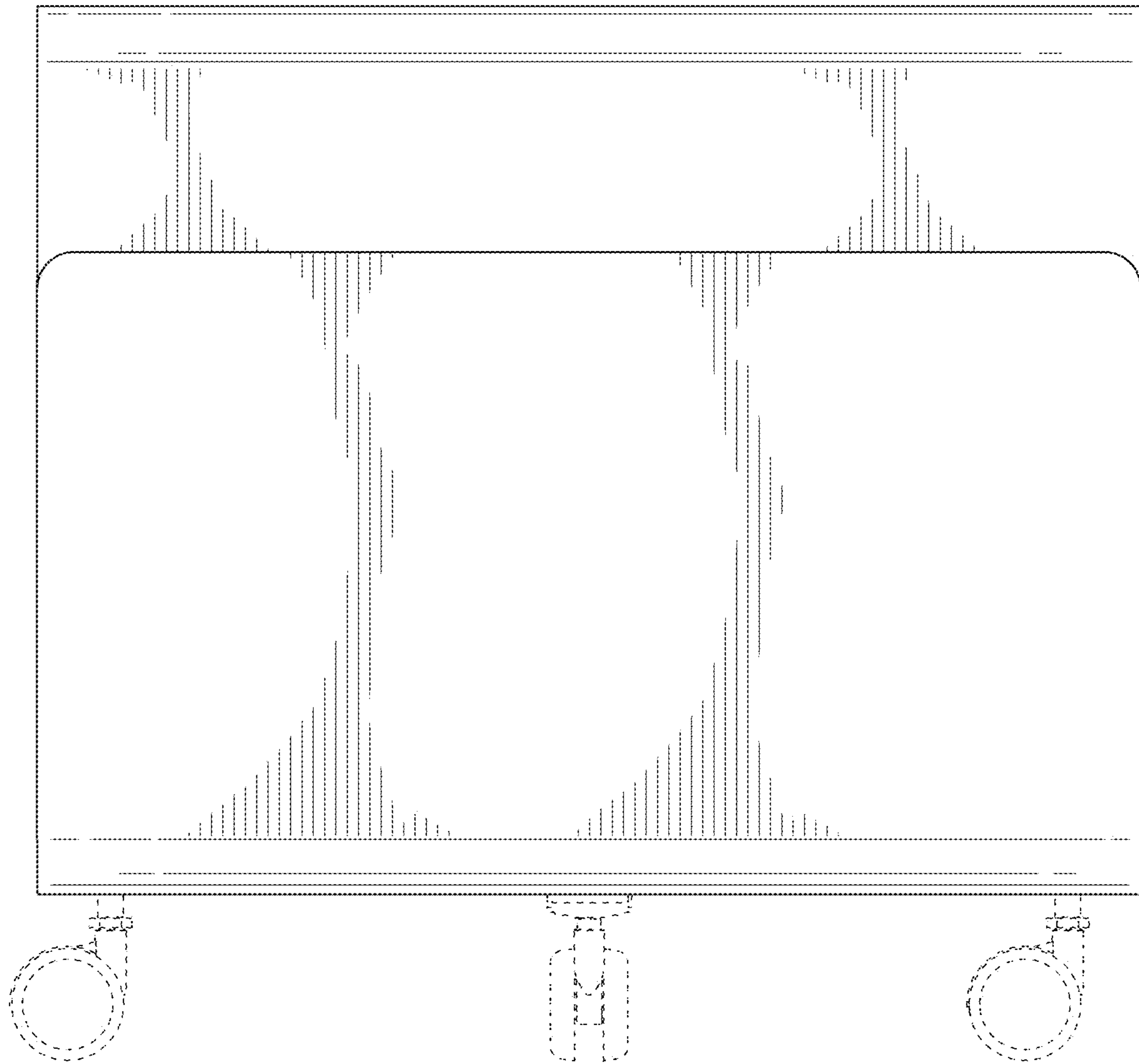


FIG. 5

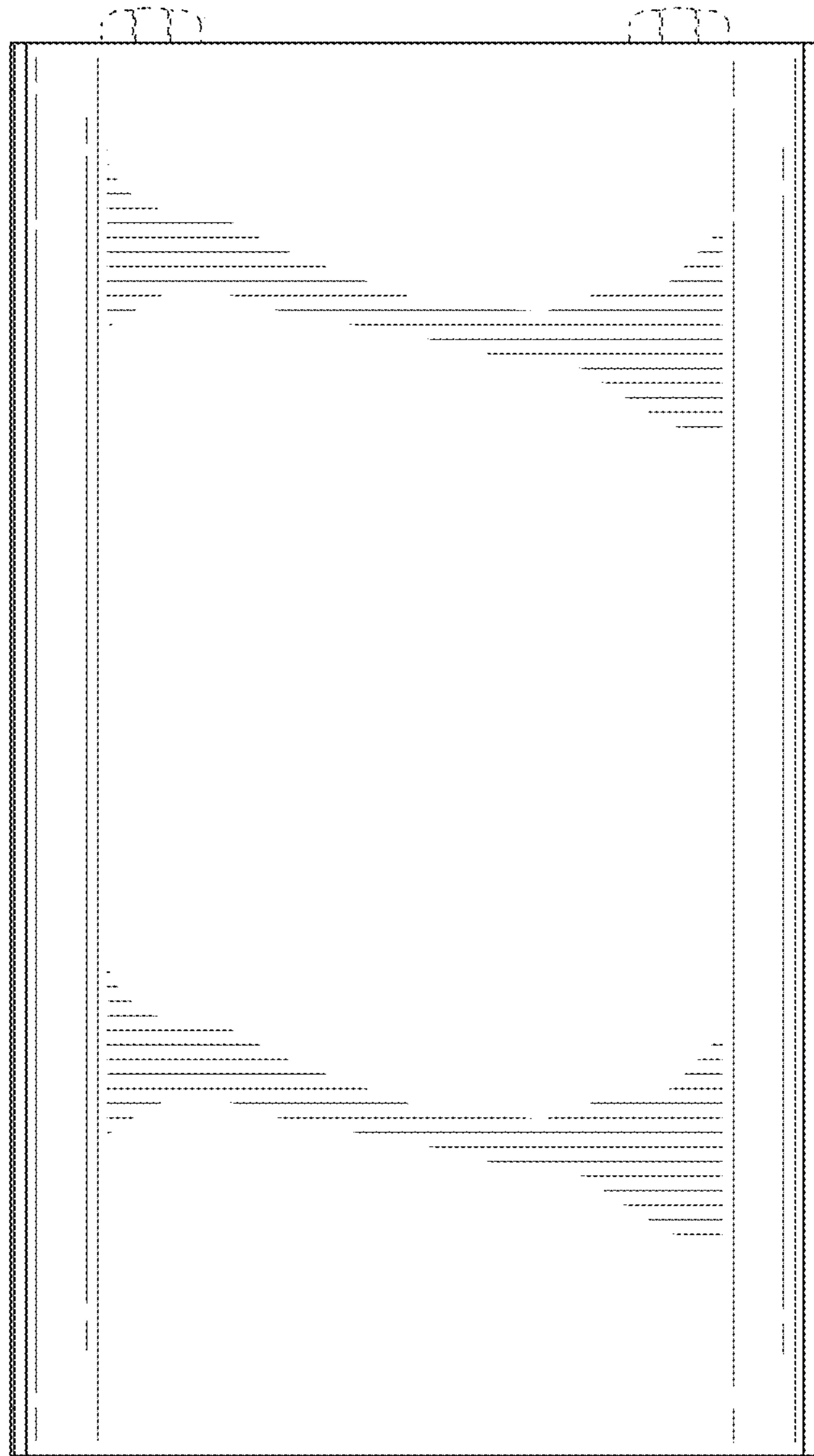


FIG. 6

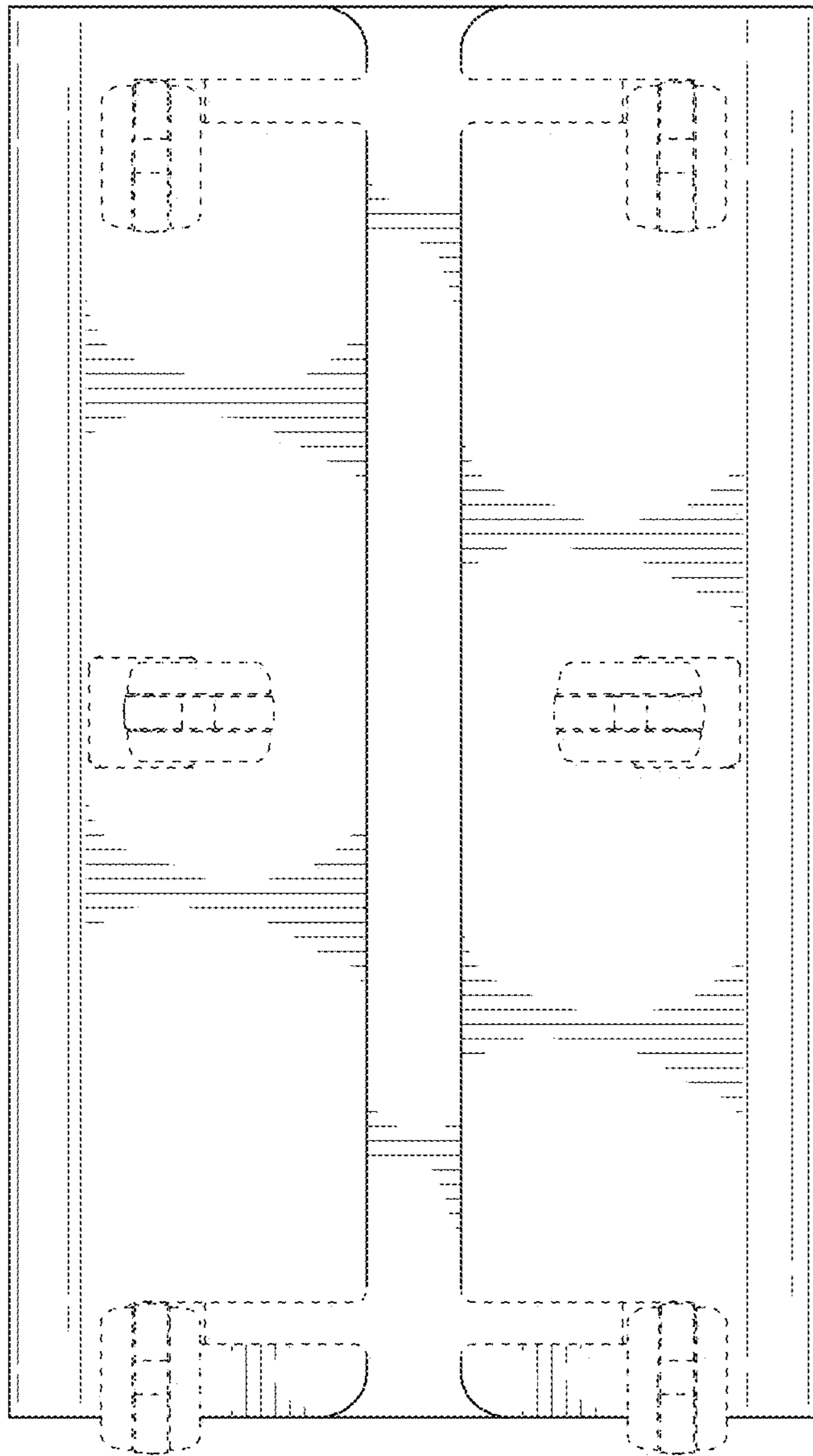


FIG. 7