



US00D915796S

(12) **United States Design Patent**
Koplent-Zinyk

(10) **Patent No.:** **US D915,796 S**

(45) **Date of Patent:** **** Apr. 13, 2021**

(54) **FOLDING TABLE**

(71) Applicant: **Actervis GmbH**, Baar/Zug (CH)

(72) Inventor: **Viktoriiia Koplent-Zinyk**, Affoltern am Albis (CH)

(73) Assignee: **Actervis GmbH**, Baar/Zug (CH)

(**) Term: **15 Years**

(21) Appl. No.: **29/732,912**

(22) Filed: **Apr. 28, 2020**

(51) **LOC (13) Cl.** **06-03**

(52) **U.S. Cl.**
USPC **D6/656.19**

(58) **Field of Classification Search**
USPC D6/406.2, 406.4, 645, 656.13, 691.3,
D6/691.6, 697.1, 708.16, 709.21;
D12/426.1
CPC A47B 23/046; A47B 17/06; A47B 19/06;
A47B 21/00; A47B 2200/0043; A47B
31/04; A47B 3/00; A47B 3/083; A47B
41/00; A47B 41/04; A47B 41/06

See application file for complete search history.

(56) **References Cited**

U.S. PATENT DOCUMENTS

- D122,925 S * 10/1940 Holden D6/406.2
- 2,794,695 A * 6/1957 Heal A47B 9/08
108/146
- 2,857,227 A * 10/1958 Jacques A47B 31/04
108/124
- 2,857,228 A * 10/1958 Koett A47B 23/046
108/115
- 3,108,550 A * 10/1963 Knoblock A47B 3/0809
108/124
- D236,045 S * 7/1975 Petrie D6/656.11
- 3,954,068 A * 5/1976 Roberts A47B 3/0918
105/124
- D250,437 S * 12/1978 Korpijaakko D19/75

- D283,474 S * 4/1986 Appel D19/86
- D299,601 S * 1/1989 Campbell D6/406.2
- D314,878 S * 2/1991 Hart D6/691.3
- 5,417,168 A * 5/1995 Soper A47B 3/00
108/124
- D365,219 S * 12/1995 Tange D12/426.1
- D376,931 S * 12/1996 Fewchuk D6/655.21

(Continued)

OTHER PUBLICATIONS

“Bed Bath and Beyond Bedside Table.” Found online Nov. 23, 2020 at www.modelings.co. Page dated Nov. 3, 2019. Retrieved from URL: <http://modelings.co/bed-bath-and-beyond-bedside-table/> (Year: 2019).*

(Continued)

Primary Examiner — Mary Ann Calabrese

Assistant Examiner — Katelin G Kloberg

(74) *Attorney, Agent, or Firm* — Craig J. Lervick; Larkin Hoffman Daly & Lindgren Ltd.

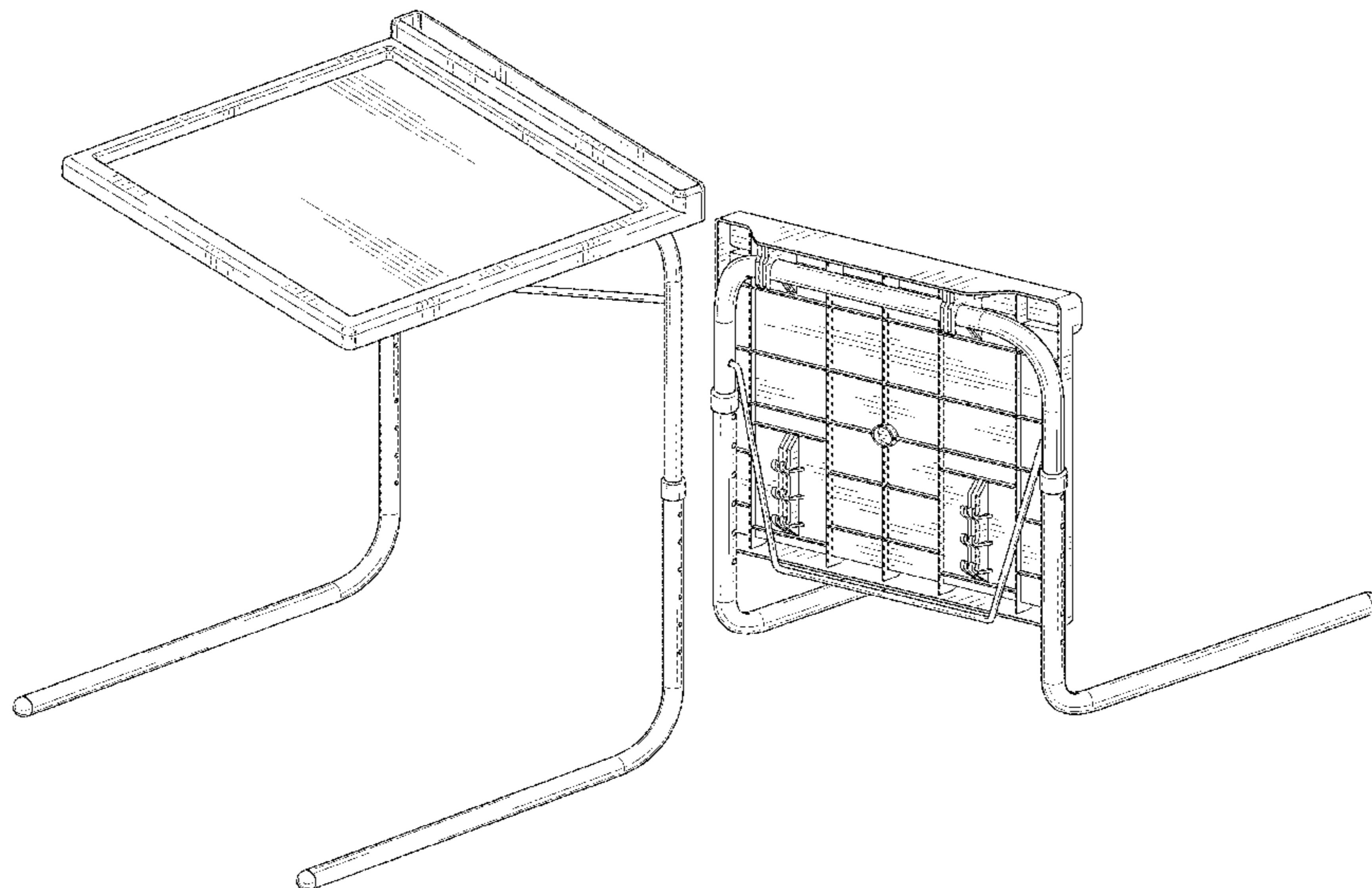
(57) **CLAIM**

The ornamental design for a folding table, as shown and described.

DESCRIPTION

FIG. 1 is a top, front, right side perspective view of a folding table, showing my new design in an open position; FIG. 2 is a front elevation view thereof; FIG. 3 is a rear elevation view thereof; FIG. 4 is a right side elevation view thereof; FIG. 5 is a left side elevation view thereof; FIG. 6 is a top plan view thereof; FIG. 7 is a bottom plan view thereof; FIG. 8 is a top, front, left side perspective view, shown in an alternate position; and, FIG. 9 is a rear, left side perspective view, shown in a folded position.

1 Claim, 9 Drawing Sheets



(56)

References Cited

U.S. PATENT DOCUMENTS

5,644,994 A * 7/1997 Liang A47B 3/083
108/116
D474,356 S * 5/2003 Bosman D6/656.13
D501,336 S * 2/2005 Lin D6/656.13
D507,710 S * 7/2005 Fletcher D6/656.13
D510,670 S * 10/2005 Glass D6/656.13
D521,770 S * 5/2006 Madison D6/656.19
D548,496 S * 8/2007 Samtani D6/656.13
D569,139 S * 5/2008 Browne D32/25
D577,517 S * 9/2008 Kumazawa D6/656.16
7,469,645 B2 * 12/2008 Mangano A47B 3/002
108/115
D612,169 S * 3/2010 Chang D6/656.13
D627,178 S * 11/2010 Adams D6/656.12
D649,369 S * 11/2011 Benden D6/338
D655,950 S * 3/2012 Kvello D6/691.7
D720,161 S * 12/2014 Udagawa D6/656.13
D729,554 S * 5/2015 Denby D6/681
D731,221 S * 6/2015 Hosoya D6/708.16
D731,821 S * 6/2015 Hosoya D6/650
D737,602 S * 9/2015 Riley D6/655.21
D737,750 S * 9/2015 Garrett D12/426.1

9,149,111 B1 * 10/2015 Lin A47B 19/06
9,226,579 B2 * 1/2016 Kassanoff A47B 21/00
D770,814 S * 11/2016 Davidson D6/656.15
D805,799 S * 12/2017 Khalili D6/406.2
D862,946 S * 10/2019 Hyland D6/672
D881,646 S * 4/2020 Zhao D7/403

OTHER PUBLICATIONS

“Table Mate II Folding TV Tray Table.” Found online Nov. 21, 2020 at www.amazon.com. Product first available Oct. 4, 2016. Retrieved from URL: <https://tinyurl.com/y4b49dlq> (Year: 2016).*

“Portable Adjustable Folding Table Mate as Seen on TV.” Found online Nov. 21, 2020 at www.amazon.co.uk. Product first available Mar. 17, 2010. Retrieved from URL: <https://www.amazon.co.uk/PORTABLE-ADJUSTABLE-FOLDING-TABLE-MATE/dp/B003CSCEWE> (Year: 2010).*

“Major Folding TV—Laptop Table.” Found online Nov. 21, 2020 at www.amazon.co.uk. Product first available Apr. 1, 2010. Retrieved from URL: <https://tinyurl.com/y24nz3hl> (Year: 2010).*

“Aidapt Multi Function Table.” Found online Nov. 21, 2020 at www.amazon.co.uk. Product first available Dec. 22, 2009. Retrieved from URL: <https://tinyurl.com/ydzewfr> (Year: 2009).*

* cited by examiner

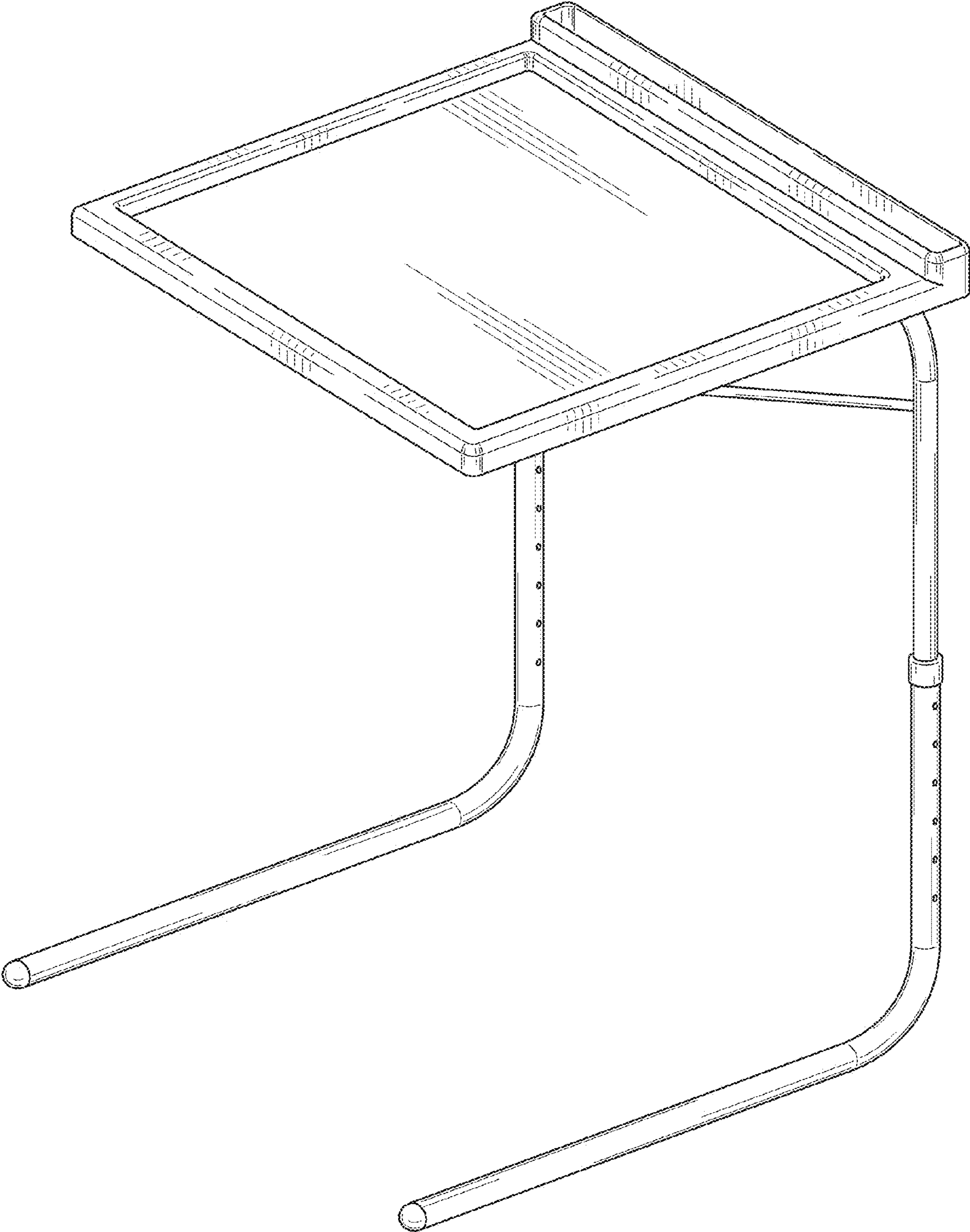


FIG. 1

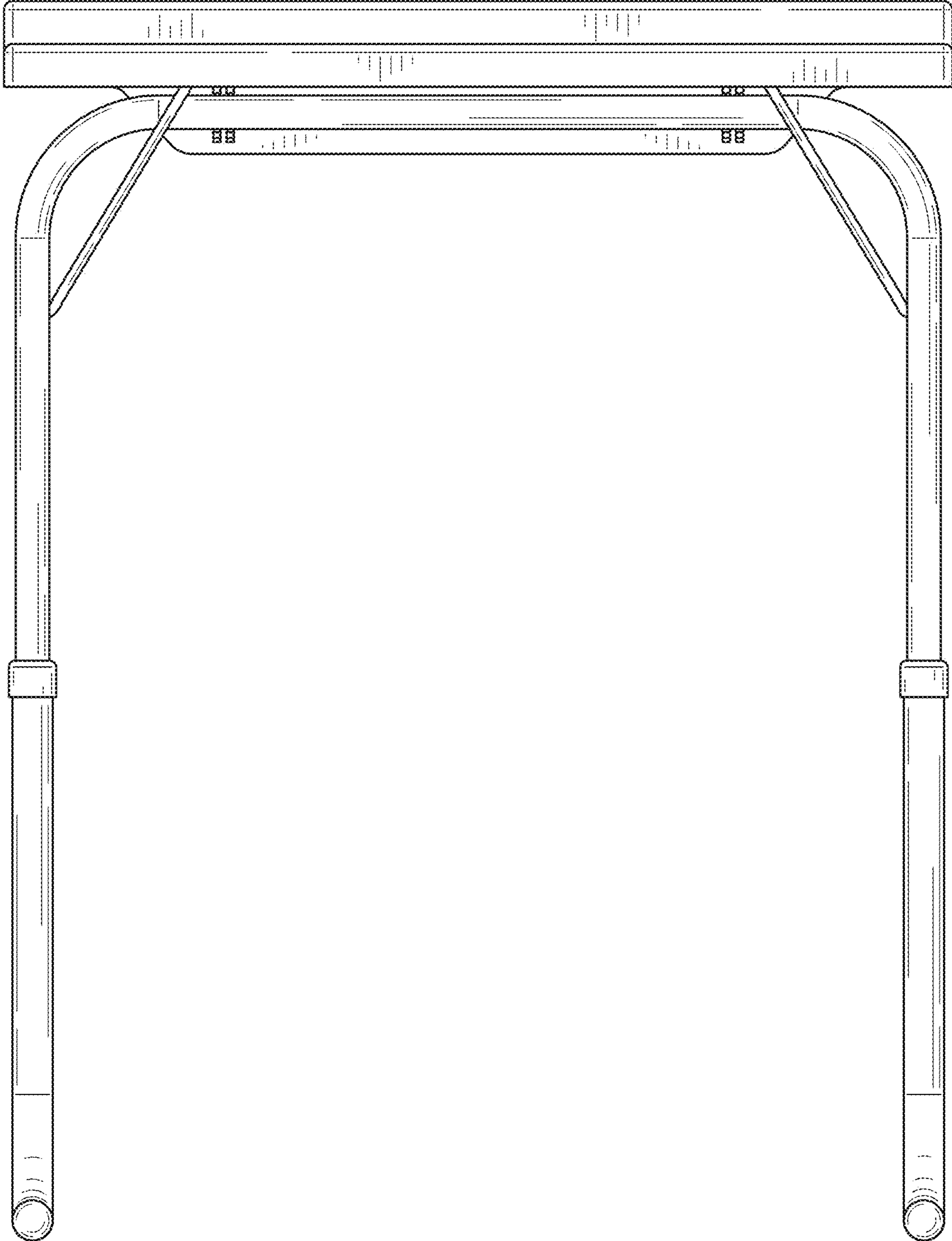


FIG. 2

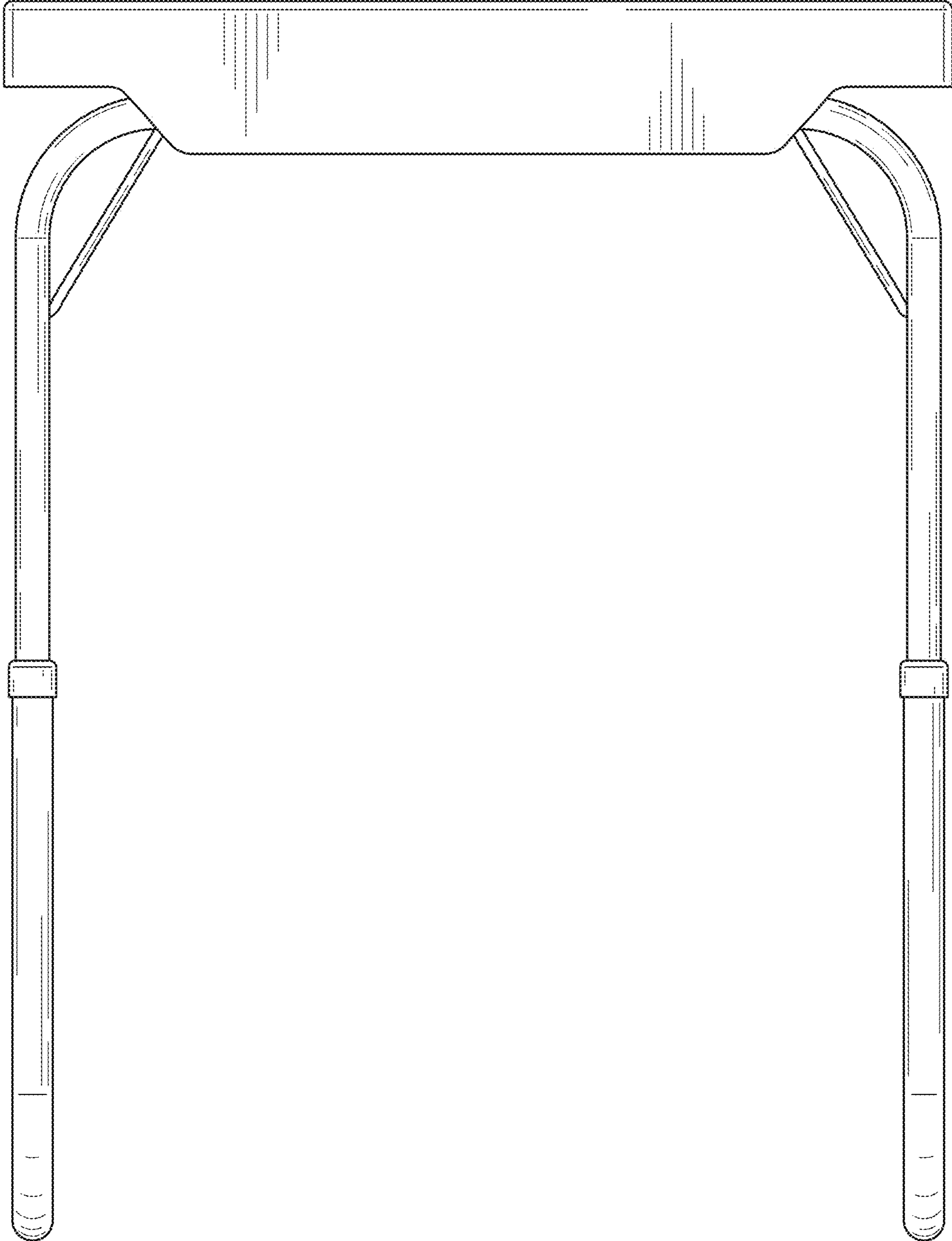


FIG. 3

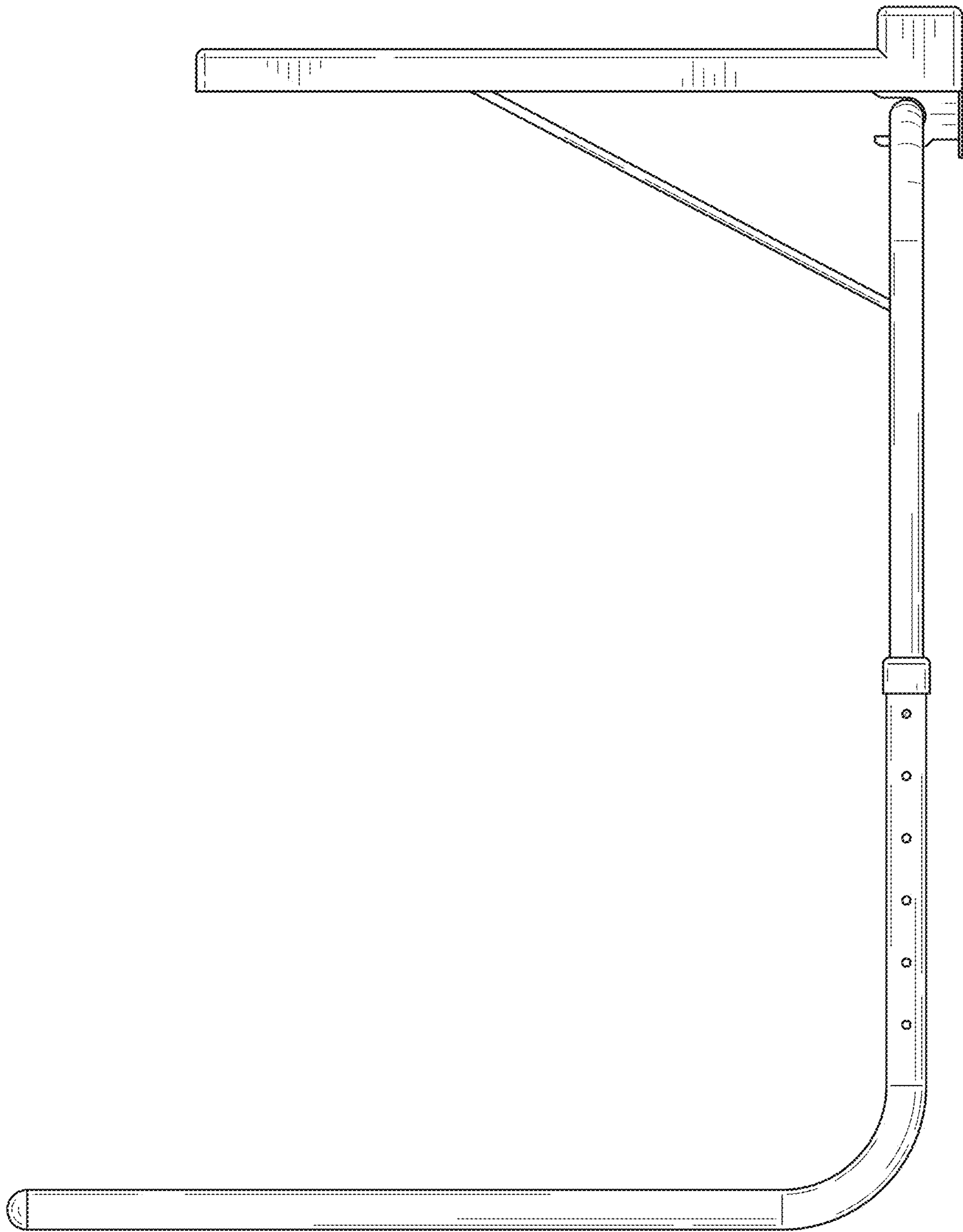


FIG. 4

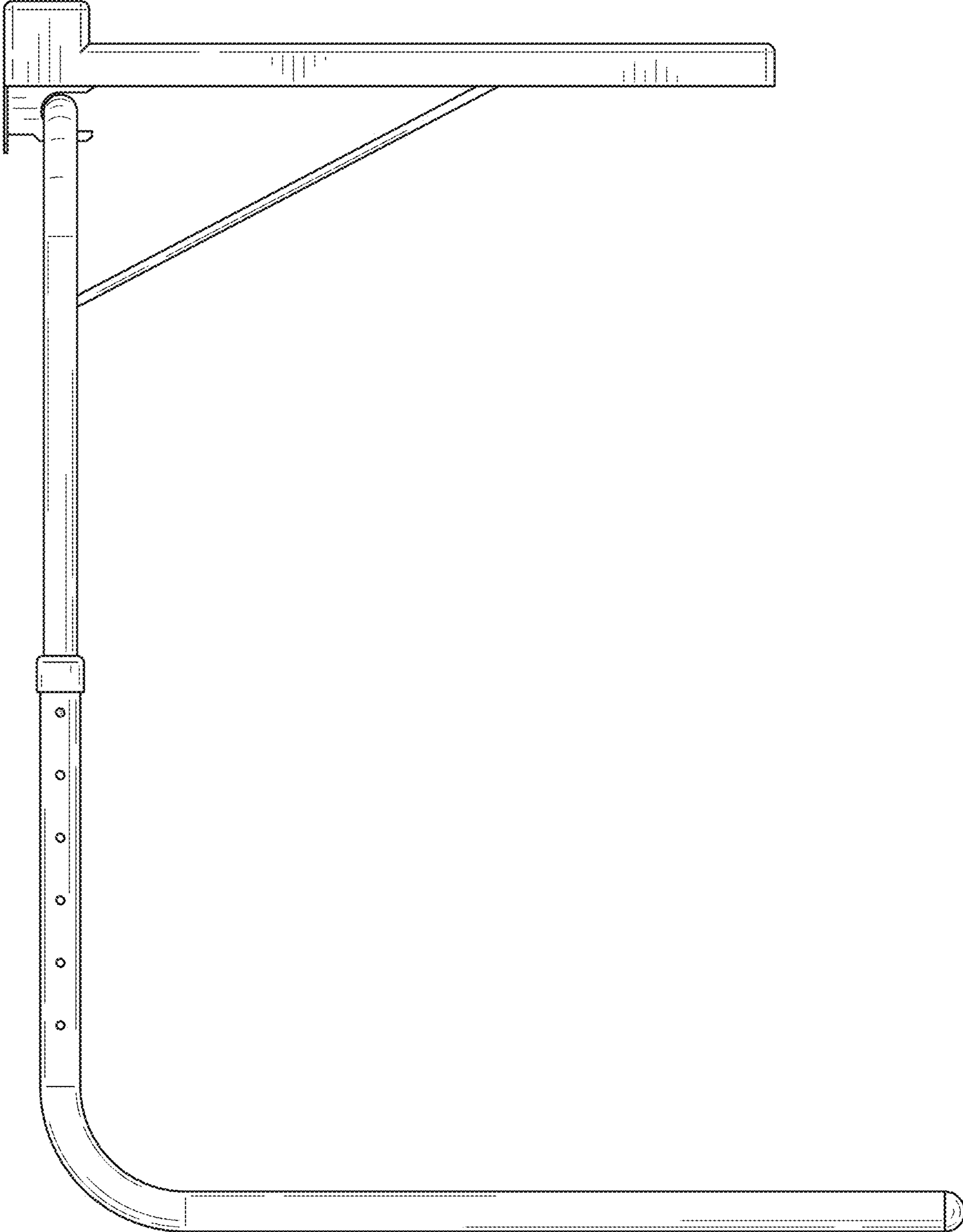


FIG. 5

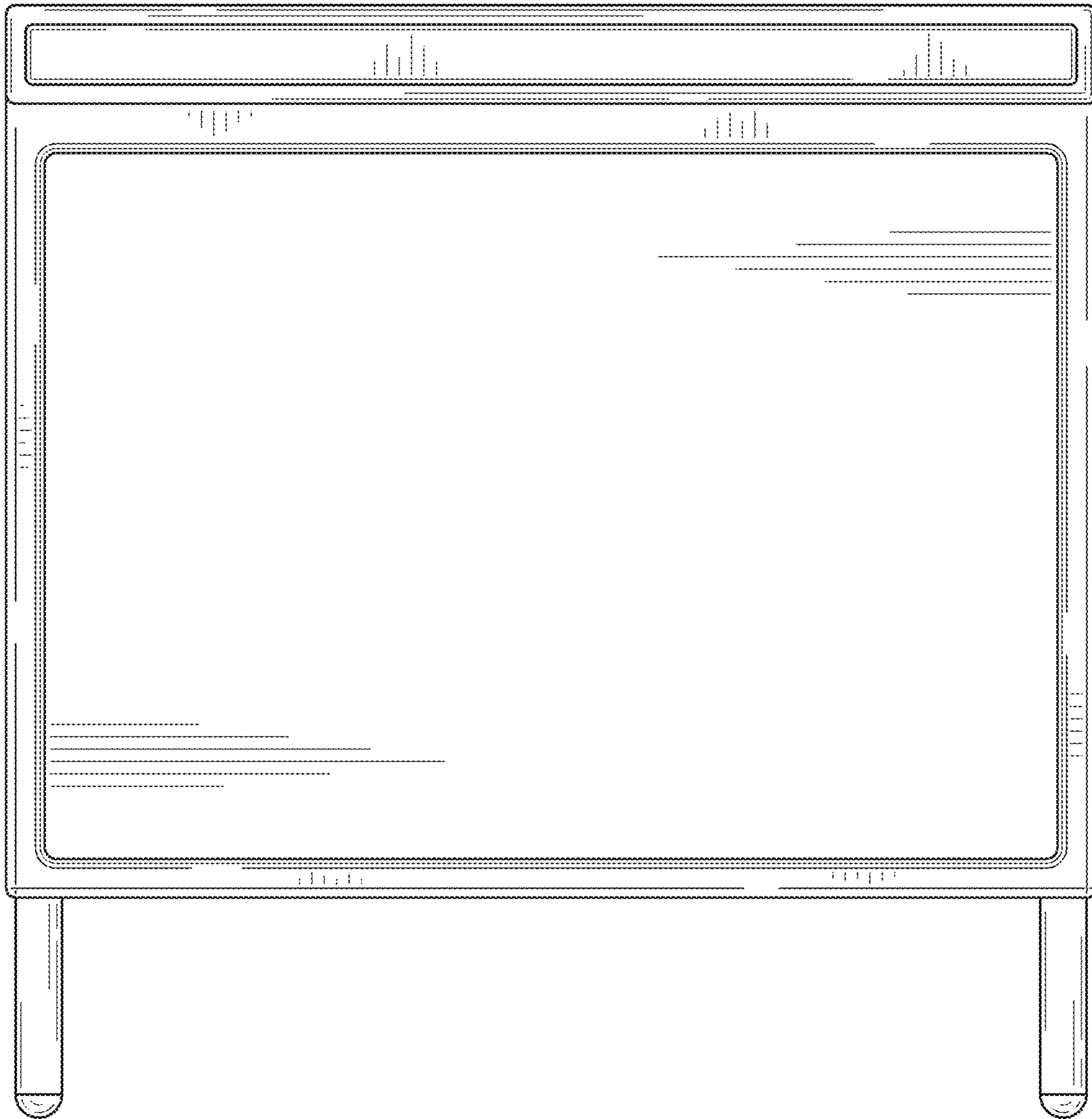


FIG. 6

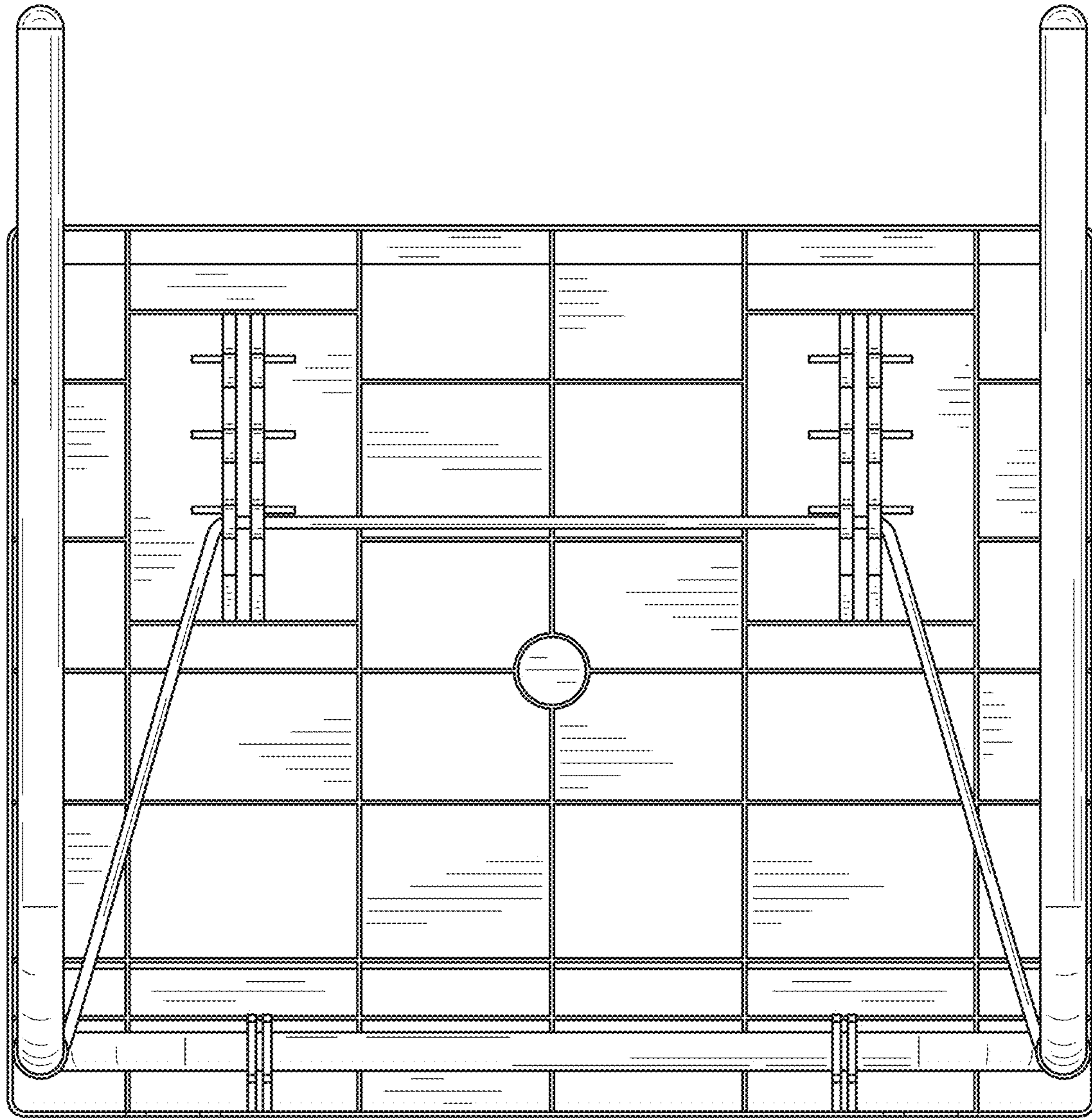


FIG. 7

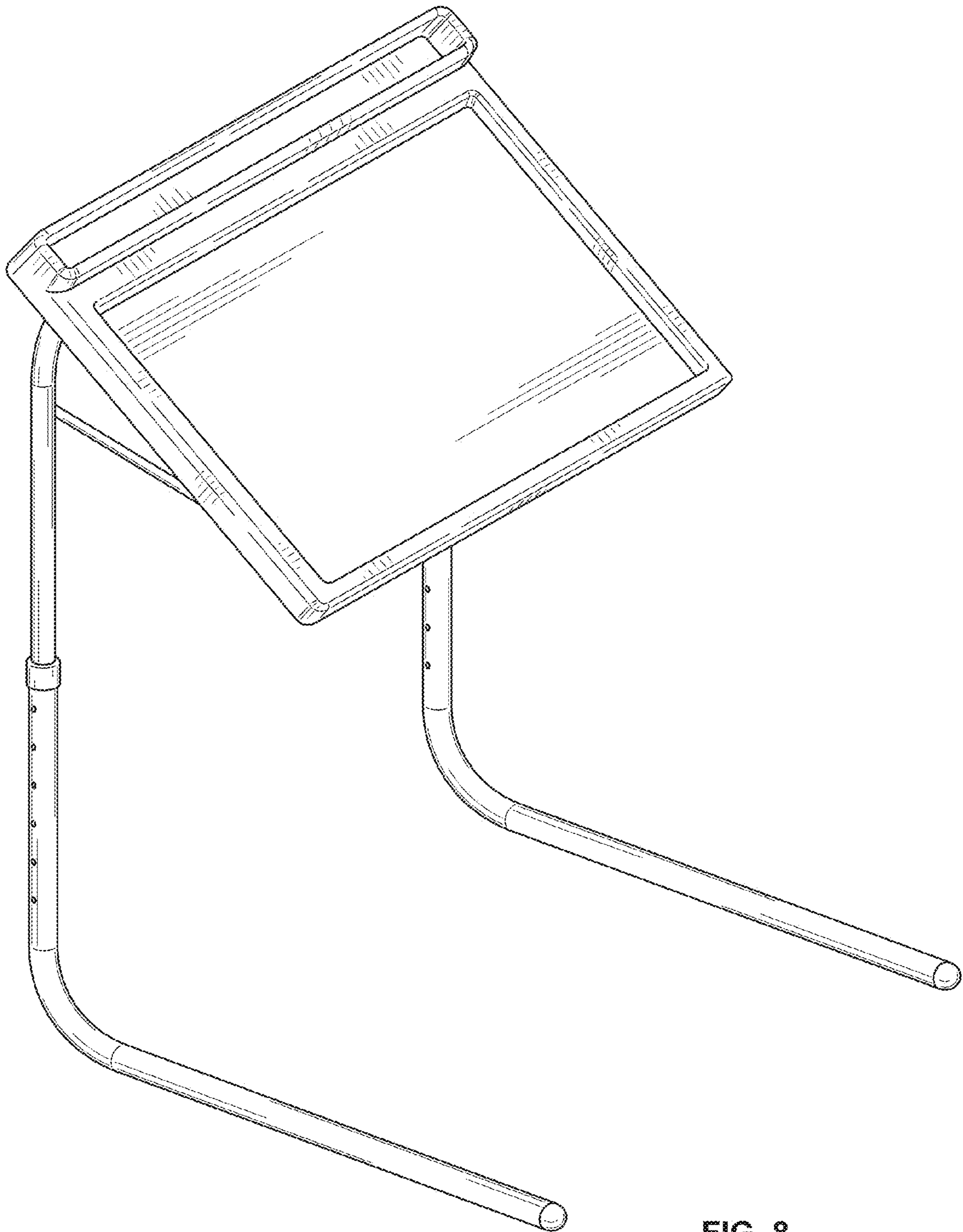


FIG. 8

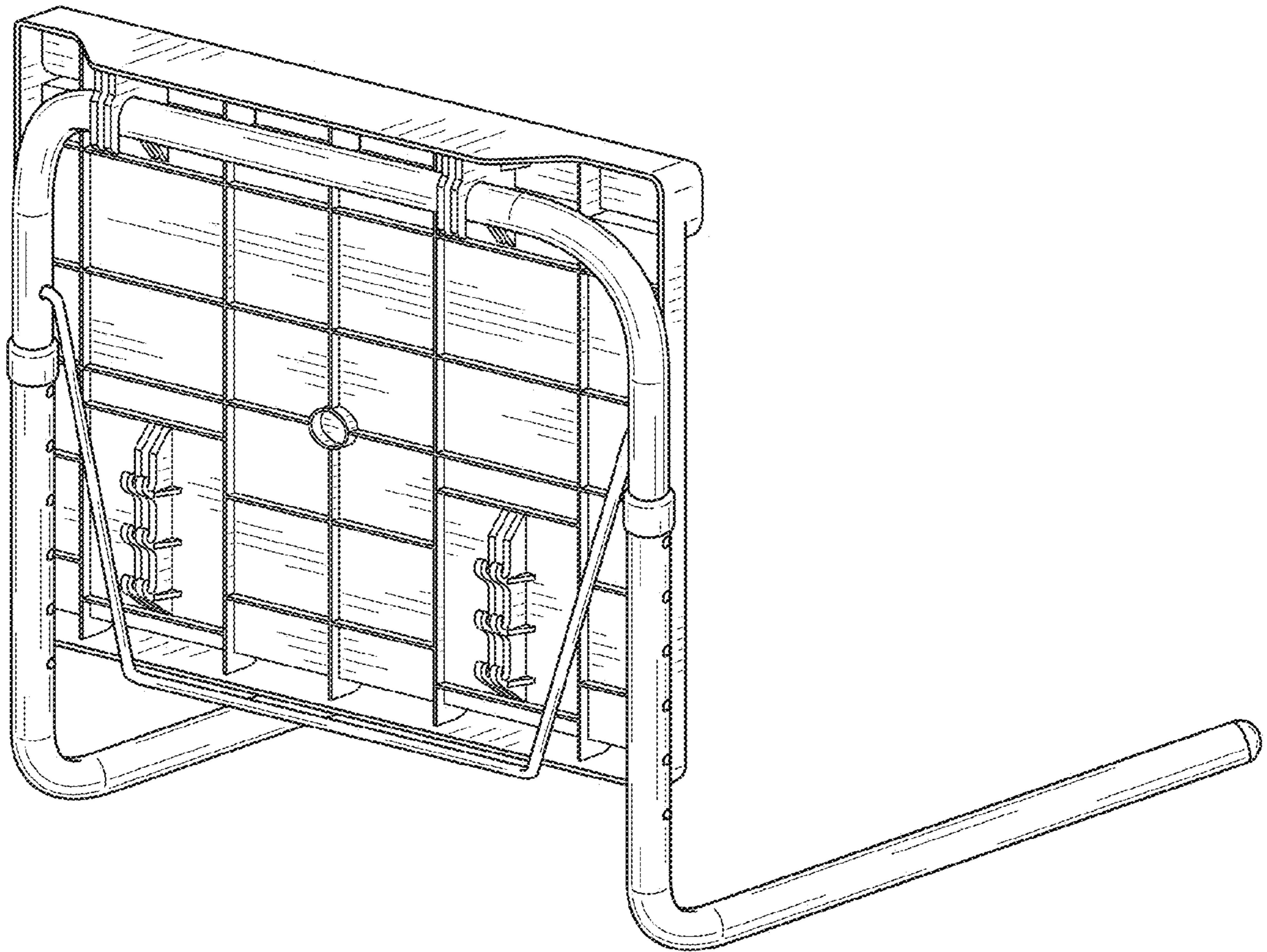


FIG. 9

UNITED STATES PATENT AND TRADEMARK OFFICE
CERTIFICATE OF CORRECTION

PATENT NO. : D915,796 S
APPLICATION NO. : 29/732912
DATED : April 13, 2021
INVENTOR(S) : Viktorria Koplent-Zinyk

Page 1 of 1

It is certified that error appears in the above-identified patent and that said Letters Patent is hereby corrected as shown below:

On the Title Page

After item (22) and before item (51), the following information should be listed:

(30) Foreign Application Priority Data

Oct. 28, 2019 (EM) 007134317-0001

Signed and Sealed this
Thirteenth Day of July, 2021



Drew Hirshfeld
*Performing the Functions and Duties of the
Under Secretary of Commerce for Intellectual Property and
Director of the United States Patent and Trademark Office*