



US00D915791S

(12) **United States Design Patent** (10) **Patent No.:** **US D915,791 S**
Tsai (45) **Date of Patent:** **** Apr. 13, 2021**

(54) **CUSHION PAD**

(71) Applicant: **KEYARROW (TAIWAN) CO., LTD.**,
Taichung (TW)

(72) Inventor: **Jung-Kuen Tsai**, Taichung (TW)

(73) Assignee: **KEYARROW (TAIWAN) CO., LTD.**,
Taichung (TW)

(**) Term: **15 Years**

(21) Appl. No.: **29/683,069**

(22) Filed: **Mar. 11, 2019**

(51) **LOC (13) Cl.** **06-09**

(52) **U.S. Cl.**
USPC **D6/601**

(58) **Field of Classification Search**
USPC D6/595-601, 604, 606; D24/183, 190;
D21/803, 809; D2/501
CPC A47C 20/00; A47C 20/021; A47C 7/742;
A47C 7/021; A47D 15/001; A47D
15/008; A47G 9/00; A47G 9/10; B62J
1/26

See application file for complete search history.

(56) **References Cited**

U.S. PATENT DOCUMENTS

8,205,286	B1 *	6/2012	Diaz	A47C 20/026 5/735
8,566,985	B2 *	10/2013	Kim	A47G 9/109 5/636
2007/0089240	A1 *	4/2007	Dazzi	A47C 20/026 5/630
2011/0010863	A1 *	1/2011	Rubio	A47C 20/026 5/652

* cited by examiner

Primary Examiner — Jennifer L Rempfer

(74) *Attorney, Agent, or Firm* — Muncy, Geissler, Olds
and Lowe, P.C.

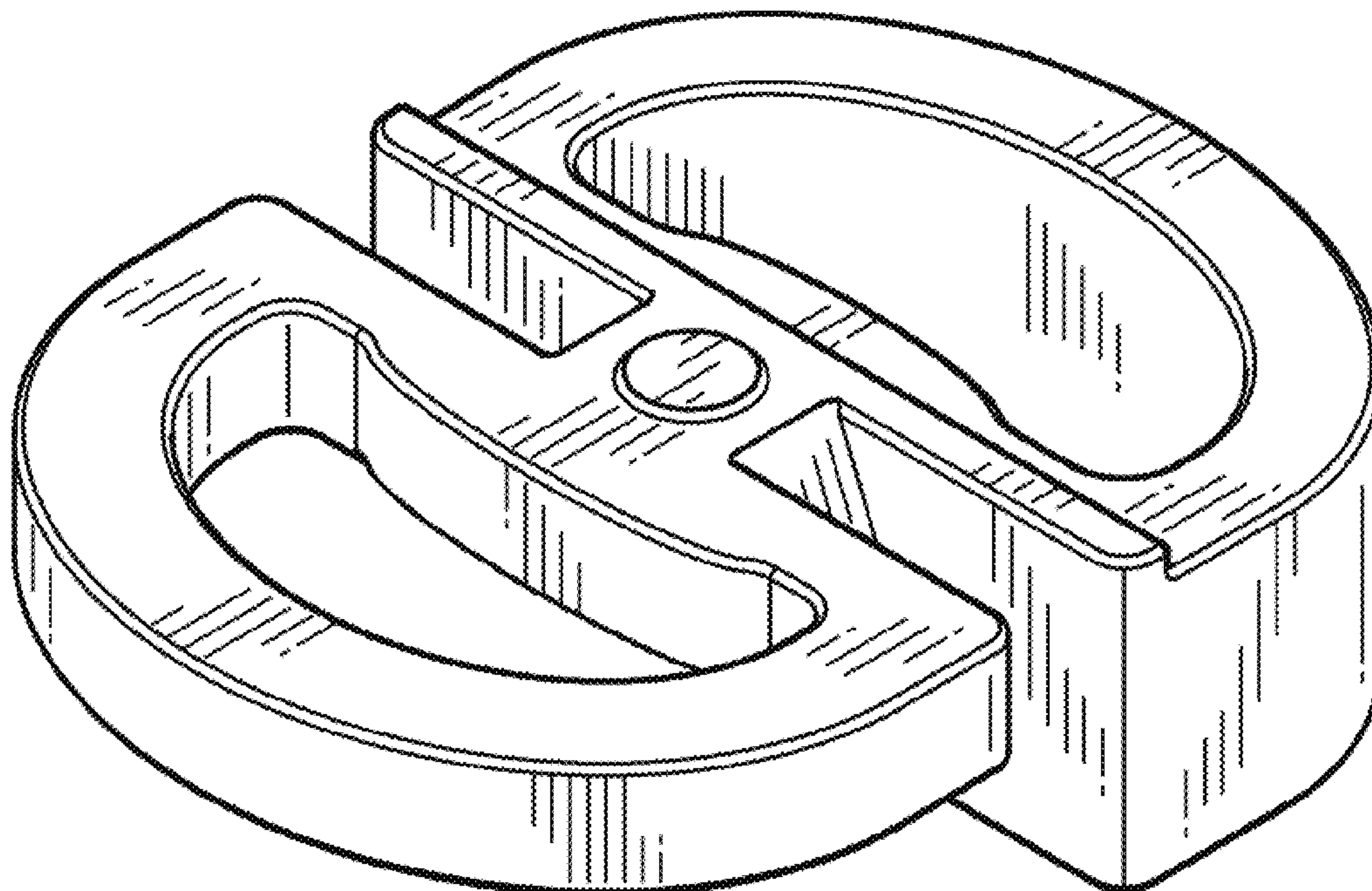
(57) **CLAIM**

The ornamental design for a cushion pad, as shown and
described.

DESCRIPTION

FIG. 1 is a perspective view of a cushion pad showing a first embodiment of the new design;
 FIG. 2 is another perspective view of the first embodiment;
 FIG. 3 is a front elevational view of the first embodiment;
 FIG. 4 is a rear elevational view of the first embodiment;
 FIG. 5 is a left side elevational view of the first embodiment;
 FIG. 6 is a right side elevational view of the first embodiment;
 FIG. 7 is a top plan view of the first embodiment;
 FIG. 8 is a bottom plan view of the first embodiment;
 FIG. 9 is a perspective view of a cushion pad showing a second embodiment of the new design;
 FIG. 10 is another perspective view of the second embodiment;
 FIG. 11 is a front elevational view of the second embodiment;
 FIG. 12 is a rear elevational view of the second embodiment;
 FIG. 13 is a left side elevational view of the second embodiment;
 FIG. 14 is a right side elevational view of the second embodiment;
 FIG. 15 is a top plan view of the second embodiment; and,
 FIG. 16 is a bottom plan view of the second embodiment.

1 Claim, 6 Drawing Sheets



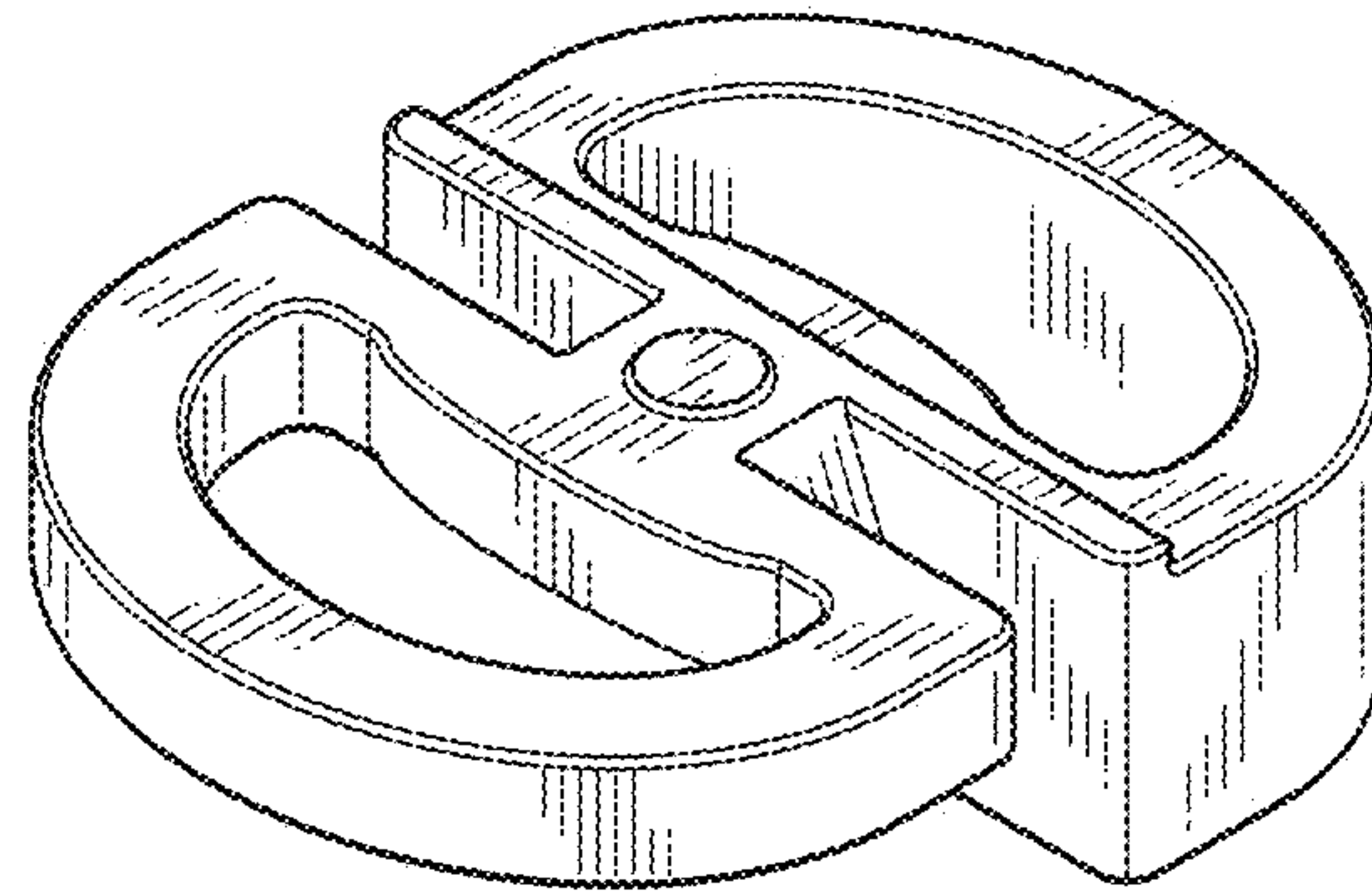


FIG. 1

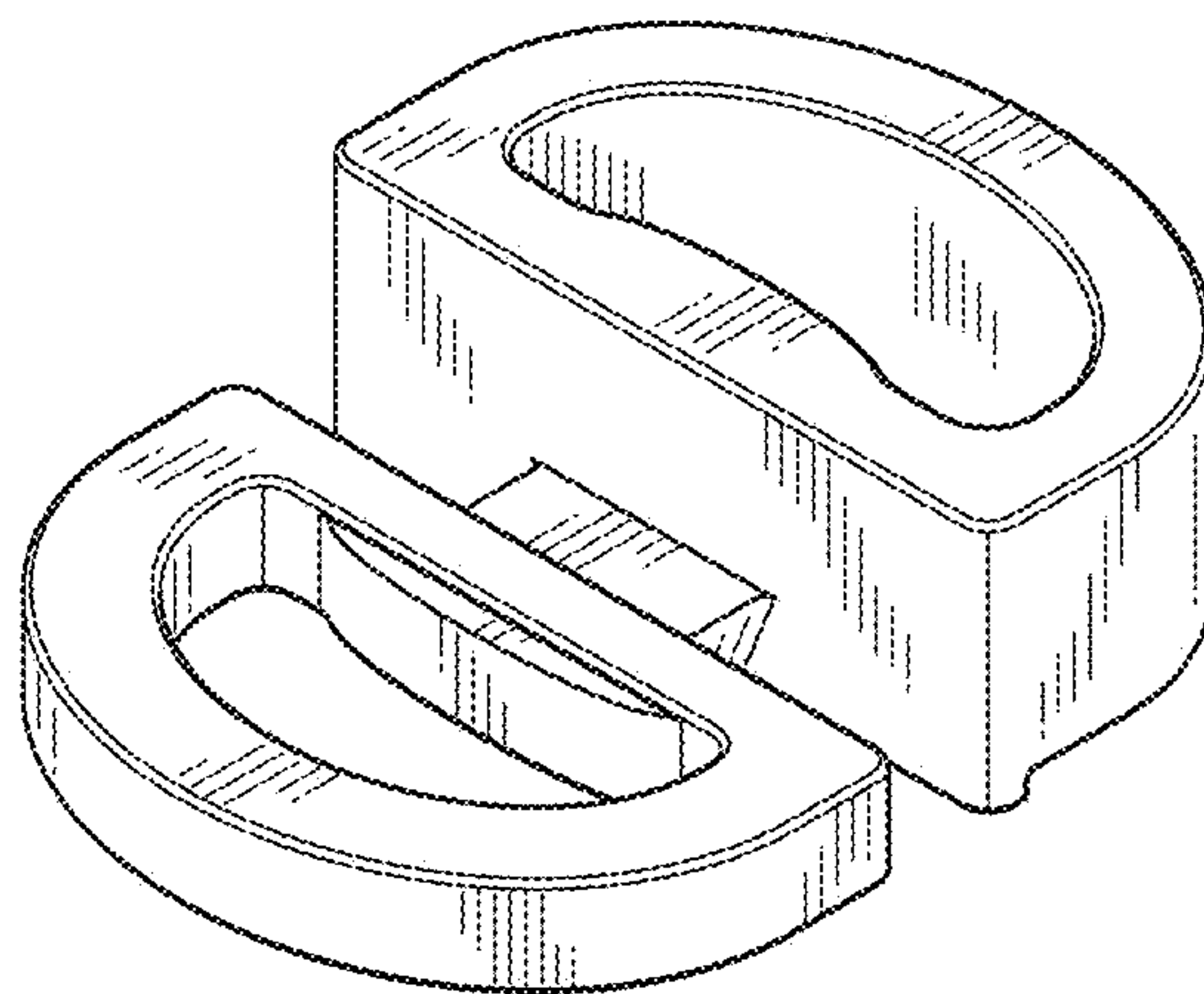


FIG. 2

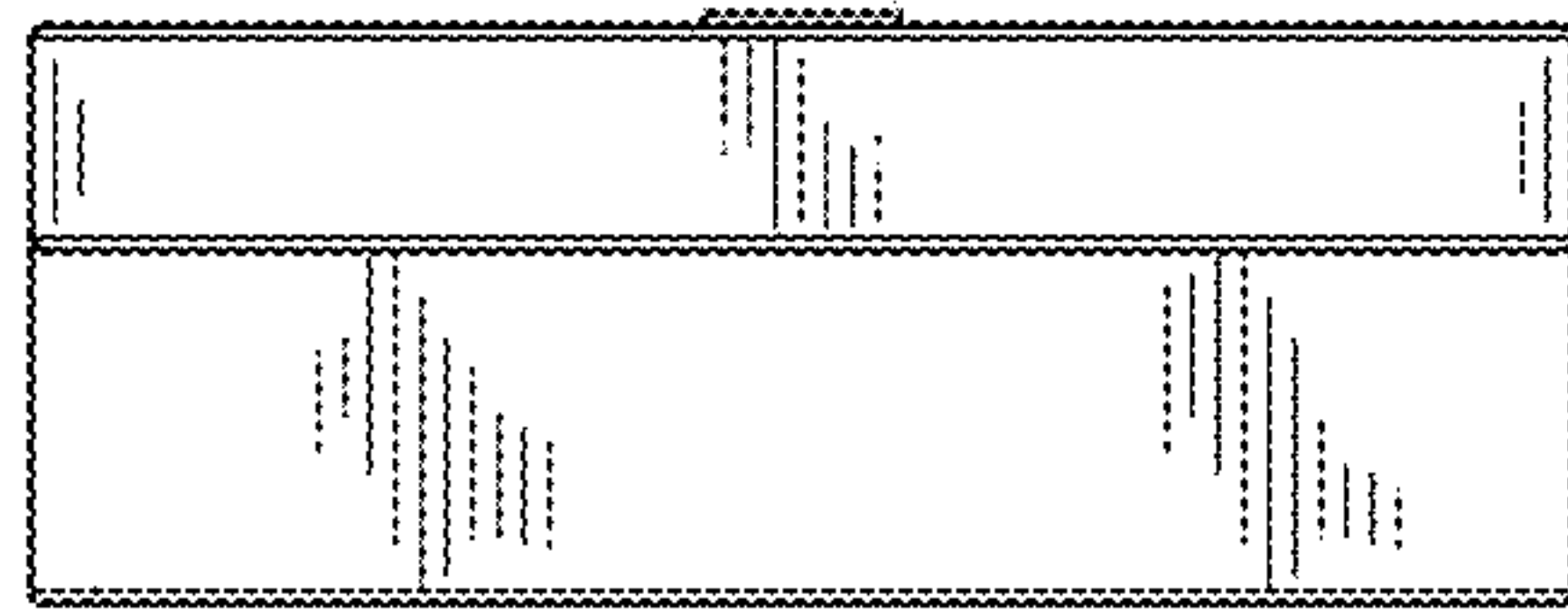


FIG. 3

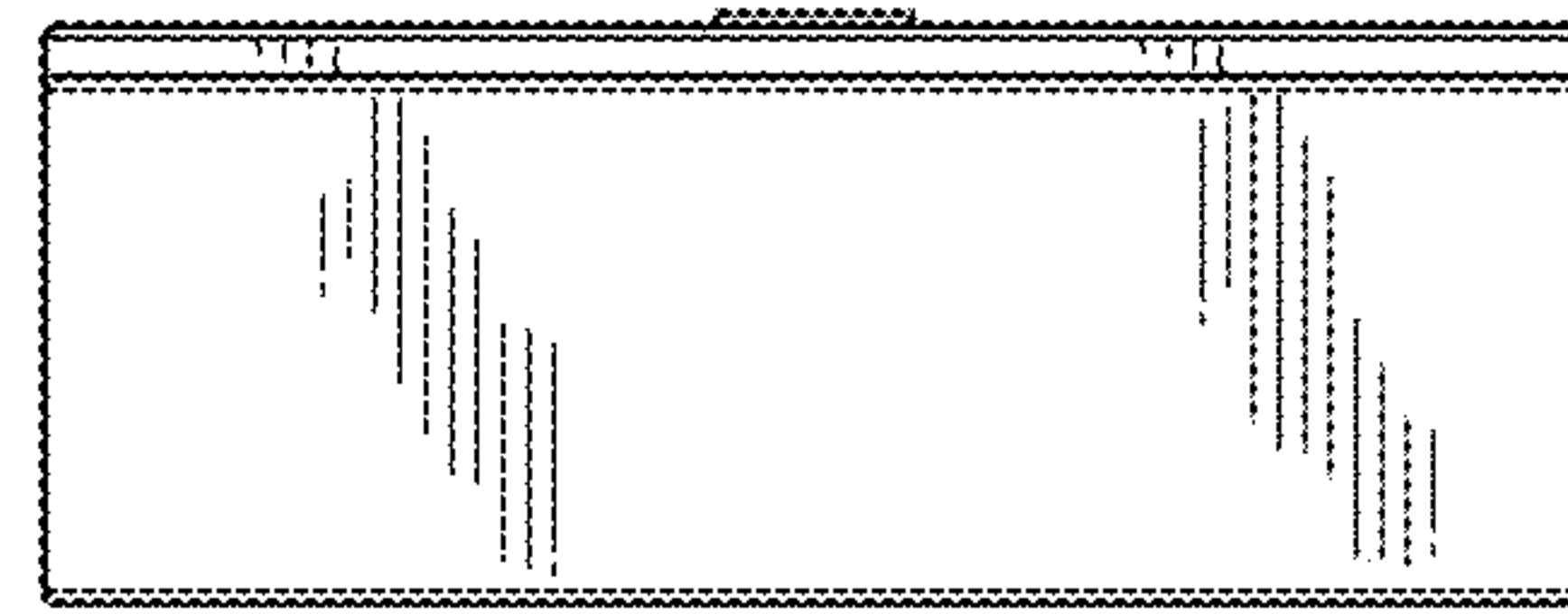


FIG. 4

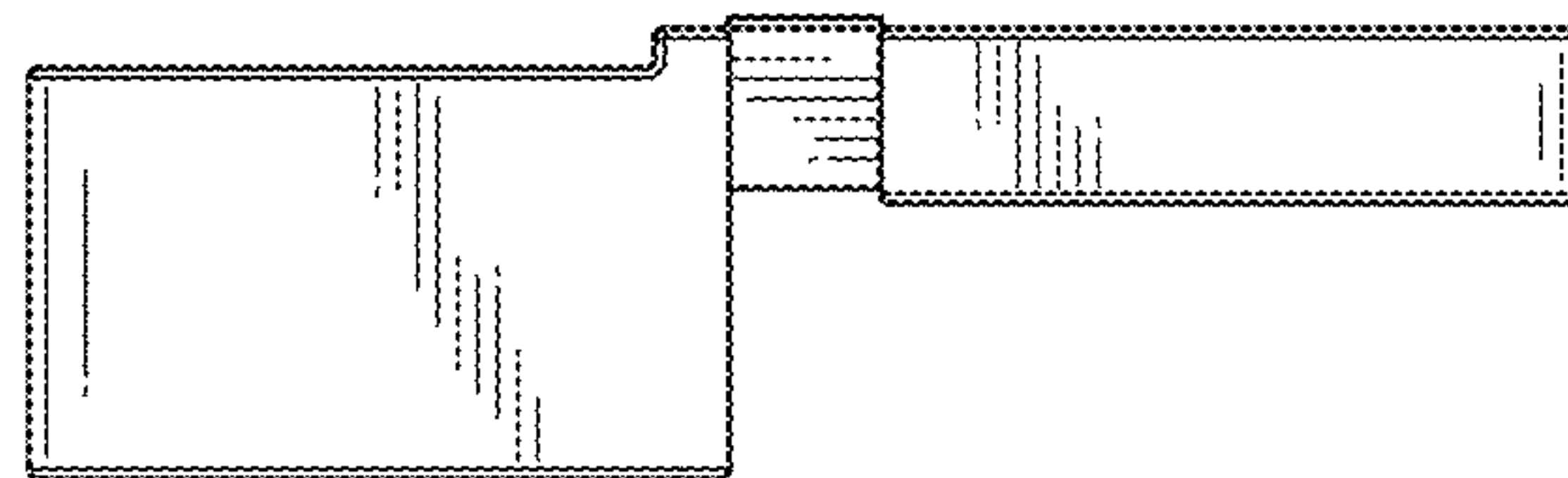


FIG. 5

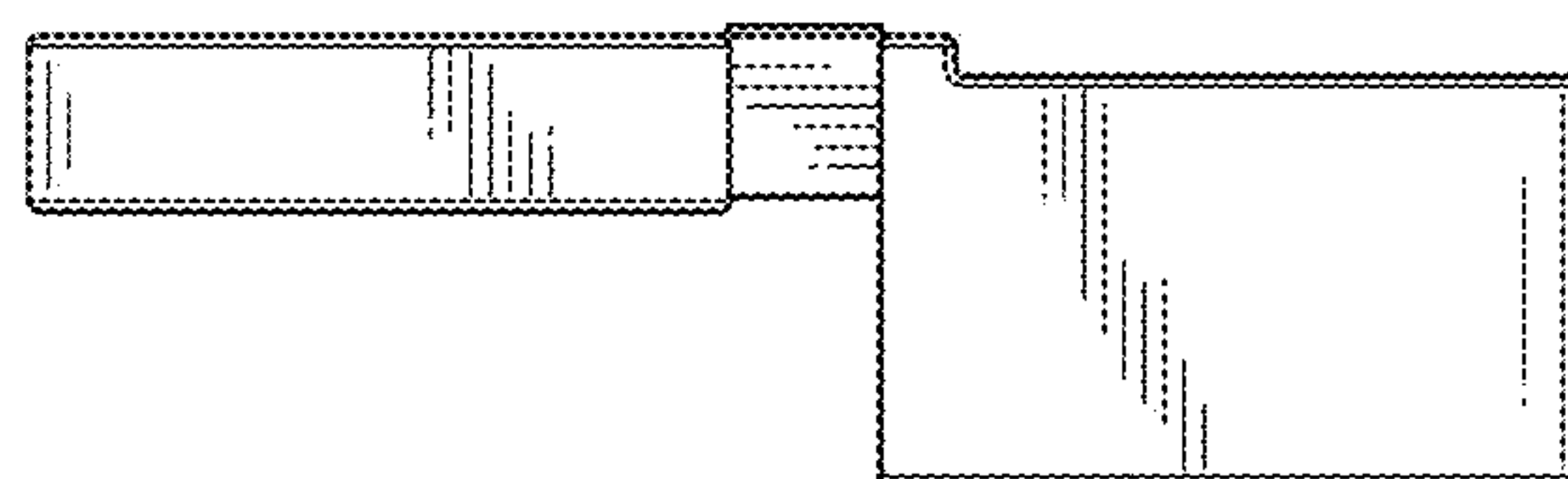


FIG. 6

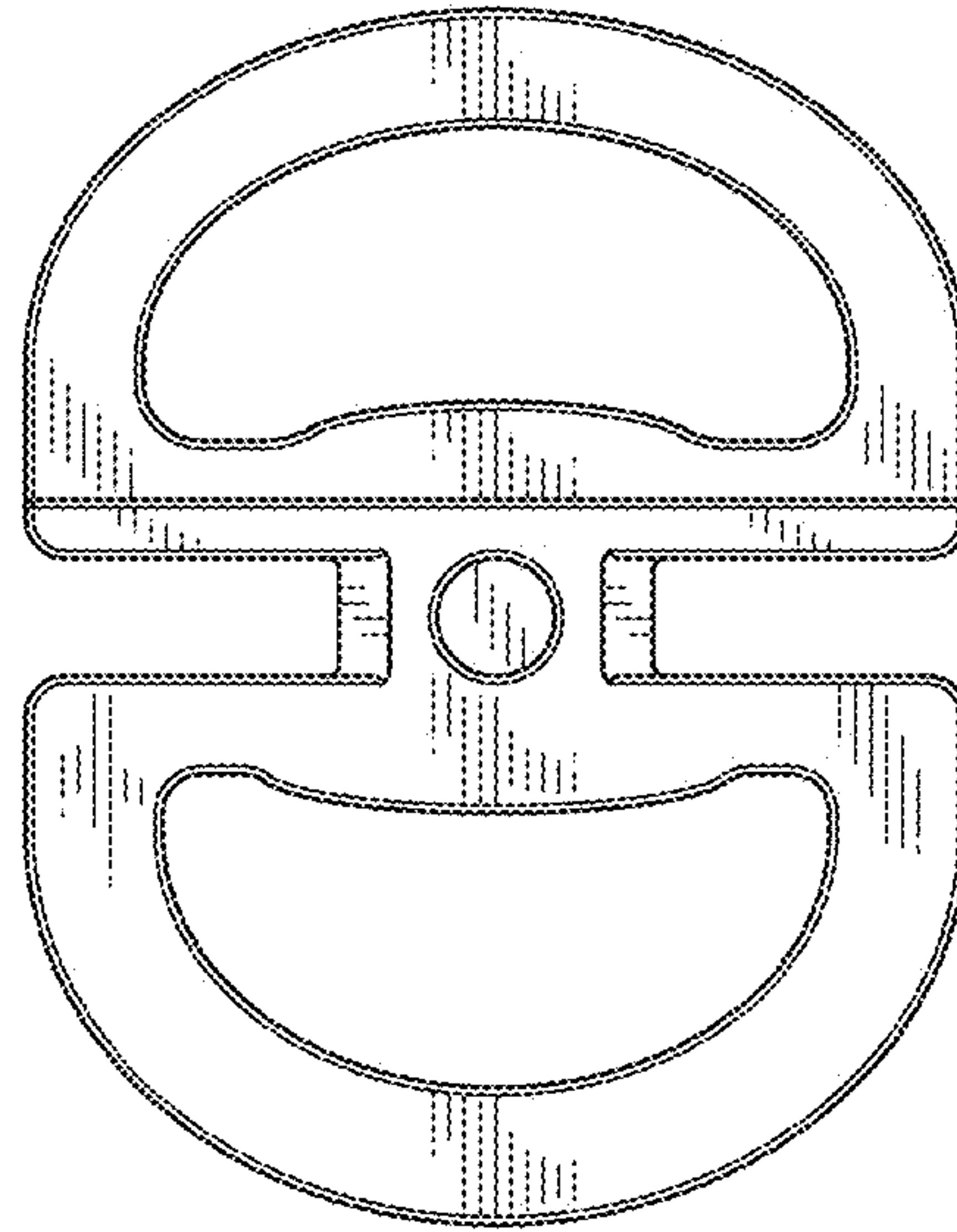


FIG. 7

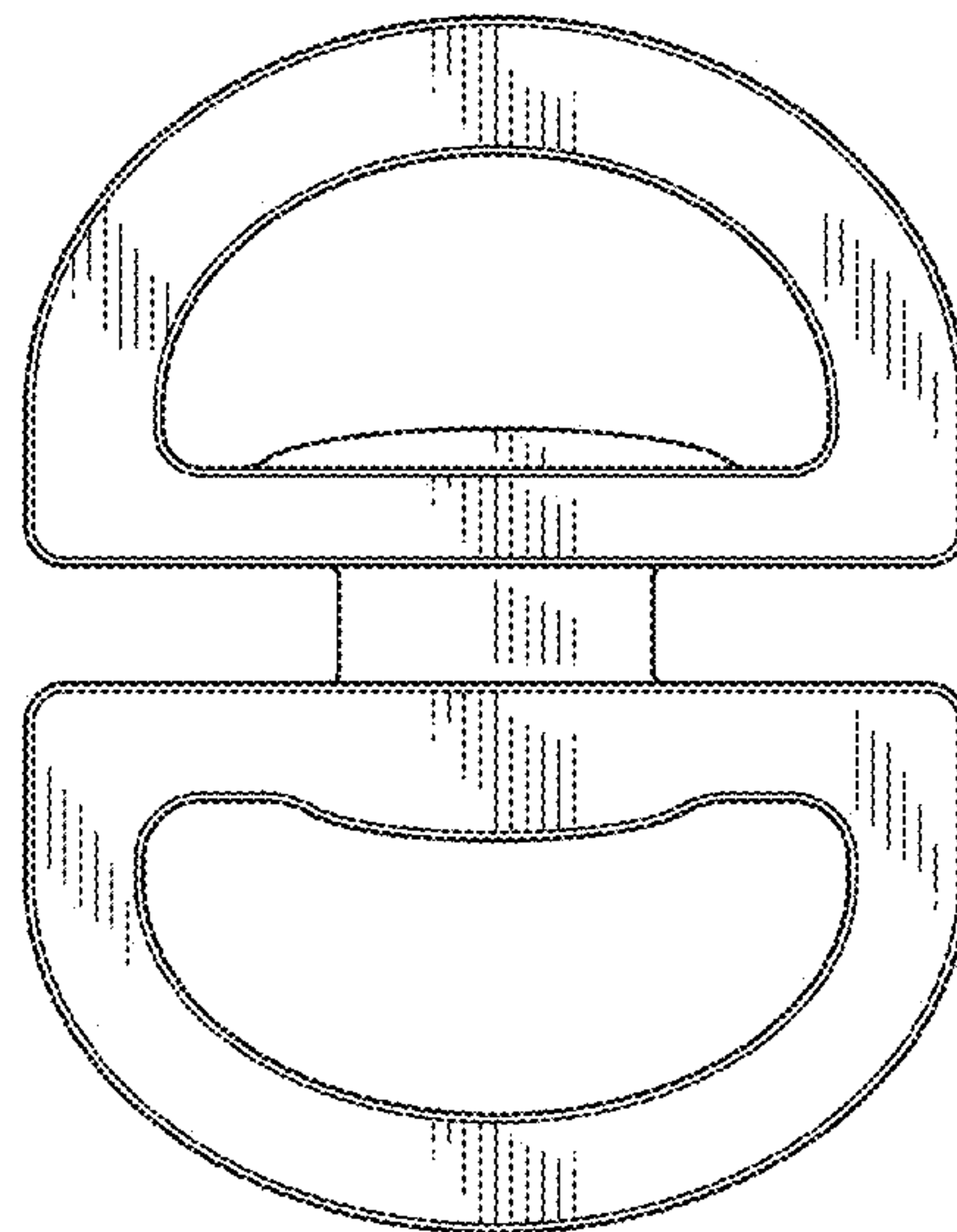


FIG. 8

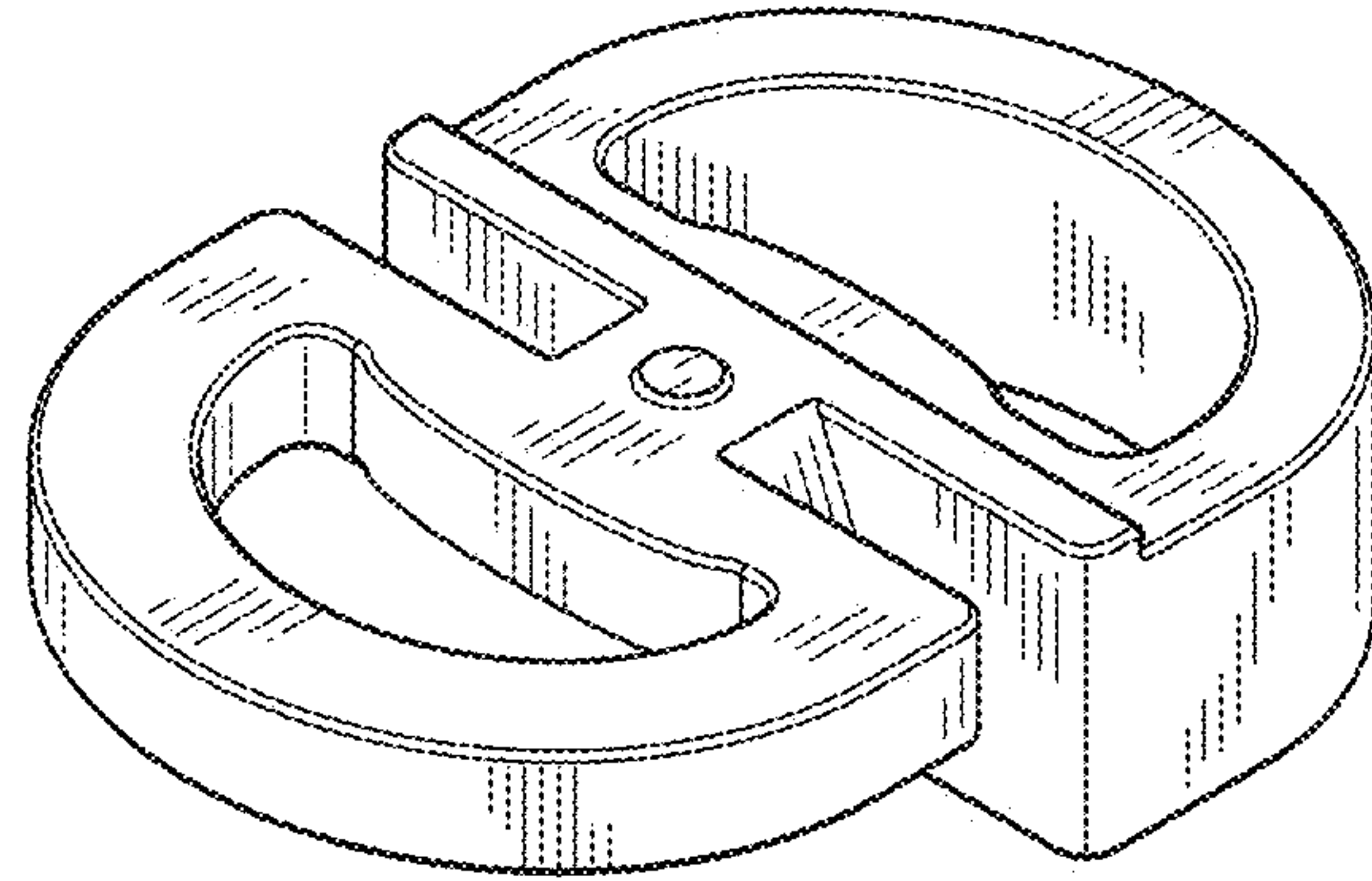


FIG. 9

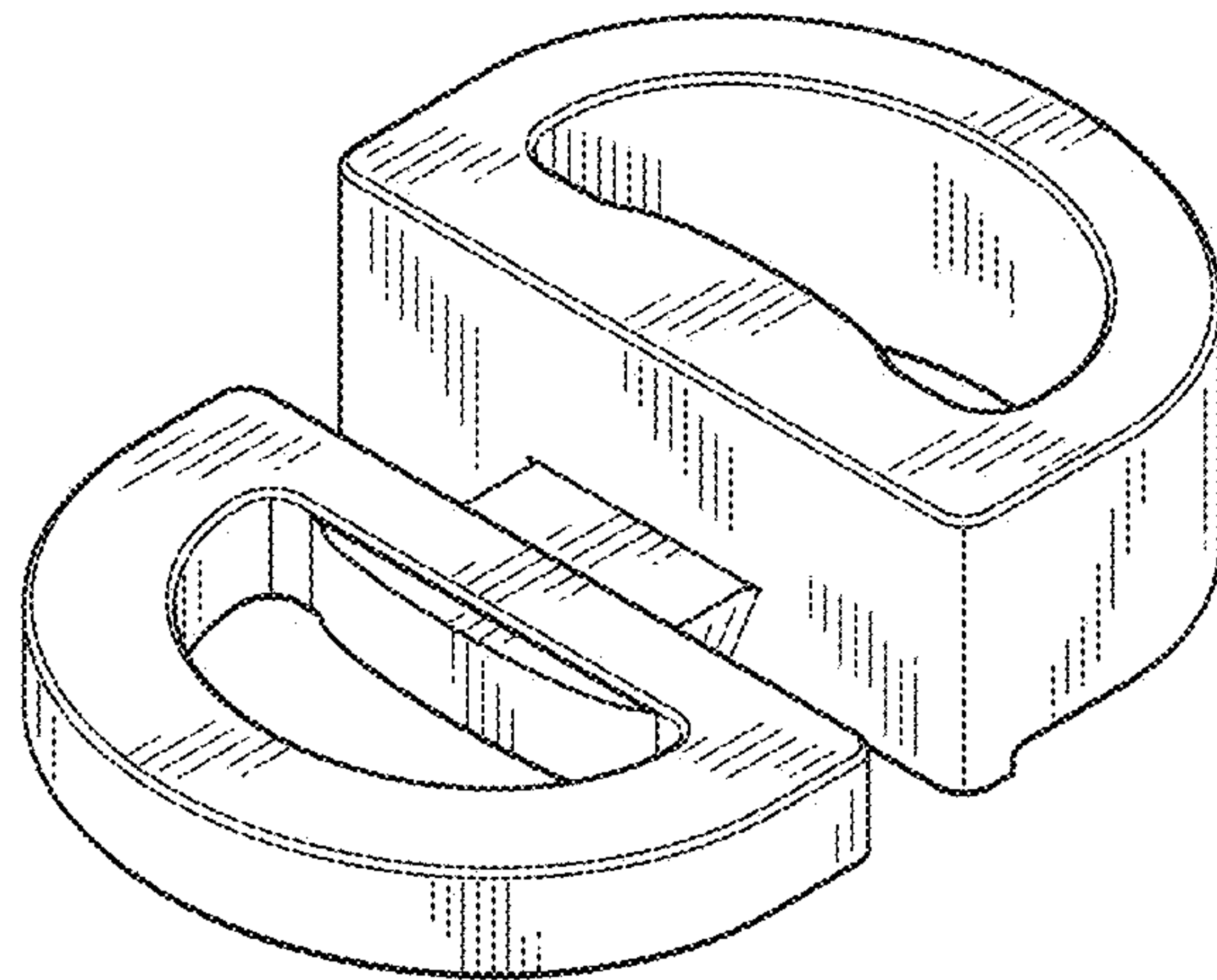


FIG. 10

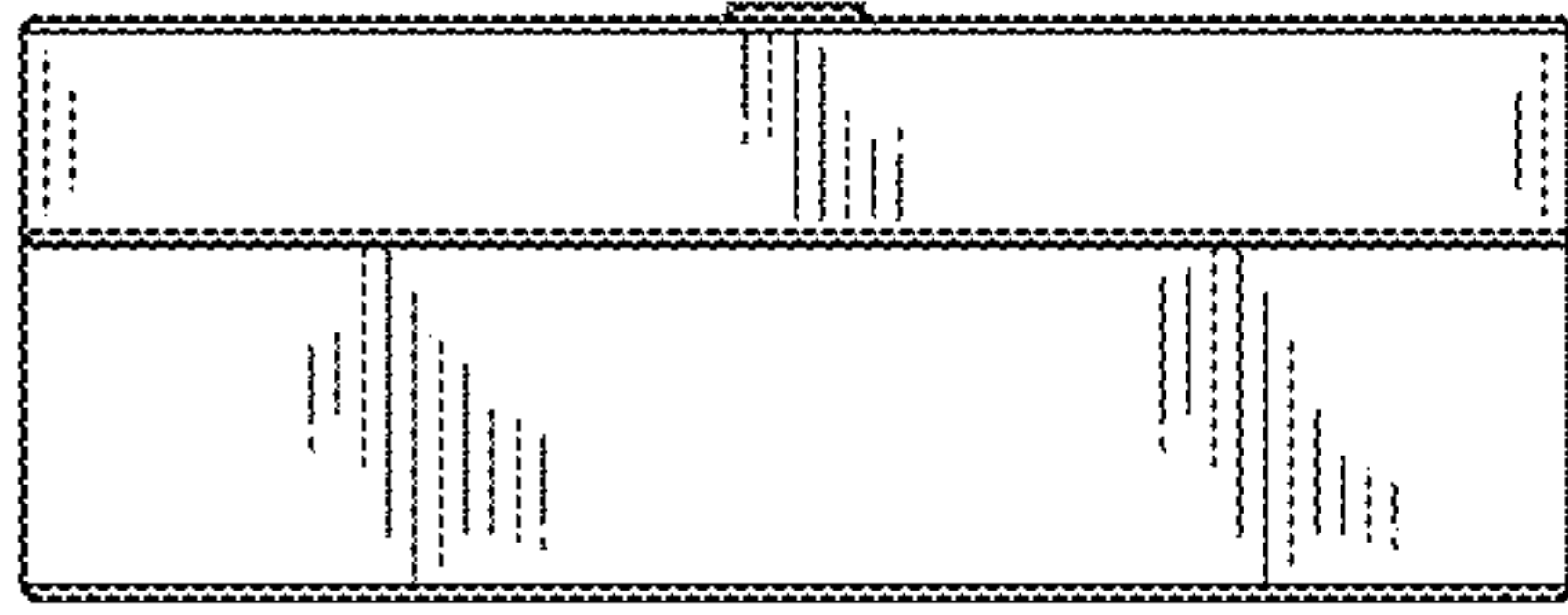


FIG. 11



FIG. 12

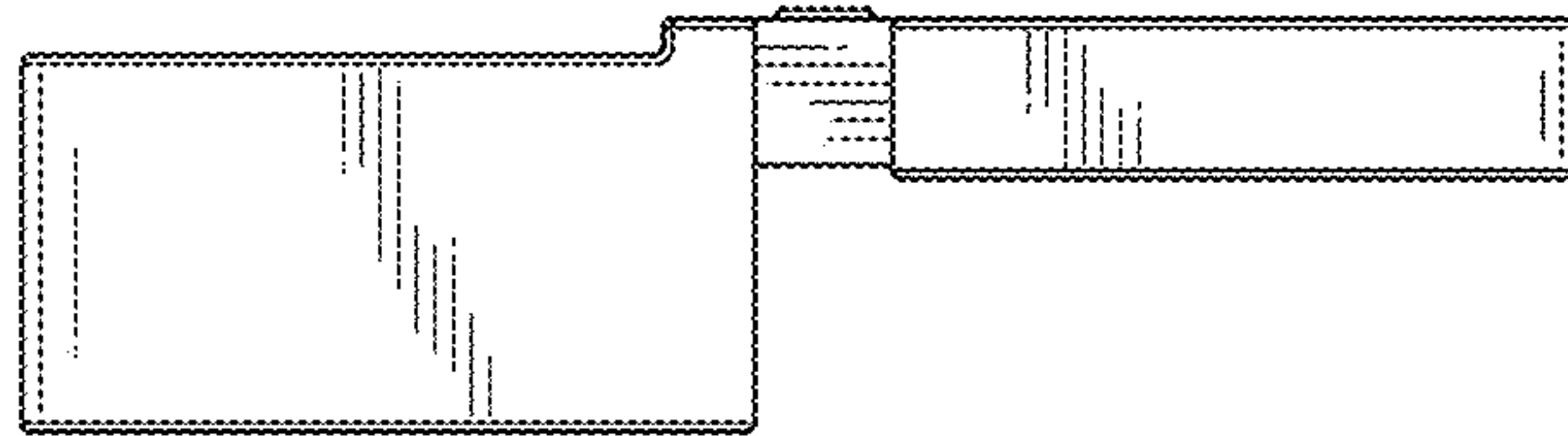


FIG. 13

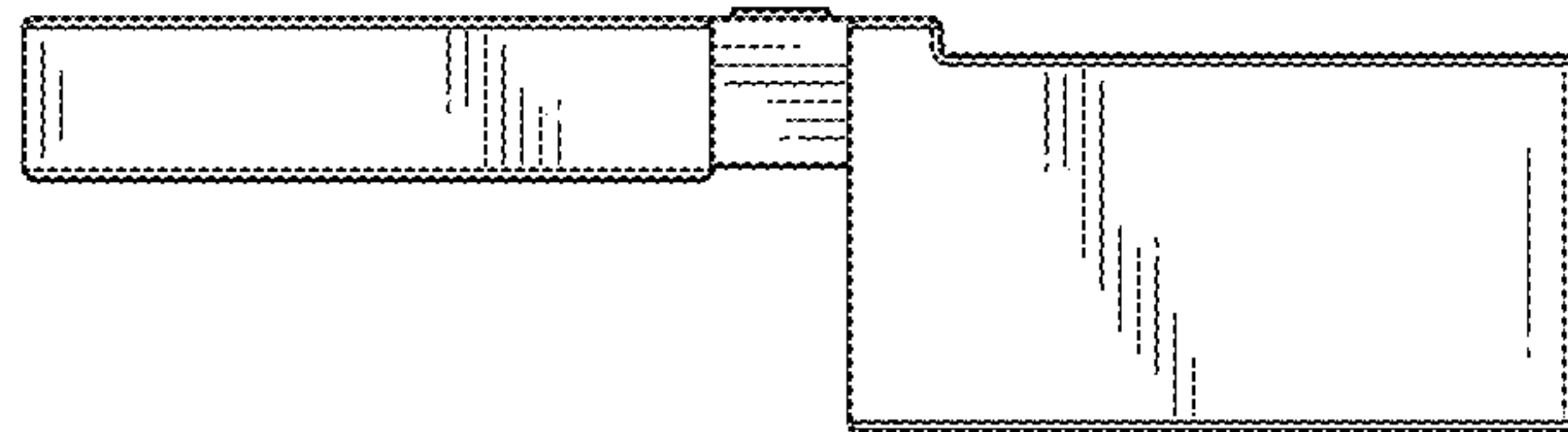


FIG. 14

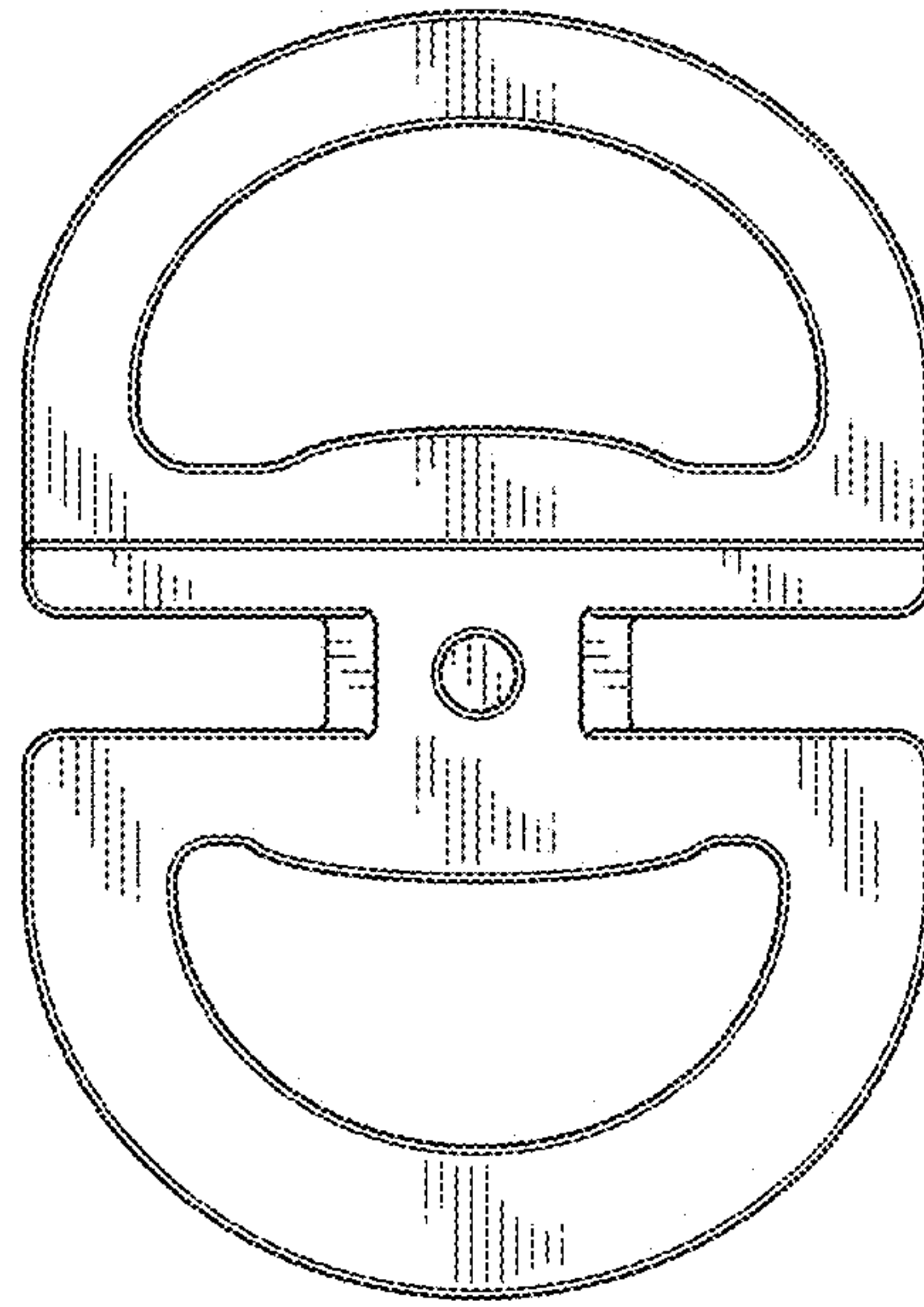


FIG. 15

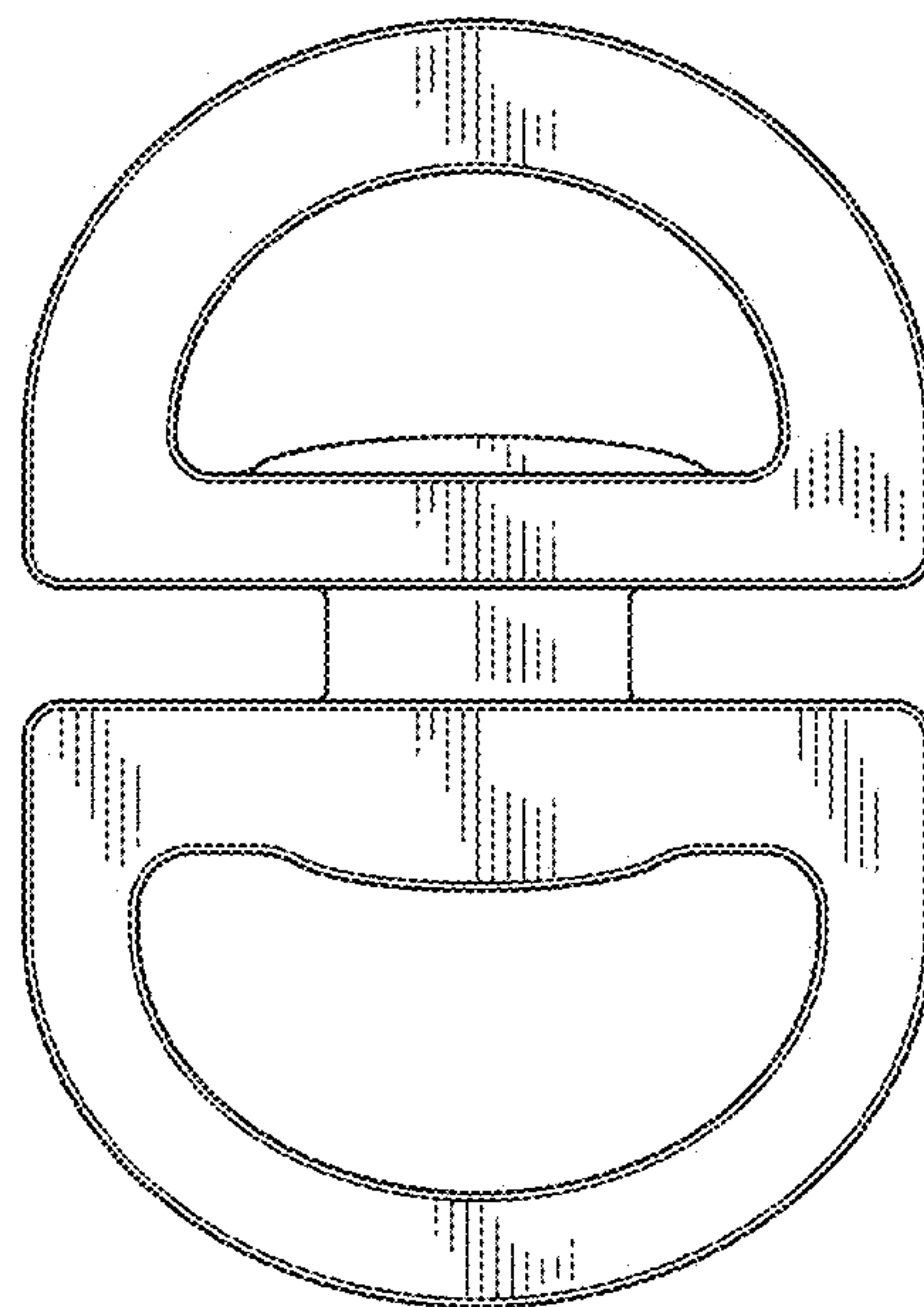


FIG. 16