



US00D915790S

(12) **United States Design Patent** (10) **Patent No.:** **US D915,790 S**
Smythe et al. (45) **Date of Patent:** **** Apr. 13, 2021**

(54) **FOOTREST**

(71) Applicants: **James Smythe**, Columbia, MD (US);
Leah Smythe, Columbia, MD (US)

(72) Inventors: **James Smythe**, Columbia, MD (US);
Leah Smythe, Columbia, MD (US)

(**) Term: **15 Years**

(21) Appl. No.: **29/680,159**

(22) Filed: **Feb. 14, 2019**

(51) **LOC (13) Cl.** **06-09**

(52) **U.S. Cl.**
USPC **D6/601**

(58) **Field of Classification Search**
USPC D6/595–597, 601, 604–606
CPC A47C 27/00; A47C 27/08; A47C 27/12;
A47C 27/14; A47C 7/18; A47C 7/185;
A47C 7/20; A47C 23/00; A47C 27/001;
A47C 27/05; A47C 27/053; A47C
27/056; A47C 27/06; A47C 27/142; A47C
21/00; A47C 21/026; A47G 9/00; A47G
9/06; A47G 9/08; A47G 9/086; A47G
9/1009; A47G 9/10; A47G 9/1027; A47G
9/1054; A47G 9/1063; A47G 9/1072;
A47G 9/1045; A47G 9/1081; A47G
9/109; A47G 2009/1018; A47G 2009/003
See application file for complete search history.

(56) **References Cited**

U.S. PATENT DOCUMENTS

D242,388 S * 11/1976 Castleberry D24/183
D320,715 S * 10/1991 Magnin D6/601
D336,134 S * 6/1993 Kalatsky D24/190
D406,718 S * 3/1999 Jacobs D21/686
D573,830 S * 7/2008 Kalatsky D6/601
D781,076 S * 3/2017 Stokes D6/601
D793,769 S * 8/2017 Nacey D6/601

FOREIGN PATENT DOCUMENTS

CA 2475638 C * 9/2011
GB 782867 A * 9/1957 A47C 7/30
JP 08140777 A * 6/1996 B29C 44/0476
JP 2016209403 A * 12/2016

OTHER PUBLICATIONS

Amazon.com, “Ergonomic Foot Rest Cushion Under Desk—Black Premium Velvet Soft Foam Footrest . . . ,” <https://www.amazon.com/Ergonomic-Foot-Rest-Under-Desk/>, downloaded Dec. 26, 2018.
Bodygearable.com, “Best Under Desk Foot Rest in 2018—Home . . . ,” <https://bodygearable.com/best-under-desk-foot-rest/>, downloaded Dec. 26, 2018.
Amazon.com, “Foot Rest Cushion Under Desk, Fleeken Ankle Leg and Back Pain Relief Asymmetrical Half Cylinder Shape Pillow with Non-Slip Cover for Office and Home,” <https://www.amazon.com/Cushion-Fleeken-Asymmetrical-Cylinder-Non-Slip/>, downloaded Feb. 14, 2019.

* cited by examiner

Primary Examiner — R. Johnson
(74) *Attorney, Agent, or Firm* — Hoang Steve Ngo

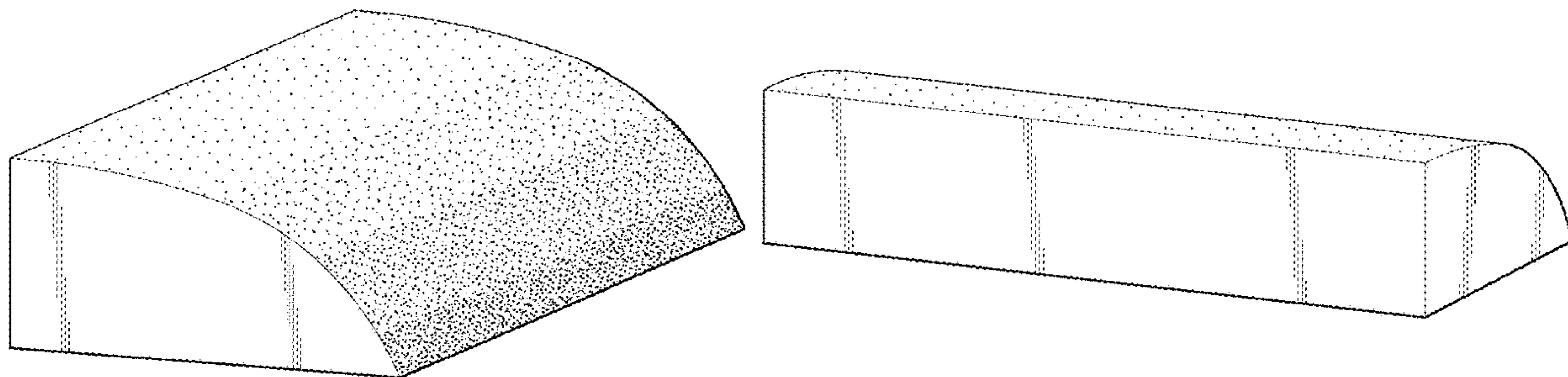
(57) **CLAIM**

The ornamental design for a footrest, as shown and described.

DESCRIPTION

FIG. 1 is a front, right side, perspective view of a footrest showing my new design;
FIG. 2 is a rear, right side, perspective view of the footrest of FIG. 1;
FIG. 3 is a right side view of the footrest of FIG. 1;
FIG. 4 is a left side view of the footrest of FIG. 1;
FIG. 5 is a top view of the footrest of FIG. 1;
FIG. 6 is a bottom view of the footrest of FIG. 1;
FIG. 7 is a front view of the footrest of FIG. 1; and,
FIG. 8 is a rear view of the footrest of FIG. 1.

1 Claim, 5 Drawing Sheets



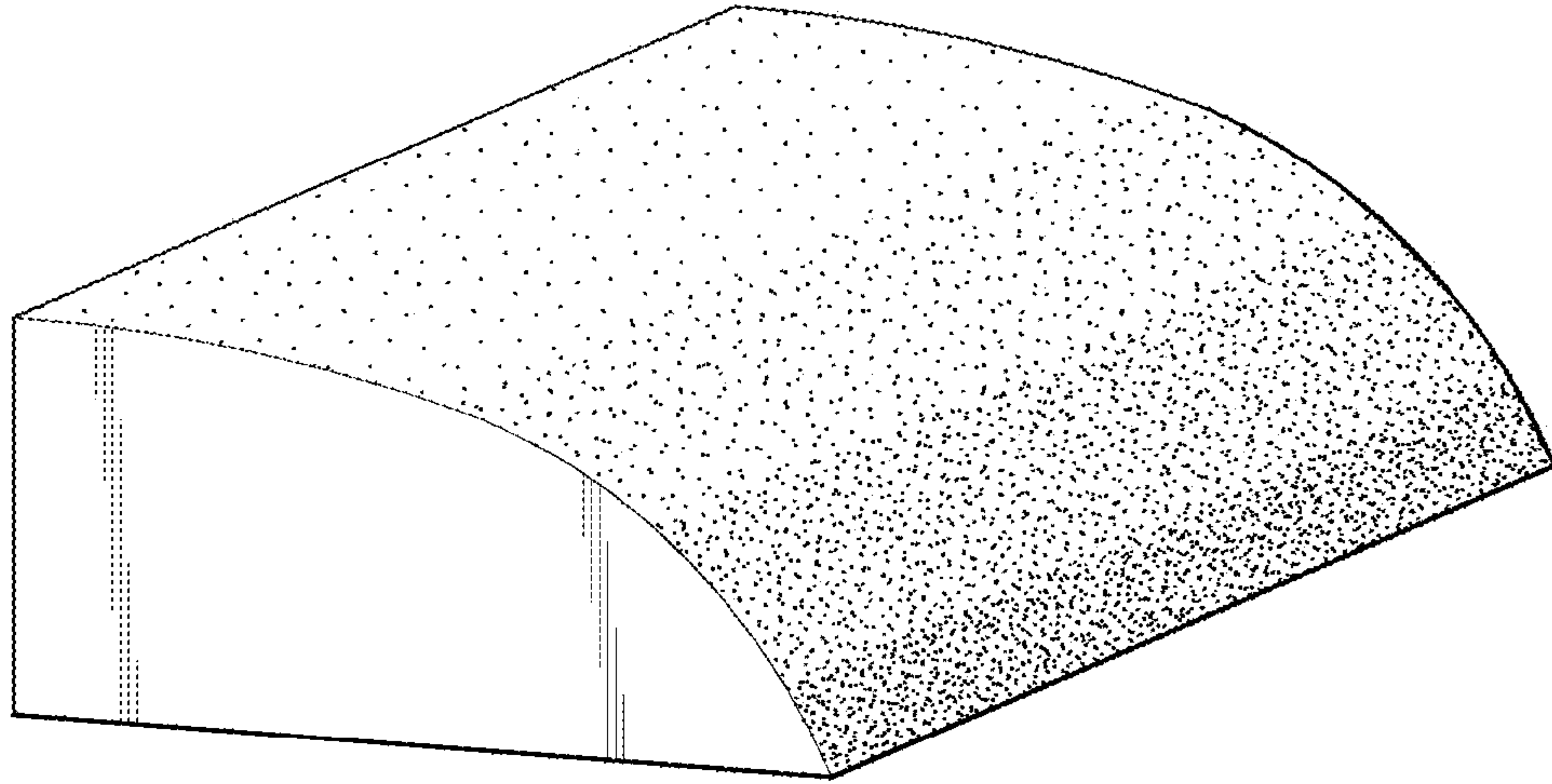


FIG. 1

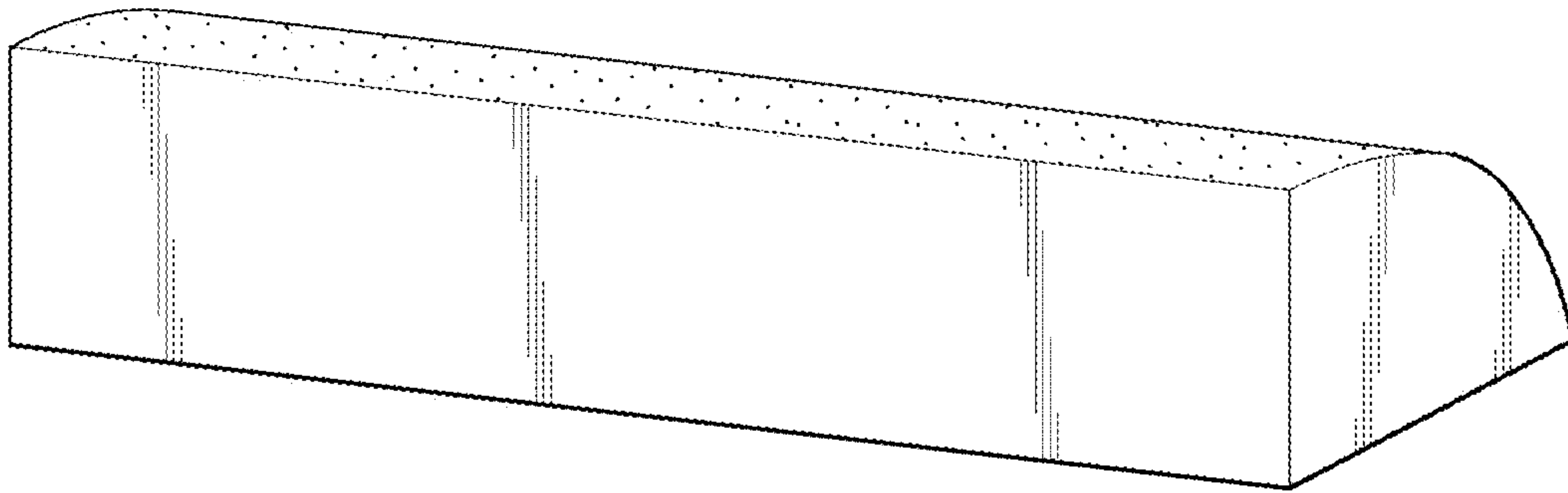


FIG. 2

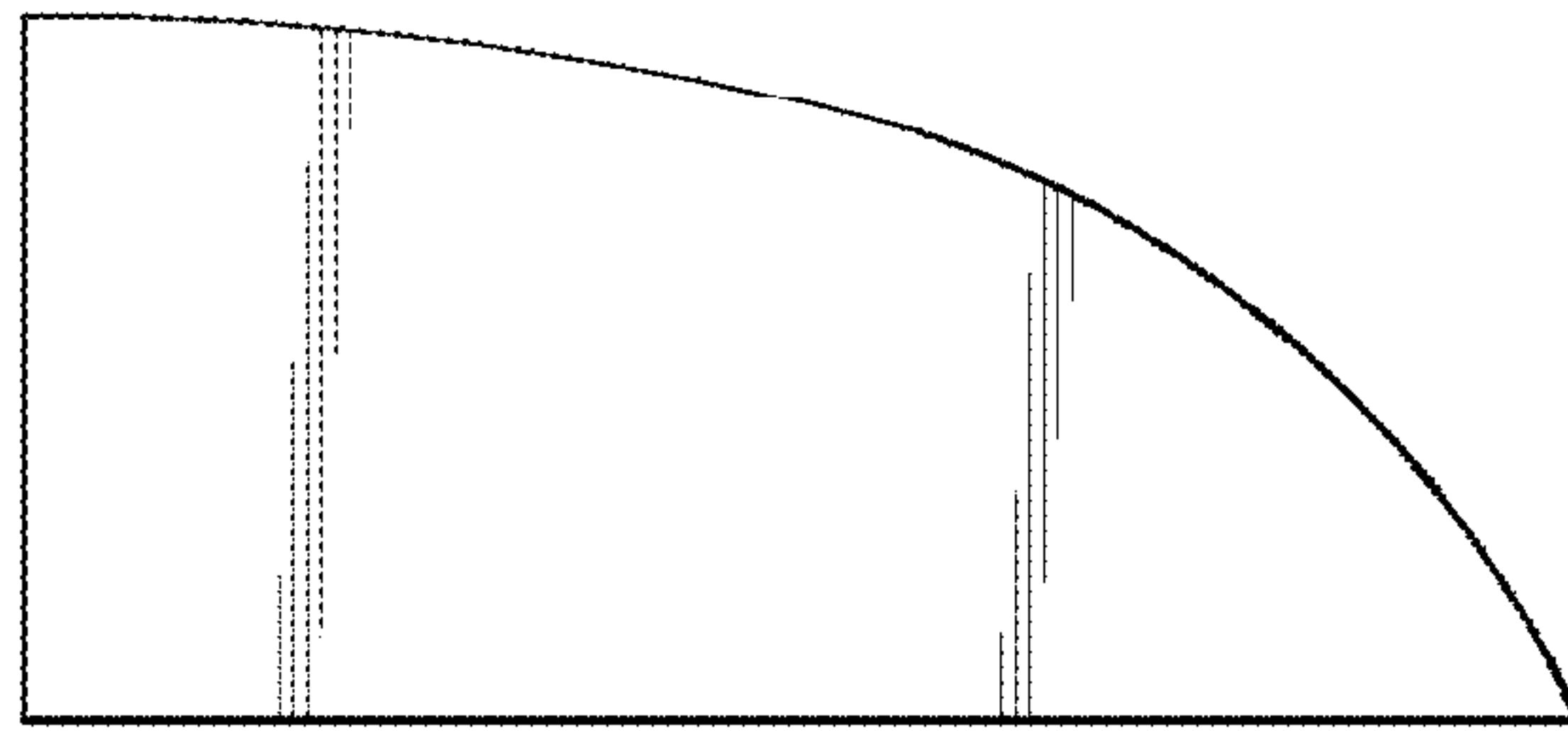


FIG. 3

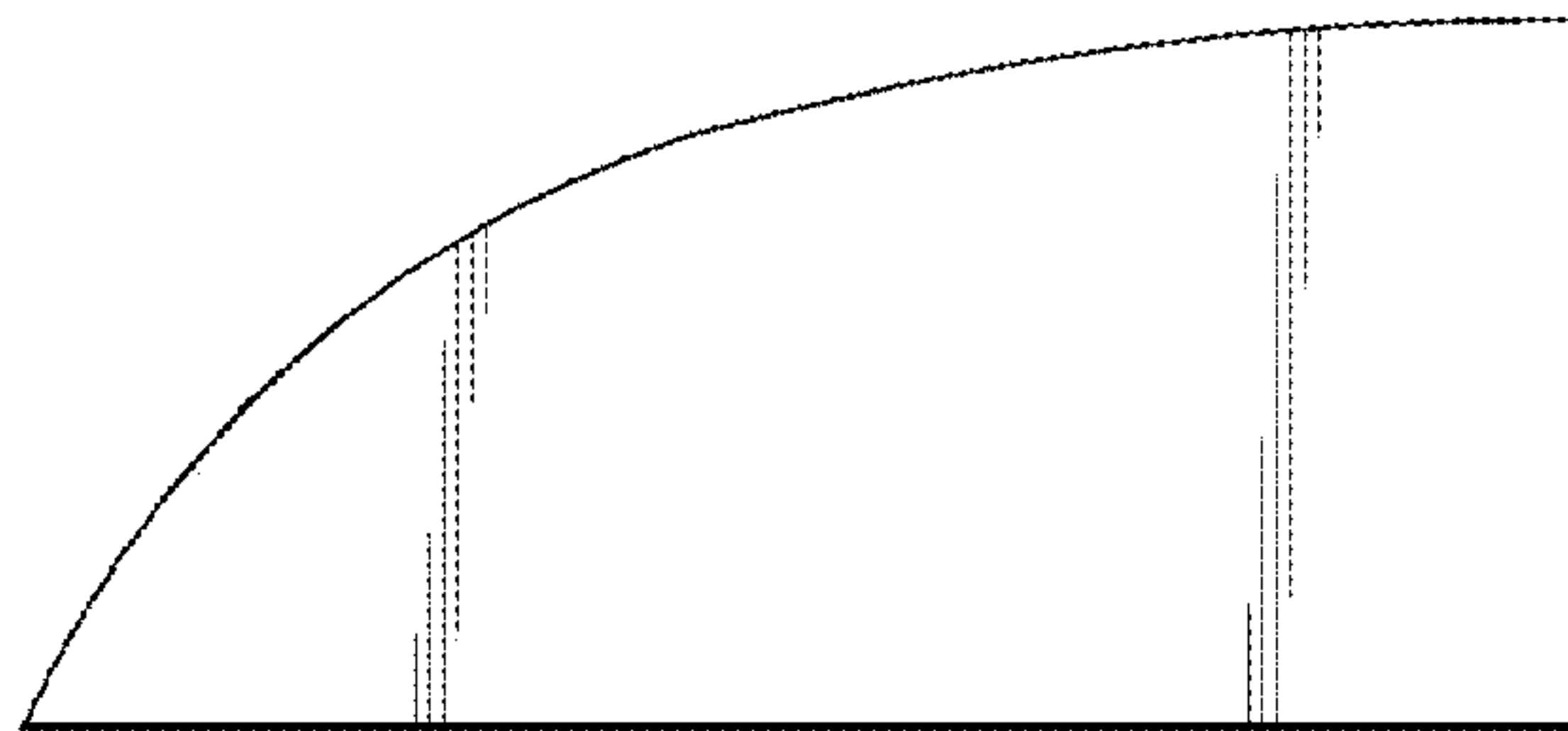


FIG. 4

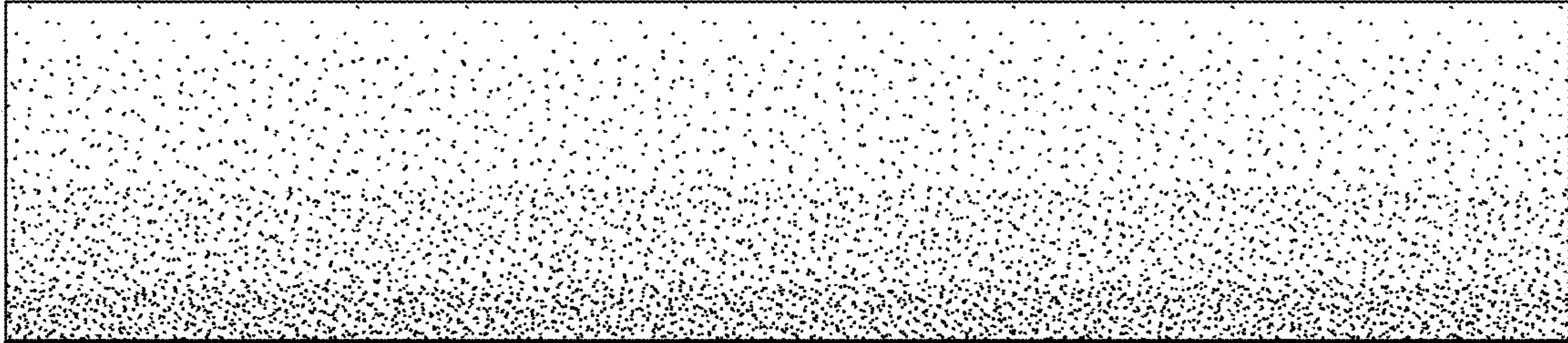


FIG. 5

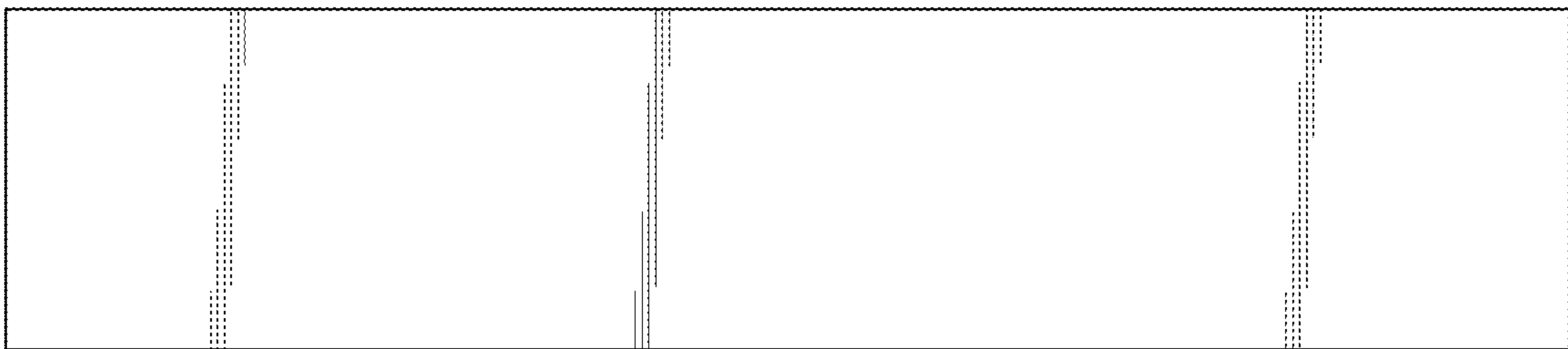


FIG. 6

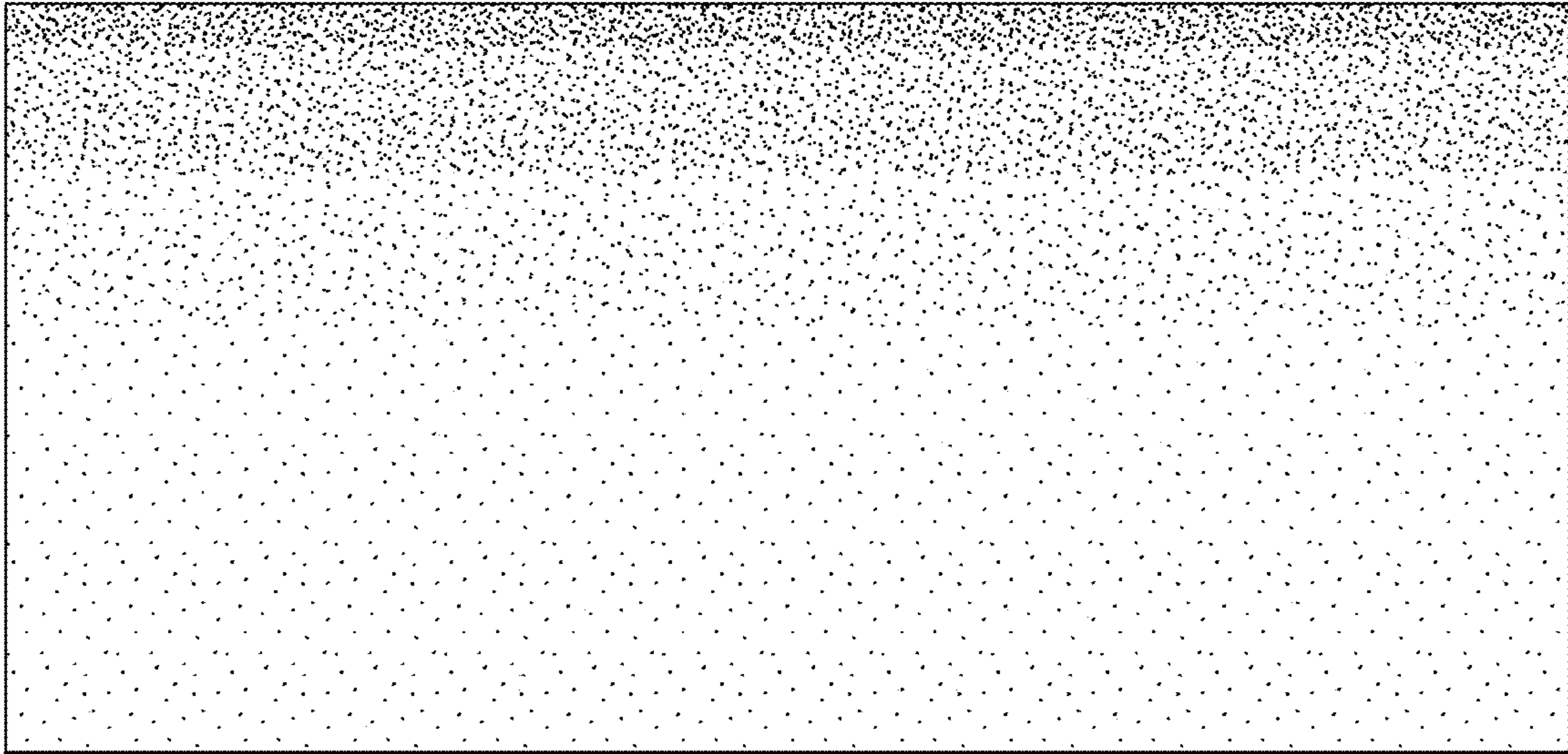


FIG. 7



FIG. 8