



US00D915785S

(12) **United States Design Patent** (10) **Patent No.:** **US D915,785 S**  
**Feigenbaum** (45) **Date of Patent:** **\*\* Apr. 13, 2021**

(54) **COSMETICS DISPENSER**  
(71) Applicant: **CSD GmbH Cosmetic Systems Development & Distribution, Kehl (DE)**  
(72) Inventor: **Robert Feigenbaum, Kehl (DE)**  
(73) Assignee: **CSD GmbH Cosmetic Systems Development & Distribution, Kehl (DE)**

(\*\*) Term: **15 Years**

(21) Appl. No.: **35/507,006**

(22) Filed: **Jan. 9, 2019**

(80) **Hague Agreement Data**

Int. Filing Date: **Jan. 9, 2019**  
Int. Reg. No.: **DM/201581**  
Int. Reg. Date: **Jan. 9, 2019**  
Int. Reg. Pub. Date: **Jun. 28, 2019**

(30) **Foreign Application Priority Data**

Jul. 18, 2018 (DE) ..... 40 2018 000 671.4

(51) **LOC (13) Cl.** ..... **23-02**

(52) **U.S. Cl.**  
USPC ..... **D6/545**

(58) **Field of Classification Search**  
USPC ..... D6/512, 524, 542, 543, 545, 553  
CPC ... A47K 5/00; A47K 5/06; A47K 5/12; A47K 5/1202; A47K 5/1204; A47K 5/1207  
See application file for complete search history.

(56) **References Cited**

**U.S. PATENT DOCUMENTS**

1,094,615 A \* 4/1914 Watrous ..... A47K 5/1204  
222/153.03  
1,133,698 A \* 3/1915 Barney ..... 222/91

D612,649 S \* 3/2010 Pattberg ..... D6/545  
D634,142 S \* 3/2011 Meyerhoffer ..... D6/545  
D687,653 S \* 8/2013 Giovannoni ..... A47K 5/1208  
D6/545  
D730,077 S \* 5/2015 Watson ..... A47K 5/1204  
D6/542  
D773,850 S \* 12/2016 Schalitz ..... B05B 11/0054  
D6/542  
D809,845 S \* 2/2018 Marchitello ..... A47K 5/122  
D7/306  
10,165,906 B1 \* 1/2019 Beychok ..... A61L 9/012  
2010/0301070 A1 \* 12/2010 Allef ..... A47K 5/1208  
222/207  
2011/0095050 A1 \* 4/2011 Hagleitner ..... A47K 5/1202  
222/25

(Continued)

*Primary Examiner* — Mary Ann Calabrese

(74) *Attorney, Agent, or Firm* — Volpe Koenig

(57) **CLAIM**

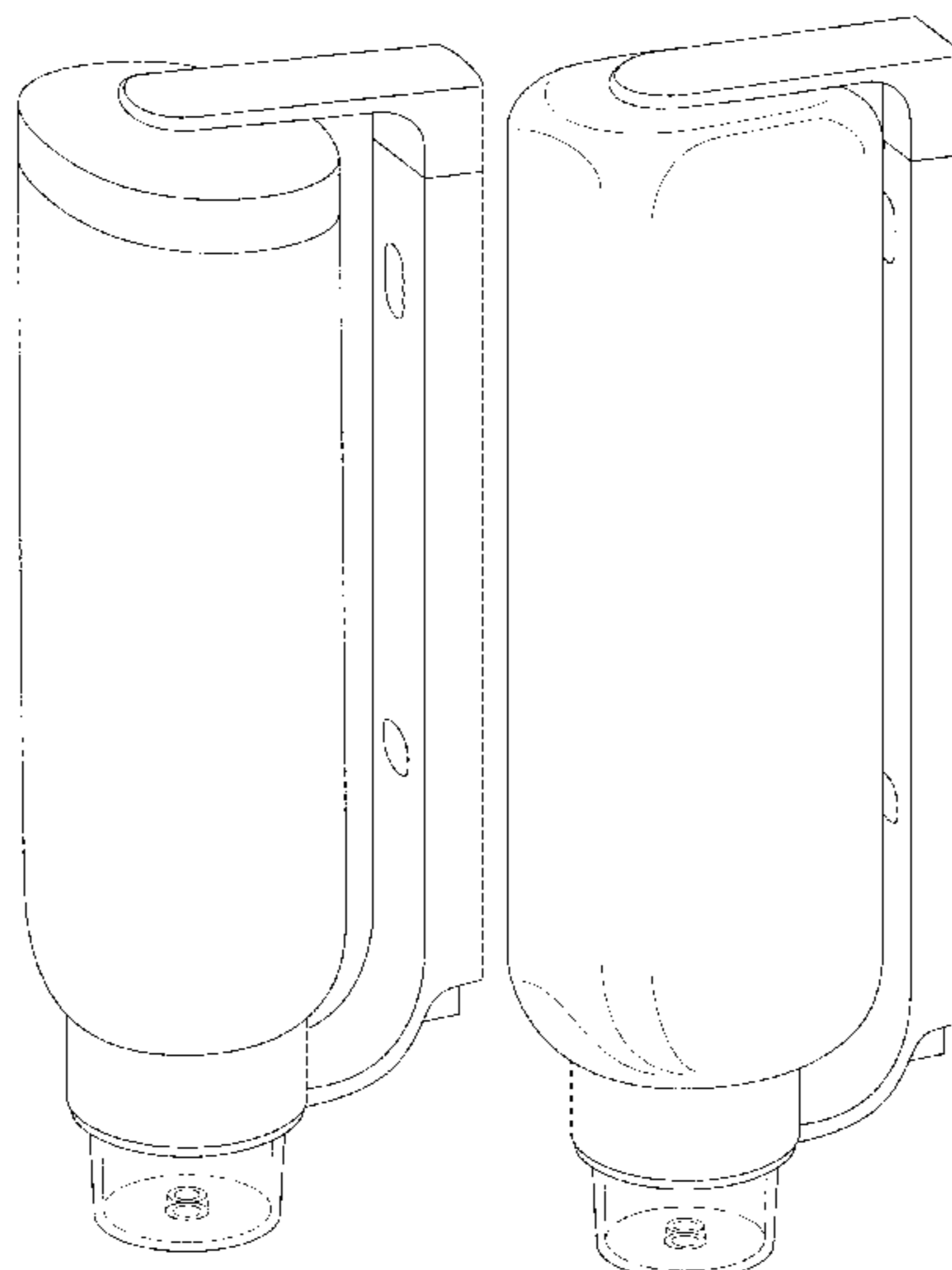
The ornamental design for a cosmetics dispenser, as shown and described.

**DESCRIPTION**

- 1.-2. Cosmetics dispenser
- 1.1 Rear elevational view
- 1.2 Left side elevational view
- 1.3 Front elevational view
- 1.4 Right side elevational view
- 1.5 Top plan view
- 1.6 Bottom plan view
- 1.7 Perspective view
- 2.1 Rear elevational view
- 2.2 Left side elevational view
- 2.3 Top plan view
- 2.4 Right side elevational view
- 2.5 Bottom plan view
- 2.6 Front elevational view
- 2.7 Perspective view

In the drawings, the broken lines show portions of the cosmetics dispenser that form no part of the claimed design.

**1 Claim, 13 Drawing Sheets**



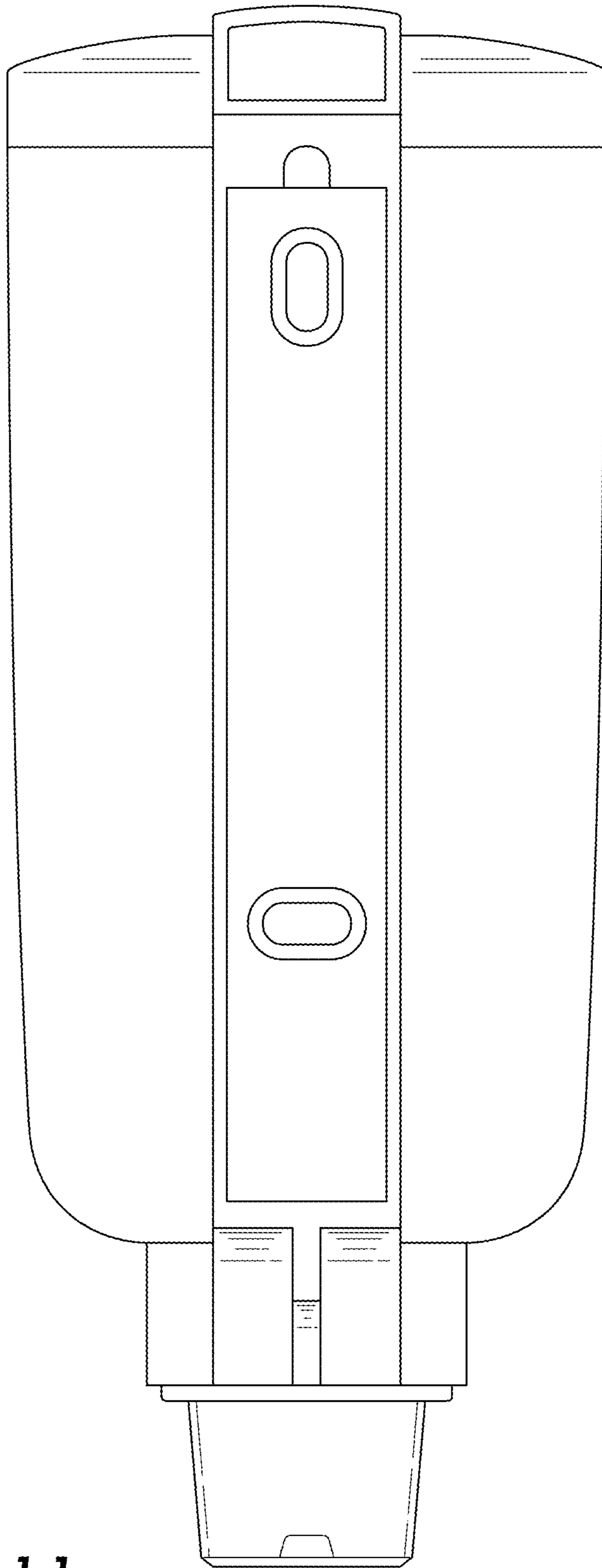
(56)

**References Cited**

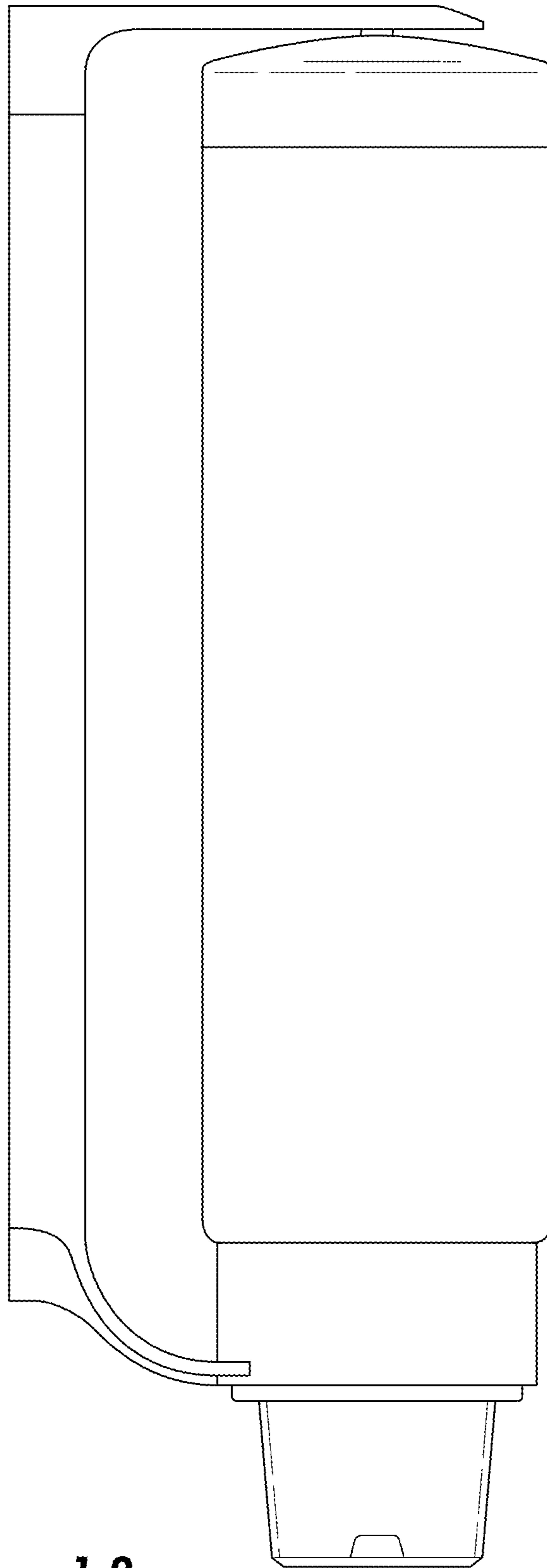
U.S. PATENT DOCUMENTS

2012/0199609 A1\* 8/2012 Schwenkenberg ..... A47K 5/122  
222/181.3  
2020/0046173 A1\* 2/2020 Lindstrom ..... B05B 11/0054

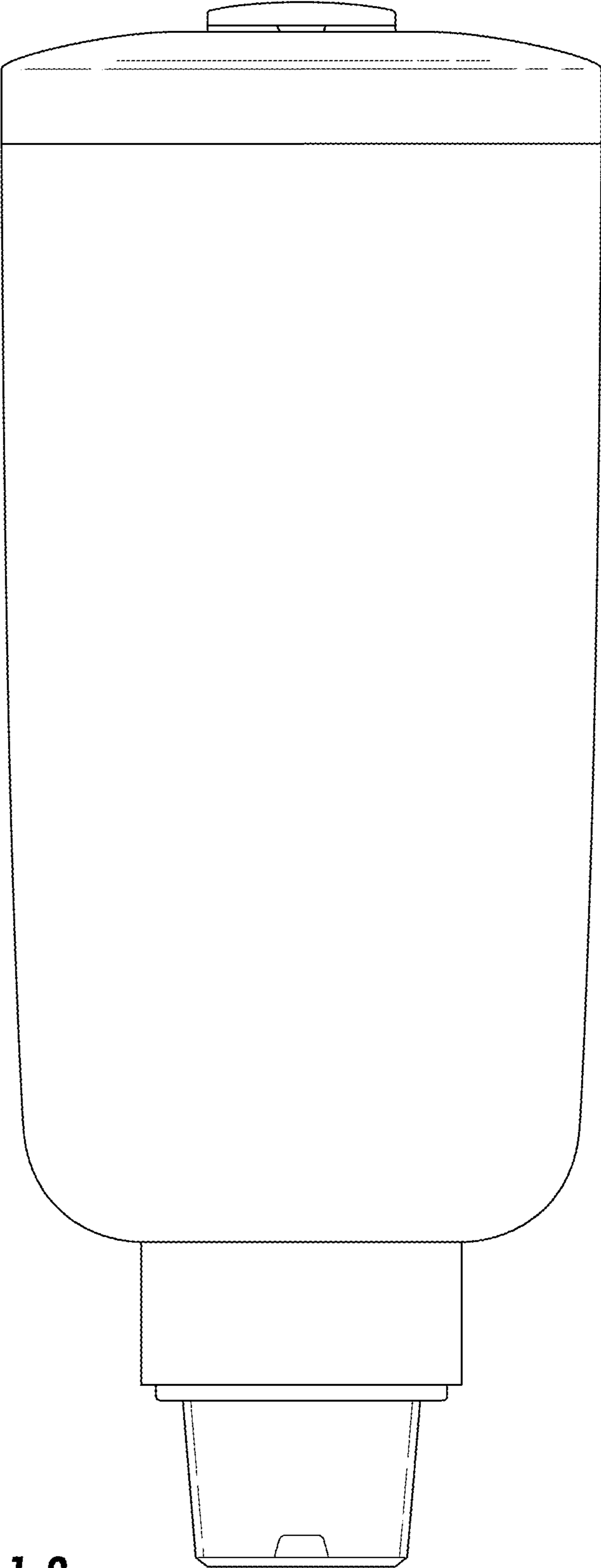
\* cited by examiner



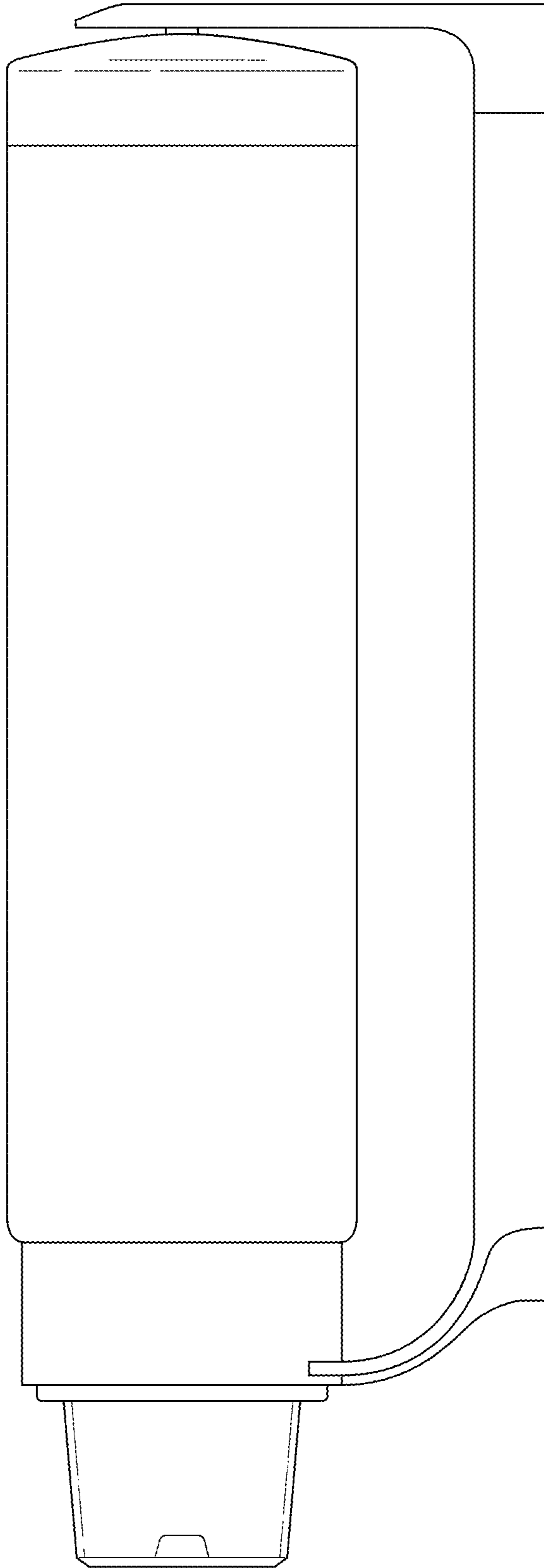
**1.1**



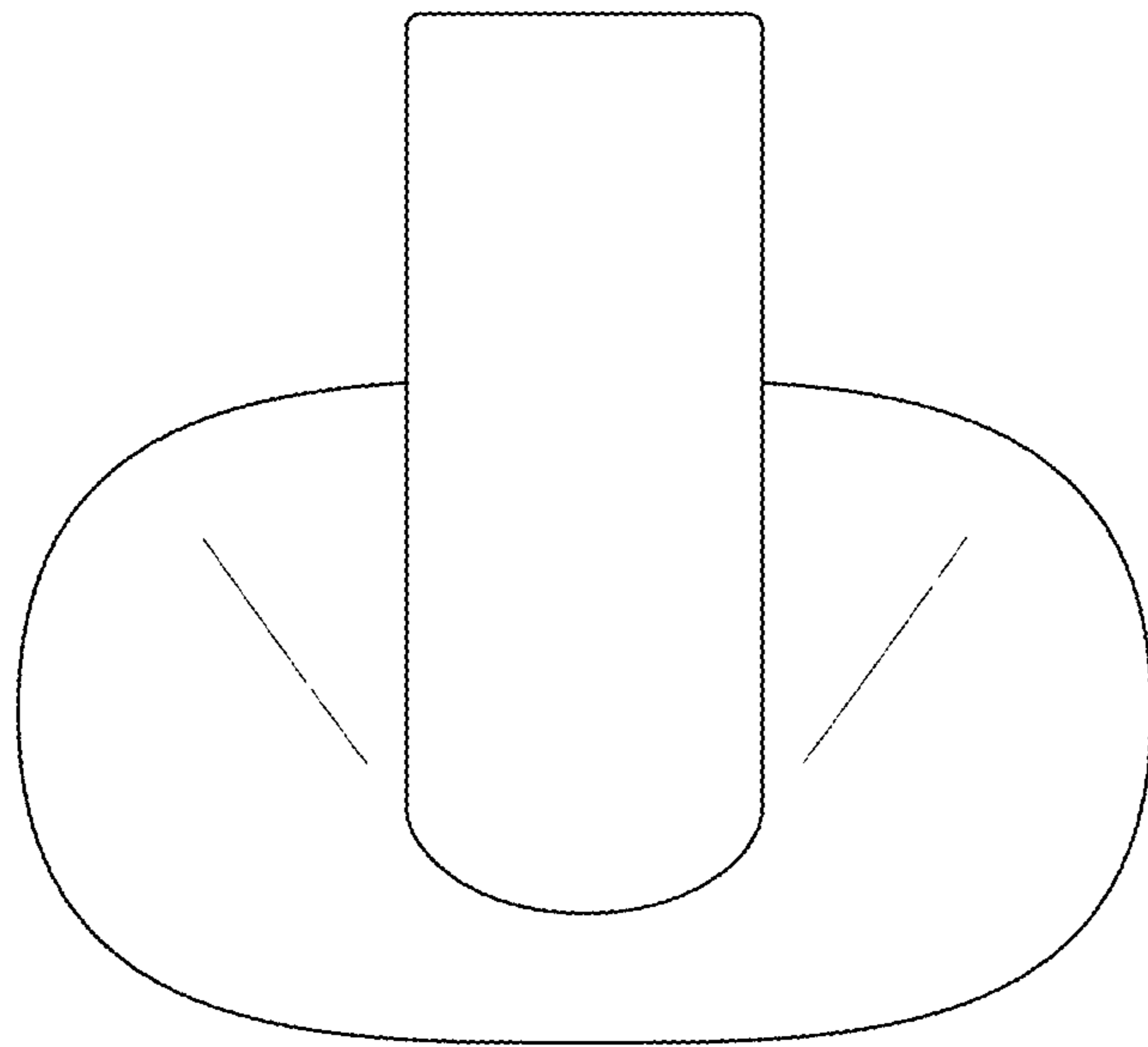
1.2



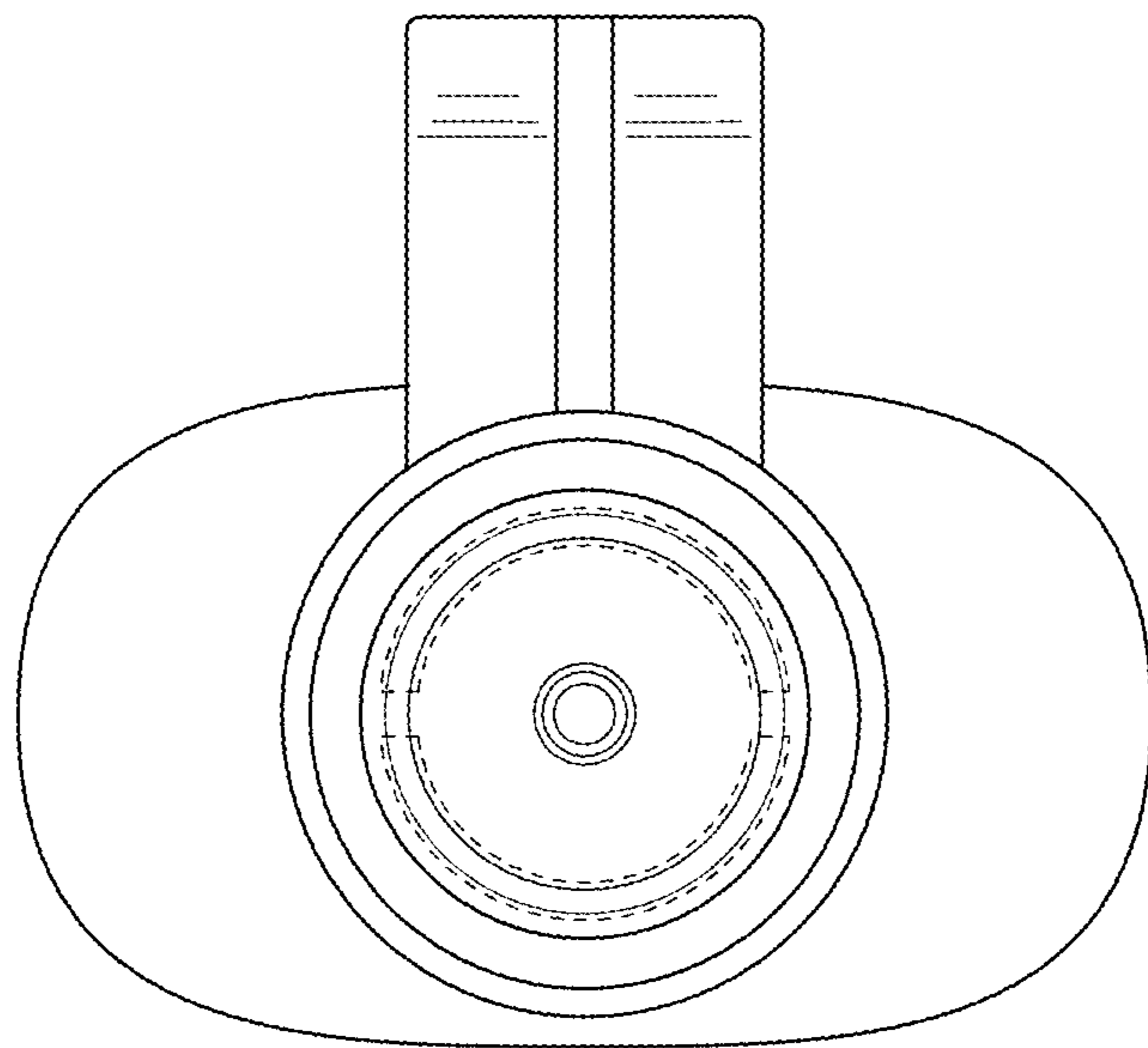
1.3



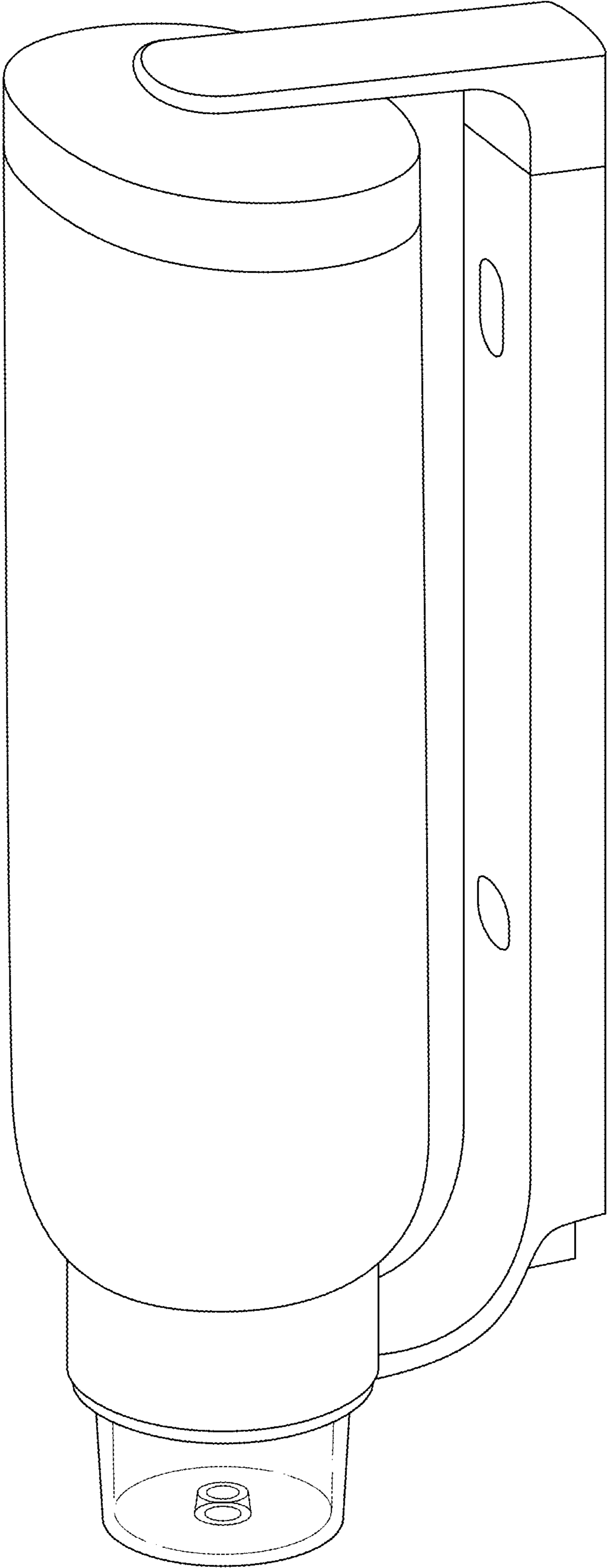
1.4



**1.5**

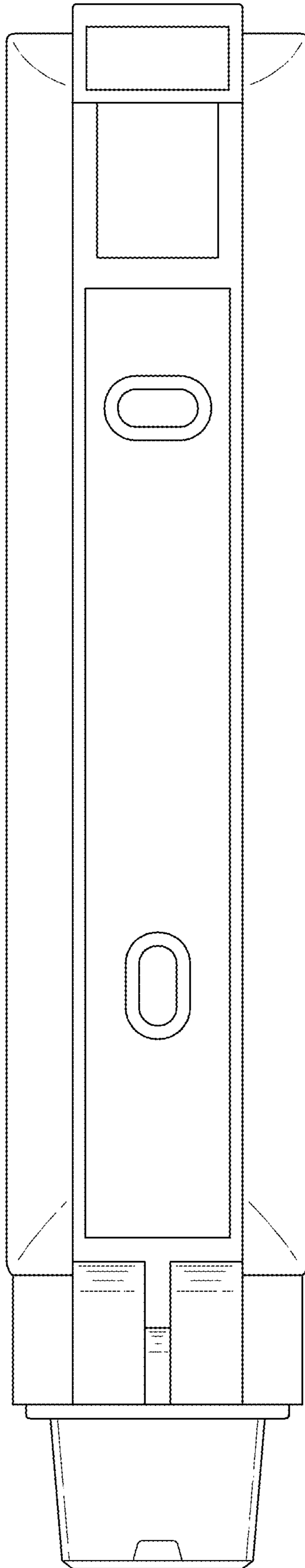


**1.6**

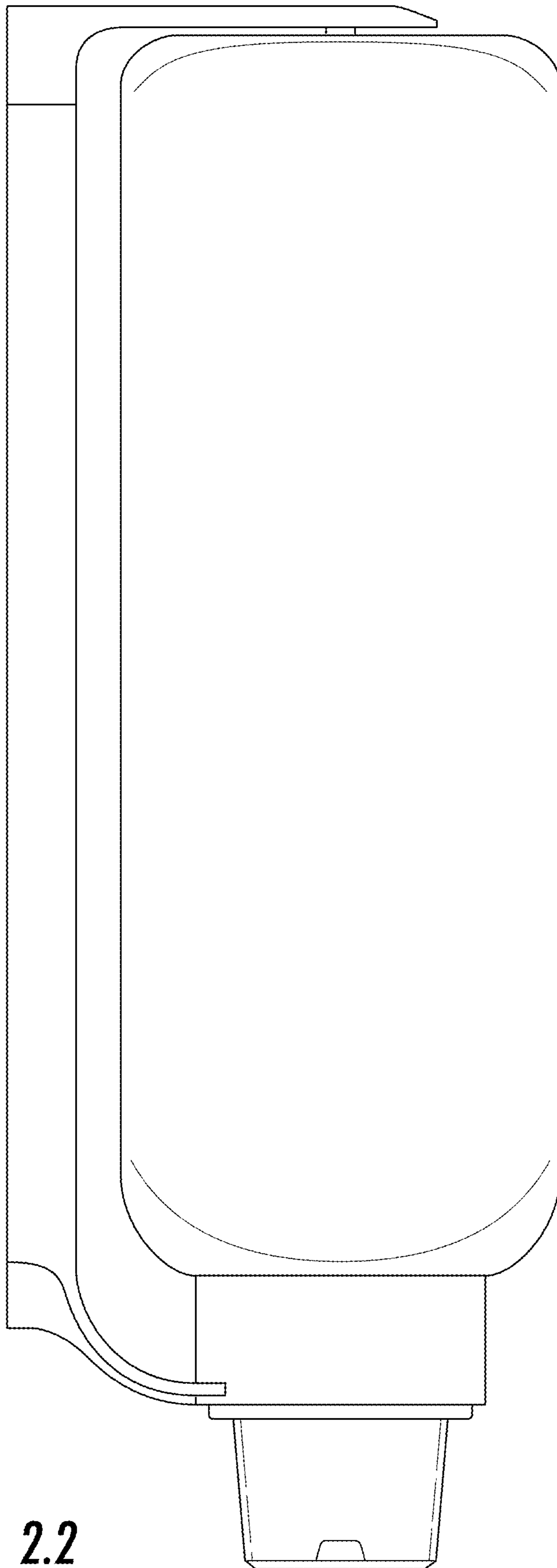


1.7

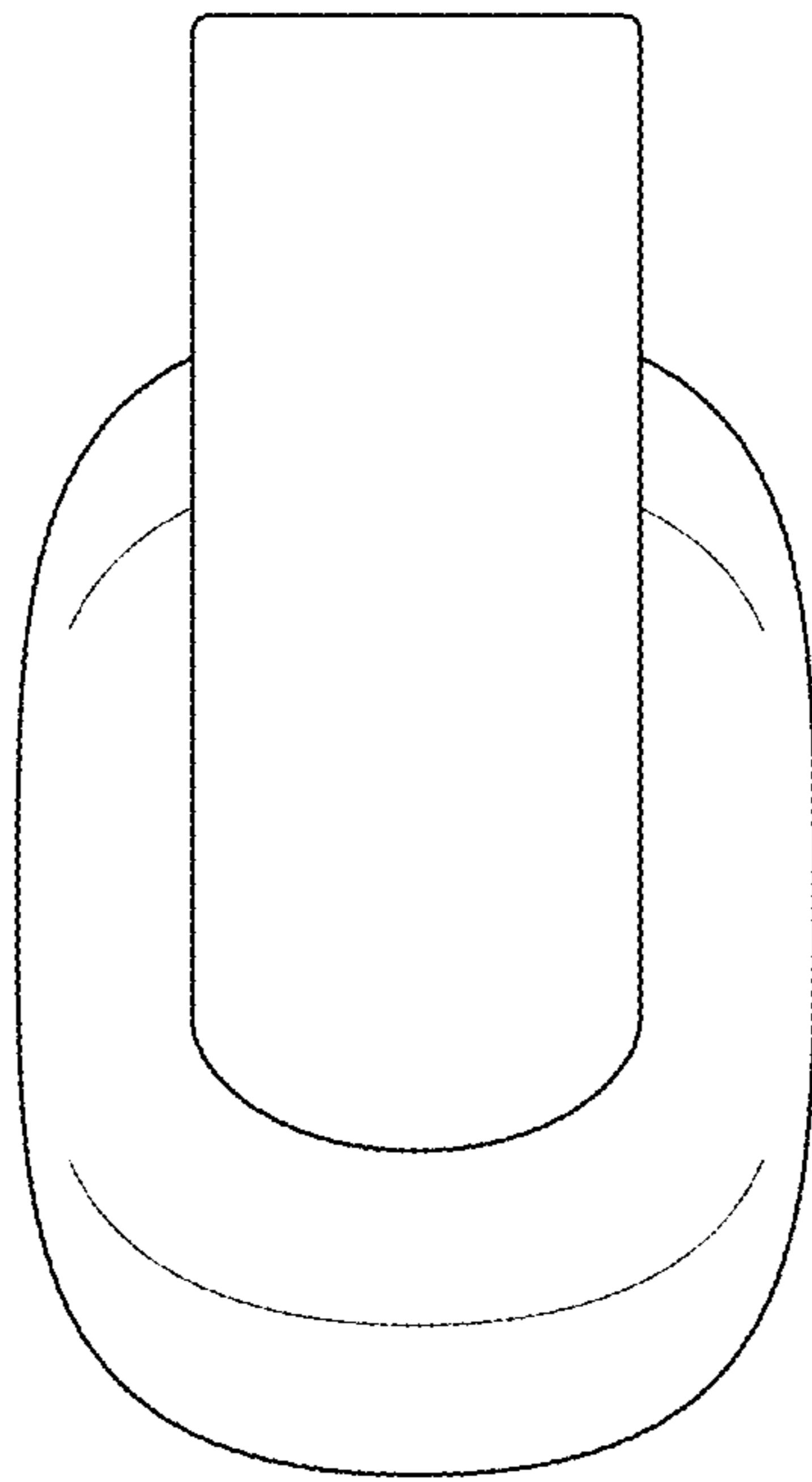




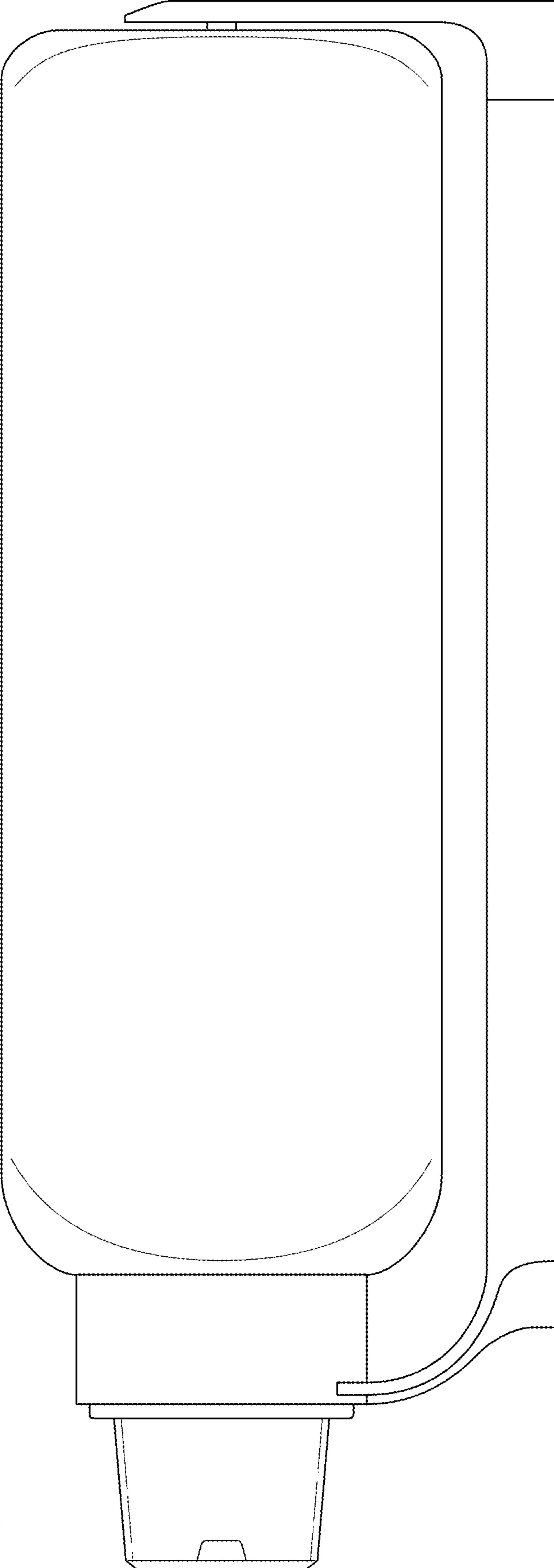
2.1



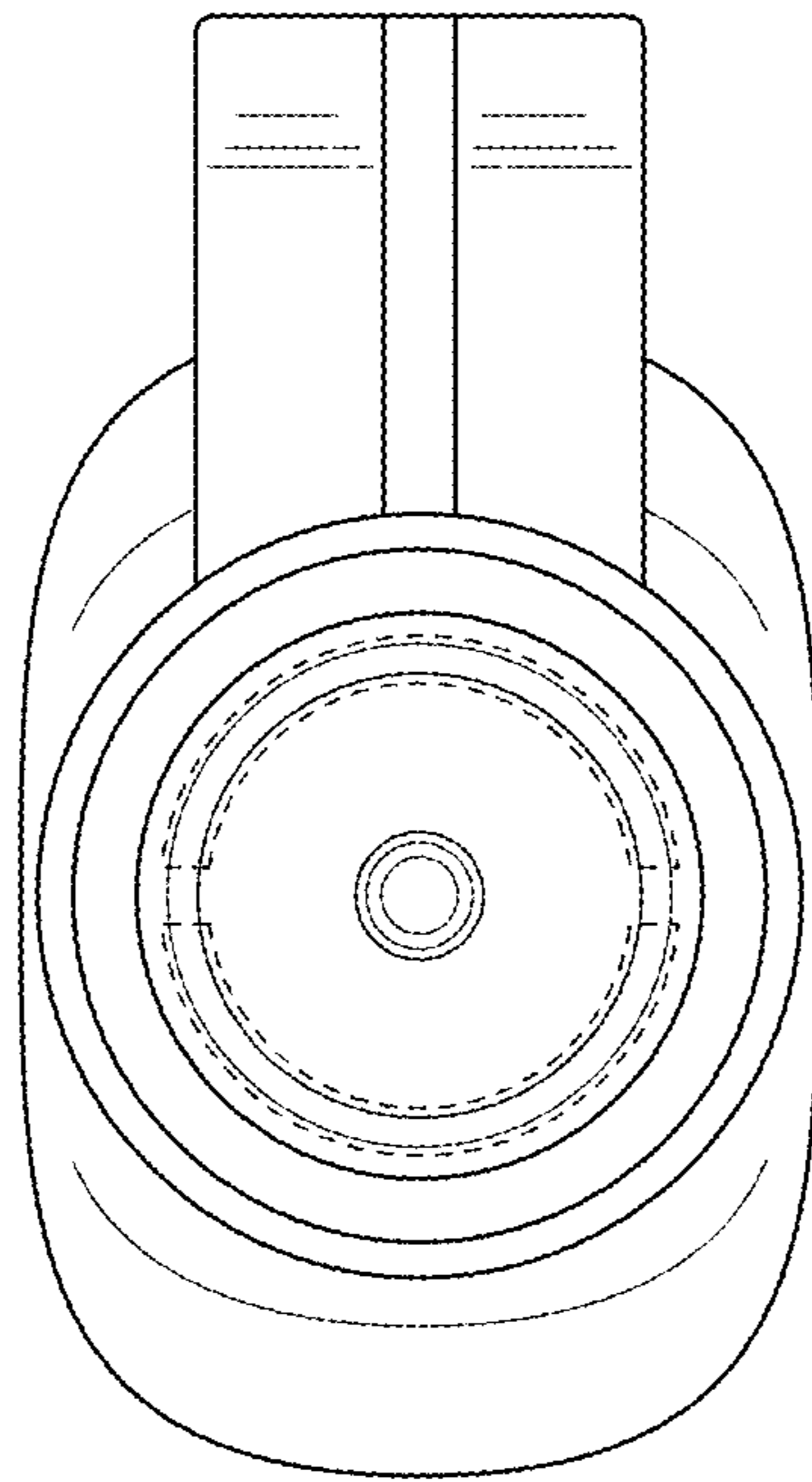
2.2



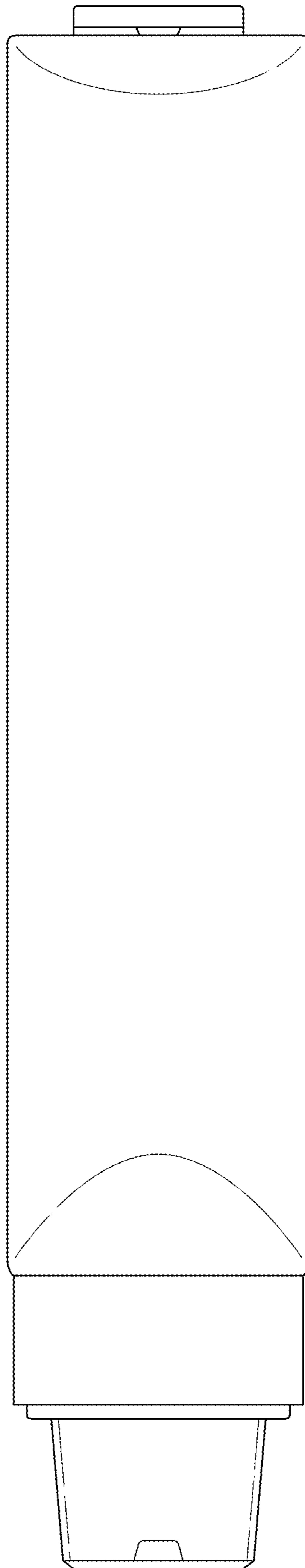
**2.3**



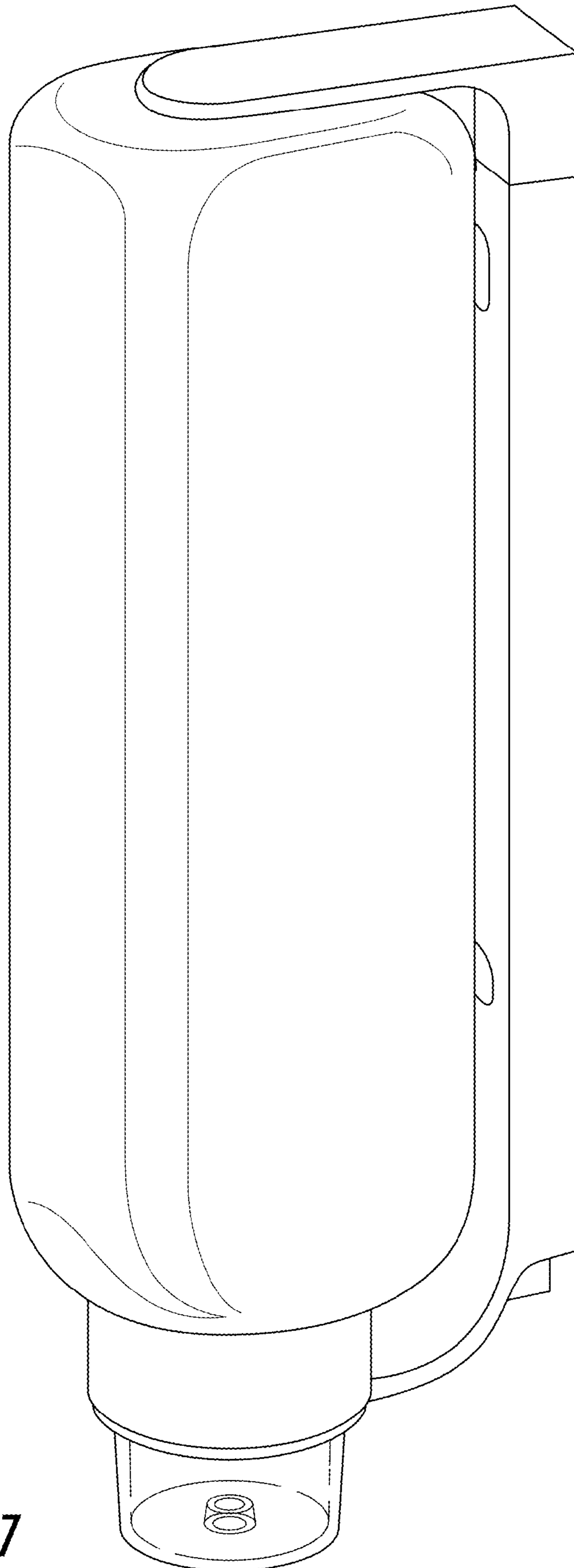
2.4



2.5



2.6



2.7