



US00D915784S

(12) **United States Design Patent**  
**Chen**

(10) **Patent No.:** **US D915,784 S**

(45) **Date of Patent:** **\*\* Apr. 13, 2021**

(54) **CHAIR**

B60R 22/688; B60R 22/803; B60R 22/986; B60R 22/914; B60R 22/995

See application file for complete search history.

(71) Applicant: **Anji Liansheng Furniture Co., Ltd.**,  
Dipu Town (CN)

(56) **References Cited**

(72) Inventor: **Hongli Chen**, Dipu Town (CN)

U.S. PATENT DOCUMENTS

(73) Assignee: **Anji Liansheng Furniture Co., Ltd.**,  
Dipu Town (CN)

D192,029 S \* 1/1962 Avedon ..... D6/375  
3,123,399 A \* 3/1964 Wilson ..... A47C 3/04  
297/239  
3,201,172 A \* 8/1965 Bliss ..... A47C 3/12  
297/448.1  
3,351,378 A \* 11/1967 Bliss ..... A47C 1/124  
297/239  
3,393,941 A \* 7/1968 Grosfillex ..... A47C 7/02  
297/440.22  
3,669,497 A \* 6/1972 Massonnet ..... A47C 5/12  
297/448.1

(\*\*) Term: **15 Years**

(21) Appl. No.: **29/698,617**

(22) Filed: **Jul. 18, 2019**

(Continued)

(30) **Foreign Application Priority Data**

FOREIGN PATENT DOCUMENTS

Mar. 11, 2019 (CN) ..... 201930097506.2

(51) **LOC (13) Cl.** ..... **06-01**

CN 304896733 S 11/2018  
CN 305013040 S 1/2019

(52) **U.S. Cl.**

(Continued)

USPC ..... **D6/380**

*Primary Examiner* — Kevin K Rudzinski

(58) **Field of Classification Search**

*Assistant Examiner* — Paul D Bohannon

USPC ..... D6/333, 334, 341, 348, 349, 350, 352,  
D6/353, 360, 364, 369, 370, 371, 373,  
D6/374, 375, 376, 377, 379, 380, 390,  
D6/677, 692, 700, 708, 708.16, 716, 363;  
D16/237; D21/412, 419, 521

(74) *Attorney, Agent, or Firm* — NK Patent Law

CPC ..... A47C 1/124; A47C 3/34; A47C 4/028;  
A47C 4/02; A47C 5/12; A47C 5/125;  
A47C 7/506; A47C 9/007; A47C 13/005;  
A47C 13/023; A47C 31/113; A47C 3/00;  
A47C 3/04; B60R 2/0284; B60R 2/062;  
B60R 22/22; B60R 22/001; B60R 22/24;  
B60R 22/28; B60R 22/58; B60R 22/64;  
B60R 22/68; B60R 22/80; B60R 22/99;  
B60R 22/245; B60R 22/643; B60R  
22/646; B60R 22/665; B60R 22/686;

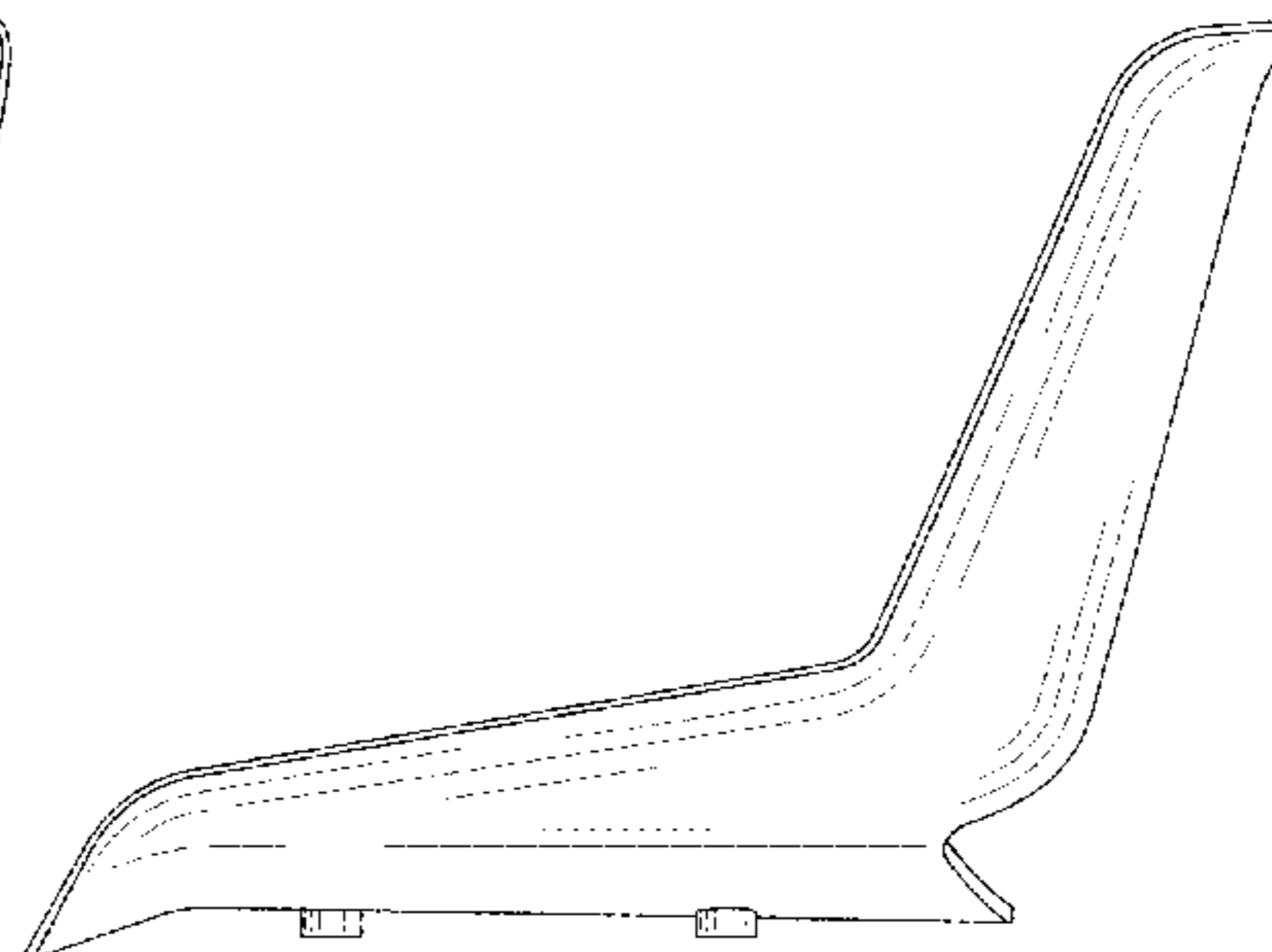
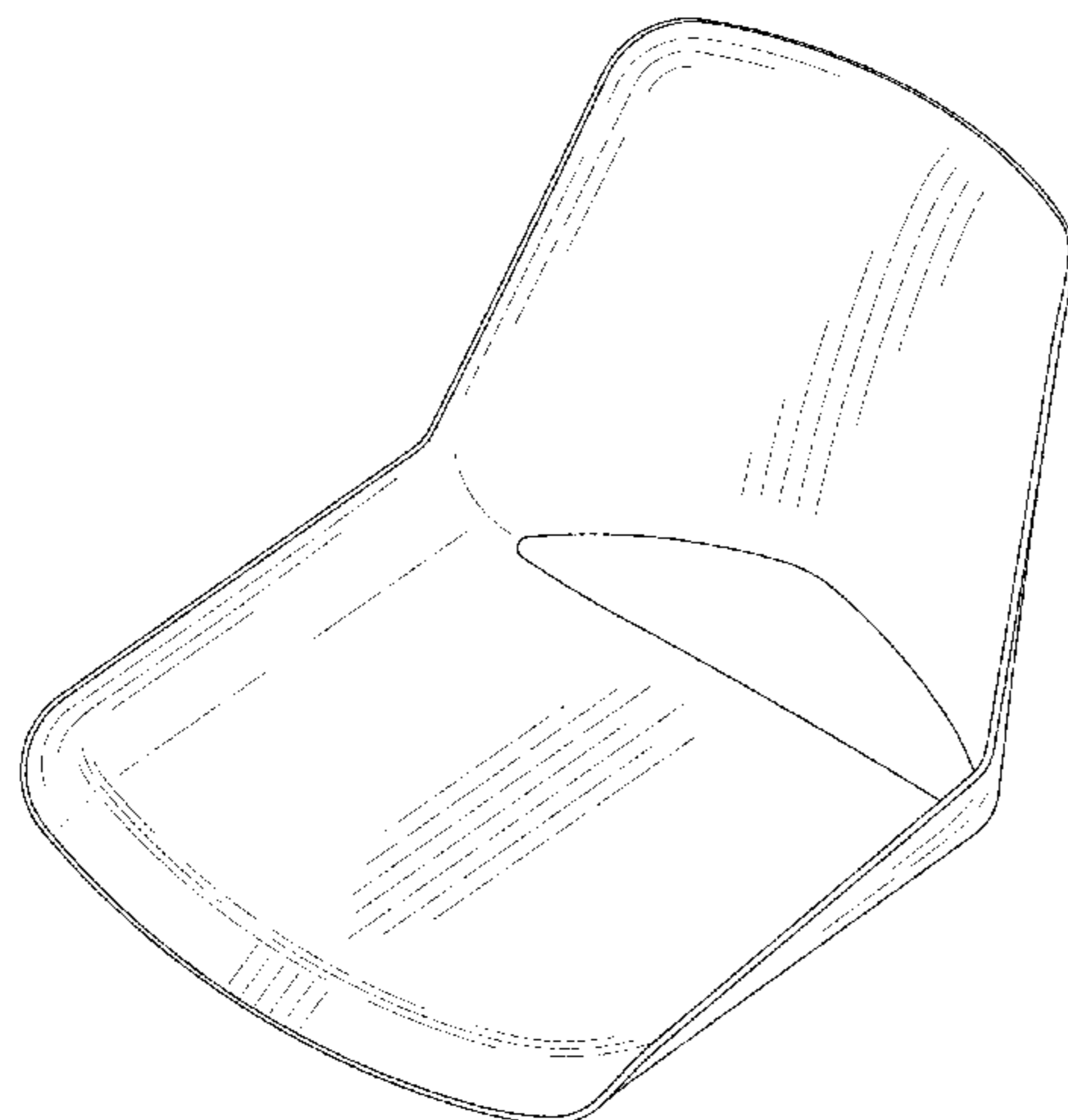
(57) **CLAIM**

The ornamental design for a chair, as shown and described.

**DESCRIPTION**

FIG. 1 is a front facing perspective view of a chair;  
FIG. 2 is a front view thereof;  
FIG. 3 is a rear view thereof;  
FIG. 4 is a right side view thereof;  
FIG. 5 is a left side view thereof;  
FIG. 6 is a top view thereof; and,  
FIG. 7 is a bottom view thereof.

(Continued)



The broken lines shown in the drawings are for the purpose of illustrating portions of the article and form no part of the claimed design.

**1 Claim, 7 Drawing Sheets**

(56) **References Cited**

U.S. PATENT DOCUMENTS

3,669,499	A *	6/1972	Semplonius .....	A47C 31/00 297/452.14
D564,248	S *	3/2008	Alter Molina .....	D6/373
D600,464	S *	9/2009	Olano Jauregui .....	D6/373
D764,849	S *	8/2016	Piretti .....	D6/716
D816,359	S	5/2018	Bendtzen	
D844,357	S *	4/2019	Buffon .....	D6/716
D845,691	S *	4/2019	Weller .....	D6/716
2012/0005928	A1 *	1/2012	Ella .....	A47C 31/113 40/320

FOREIGN PATENT DOCUMENTS

CN	305013092	S	1/2019
CN	305013093	S	1/2019
CN	305151118	S	5/2019
CN	305151119	S	5/2019
CN	305151120	S	5/2019

\* cited by examiner

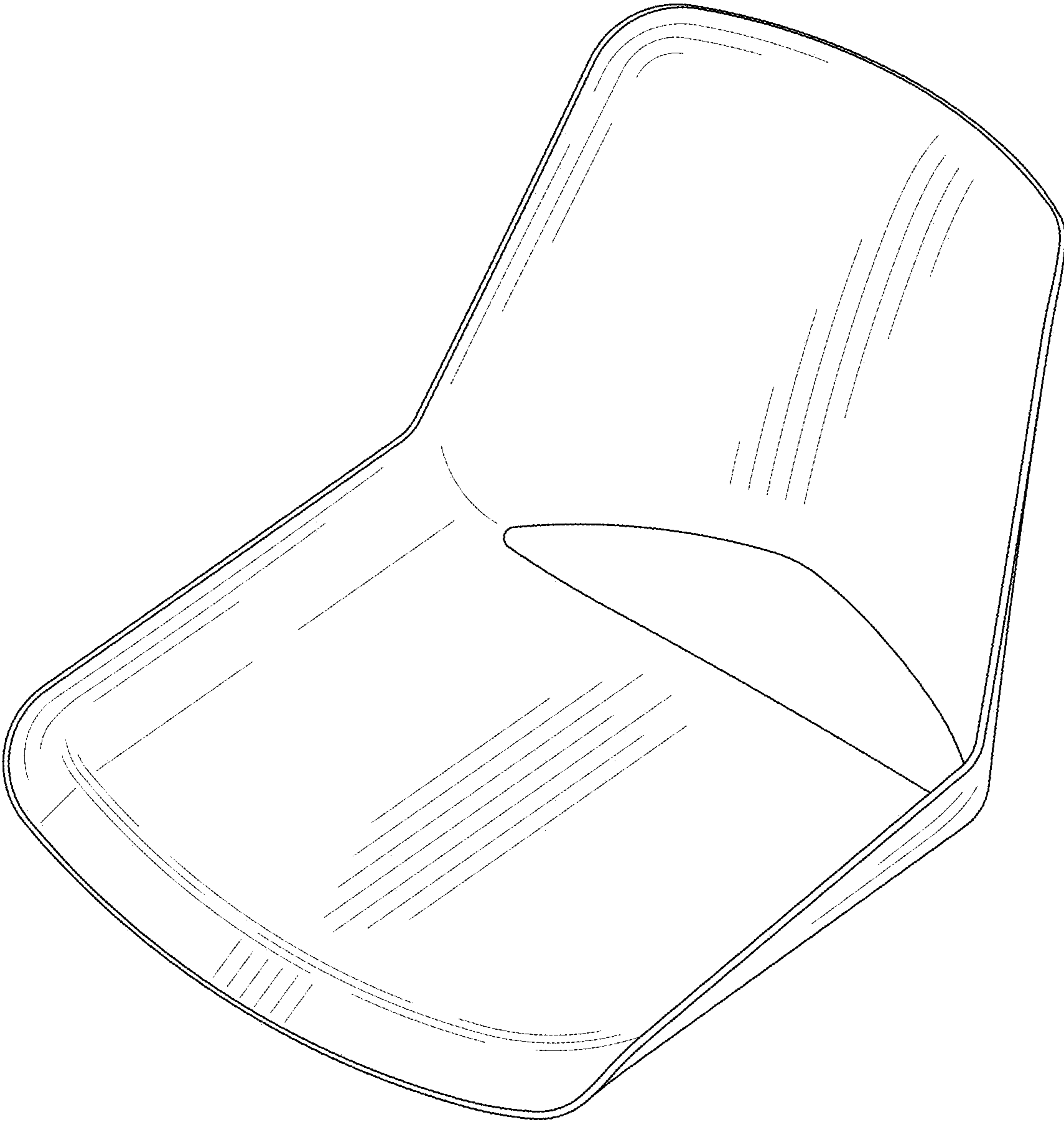


FIG. 1

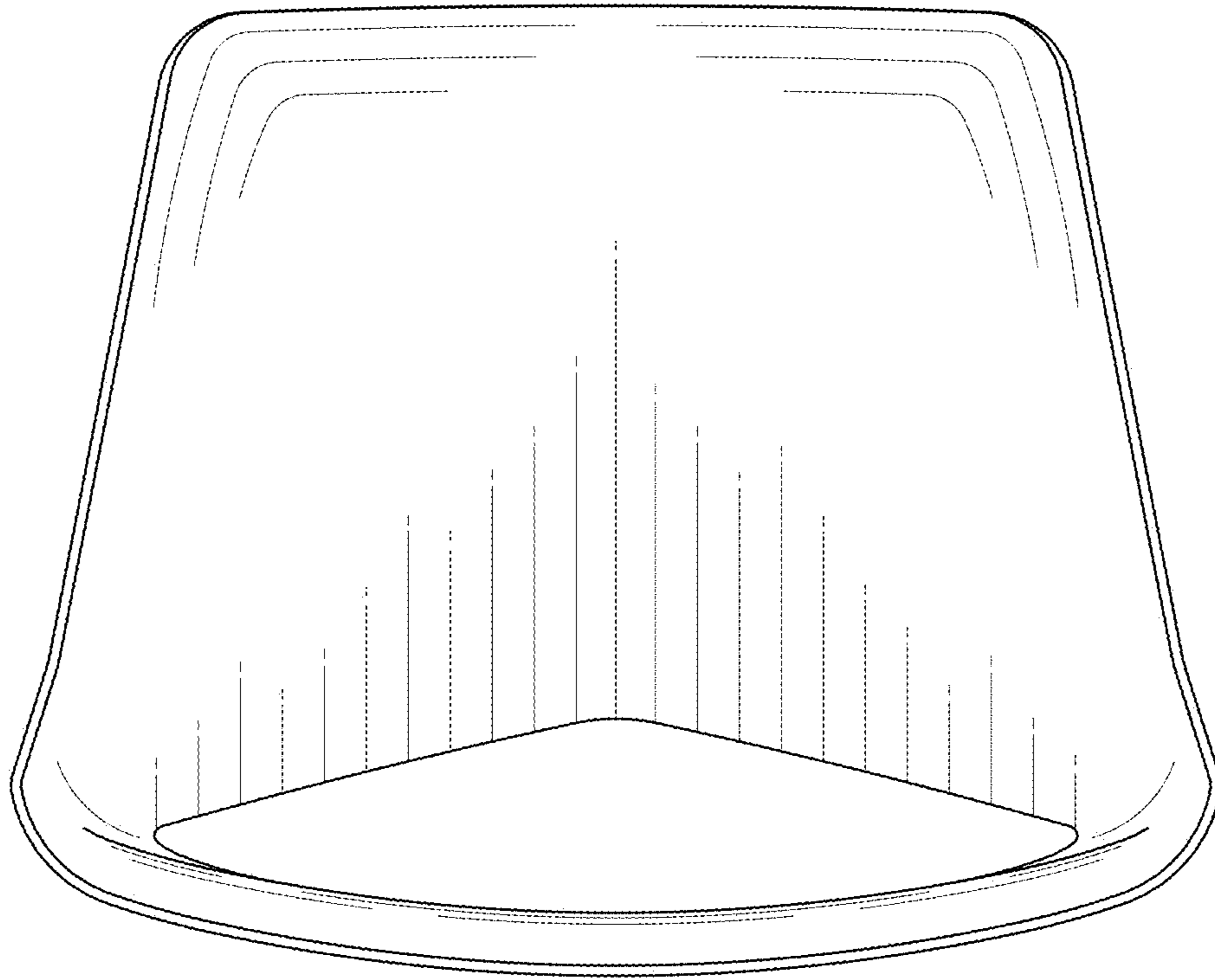


FIG. 2

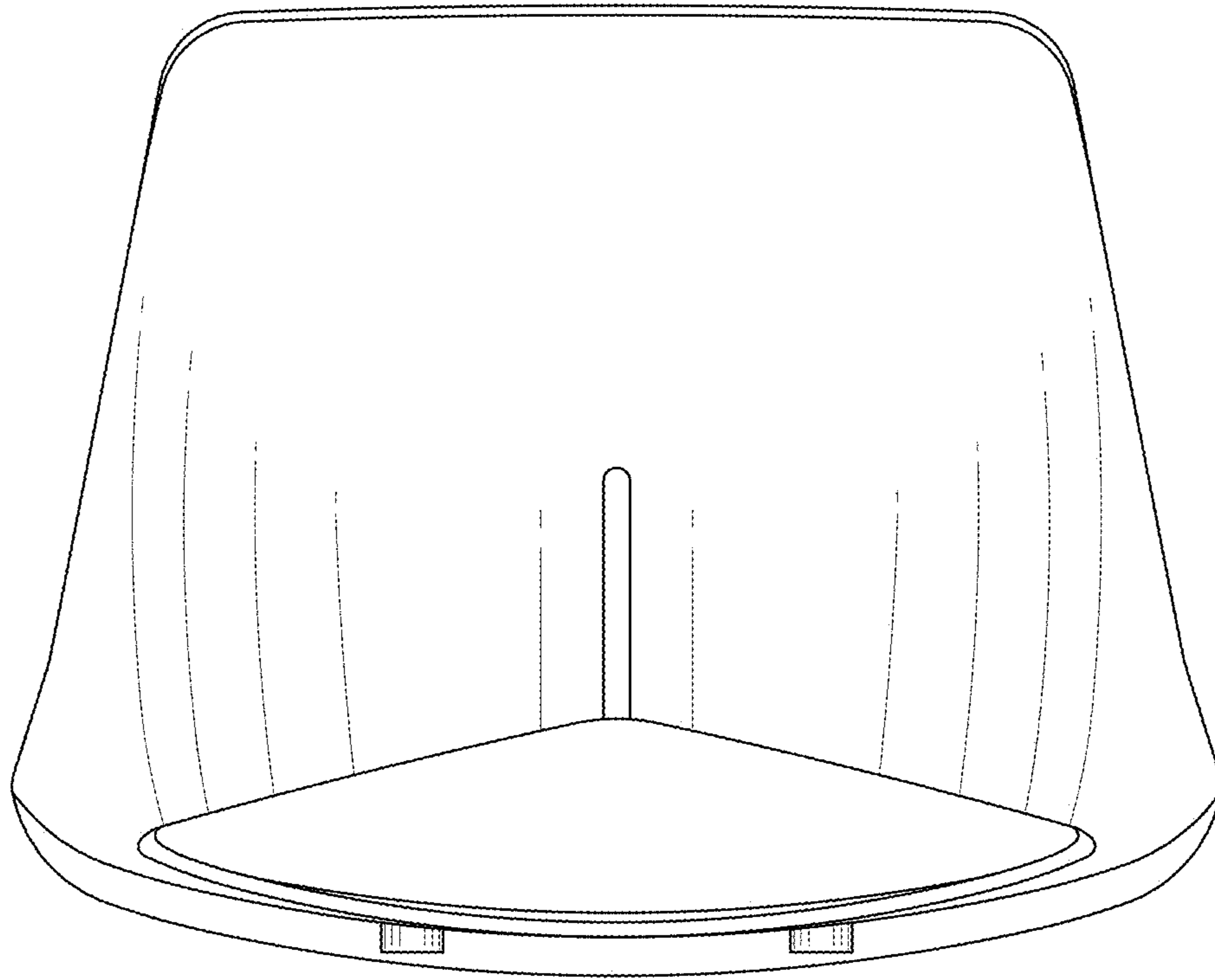


FIG. 3

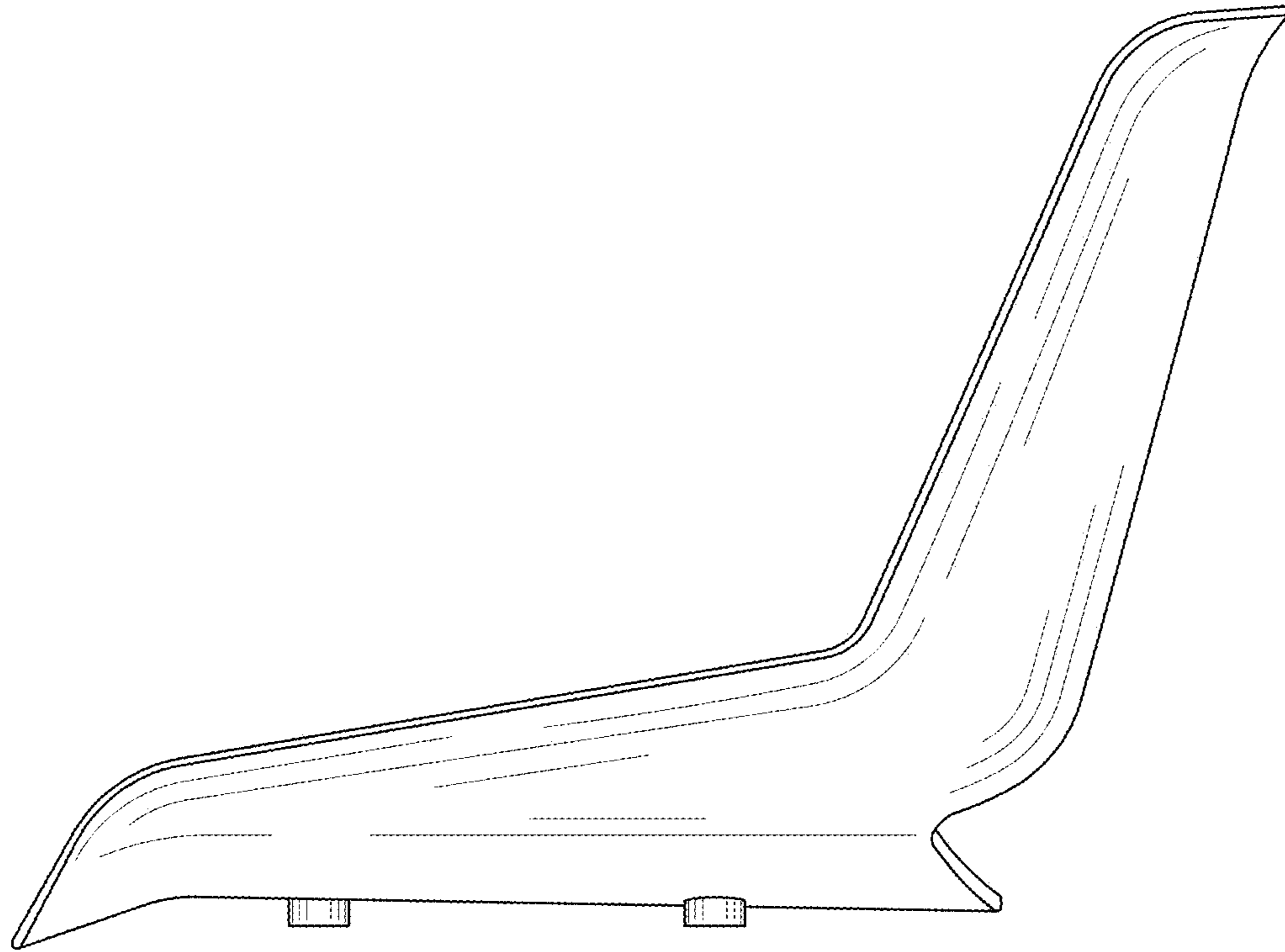


FIG. 4

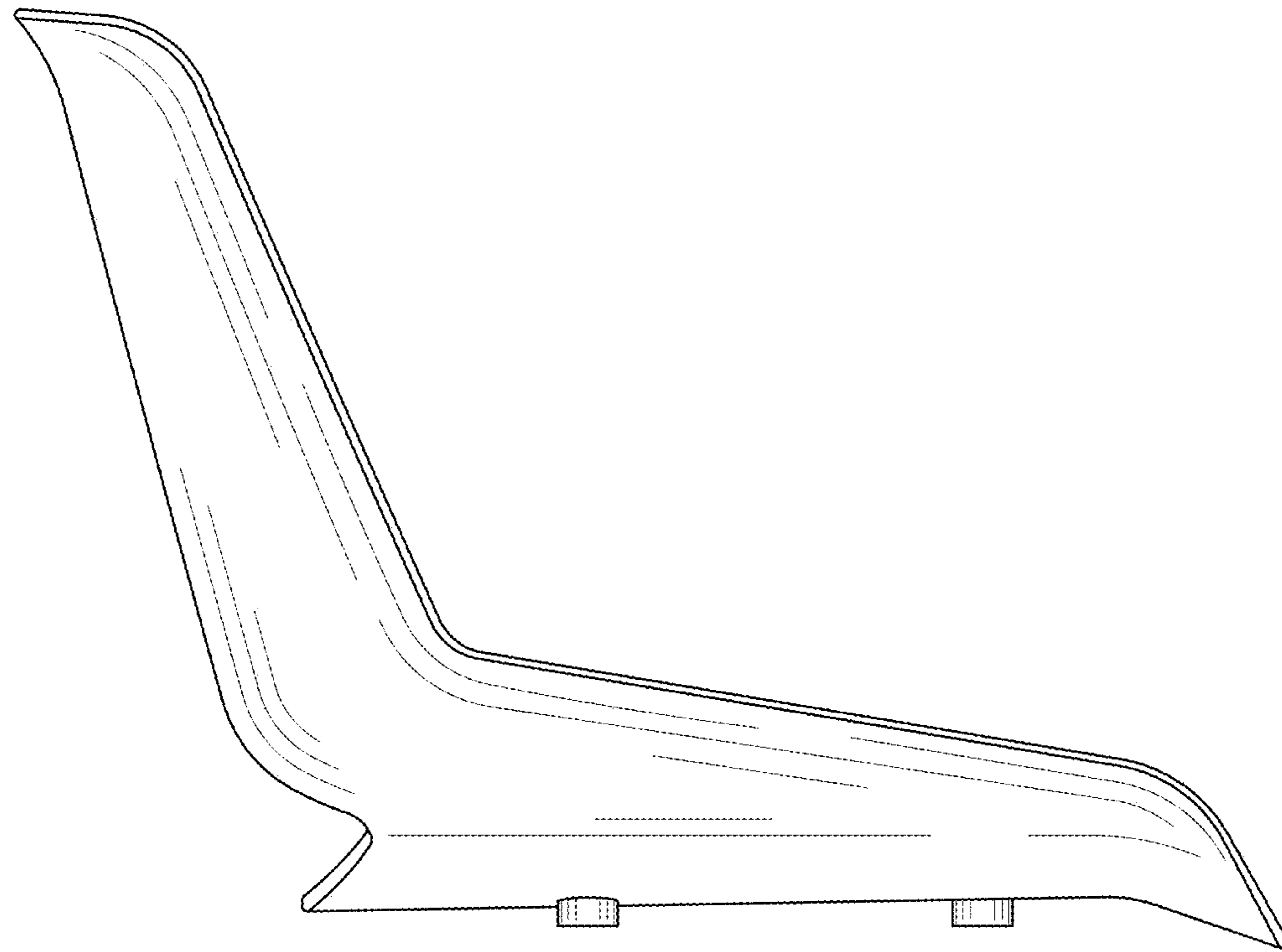


FIG. 5

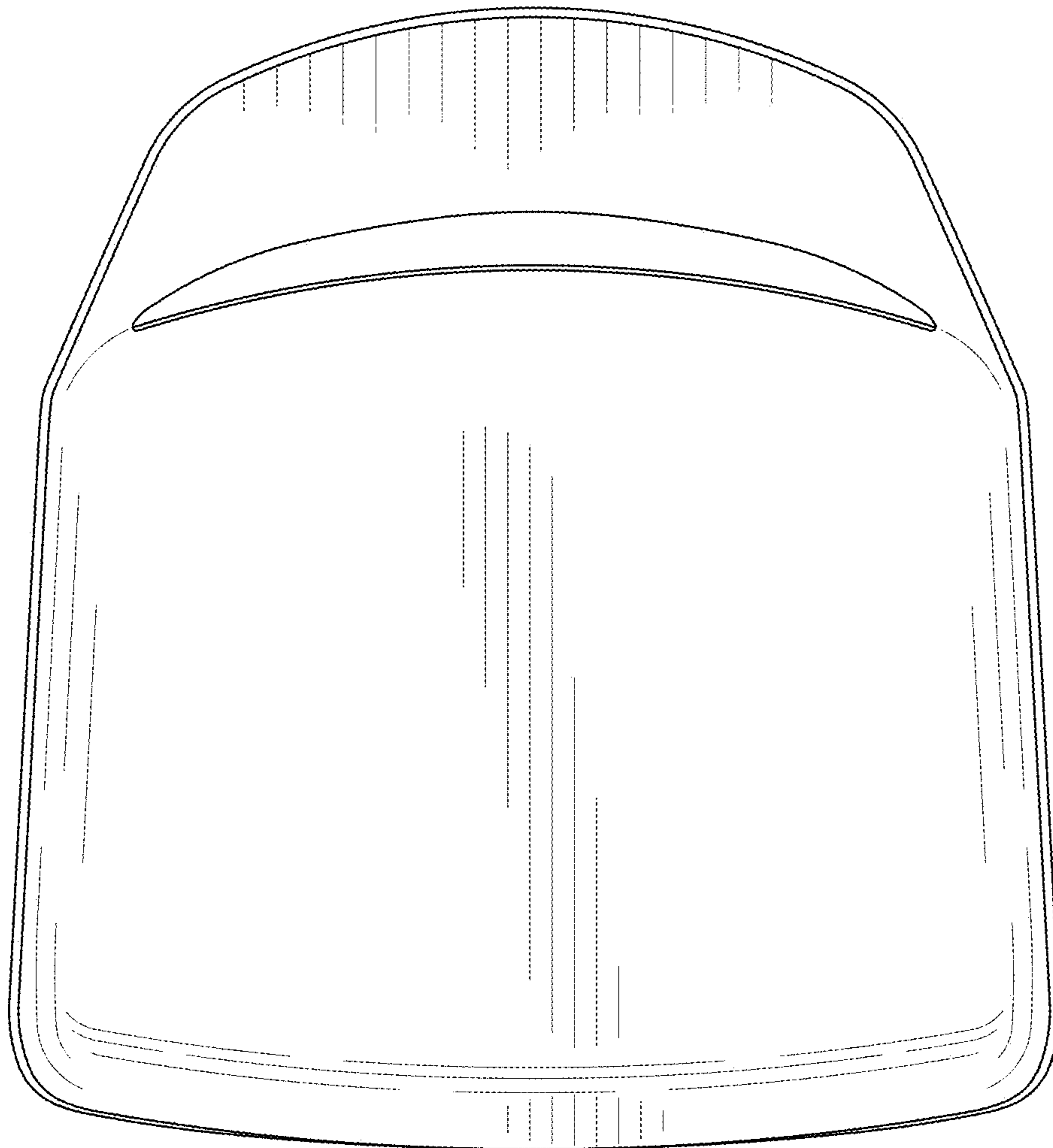


FIG. 6



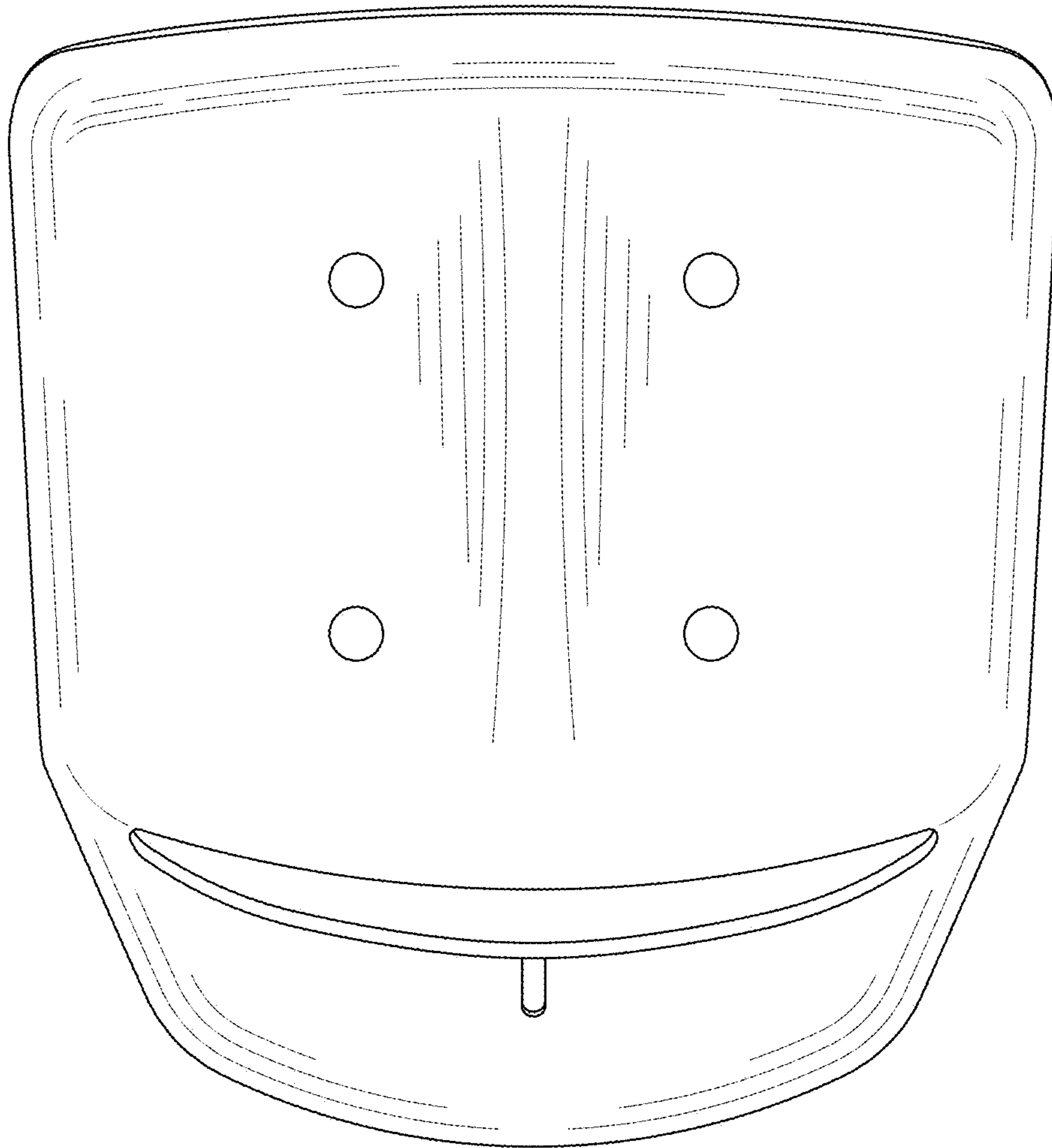


FIG. 7