



US00D915783S

(12) **United States Design Patent**  
**Tong**

(10) **Patent No.:** **US D915,783 S**

(45) **Date of Patent:** **\*\* Apr. 13, 2021**

(54) **CHAIR**

(71) Applicant: **ZHEJIANG YUYUE FURNITURE CO., LTD, Anji (CN)**

(72) Inventor: **Baijun Tong, Anji (CN)**

(\*\*) Term: **15 Years**

(21) Appl. No.: **29/751,682**

(22) Filed: **Sep. 23, 2020**

(51) **LOC (13) Cl.** ..... **06-01**

(52) **U.S. Cl.**  
USPC ..... **D6/366**

(58) **Field of Classification Search**  
USPC ..... D6/334, 364, 365, 366, 367, 369, 375, D6/379, 380  
CPC .... A47C 3/00; A47C 3/18; A47C 3/20; A47C 3/026; A47C 1/00; A47C 1/02; A47C 1/022; A47C 1/037; A47C 7/24; A47C 7/36; A47C 7/46

See application file for complete search history.

(56) **References Cited**

**U.S. PATENT DOCUMENTS**

D597,329 S	*	8/2009	Tanaka	.....	D6/366
D597,330 S	*	8/2009	Neil	.....	D6/366
D609,021 S	*	2/2010	Ooki	.....	D6/366
D656,329 S		3/2012	Nakamura et al.		
D666,841 S		9/2012	Bront et al.		
D751,835 S		3/2016	Izawa		
D773,199 S	*	12/2016	Neil	.....	D6/366
D795,602 S	*	8/2017	Neil	.....	D6/366

D799,842 S		10/2017	Lee		
D800,471 S	*	10/2017	Barber	.....	D6/366
D800,472 S	*	10/2017	Meda	.....	D6/366
D825,971 S	*	8/2018	Scagnellato	.....	D6/716
D851,417 S	*	6/2019	Peterson	.....	D6/366
D851,952 S	*	6/2019	Peterson	.....	D6/366
D870,479 S	*	12/2019	Deevers	.....	D6/366
D876,139 S	*	2/2020	Peterson	.....	D6/716
D907,382 S	*	1/2021	Newson	.....	D6/366

**FOREIGN PATENT DOCUMENTS**

WO WO-2015049052 A1 \* 4/2015 ..... A47C 7/282

\* cited by examiner

*Primary Examiner* — R. Johnson

(74) *Attorney, Agent, or Firm* — Rumit Ranjit Kanakia

(57) **CLAIM**

I claim the ornamental design for a chair, as shown and described.

**DESCRIPTION**

FIG. 1 is a Front Perspective view of a chair showing my new design;

FIG. 2 is Back Perspective view thereof;

FIG. 3 is a Front view thereof;

FIG. 4 is a Back view thereof;

FIG. 5 is a Right-side view thereof;

FIG. 6 is a Left-side view thereof;

FIG. 7 is a Top view thereof; and,

FIG. 8 is a Bottom view thereof.

The broken lines are for the purpose of illustrating portions of the article that form no part of the claim.

**1 Claim, 8 Drawing Sheets**

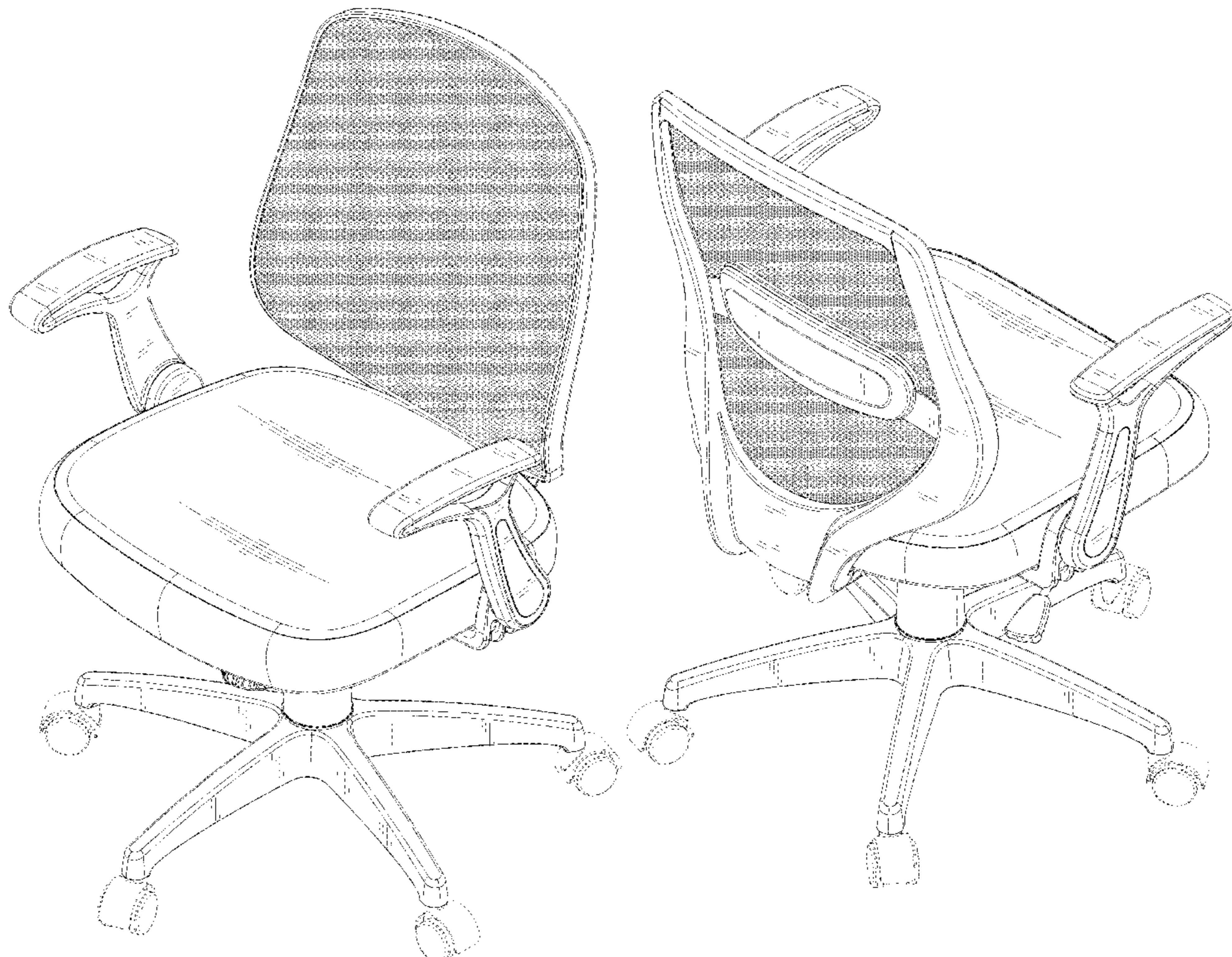






FIG. 1





FIG. 2



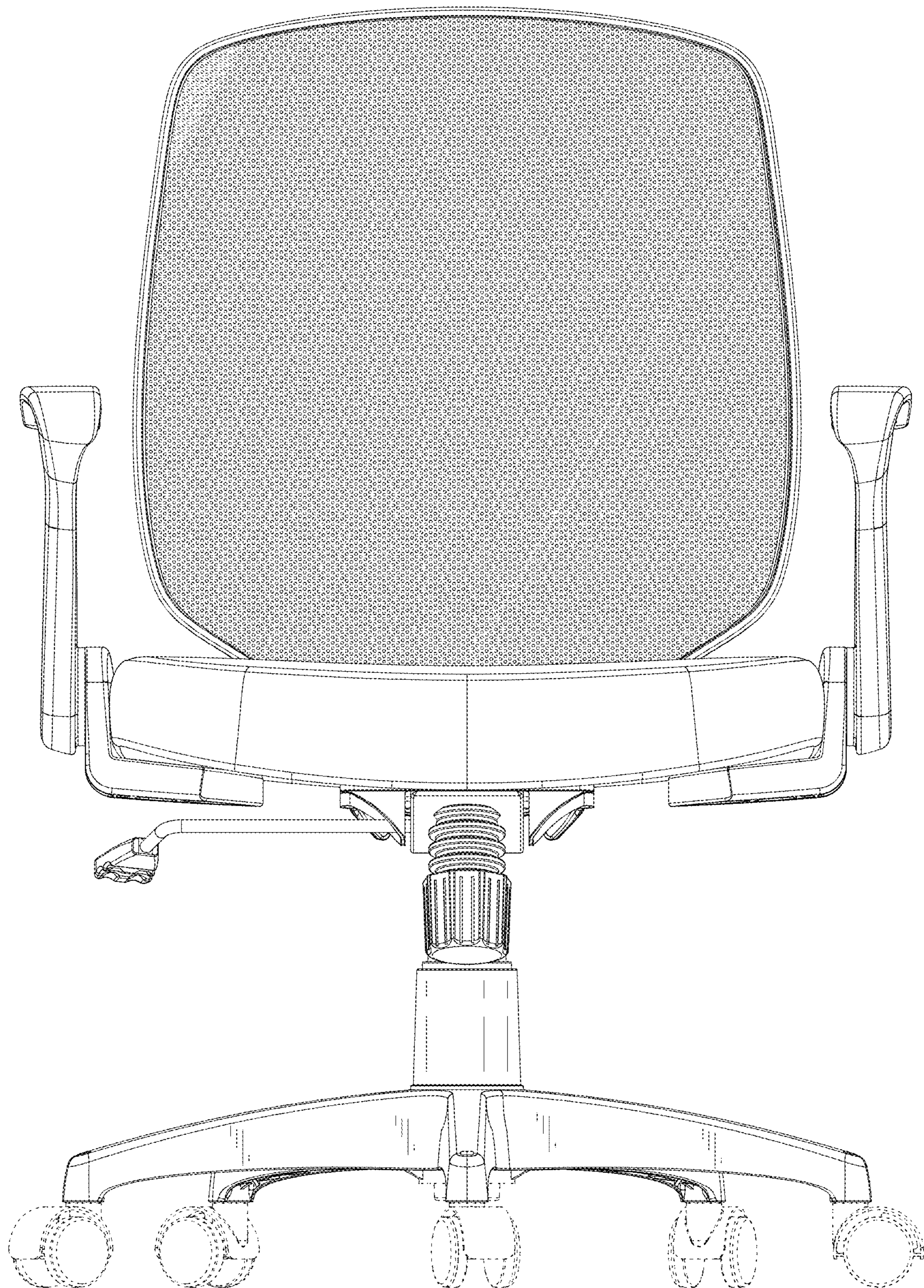


FIG. 3



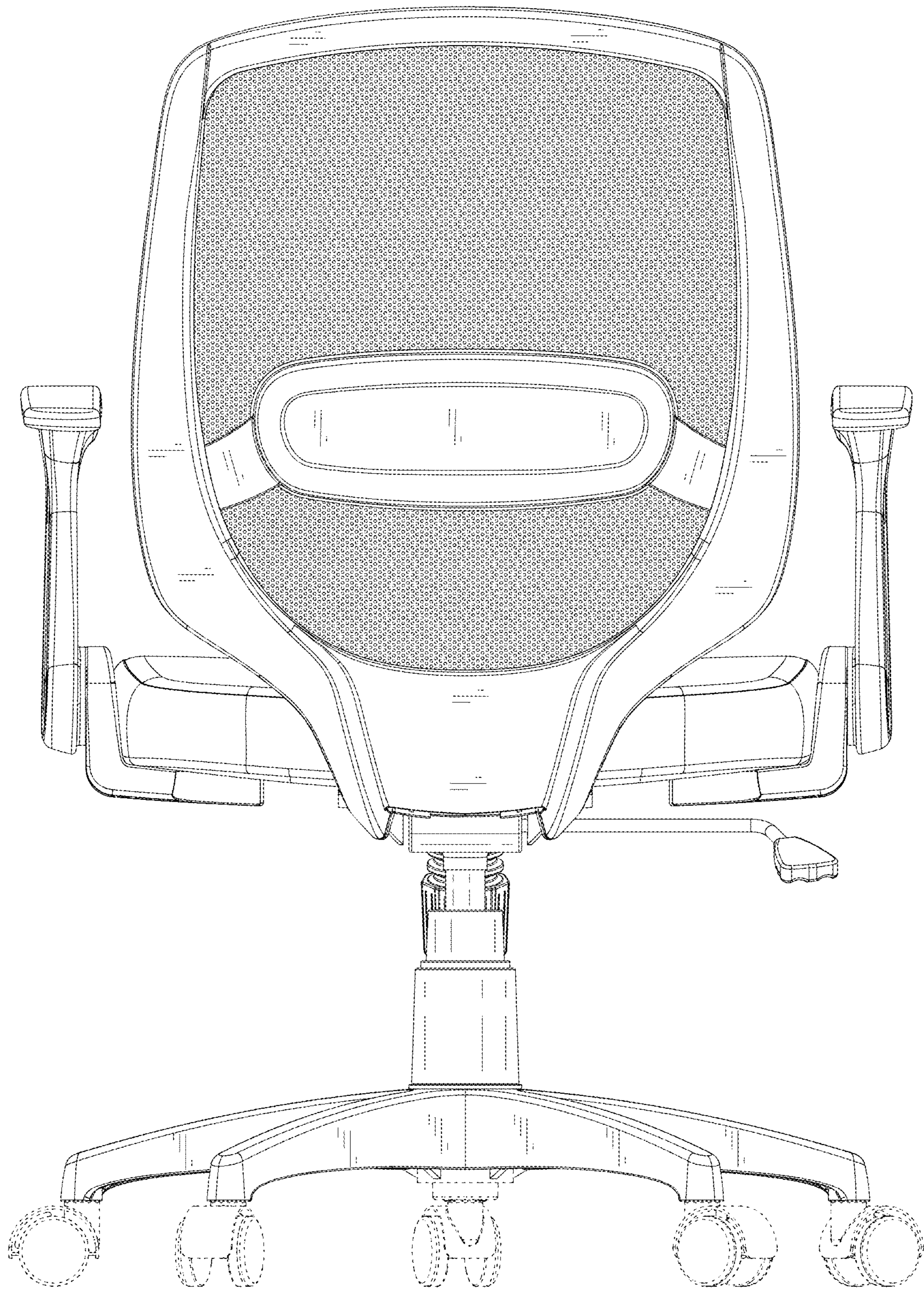


FIG. 4



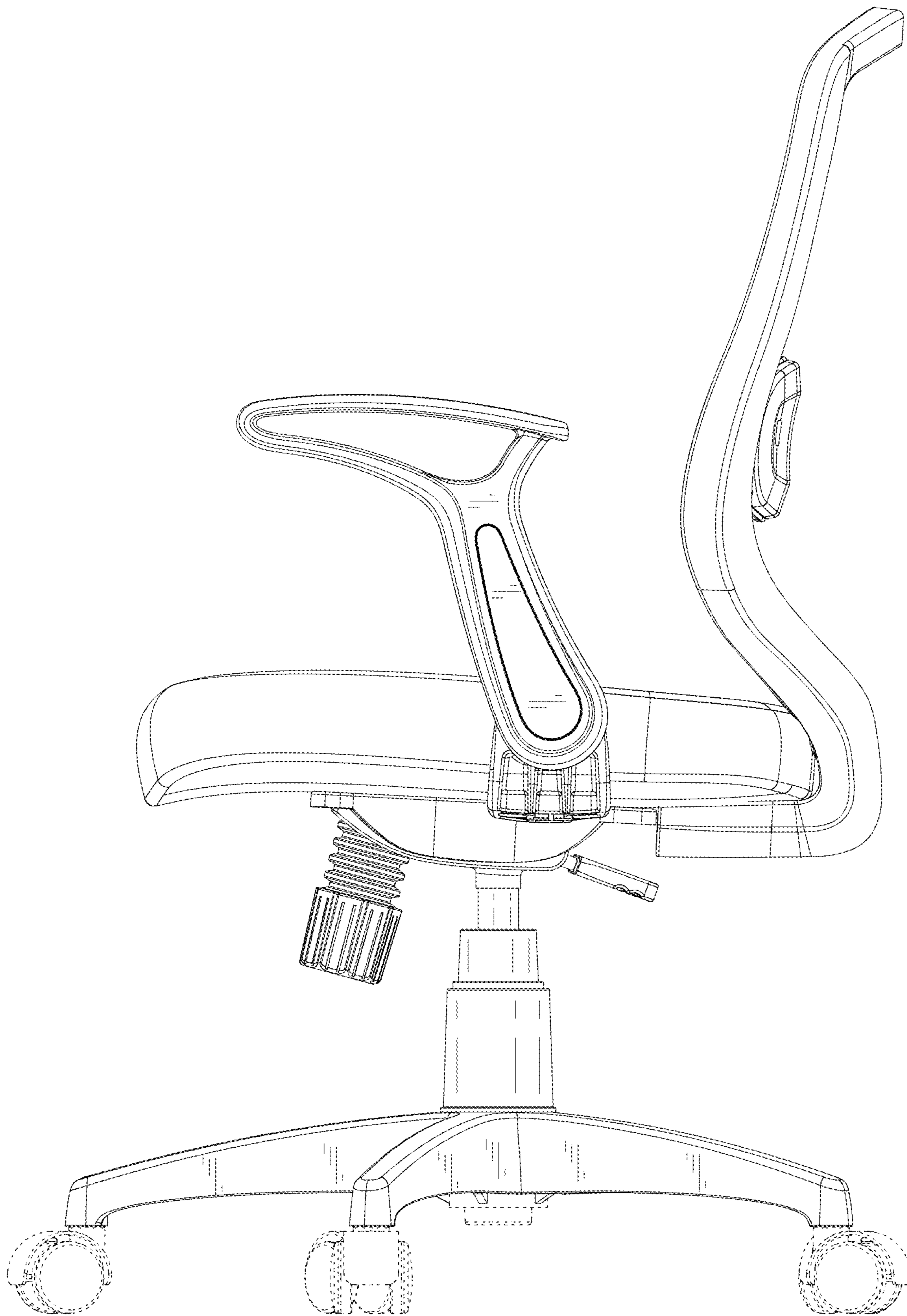


FIG. 5

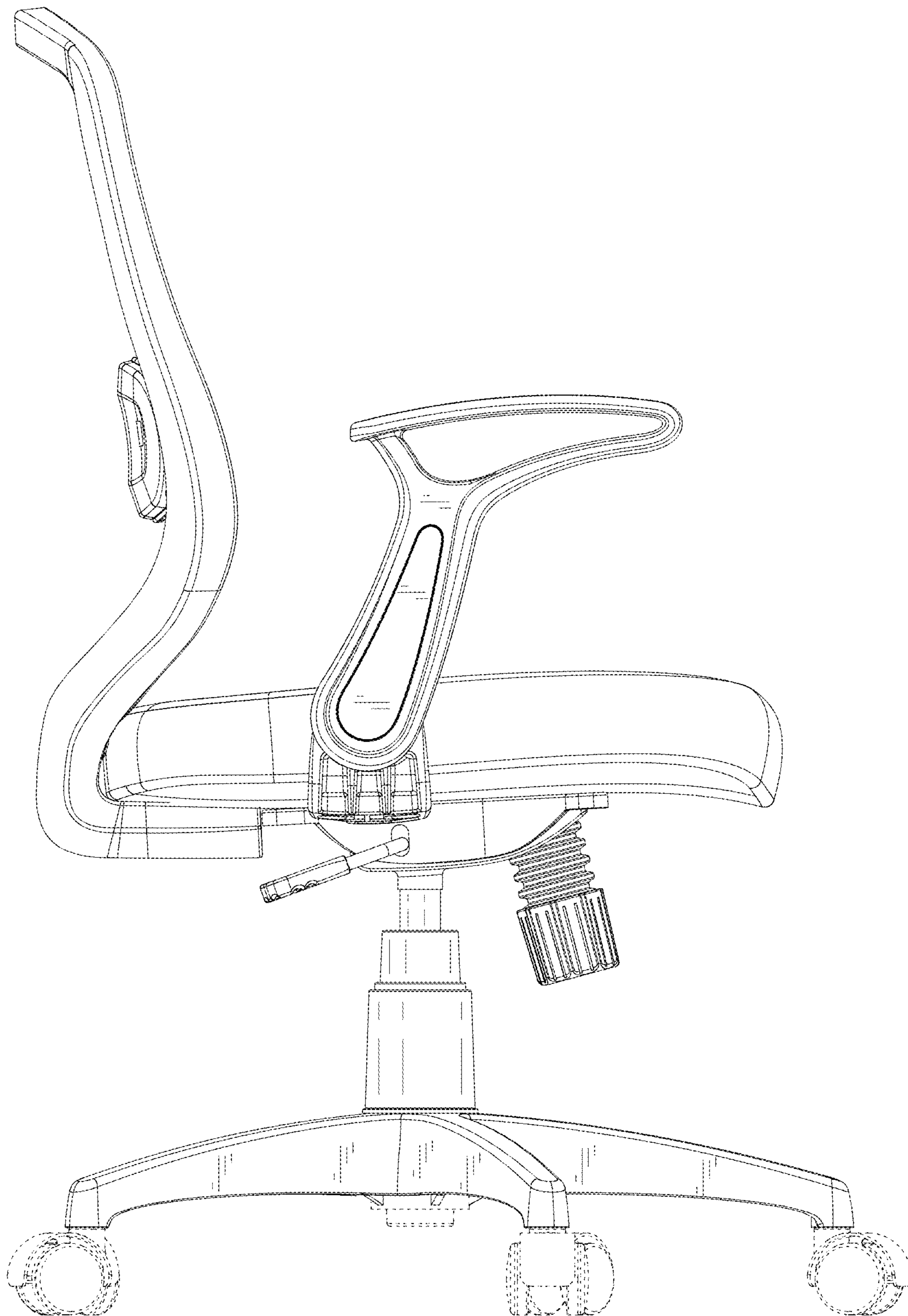


FIG. 6

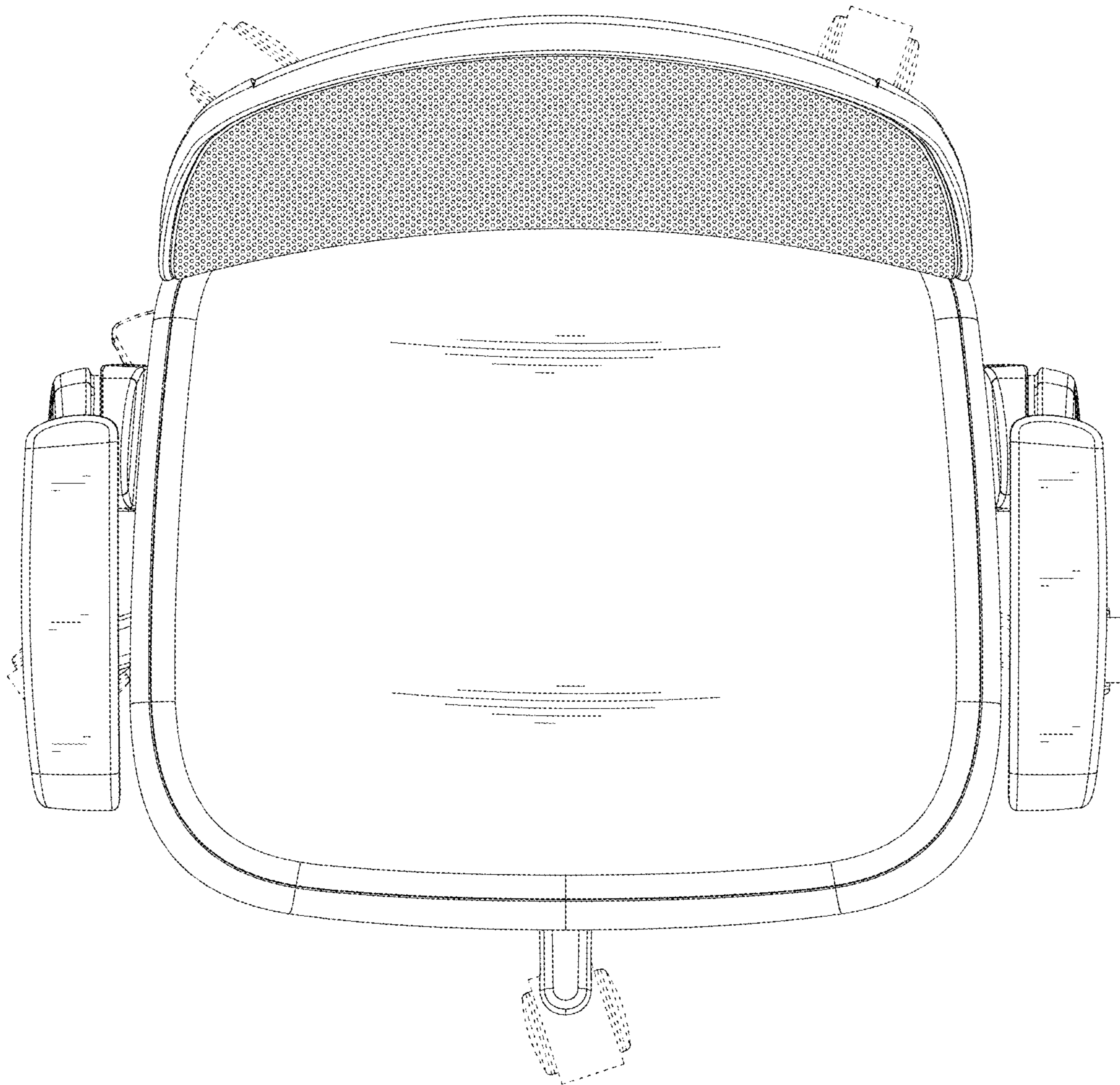


FIG. 7



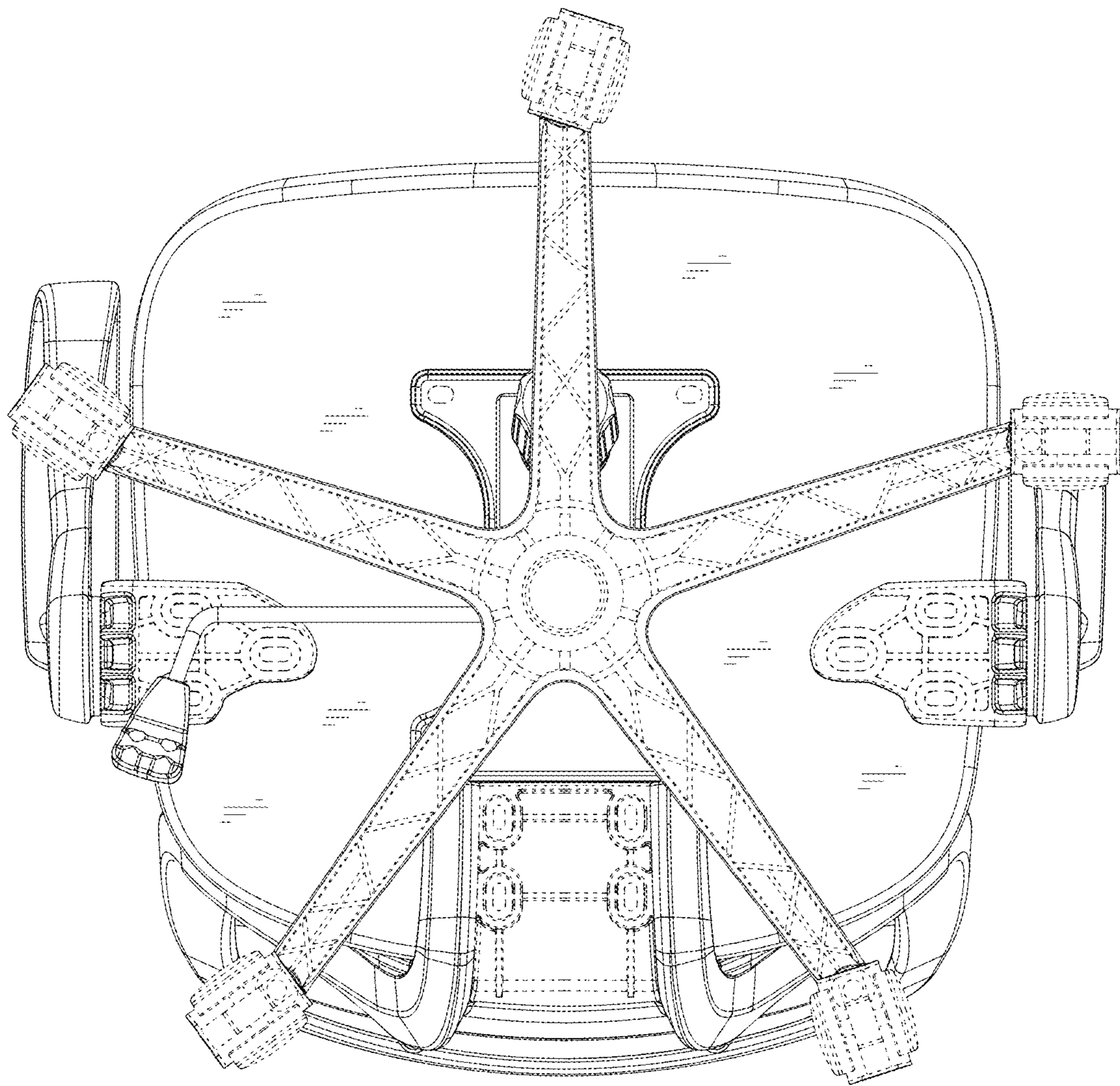


FIG. 8