



US00D915778S

(12) **United States Design Patent** (10) **Patent No.:** **US D915,778 S**  
**Martin et al.** (45) **Date of Patent:** **\*\* Apr. 13, 2021**

(54) **COMBINED BENT CORNER PANEL AND PARTITION**

D353,946 S 1/1995 Fischer et al.  
D354,818 S 1/1995 Johnson  
D385,044 S 10/1997 Johnson

(Continued)

(71) Applicant: **3FORM, LLC**, Salt Lake City, UT (US)

FOREIGN PATENT DOCUMENTS

(72) Inventors: **Guillaume Martin**, Rochetoirin (FR);  
**Danielle Hadley**, Ogden, UT (US);  
**Brandon Martin**, Salt Lake City, UT (US)

EM 006079620-0001 1/2019  
JP 1500984 S 6/2014

(Continued)

(73) Assignee: **3FORM, LLC**, Salt Lake City, UT (US)

OTHER PUBLICATIONS

Notice of Allowance for U.S. Appl. No. 29/648,727 dated Jan. 15, 2020.

(Continued)

(\*\*) Term: **15 Years**

*Primary Examiner* — Doris Clark

(21) Appl. No.: **29/648,716**

(74) *Attorney, Agent, or Firm* — Workman Nydegger

(22) Filed: **May 23, 2018**

(57) **CLAIM**

(51) **LOC (13) Cl.** ..... **06-06**

The ornamental design for a combined bent corner panel and partition, as shown and described.

(52) **U.S. Cl.**

**DESCRIPTION**

USPC ..... **D6/332**

(58) **Field of Classification Search**

USPC ..... D25/138; D6/332  
CPC ..... E04B 2/00; E04B 2/04; E04B 2/72; E04B 2/74; E04B 2/7416; E04B 2/7427; E04B 2/789; E04B 2002/725

See application file for complete search history.

FIG. 1 is a top, right, front perspective view of our new design for a combined bent corner panel and partition shown in a configuration of use;  
FIG. 2 is a top, right, front perspective view of the combined bent corner panel and partition;  
FIG. 3 is a front elevation view thereof;  
FIG. 4 is a rear elevation view thereof;  
FIG. 5 is a left side elevation view thereof;  
FIG. 6 is a right side elevation view thereof;  
FIG. 7 is a top plan view thereof; and,  
FIG. 8 is a bottom plan view thereof.

The surface lines shown indicate material that is transparent or semi-transparent.

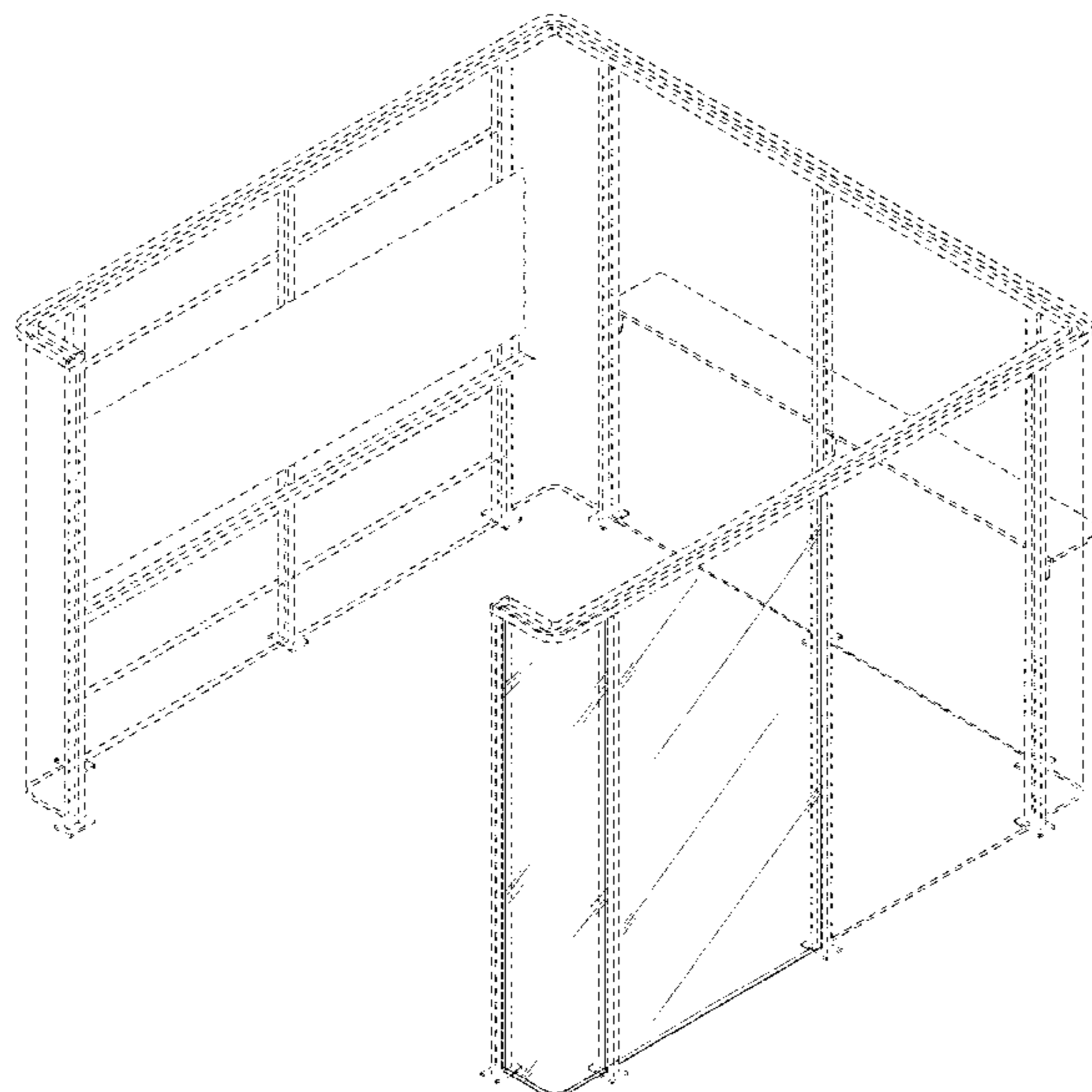
The broken line showing of elements on the combined bent corner panel and partition illustrates portions of the article and forms no part of the claimed design.

(56) **References Cited**

U.S. PATENT DOCUMENTS

2,678,705 A	5/1954	Haines et al.
3,601,031 A	8/1971	Abel et al.
D231,062 S	4/1974	Kramer
4,043,086 A	8/1977	Kaulfuss et al.
D248,437 S	7/1978	Robinson
D316,151 S	4/1991	Heidmann
5,107,637 A	4/1992	Robbins
5,145,287 A	9/1992	Hooper et al.
D349,608 S	8/1994	Savoie

**1 Claim, 4 Drawing Sheets**



(56)

References Cited

U.S. PATENT DOCUMENTS

6,141,925 A 11/2000 Halvorson et al.  
 6,493,995 B2 12/2002 McKenzie  
 D471,726 S \* 3/2003 Berg ..... D6/332  
 D530,104 S 10/2006 Saffell et al.  
 D538,060 S \* 3/2007 Golino ..... D6/643  
 7,415,806 B2 8/2008 Davidson  
 D720,160 S 12/2014 Lloyd et al.  
 8,966,830 B2 3/2015 Trenkler  
 D728,127 S 4/2015 Way  
 9,010,045 B1 4/2015 Kopish et al.  
 D740,040 S 10/2015 Bouroullec et al.  
 D740,057 S 10/2015 Bouroullec et al.  
 9,234,364 B2 1/2016 Abad et al.  
 D758,777 S 6/2016 McKenna et al.  
 D762,876 S 8/2016 Karashima  
 9,403,400 B2 8/2016 McManus et al.  
 D775,865 S 1/2017 Bouroullec et al.  
 D787,711 S 5/2017 Walter  
 D796,871 S 9/2017 Bouroullec et al.  
 9,976,301 B2 \* 5/2018 Loffler ..... E04B 2/7437  
 10,000,924 B2 \* 6/2018 Lasry ..... E04B 2/7448  
 D825,001 S 8/2018 Henkel et al.  
 D829,450 S 10/2018 Manente et al.  
 10,233,659 B1 \* 3/2019 Holdredge ..... A47B 23/043  
 10,329,759 B2 \* 6/2019 Feldpausch ..... E04B 2/7455  
 10,626,602 B2 \* 4/2020 Holbrook ..... E04B 2/7433

FOREIGN PATENT DOCUMENTS

JP 1592113 S 12/2017  
 JP 1592114 12/2017  
 JP 1592115 S 12/2017

OTHER PUBLICATIONS

Notice of Allowance for U.S. Appl. No. 29/648,725 dated Jan. 15, 2020.  
 Notice of Allowance for U.S. Appl. No. 29/648,721 dated Jan. 15, 2020.  
 3form Install Doc 200.53.SimpleSpec [https://www.3form.com/downloads/3forminstall\\_Doc\\_200.53.SimpleSpec.pdf](https://www.3form.com/downloads/3forminstall_Doc_200.53.SimpleSpec.pdf) Last Modified Oct. 11, 2018 (Year: 2018).  
 3form Install Doc 200.62.SimpleSpec [https://www.3-form.com/downloads/3forminstall\\_Doc\\_200.62.SimpleSpec.pdf](https://www.3-form.com/downloads/3forminstall_Doc_200.62.SimpleSpec.pdf) Last modified Dec. 13, 2018 (Year: 2018).  
 Architectmagazine Iltuo by 3form [https://www.architectmagazine.com/technology/products/iltuo-by-3form\\_o](https://www.architectmagazine.com/technology/products/iltuo-by-3form_o) Posted Nov. 5, 2018 (Year: 2018).  
 Hoodoo System 3form <https://www.3-form.com/system/hoodoo/> Available Oct. 13, 2018 (Year: 2018).

\* cited by examiner

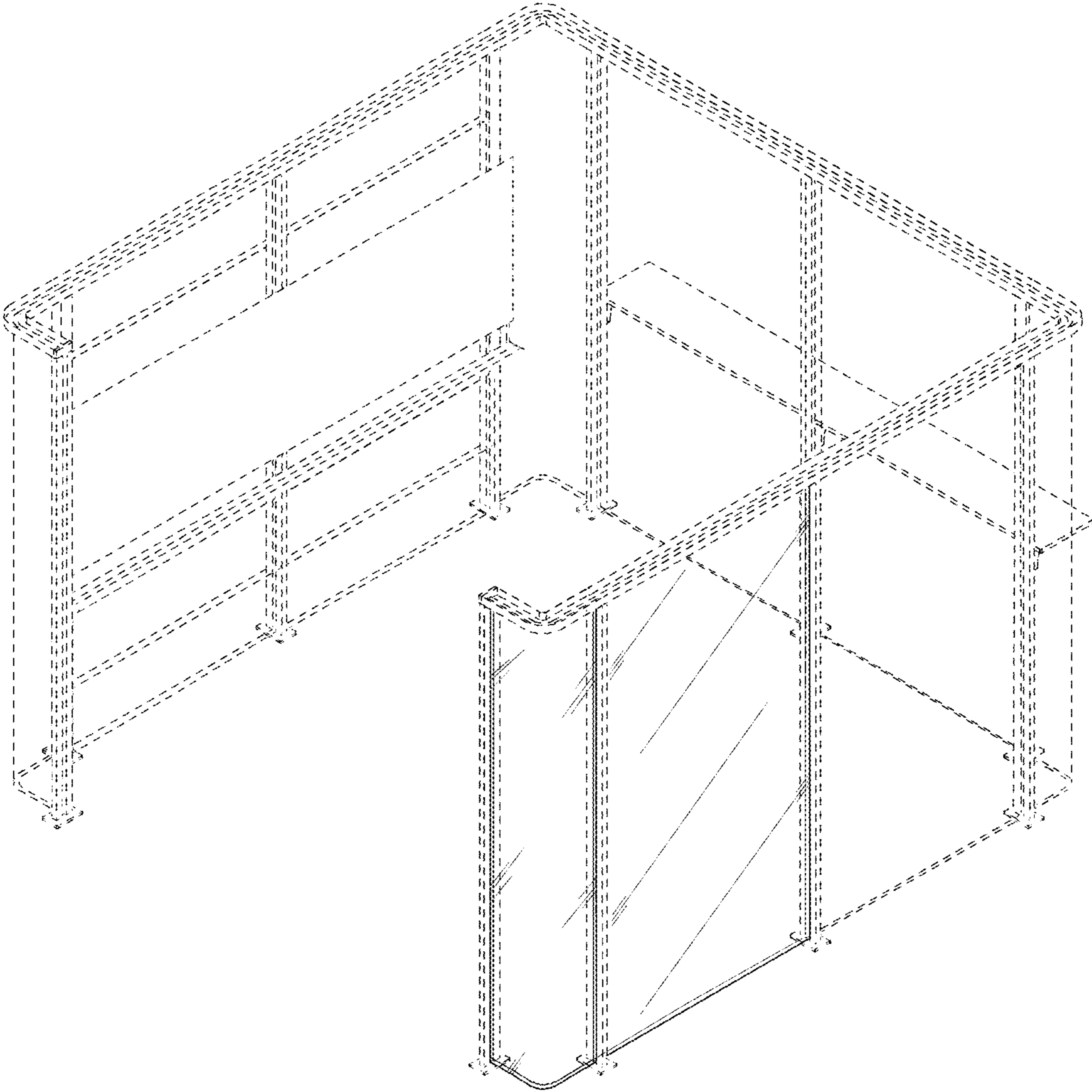


Fig. 1

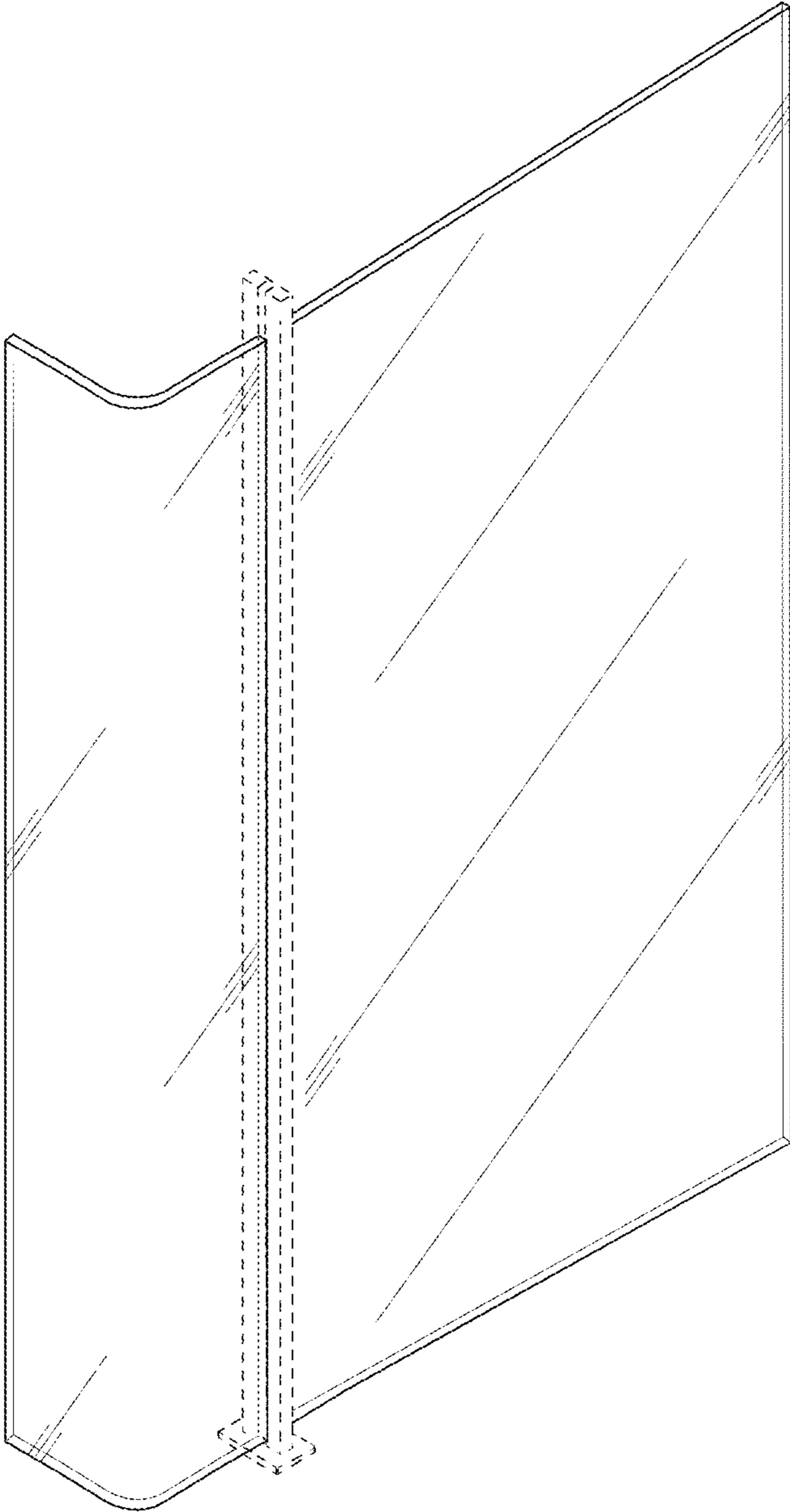


Fig. 2



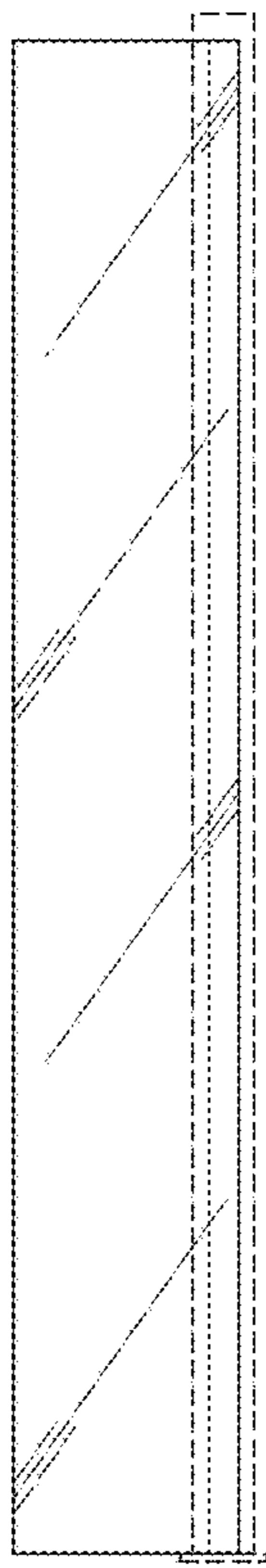


Fig. 3

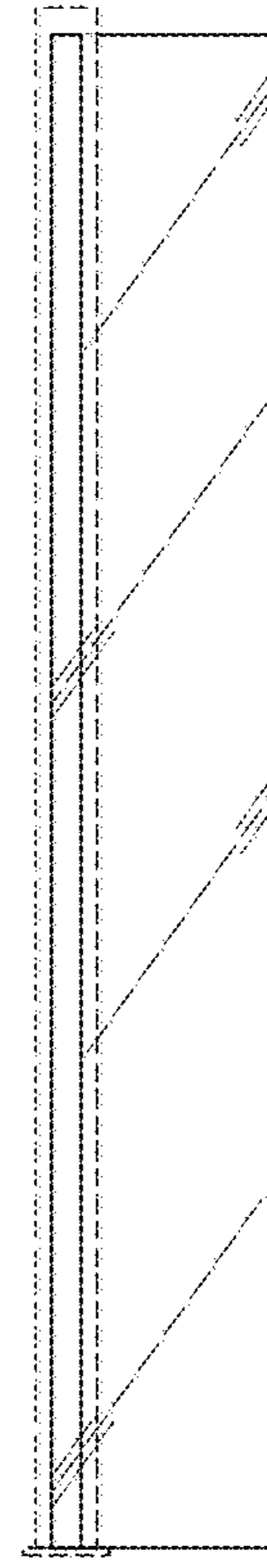


Fig. 4

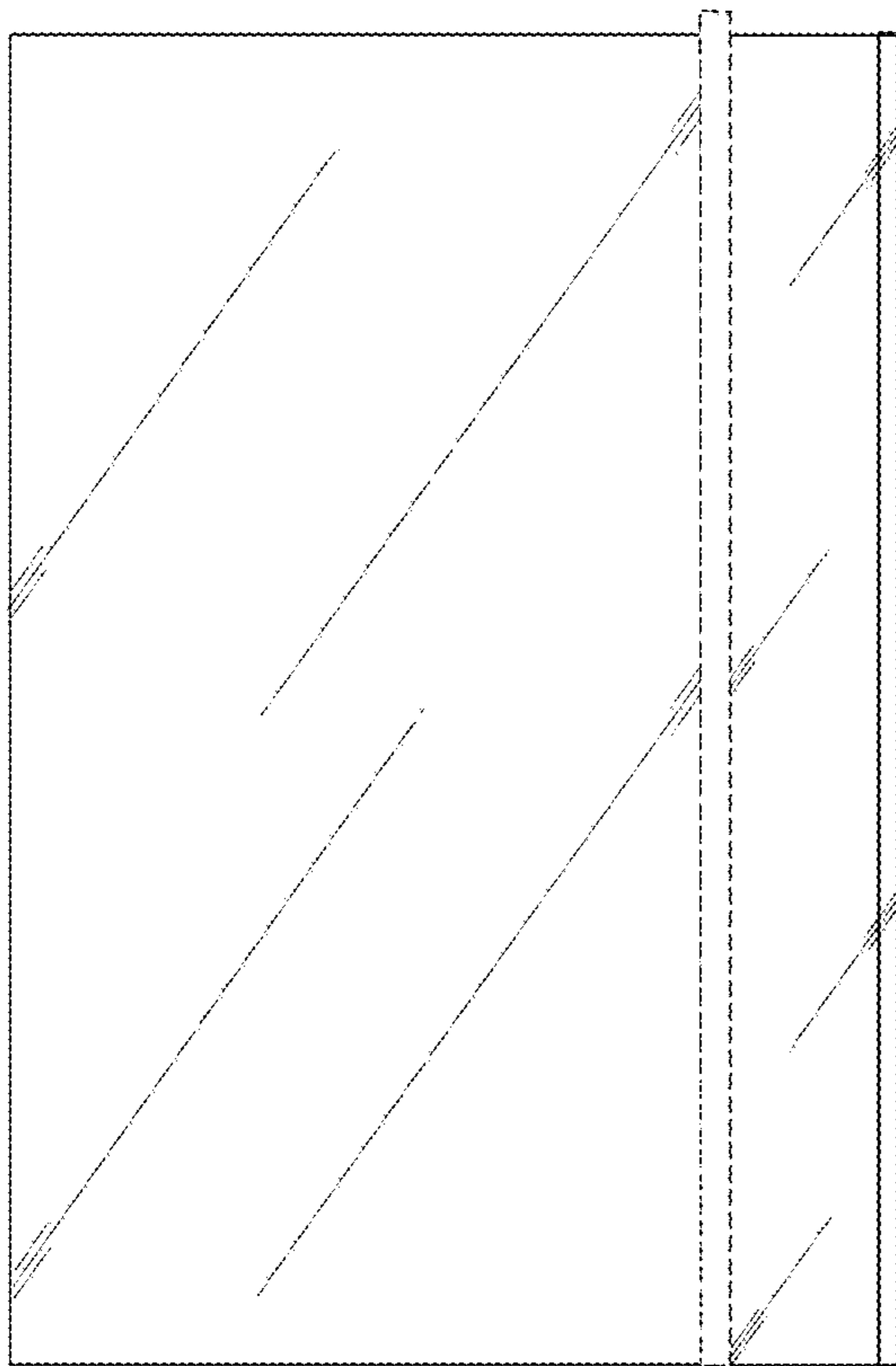


Fig. 5

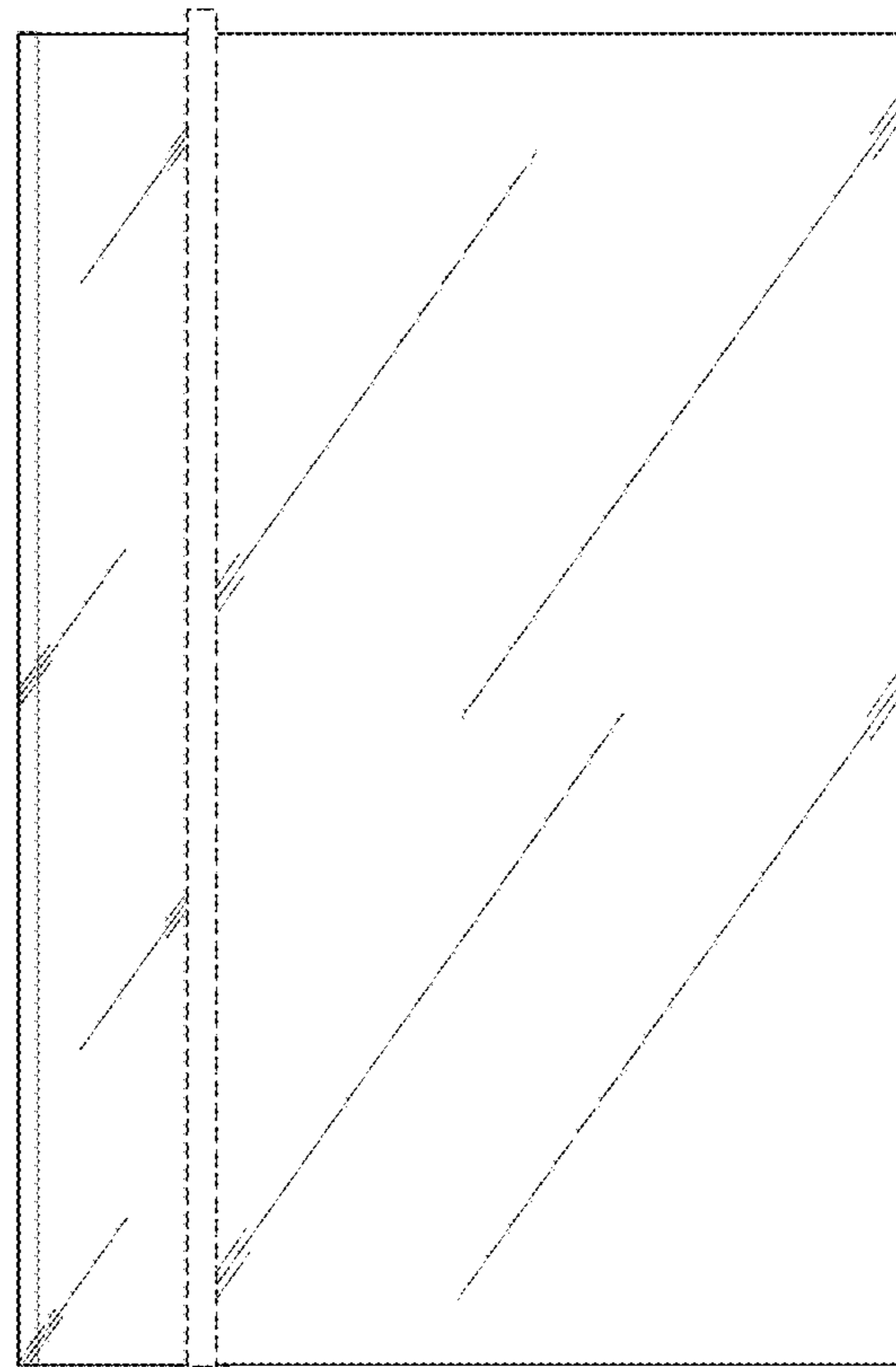


Fig. 6

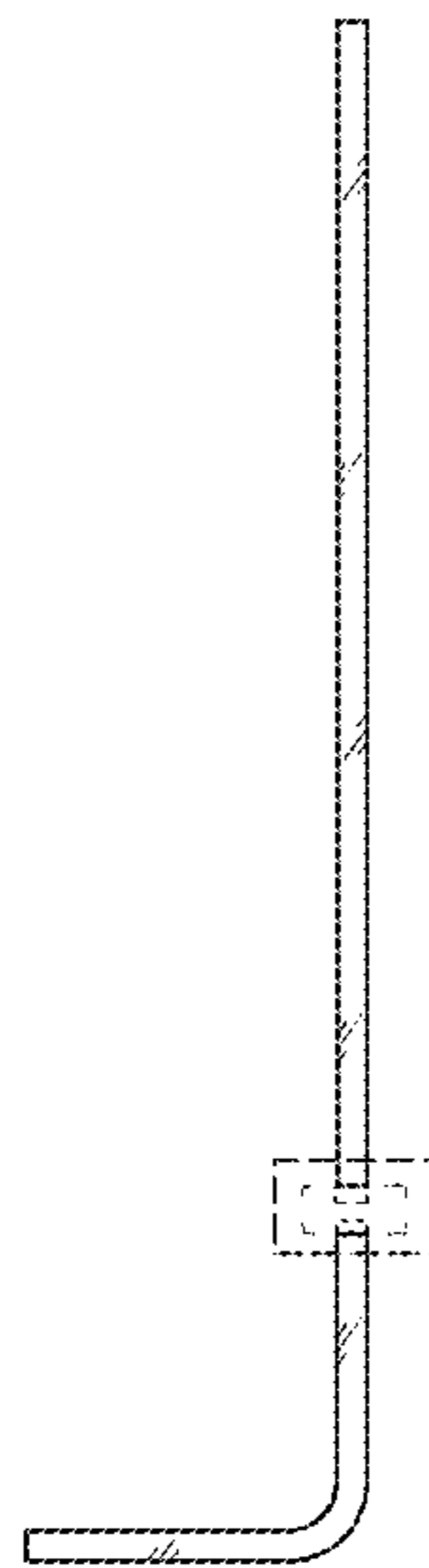


Fig. 7

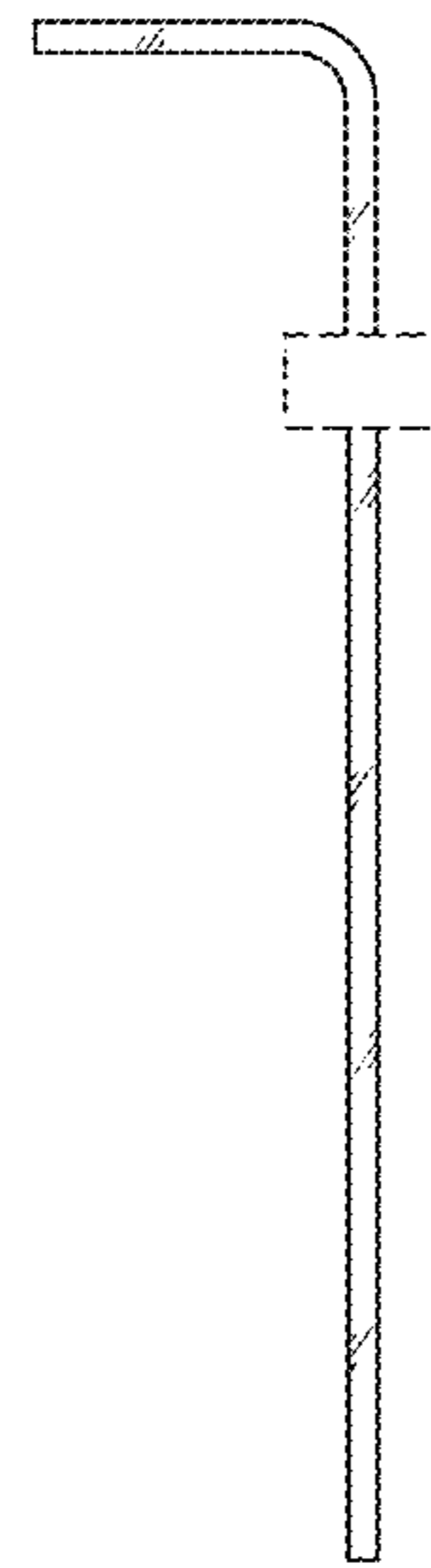


Fig. 8