



US00D915775S

(12) **United States Design Patent** (10) **Patent No.:** **US D915,775 S**  
**Moon et al.** (45) **Date of Patent:** **\*\* Apr. 13, 2021**

(54) **BLOW DRY BRUSH**

OTHER PUBLICATIONS

(71) Applicant: **Helen of Troy Limited**, St. Michael (BB)

<https://www.amazon.com/Revlon-One-Step-Dryer-Volumizer-Brush/dp/B01LSUQSB0?th=1> (made publicly available prior to Jul. 15, 2019).

(72) Inventors: **Jane Yoojung Moon**, Fullerton, CA (US); **David T. Janowick**, Santa Ana, CA (US); **Stephen Joseph Gwin**, Playa del Rey, CA (US)

\* cited by examiner

*Primary Examiner* — Austin Murphy  
(74) *Attorney, Agent, or Firm* — Rankin, Hill & Clark LLP

(73) Assignee: **Helen of Troy Limited**, St. Michael (BB)

(57) **CLAIM**

(\*\*) Term: **15 Years**

The ornamental design for a blow dry brush, as shown and described.

(21) Appl. No.: **29/698,167**

**DESCRIPTION**

(22) Filed: **Jul. 15, 2019**

(51) **LOC (13) Cl.** ..... **04-02**

(52) **U.S. Cl.**  
USPC ..... **D4/128**

(58) **Field of Classification Search**  
USPC ..... D4/128, 129, 131, 136, 138, 108, 109, D4/119; D32/35, 51; 15/104.5, 104.16, 15/104.2, 104.31, 104.32, 164, 165, 206; D28/65; D7/682; 452/298, 458  
CPC ..... A46B 2200/10; A46B 2200/104; A45D 2/10; A45D 1/00; A46D 1/003; A46D 3/087

FIG. 1 is a front perspective view of a blow dry brush embodying our new design;  
FIG. 2 is a rear perspective view of FIG. 1;  
FIG. 3 is a left-side elevation view of FIG. 1;  
FIG. 4 is a right-side elevation view of FIG. 1;  
FIG. 5 is a front elevation view of FIG. 1;  
FIG. 6 is a rear elevation view of FIG. 1;  
FIG. 7 is a top plan view of FIG. 1; and,  
FIG. 8 is a bottom plan view of FIG. 1.

See application file for complete search history.

The broken lines illustrate portions of the blow dry brush that form no part of the claimed design.

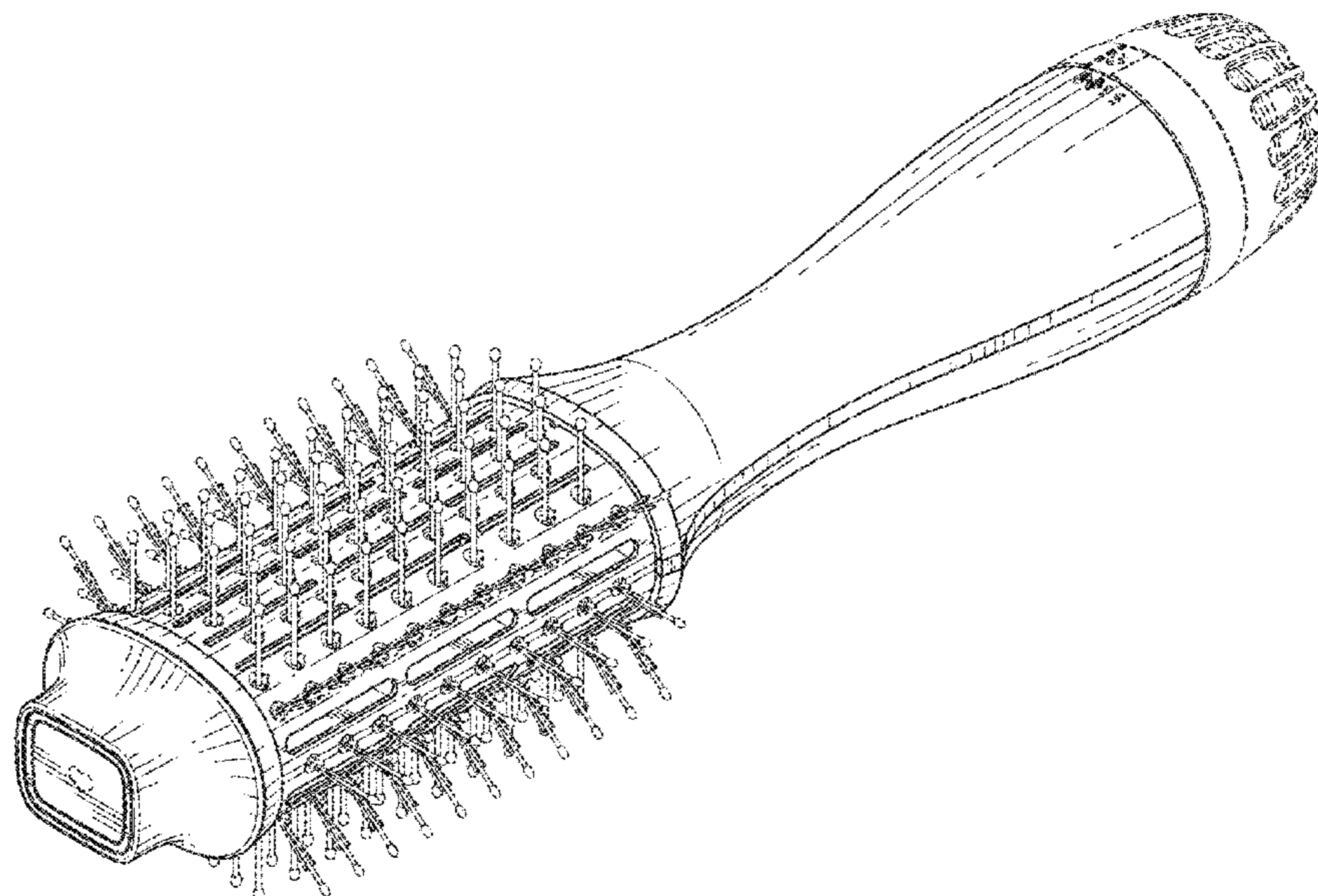
Color and texture may or may not form part of the claimed design without departing from the design disclosed. The inventors anticipate that the invention can be any part, portion, element, or combination of elements of the depicted design. The addition of further physical elements such as ribs, ridges, textures, and/or dimples are not excluded. Any part, portion, element, or combination of elements of the depicted design which is novel may represent an invention or design for which protection is or may be claimed in the future.

(56) **References Cited**

U.S. PATENT DOCUMENTS

D798,605 S	*	10/2017	Funches	.....	D4/128
D823,005 S	*	7/2018	Kuo	.....	D4/128
D832,592 S	*	11/2018	Kuo	.....	D4/128
D846,887 S	*	4/2019	Treeby	.....	D4/128
D847,514 S	*	5/2019	Maman	.....	D4/128
D856,683 S	*	8/2019	Rennette	.....	D4/128
D884,360 S	*	5/2020	Hou	.....	D4/128

**1 Claim, 7 Drawing Sheets**



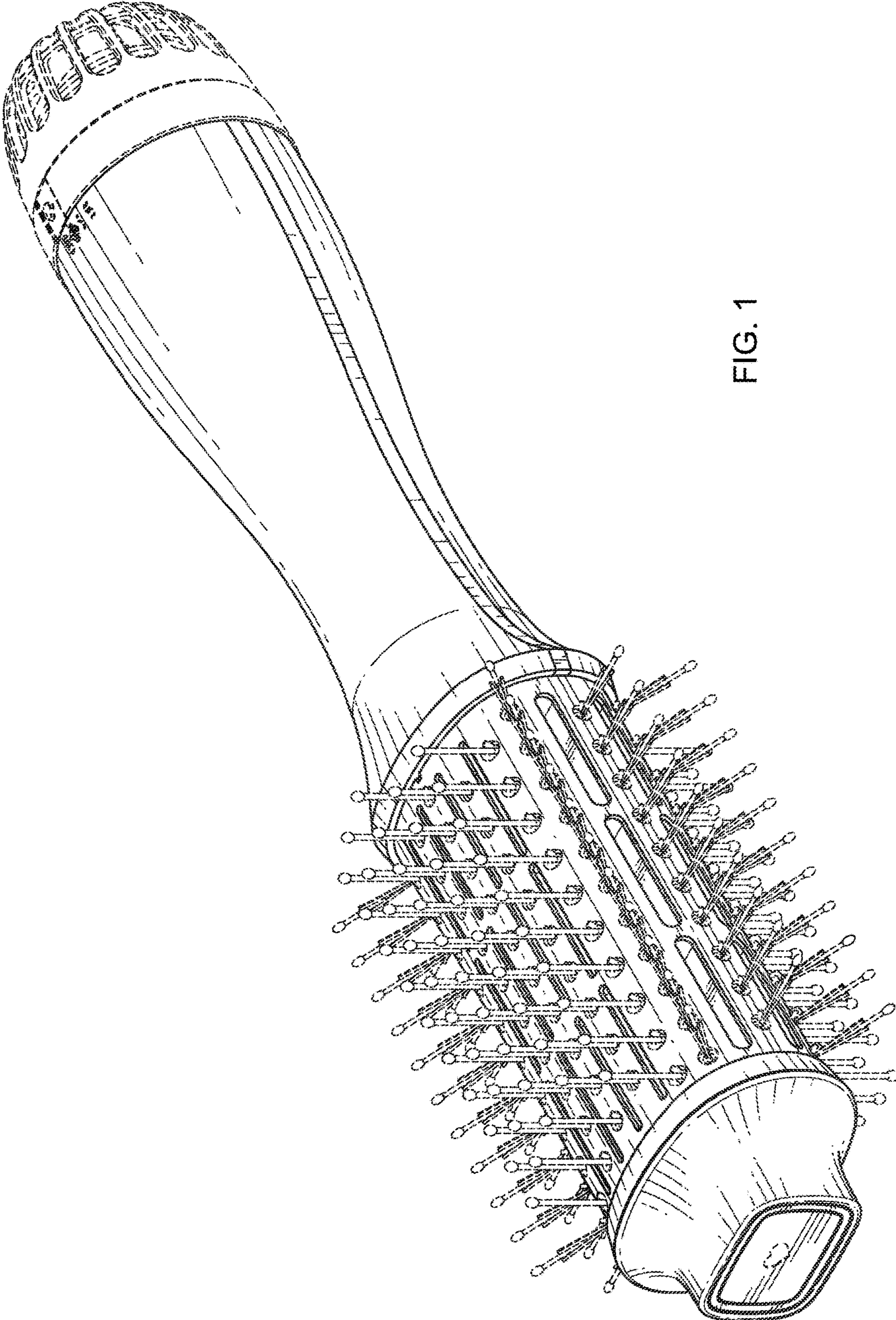


FIG. 1

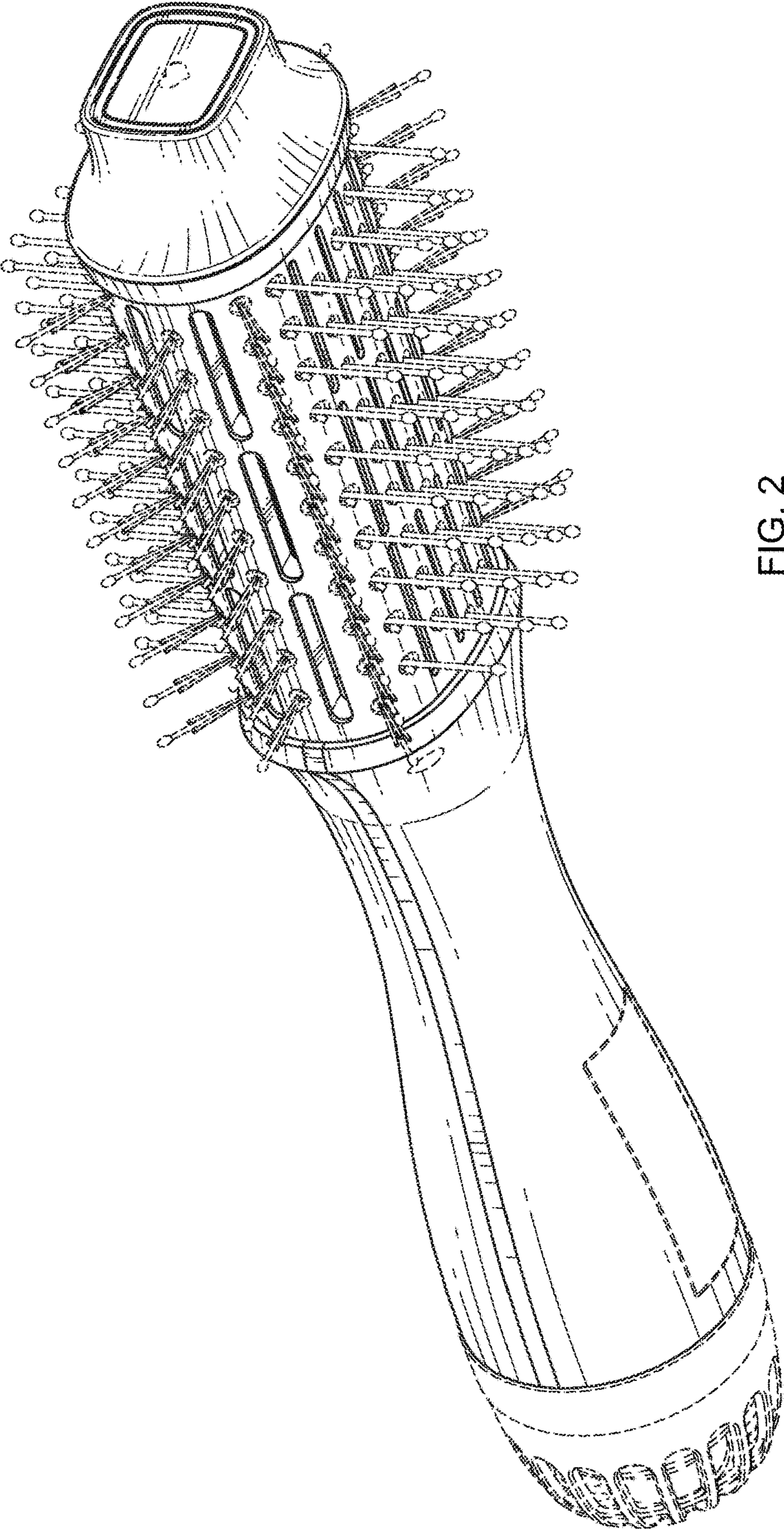


FIG. 2

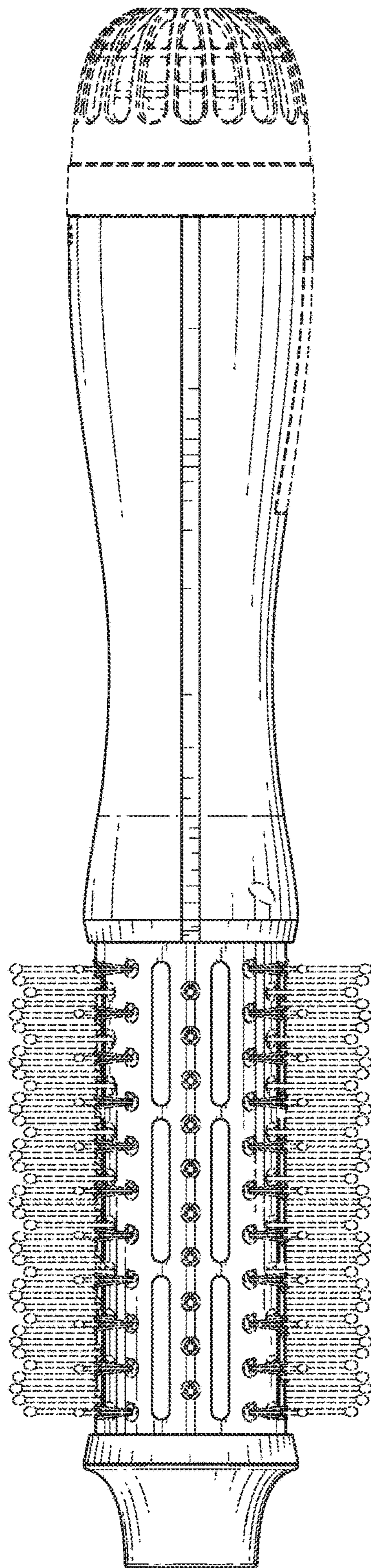


FIG. 3

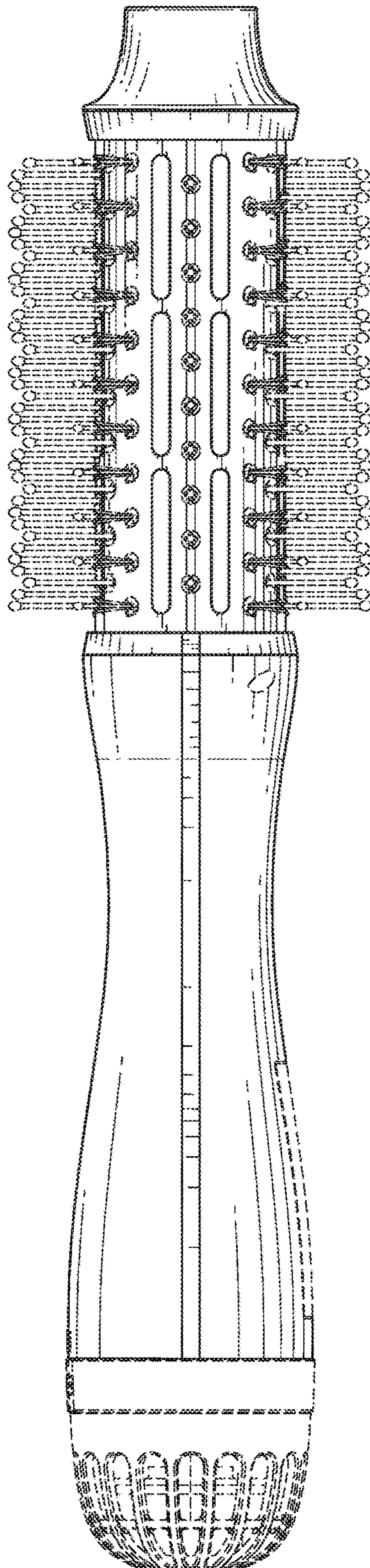


FIG. 4

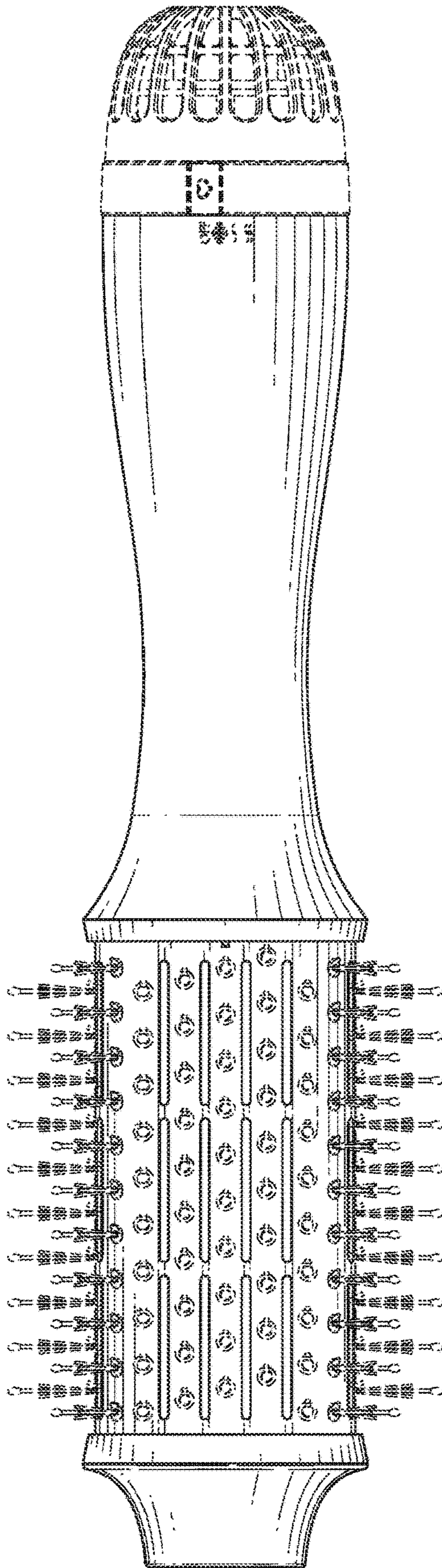


FIG. 5

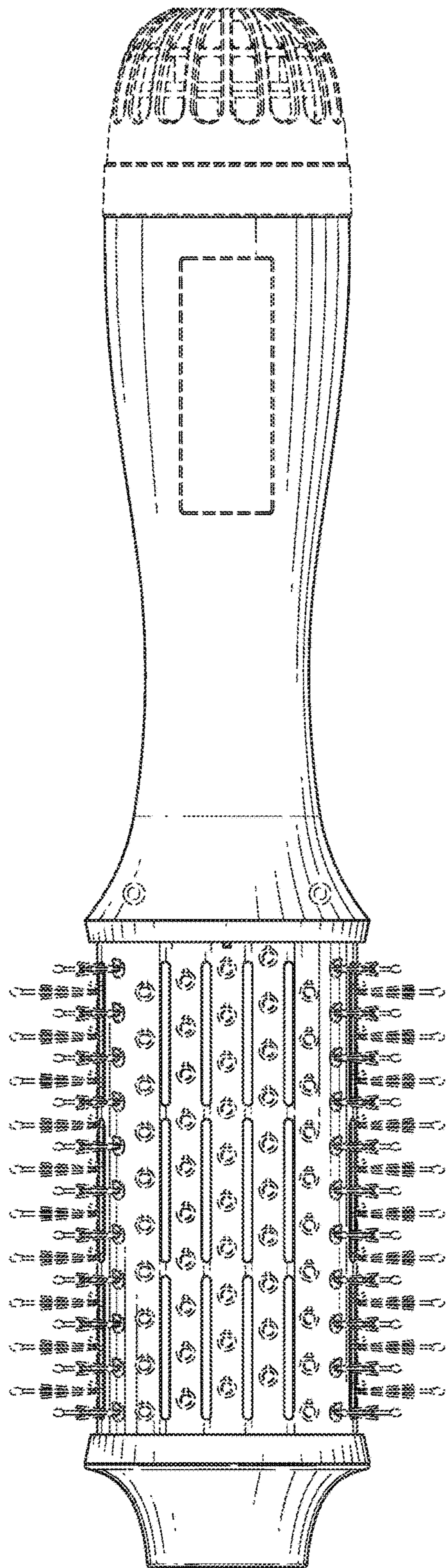


FIG. 6

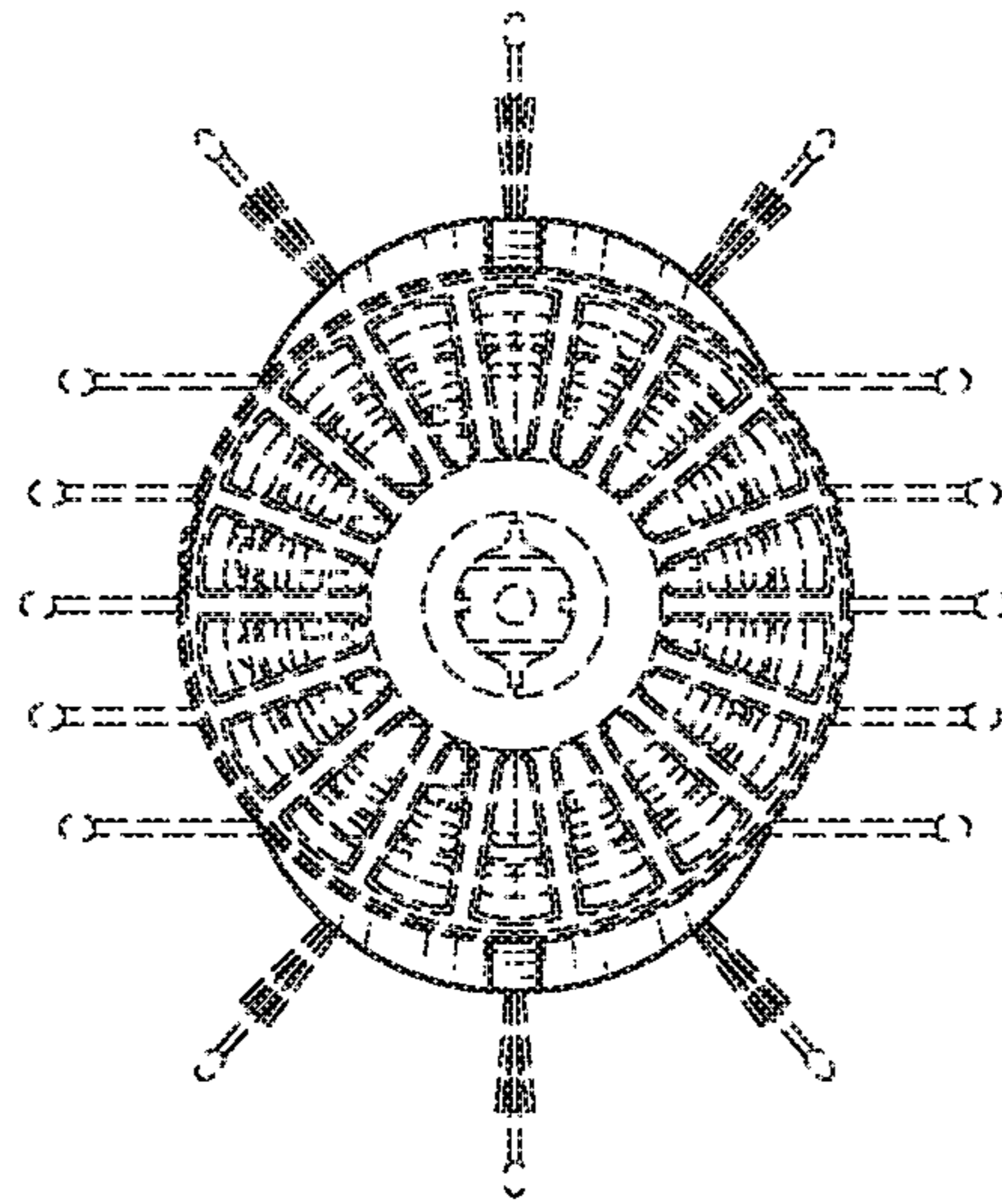


FIG. 8

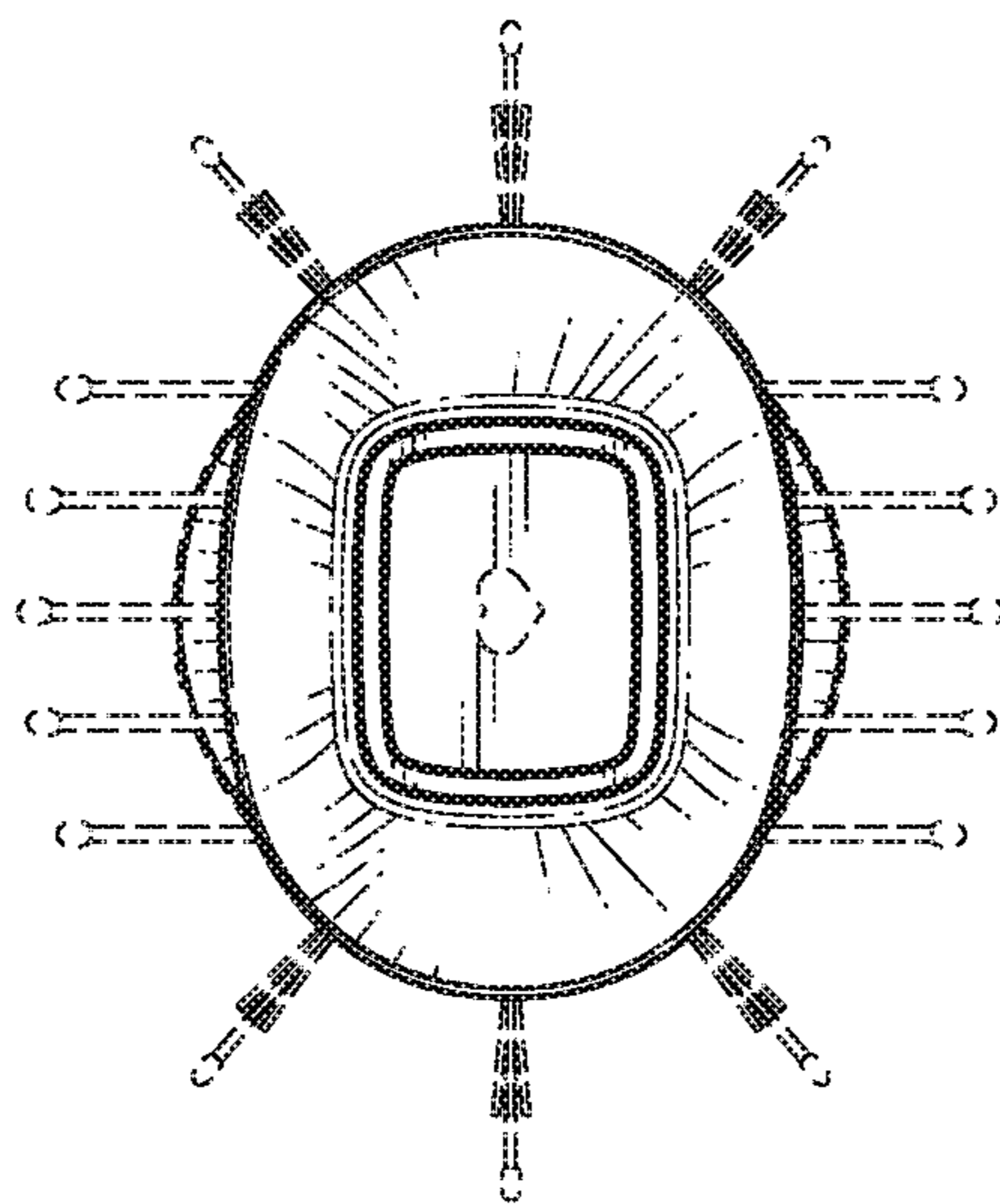


FIG. 7