



US00D915774S

(12) **United States Design Patent**
Vasquez et al.

(10) **Patent No.:** **US D915,774 S**
(45) **Date of Patent:** **** Apr. 13, 2021**

(54) **WEARABLE CARRIER WITH ATTACHED FLAP**

(71) Applicants: **Robert Vasquez**, Gilbert, AZ (US);
Brian Freeland, Chandler, AZ (US)

(72) Inventors: **Robert Vasquez**, Gilbert, AZ (US);
Brian Freeland, Chandler, AZ (US)

(**) Term: **15 Years**

(21) Appl. No.: **29/689,805**

(22) Filed: **May 2, 2019**

(51) **LOC (13) Cl.** **03-01**

(52) **U.S. Cl.**
USPC **D3/318**

(58) **Field of Classification Search**
USPC D3/216, 217, 318
CPC ... A45F 4/02; A45F 3/04; A45C 13/08; A45C
13/30; A45C 2005/032; A45C 2005/035;
A45C 5/03

See application file for complete search history.

(56) **References Cited**

U.S. PATENT DOCUMENTS

D293,392 S	12/1987	Lindon	
4,941,603 A *	7/1990	Creamer	A45F 3/04 150/109
D321,595 S	11/1991	Costello	
5,103,884 A	4/1992	Roman	
D368,367 S	4/1996	Sharp	
D378,007 S *	2/1997	Dean	D2/605
D423,211 S	4/2000	Giliberti	
D465,323 S	11/2002	Dancyger	

D467,068 S	12/2002	Lewis et al.
D608,622 S	1/2010	Zhu
D664,352 S	7/2012	Shamoon
D716,544 S	11/2014	Fahnholz
D718,930 S	12/2014	Cabana

OTHER PUBLICATIONS

U.S. Trademark Serial No. 88274735; Mark—Hippie Mini Pack
Filing date: Jan. 24, 2019.

U.S. Trademark Serial No. 88463893; Mark—FLIP-N-HIP
Filing date: Jun. 7, 2019.

* cited by examiner

Primary Examiner — Holly E Thurman

(74) *Attorney, Agent, or Firm* — LegalForce RAPC
Worldwide

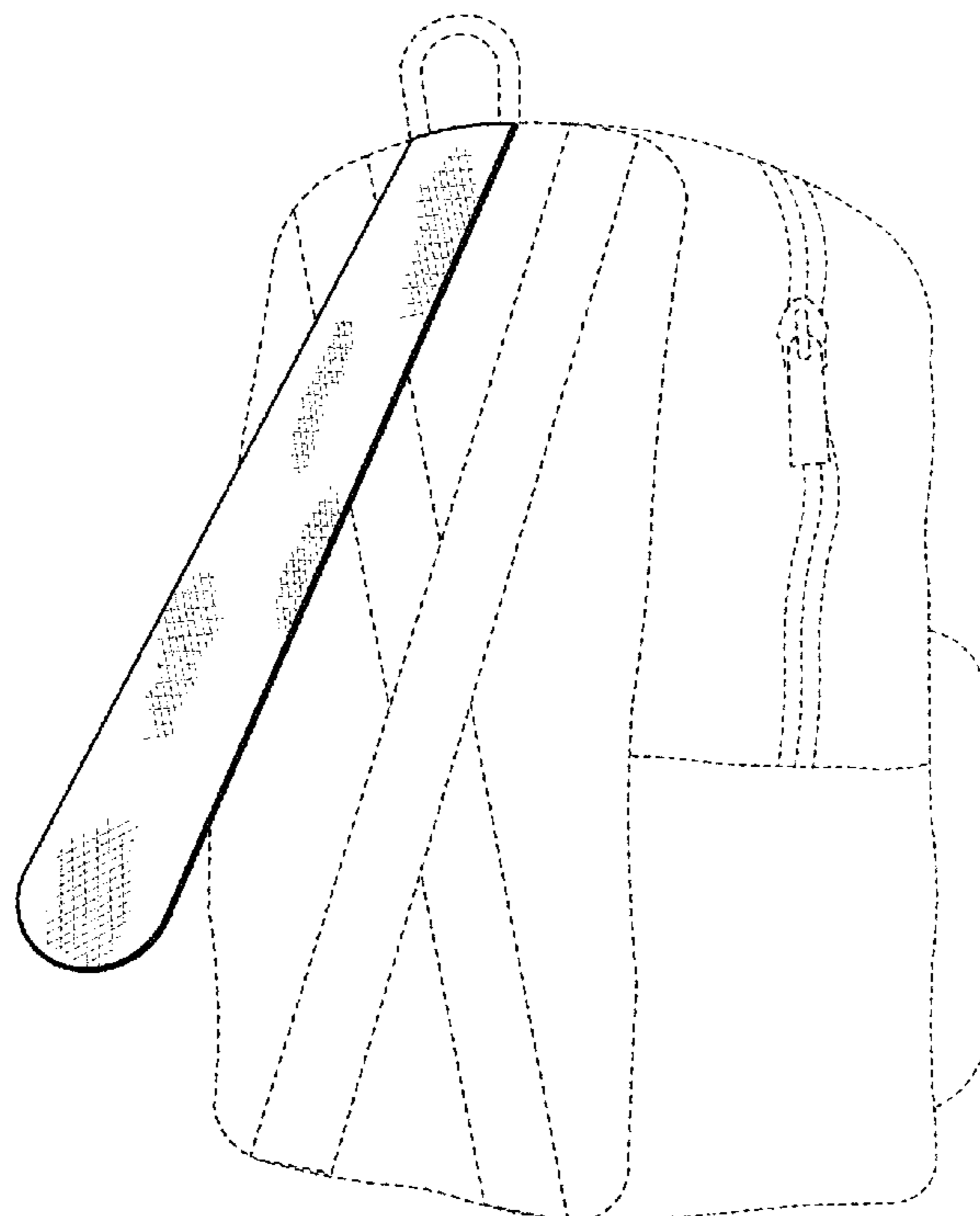
(57) **CLAIM**

The ornamental design for a wearable carrier with attached flap, as shown and described.

DESCRIPTION

FIG. 1 is a front right side perspective view for a wearable carrier with attached flap, showing our new design; FIG. 2 is a front elevational view of FIG. 1 thereof; FIG. 3 is a rear elevational view of FIG. 1 thereof; FIG. 4 is a left side elevational view of FIG. 1 thereof, the right side elevational view being a mirror image; FIG. 5 is a top plan view of FIG. 1 thereof; and, FIG. 6 is a bottom plan view of FIG. 1 thereof. The broken lines indicate unclaimed portions of the design and form no part of the claimed design.

1 Claim, 6 Drawing Sheets



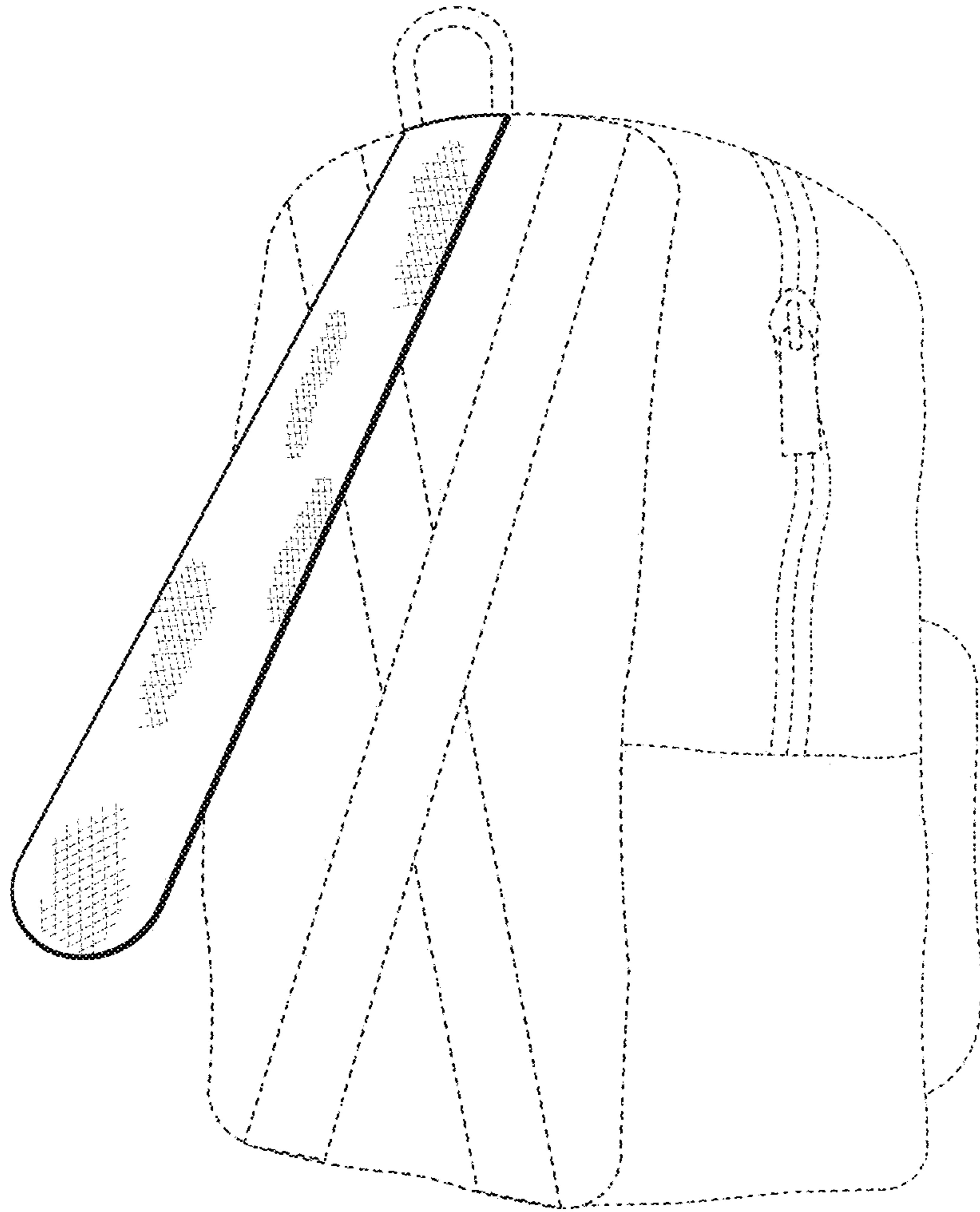


FIG. 1

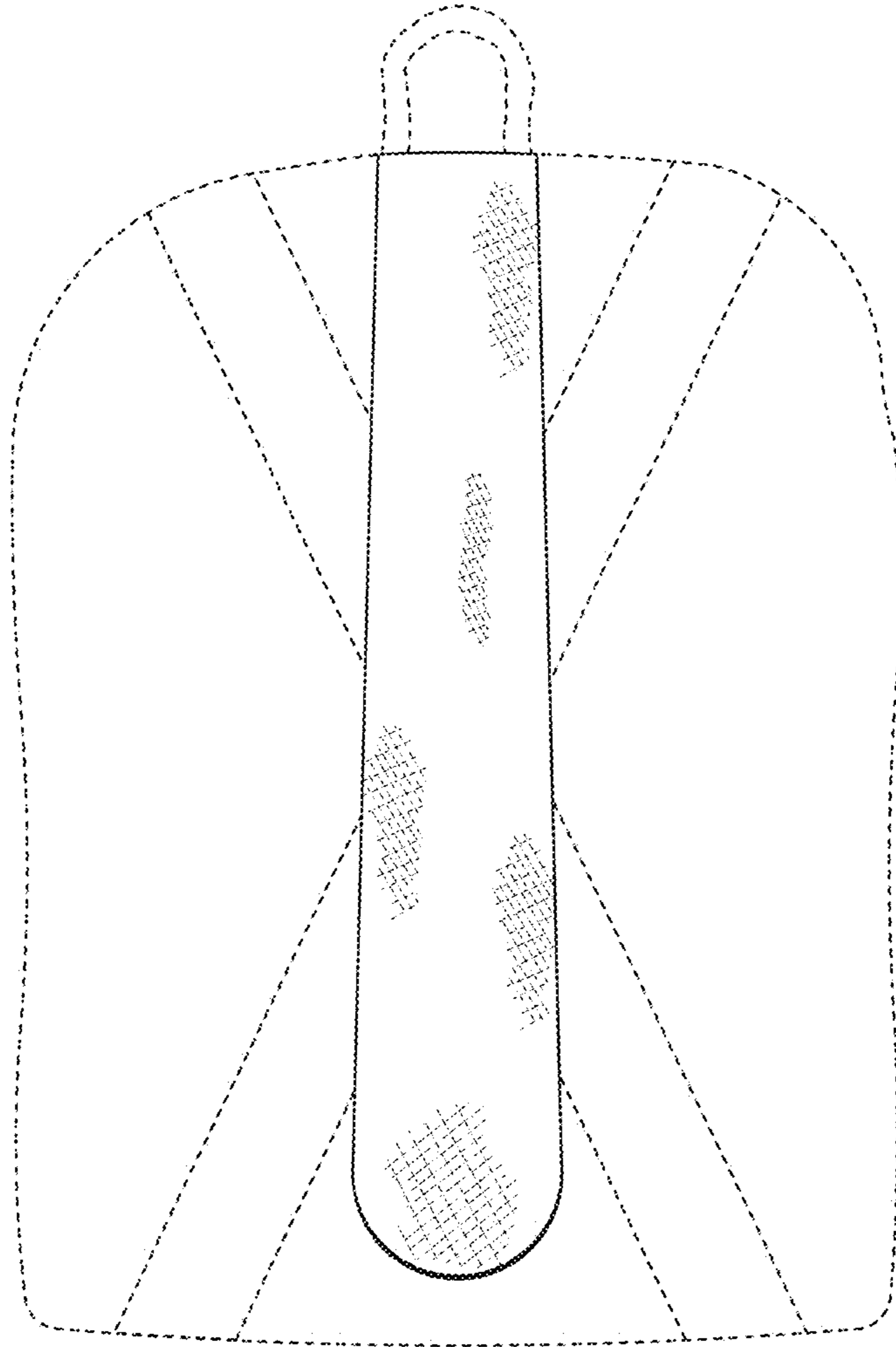


FIG. 2

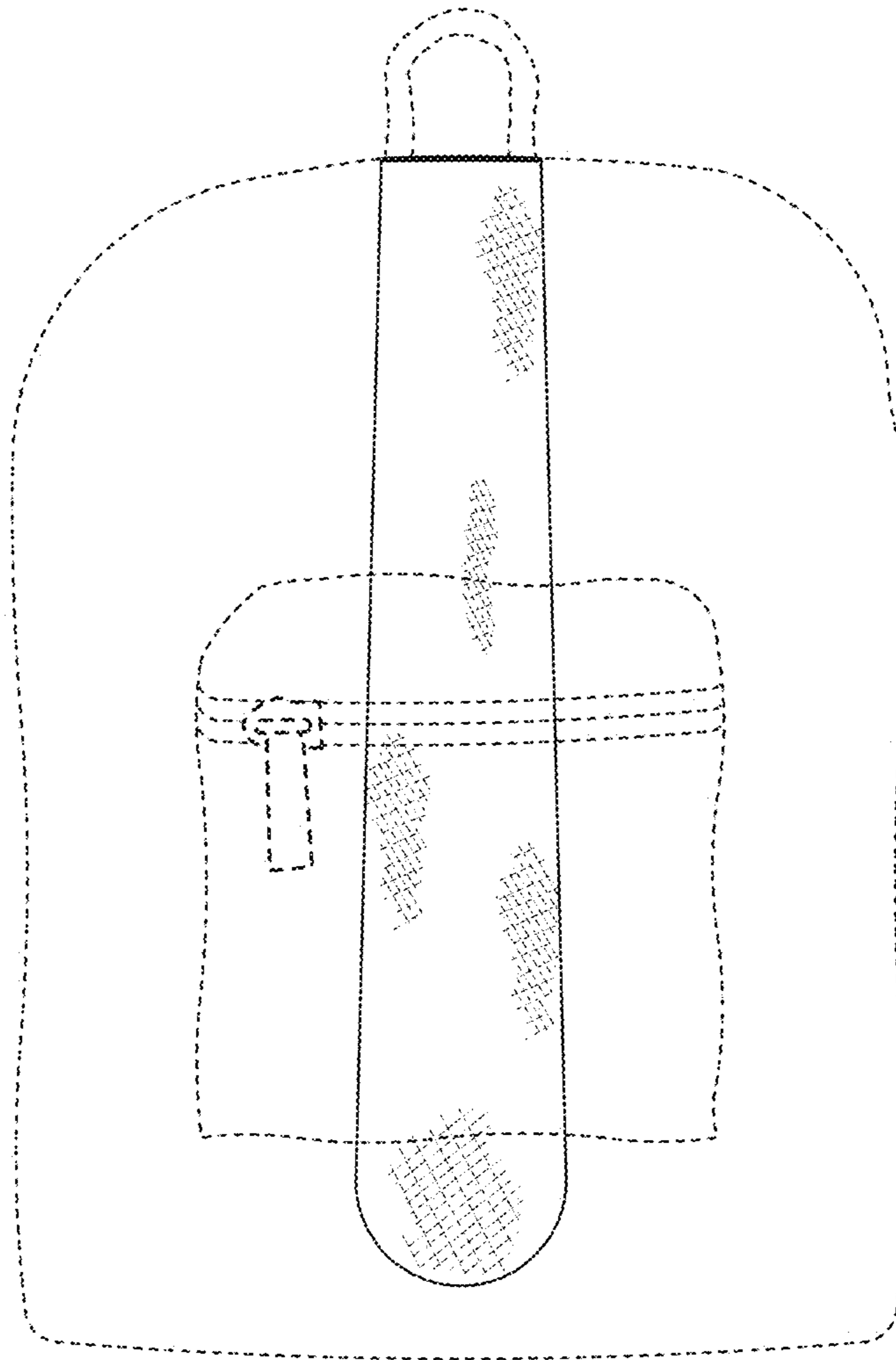


FIG. 3

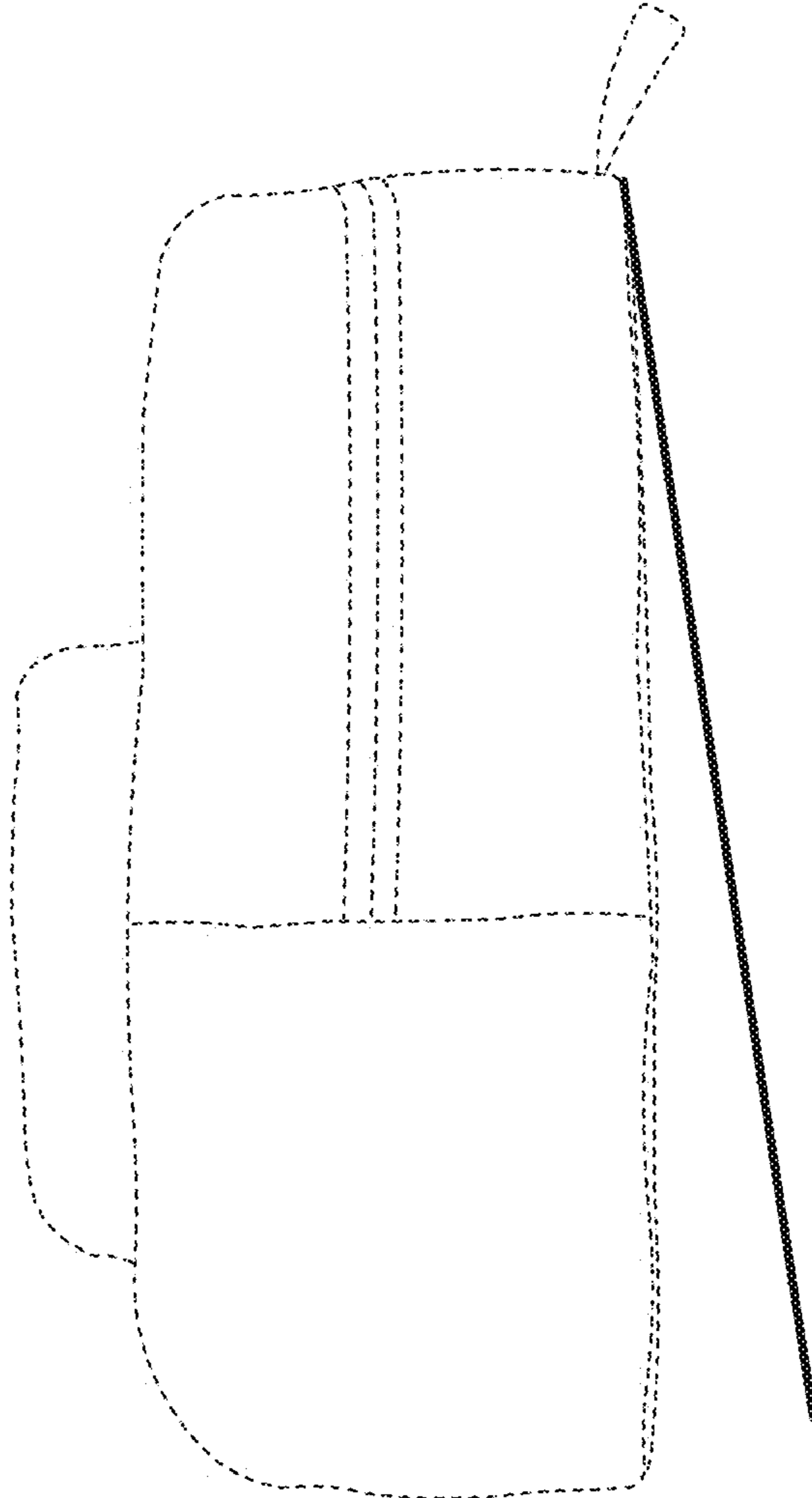


FIG. 4

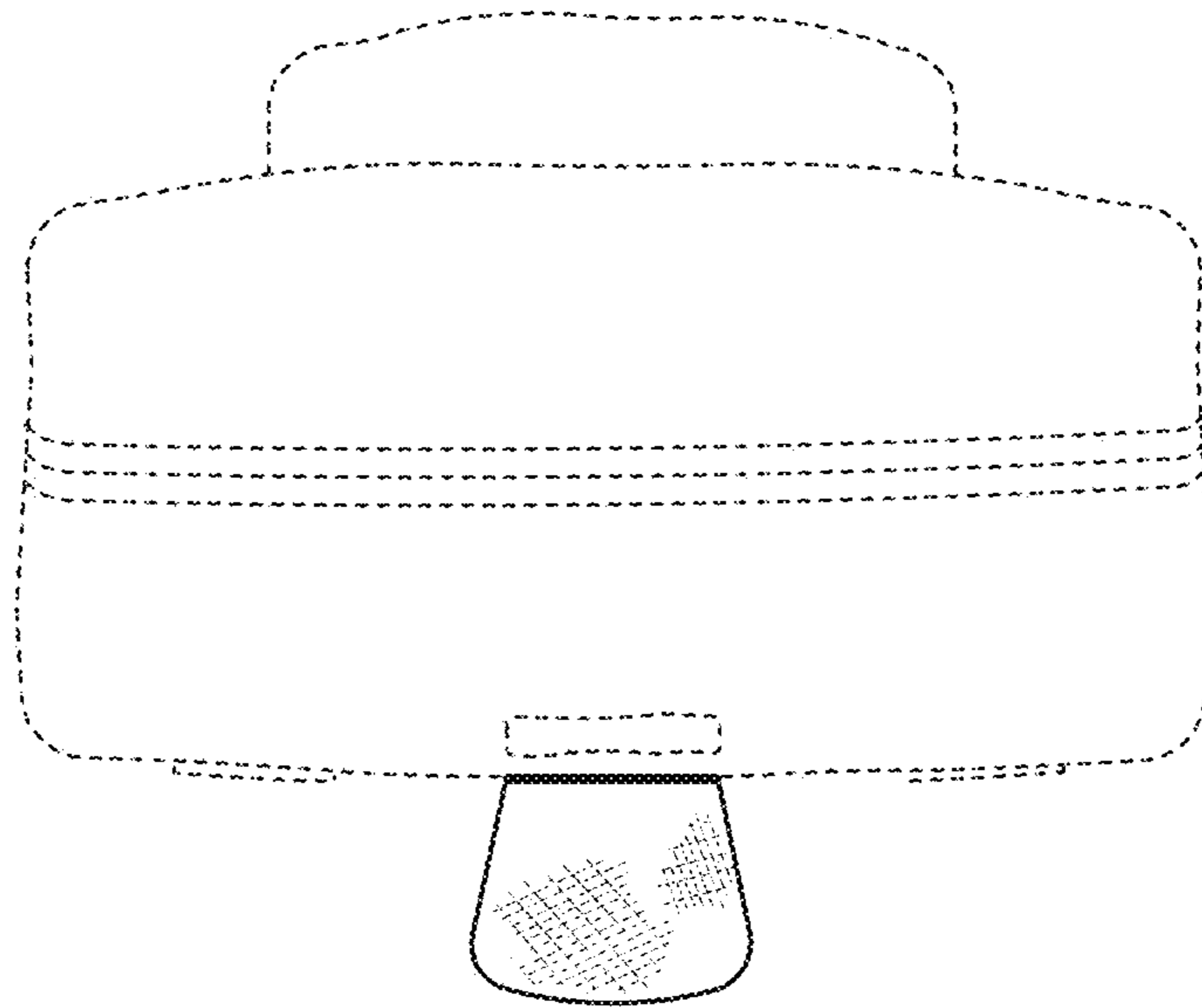


FIG. 5

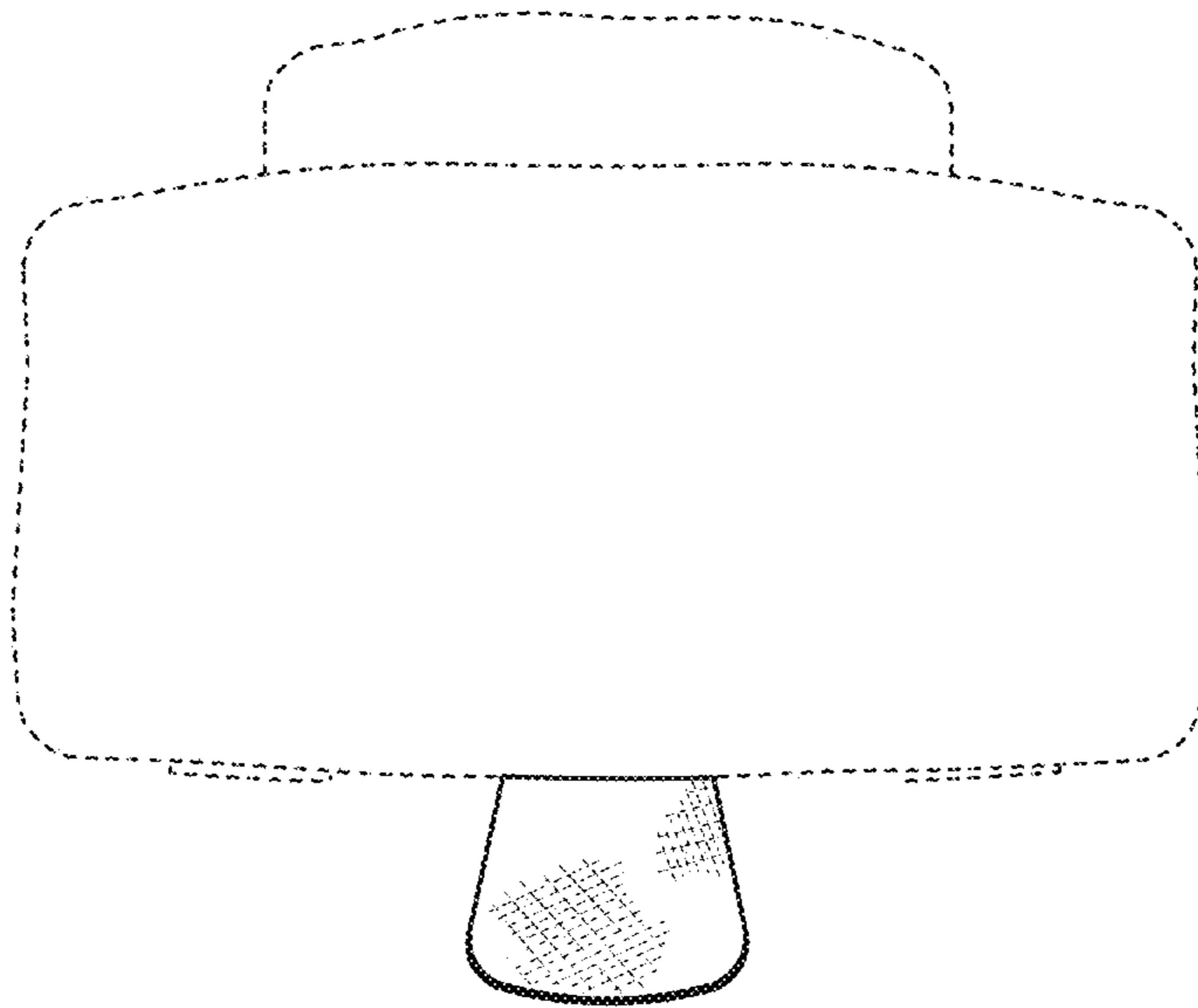


FIG. 6