



US00D915773S

(12) **United States Design Patent** (10) **Patent No.:** **US D915,773 S**
Gillan (45) **Date of Patent:** **** Apr. 13, 2021**

(54) **APPLIQUE AND QUILTING PATTERN
DESIGN APPLIED TO BAGS**

(71) Applicant: **Michael John Gillan**, Honolulu, HI
(US)

(72) Inventor: **Michael John Gillan**, Honolulu, HI
(US)

(**) Term: **15 Years**

(21) Appl. No.: **29/680,034**

(22) Filed: **Feb. 12, 2019**

(51) **LOC (13) Cl.** **03-01**

(52) **U.S. Cl.**
USPC **D3/318**

(58) **Field of Classification Search**
USPC D3/232–233, 240–243, 245–246, 318
CPC A45C 1/024; A45C 3/06
See application file for complete search history.

(56) **References Cited**

U.S. PATENT DOCUMENTS

D123,984 S	*	12/1940	Pchel	D3/245
D144,925 S	*	6/1946	Kalisher	D3/245
D730,046 S	*	5/2015	Koutsolioutsos	D3/245
D746,056 S	*	12/2015	Finell	D3/245
D768,379 S	*	10/2016	Luo	D3/232
D778,047 S	*	2/2017	Koutsolioutsos	D3/245
D785,934 S	*	5/2017	Maier	D3/243

* cited by examiner

Primary Examiner — Holly E Thurman

(74) *Attorney, Agent, or Firm* — Keri Ann K. S.
Krzykowski; Martin E. Hsia

(57) **CLAIM**

The ornamental design for an applique and quilting pattern design applied to bags, as shown and described.

DESCRIPTION

FIG. 1 is a perspective view of a first embodiment of the applique and quilting pattern design applied to bags of my new design from the front, left; FIG. 2 is an elevational view thereof from the front, shown in the fastened configuration; FIG. 3 is an elevational view thereof from the left; FIG. 4 is an elevational view thereof from the right; FIG. 5 is a perspective view of a second embodiment of the applique and quilting pattern design applied to bags of my new design from the front, left; FIG. 6 is an elevational view thereof from the front; FIG. 7 is an elevational view thereof from the left; FIG. 8 is an elevational view thereof from the right; FIG. 9 is a perspective view of a third embodiment of the applique and quilting pattern design applied to bags of my new design from the front, left; FIG. 10 is an elevational view thereof from the front; FIG. 11 is an elevational view thereof from the left; and, FIG. 12 is an elevational view thereof from the right.

The rear and bottom views of ail the foregoing embodiments are flat and devoid of surface ornamentation.

The top views of all the foregoing embodiments are sufficiently shown in the perspective views and devoid of surface ornamentation.

The dashed lines in FIGS. 1-12 show stitching which is part of the claimed design.

The dotted lines in FIGS. 1-12 show unclaimed environmental structure and portions of the bags that form no part of the design.

The lightly drawn unbroken lines in the lower right, diagonal portions of FIGS. 1-12 show shading from a light source at a forty-five degree angle from the upper left to lower right.

1 Claim, 9 Drawing Sheets





FIG. 1

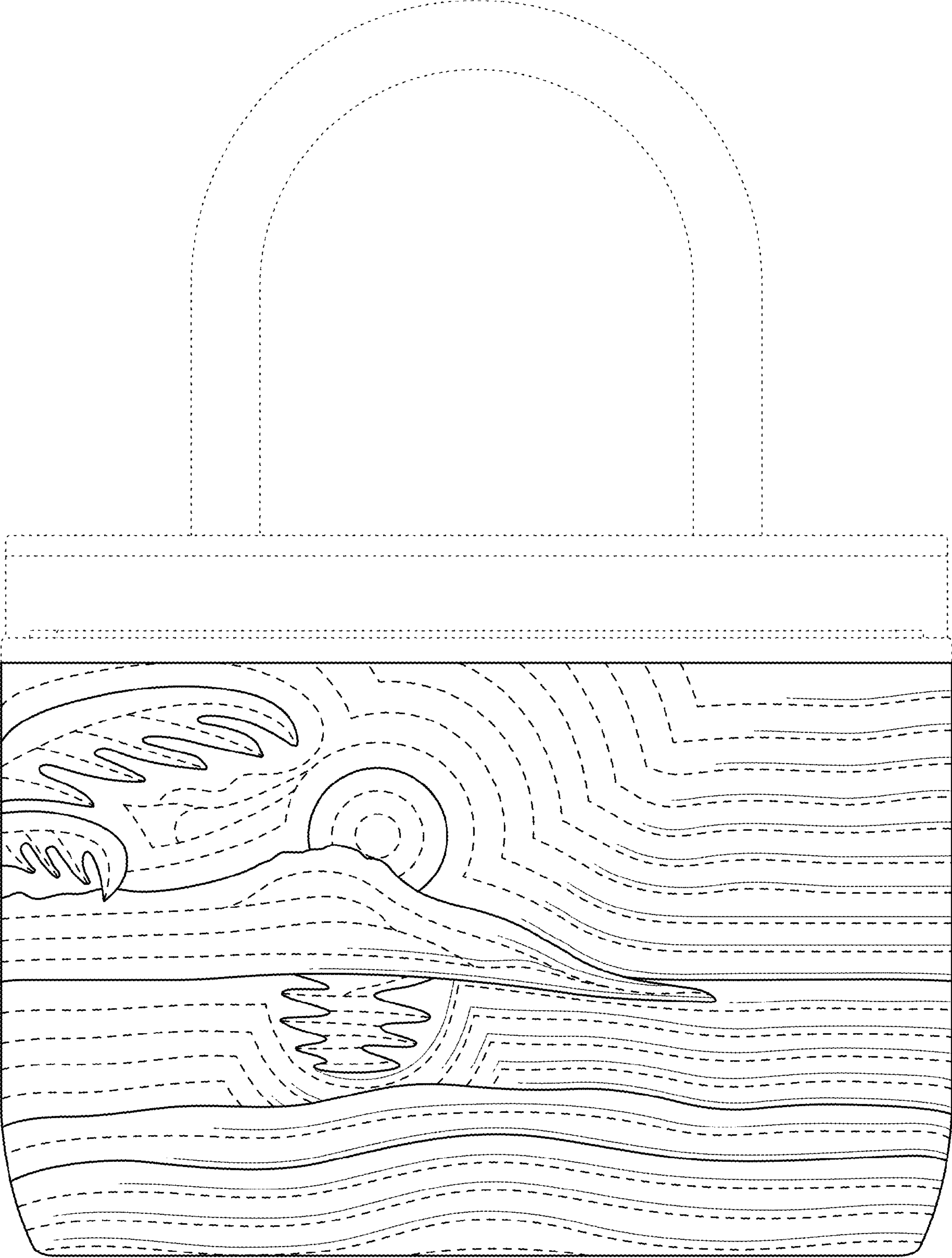


FIG. 2

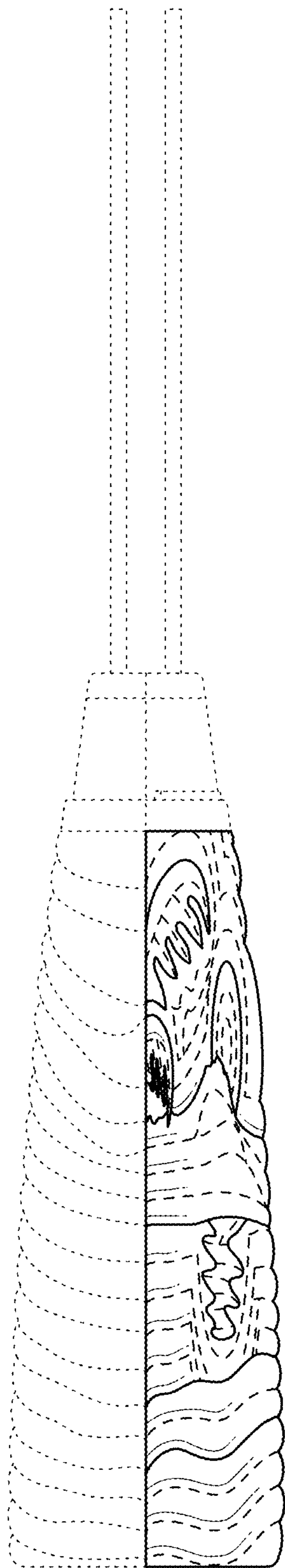


FIG. 3

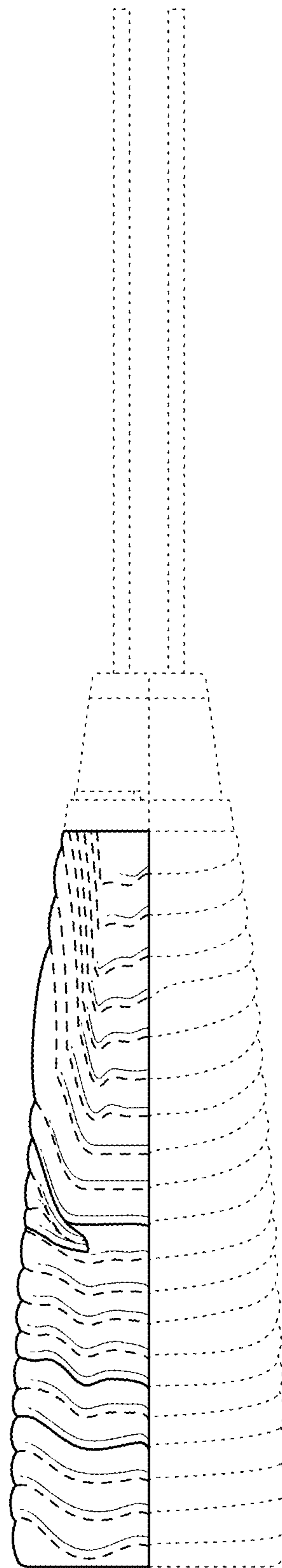


FIG. 4

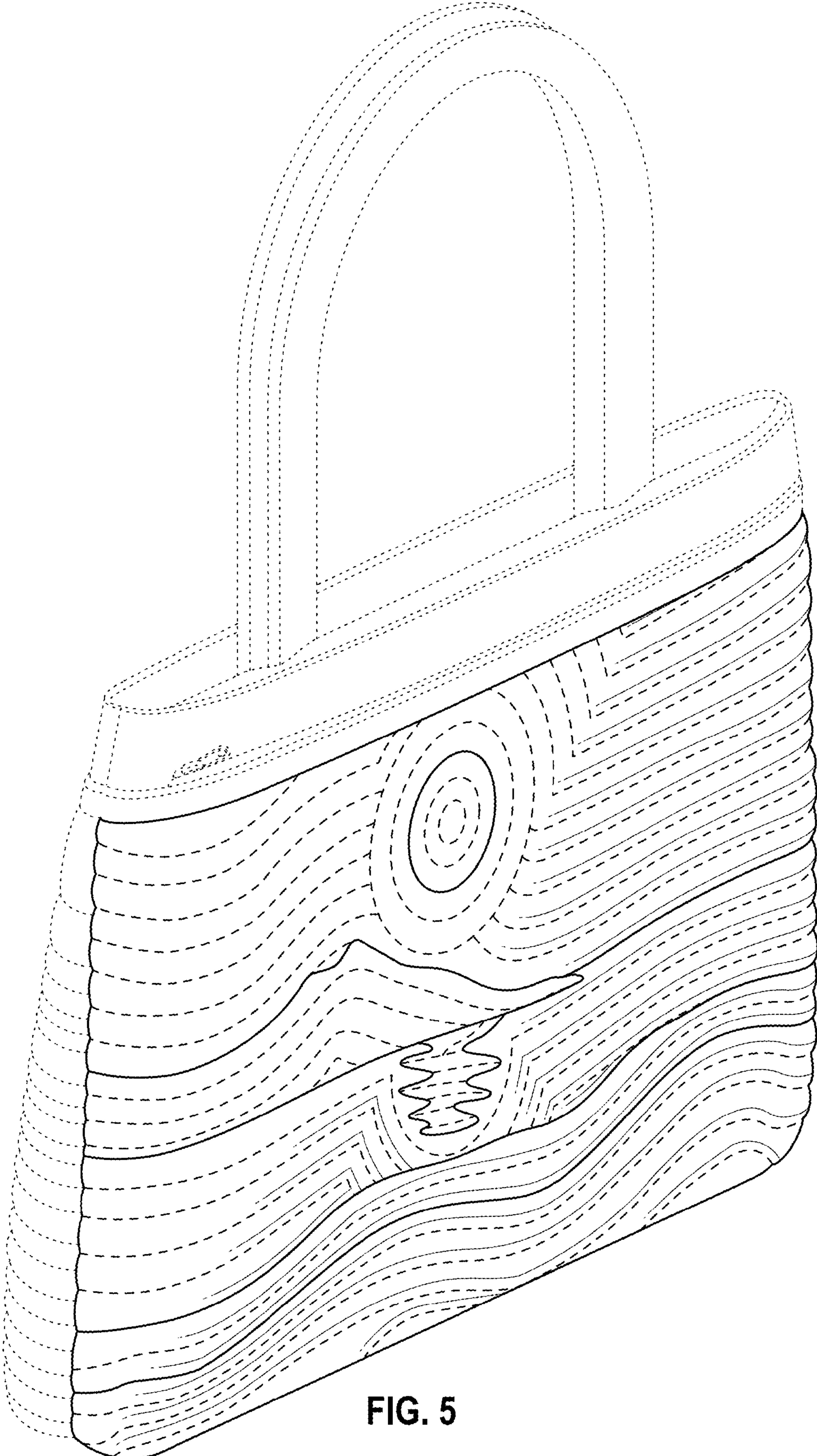


FIG. 5

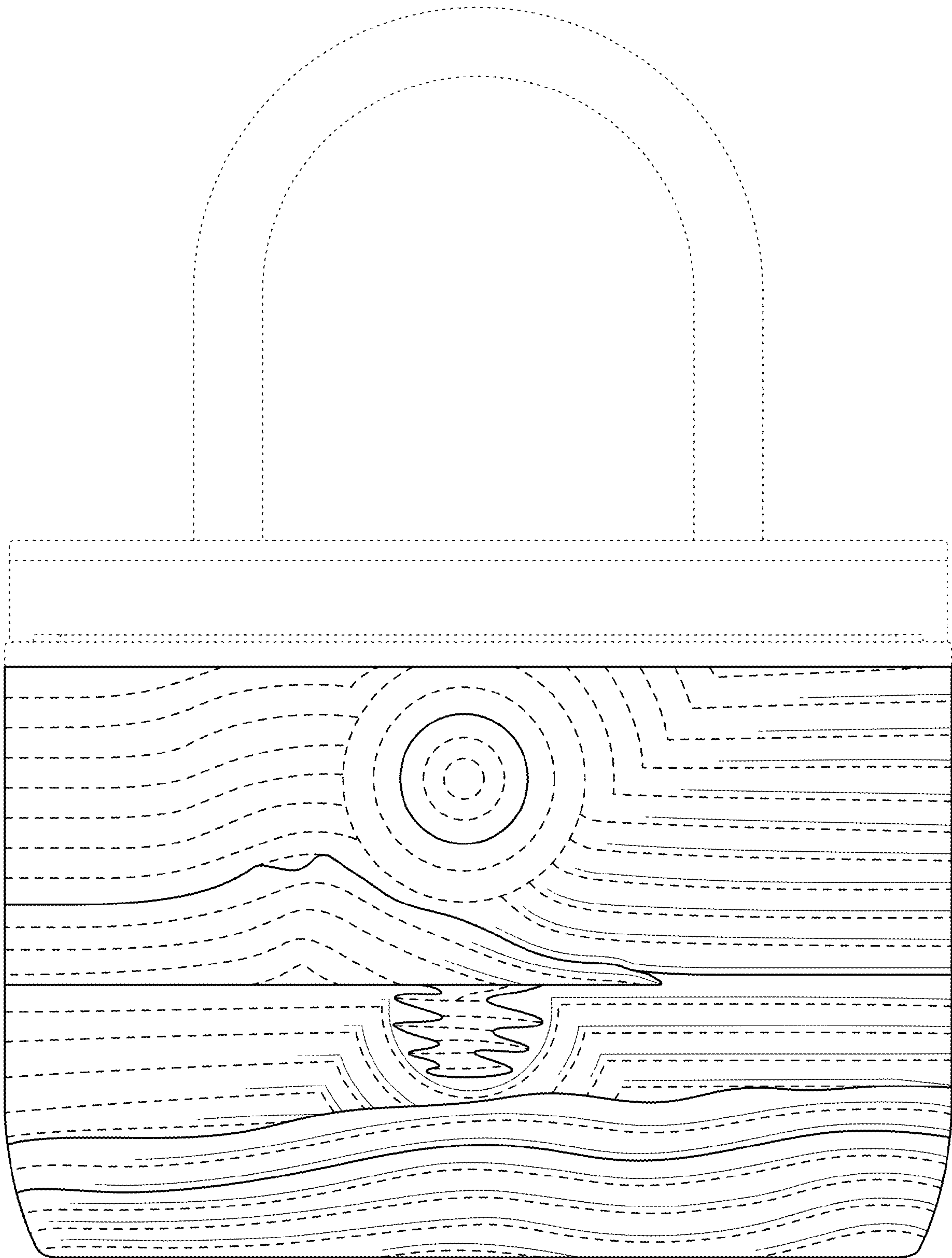


FIG. 6

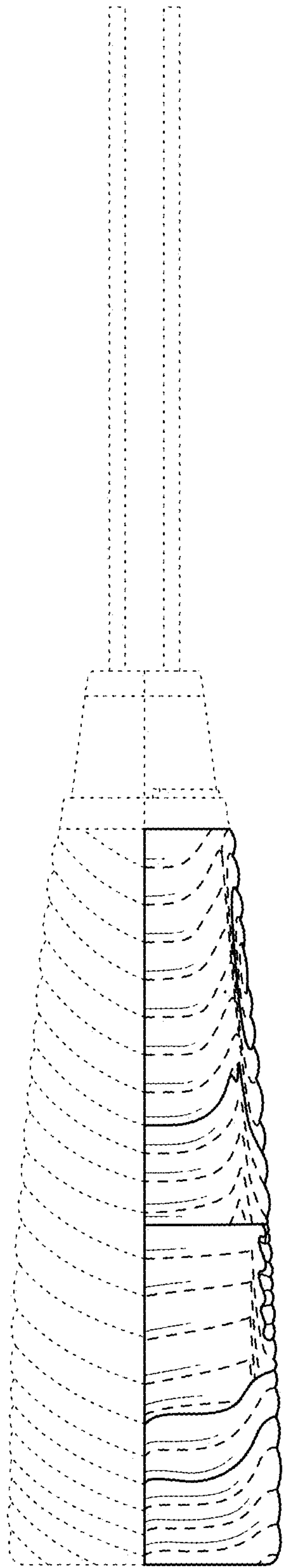


FIG. 7

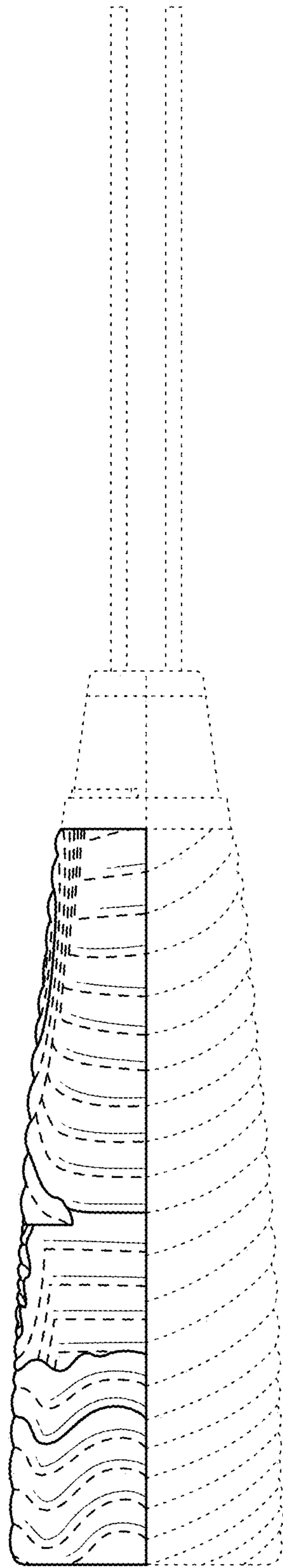


FIG. 8

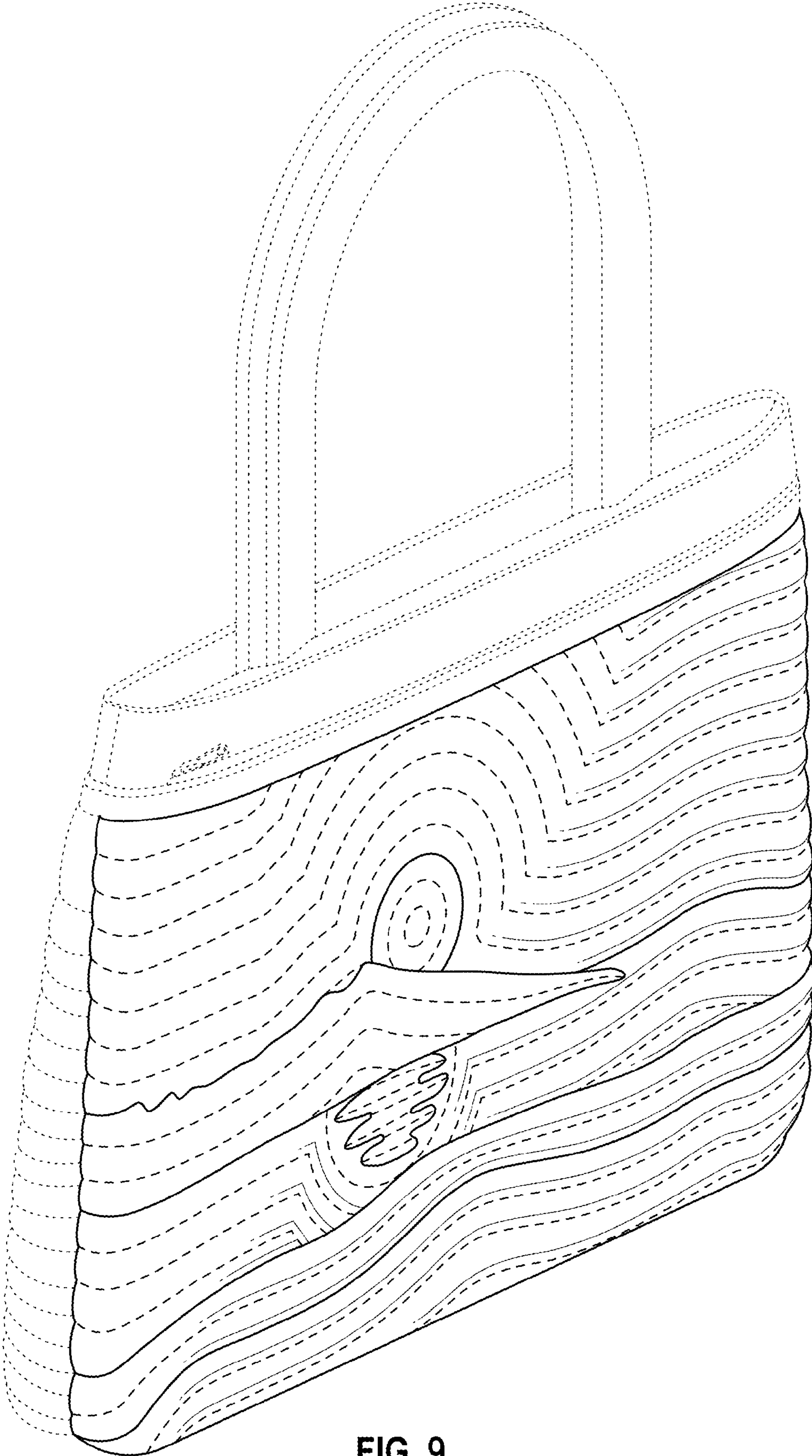


FIG. 9

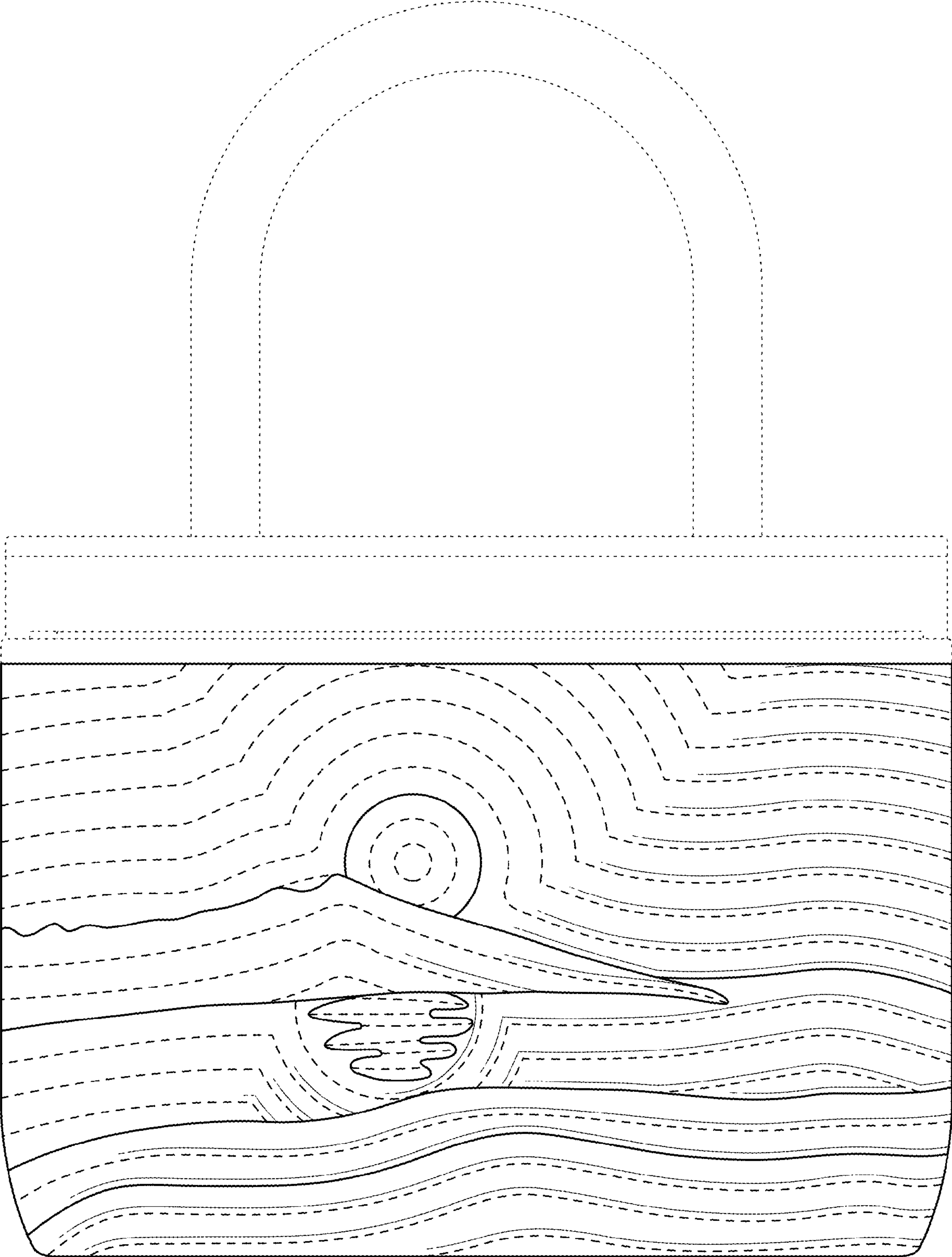


FIG. 10

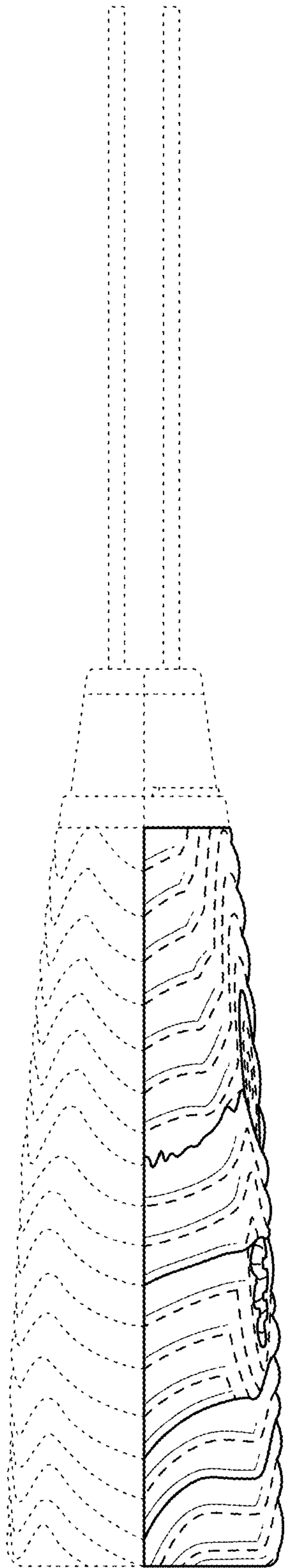


FIG. 11

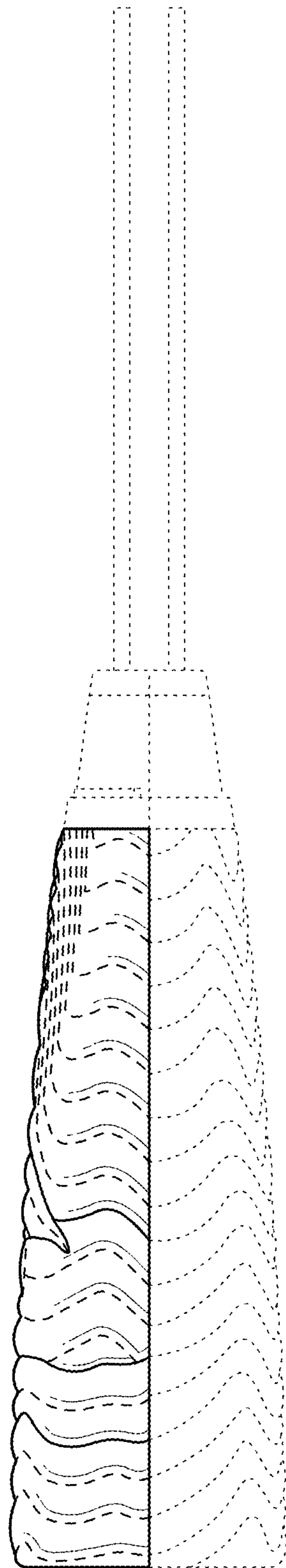


FIG. 12