



US00D915772S

(12) **United States Design Patent** (10) **Patent No.:** **US D915,772 S**
Sakai (45) **Date of Patent:** **** Apr. 13, 2021**

(54) **CASE FOR TOY BEADS**

FOREIGN PATENT DOCUMENTS

(71) Applicant: **EPOCH COMPANY LTD**, Tokyo (JP)

RU 00119120 * 3/2020

(72) Inventor: **Ryo Sakai**, Tokyo (JP)

OTHER PUBLICATIONS

(73) Assignee: **EPOCH COMPANY, LTD.**, Tokyo (JP)

Facebook user "Good Toy Guide", photo posted Jul. 17, 2020, facebook.com [online], [site visited Feb. 5, 2021], Available at internet URL: <https://www.facebook.com/GoodToyGuide/photos/pcb.3005512826231724/3005512759565064/?type=3&theater> (Year: 2020).*

(**) Term: **15 Years**

(21) Appl. No.: **29/708,118**

(Continued)

(22) Filed: **Oct. 3, 2019**

(30) **Foreign Application Priority Data**

Apr. 3, 2019 (JP) 2019-007263

(51) **LOC (13) Cl.** **09-04**

(52) **U.S. Cl.**
USPC **D3/313; D3/304; D3/314**

(58) **Field of Classification Search**
USPC D3/273, 276, 283-286, 291, 293, D3/298-299, 304-315, 319, 321, 901, D3/903; D6/512, 681.3, 683, 683.1, D6/708.17; D19/75, 81, 83-86, 90-92, D19/95
CPC .. B25H 3/003; B25H 3/06; A45C 5/00; A45C 11/00; A45C 11/34; A45C 11/36; A45C 13/02; A45F 7/00; A45F 2200/05; A45F 2200/0575; A47G 21/00; A47G 21/14; B65D 1/00; B65D 1/22; B65D 1/24; B65D 1/34; B65D 1/36; B65D 11/00; B65D 21/00; B65D 25/00; B65D 25/04; B65D 25/06; B65D 85/00

See application file for complete search history.

(56) **References Cited**

U.S. PATENT DOCUMENTS

D10,130 S * 7/1877 Rosenbach D3/304
D173,722 S * 12/1954 Cote D19/73
D263,780 S * 4/1982 Hildebrand D6/552

(Continued)

Primary Examiner — Jeffrey D Asch
Assistant Examiner — Caitlin Ann Laverty
(74) *Attorney, Agent, or Firm* — Fitzgerald IP Law; John K Fitzgerald, Esq.

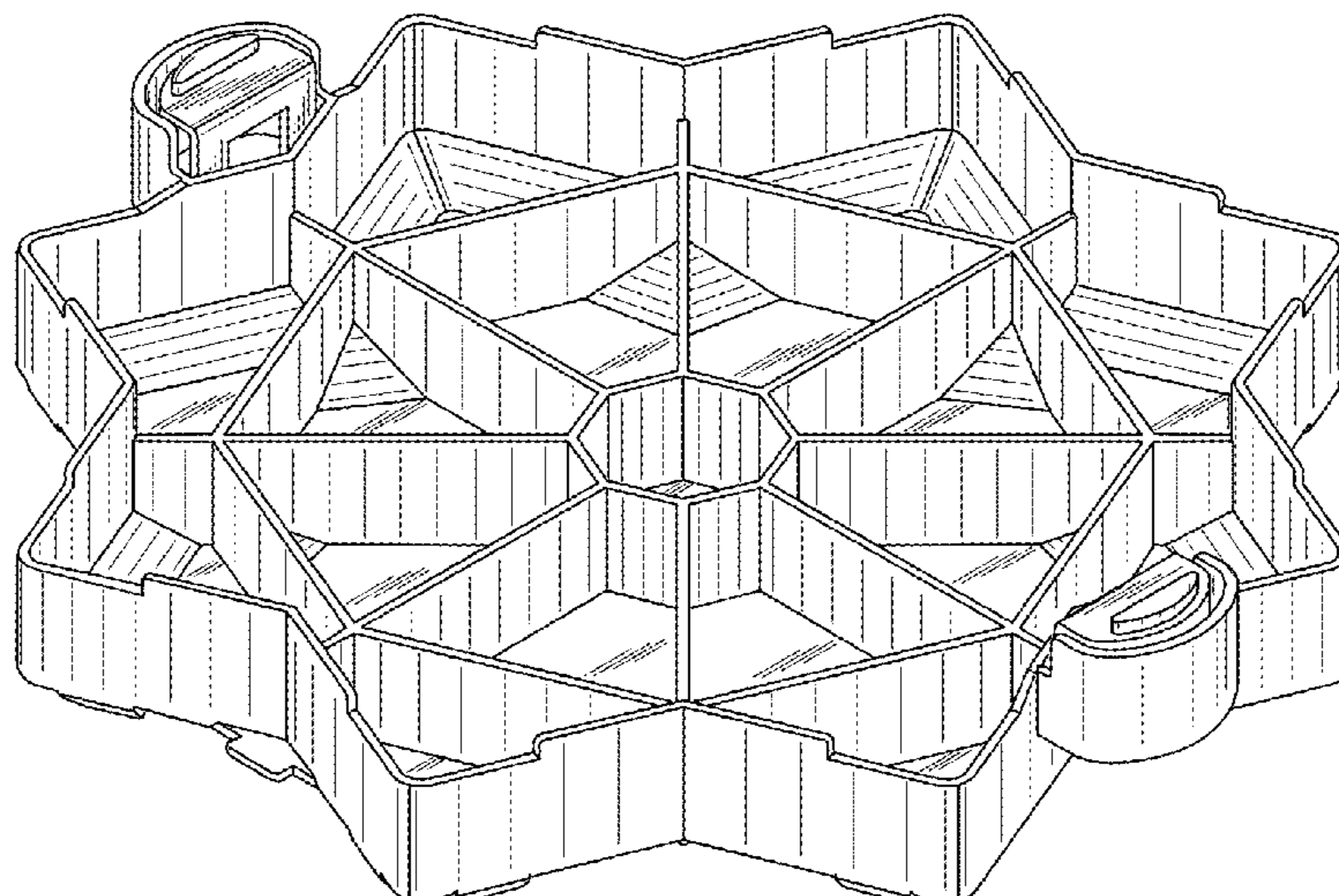
(57) **CLAIM**

The ornamental design for a case for toy beads, as shown and described.

DESCRIPTION

FIG. 1 is a perspective view of the front, top, and right side of a case for toy beads showing my new design; FIG. 2 is a perspective view of the rear, bottom, and left side thereof; FIG. 3 is a front view thereof; FIG. 4 is a rear view thereof; FIG. 5 is a top view thereof; FIG. 6 is a bottom view thereof; FIG. 7 is a right side view thereof; FIG. 8 is a left side view thereof; and, FIG. 9 is a perspective view of the case for toy beads of FIG. 1 with a lid and another case for beads drawn in broken lines. The broken lines shown in the drawing are included for the purpose of illustrating portions of the article and environment which form no part of the claimed design.

1 Claim, 9 Drawing Sheets



(56)

References Cited

U.S. PATENT DOCUMENTS

D321,788 S * 11/1991 Chen D3/295
 D374,948 S * 10/1996 Mers D19/75
 D379,881 S * 6/1997 Gregg, III D6/681.3
 D398,449 S * 9/1998 Hsu D19/85
 D420,854 S * 2/2000 Michaeli D7/553.6
 D433,066 S * 10/2000 Porter D19/77
 D435,865 S * 1/2001 La Greca D19/75
 D474,942 S * 5/2003 Tocci D7/541
 D546,062 S * 7/2007 Tate D3/271.8
 D616,671 S * 6/2010 Biraghi D6/680.2
 D660,518 S * 5/2012 Chen D28/73
 D667,589 S * 9/2012 Greiner D28/73
 D687,602 S * 8/2013 Chen D28/82
 D726,459 S * 4/2015 Hawkins D6/683.1
 D735,997 S * 8/2015 Behringer D3/315
 D795,577 S * 8/2017 Brown-Gayles D3/274
 D813,544 S * 3/2018 Wang D3/305
 D883,669 S * 5/2020 Sakai D3/294
 D907,361 S * 1/2021 Sakai D3/272

2001/0030139 A1* 10/2001 Gagliardi, Jr. B65D 1/36
 206/459.5
 2009/0139880 A1* 6/2009 Abdullah A45C 11/36
 206/214
 2016/0325859 A1* 11/2016 Kimmel B29C 66/849
 2018/0057233 A1* 3/2018 Fox A61L 9/012

OTHER PUBLICATIONS

Wood organizer box for beads . . . , available from Nov. 20, 2020 (based on customer photo review), etsy.com [online], [site visited Feb. 5, 2021], Available at internet URL: https://www.etsy.com/listing/843957524/bead-tray-organizer-wooden-holder?ref=pla_similar_listing_top-2 (Year: 2020).*

Aquabeads Star Bead Studio . . . , available from Feb. 1, 2021, amazon.com [online], [site visited Feb. 5, 2021], Available at internet URL: <https://www.amazon.com/Aquabeads-31601-Star-Studio-Playset/dp/B0831KYXMR> (Year: 2021).*

* cited by examiner

FIG. 1

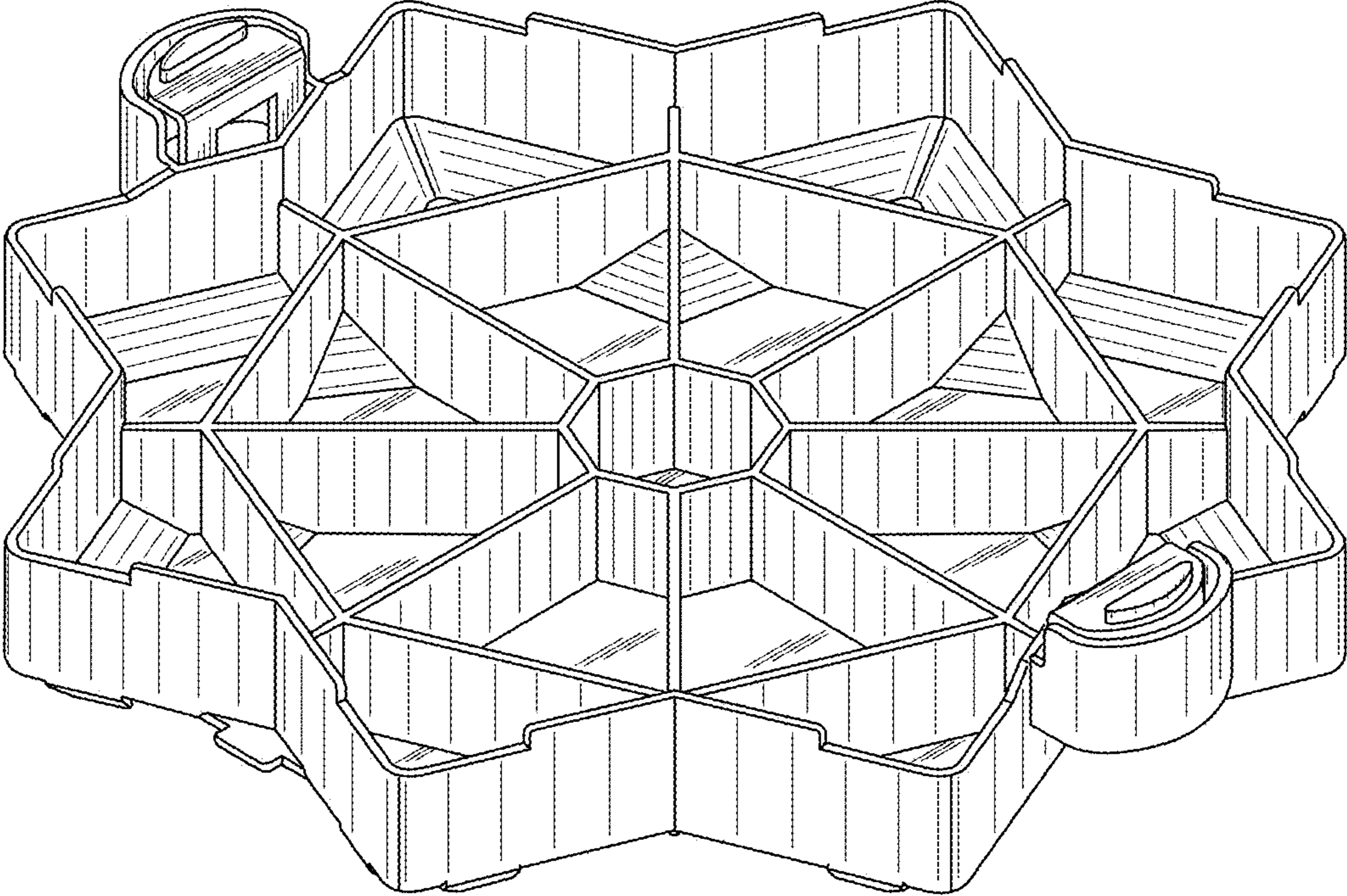


FIG. 2

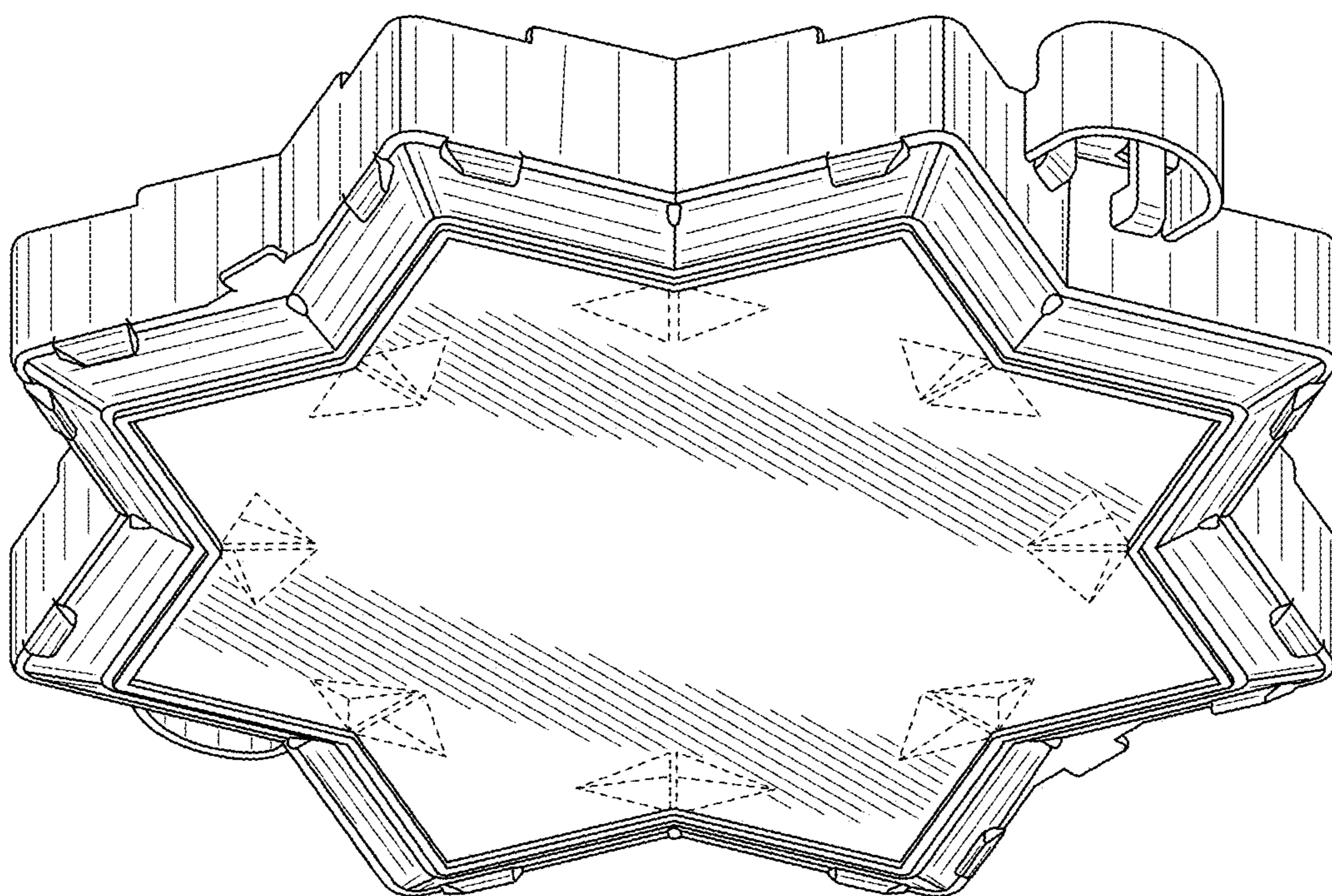


FIG. 3

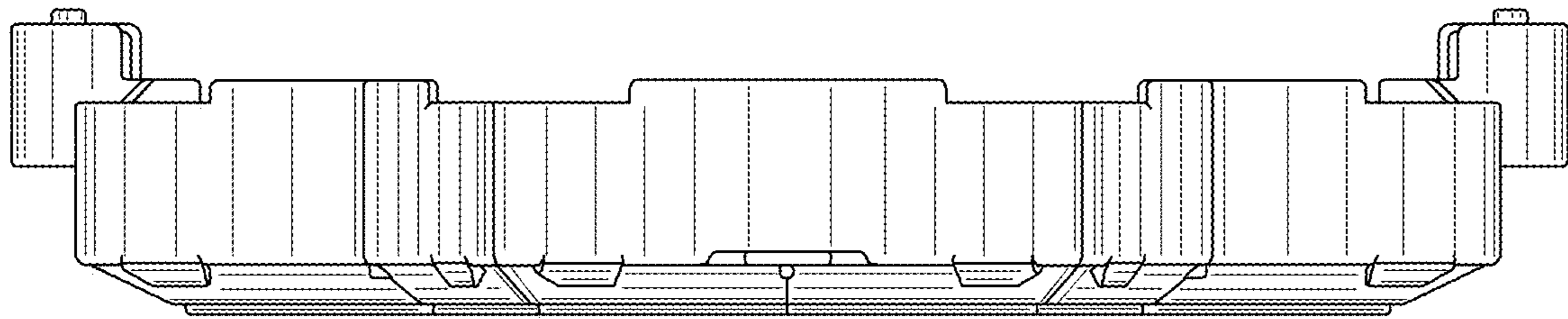


FIG. 4

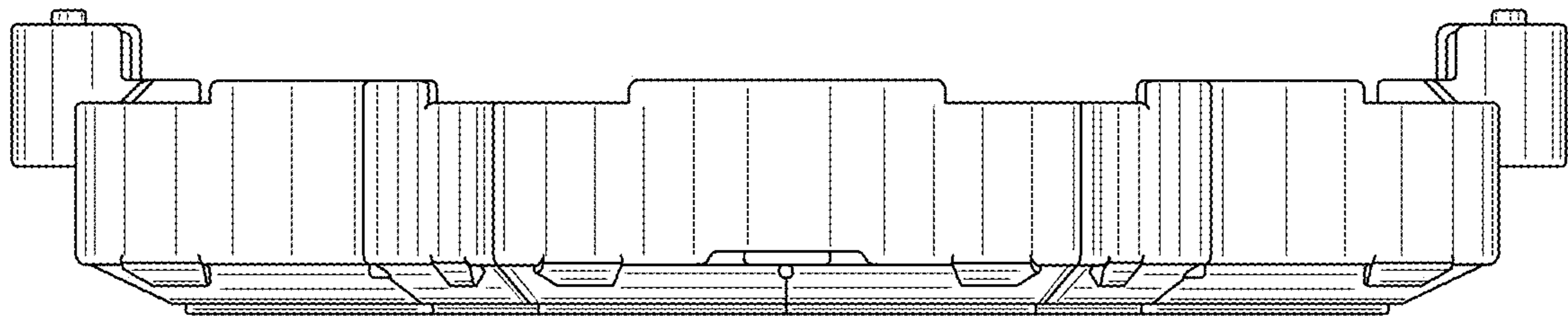


FIG. 5

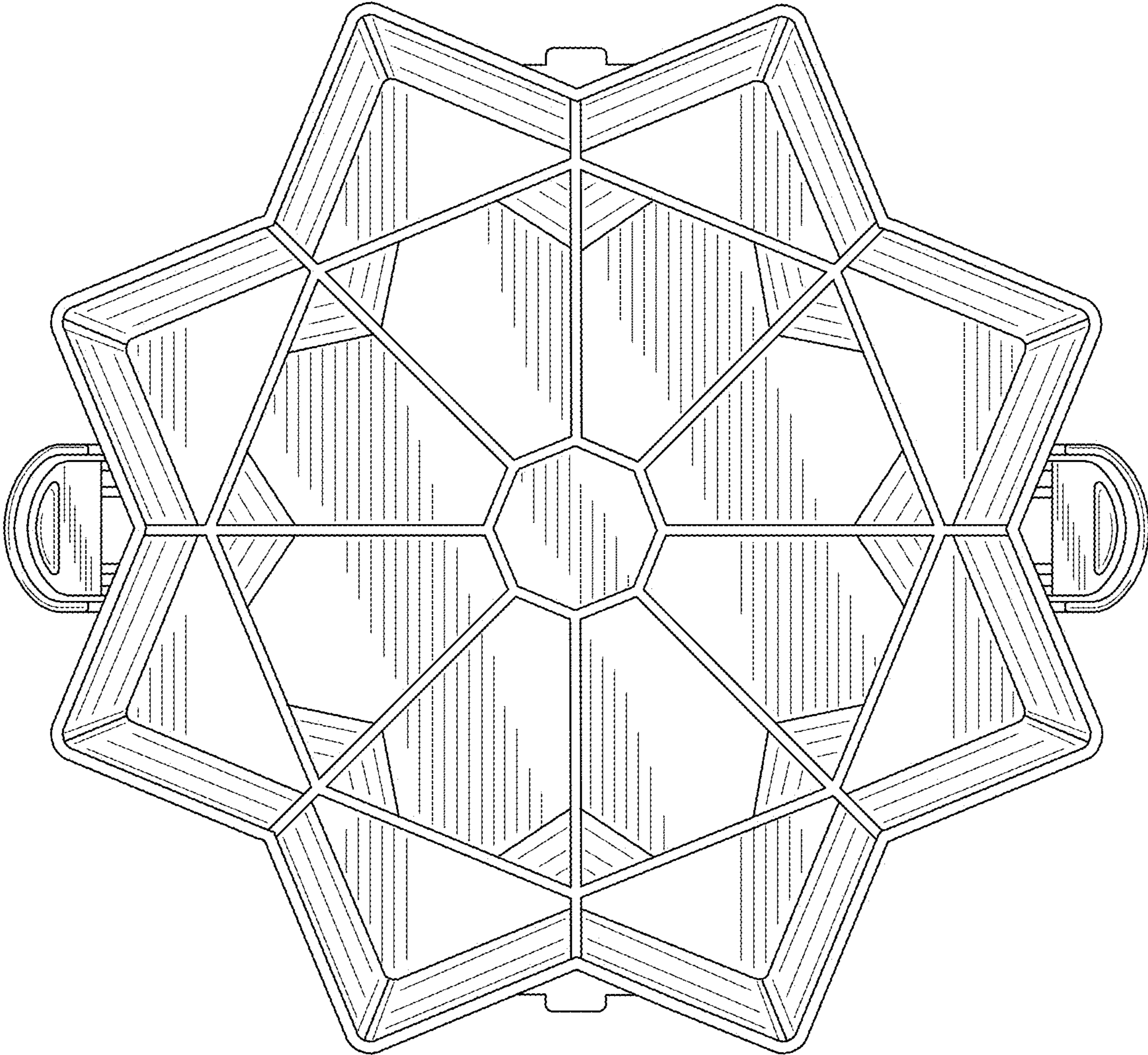


FIG. 6

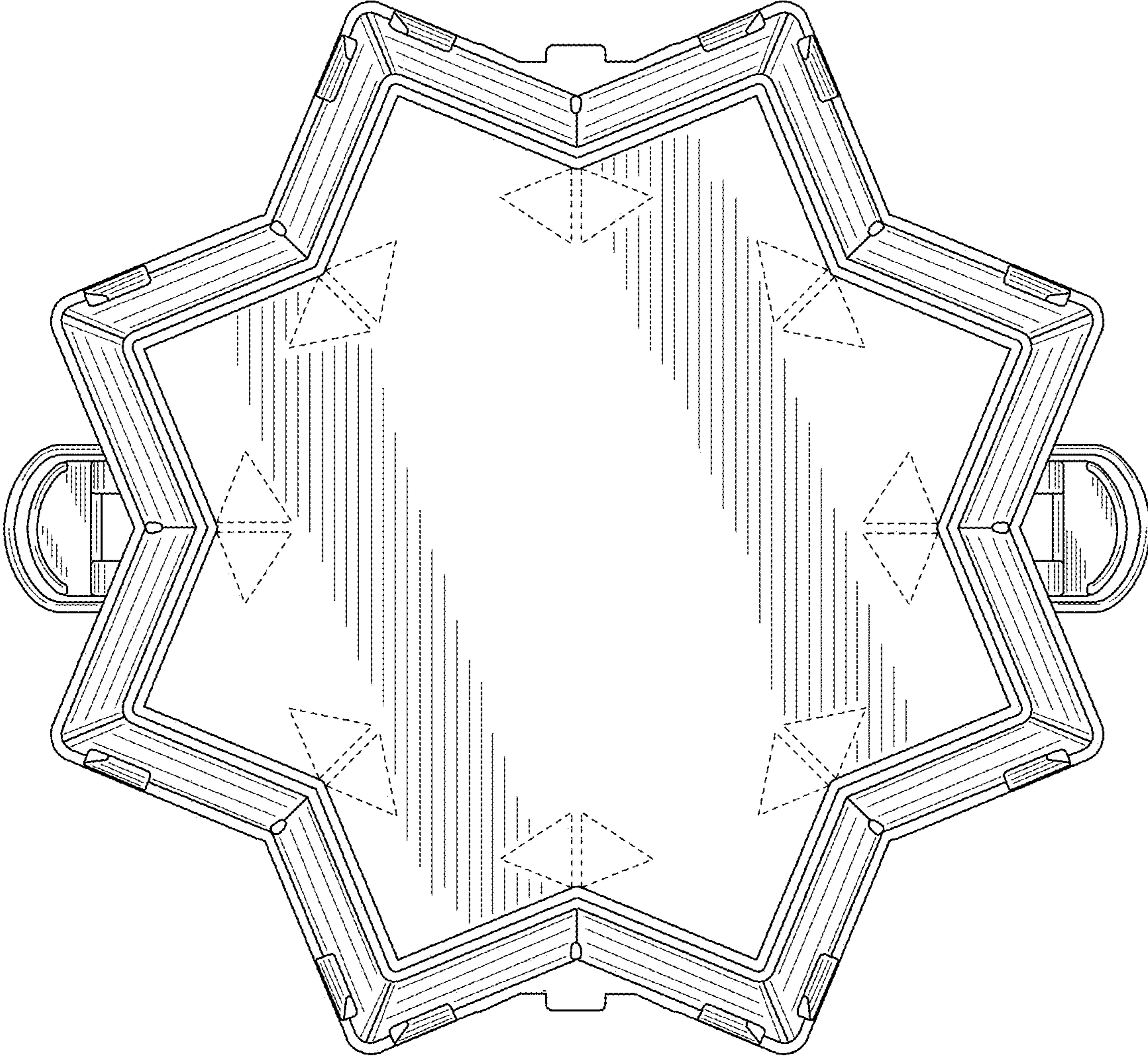


FIG. 7

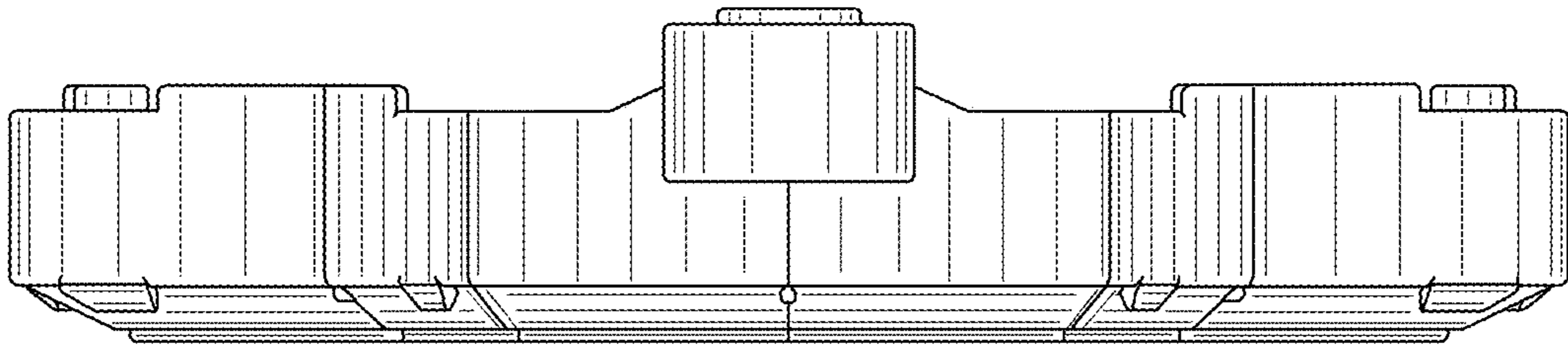


FIG. 8

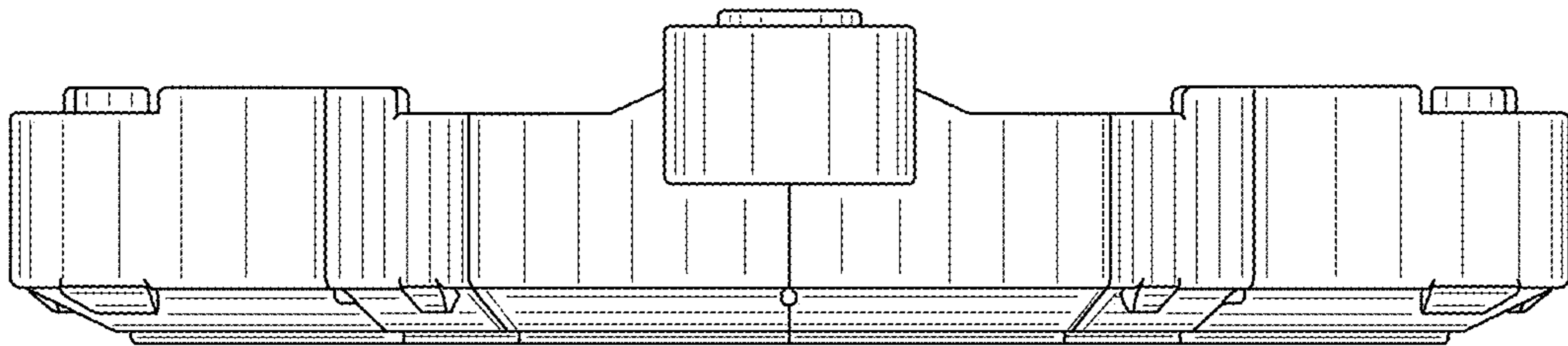


FIG. 9

