



US00D915770S

(12) **United States Design Patent** (10) **Patent No.:** **US D915,770 S**
Breines (45) **Date of Patent:** **** Apr. 13, 2021**

(54) **GAMING BAG**

(71) Applicant: **Robert Breines**, Westlake Village, CA
(US)

(72) Inventor: **Robert Breines**, Westlake Village, CA
(US)

(**) Term: **15 Years**

(21) Appl. No.: **29/700,736**

(22) Filed: **Oct. 11, 2019**

(51) **LOC (13) Cl.** **03-01**

(52) **U.S. Cl.**

USPC **D3/285**; D3/289; D3/290

(58) **Field of Classification Search**

USPC D3/217, 226, 273, 276, 283, 289, 290,
D3/301, 900, 285

CPC A45C 11/00; A45C 3/001; A45C 13/02;
A45C 2013/026

See application file for complete search history.

(56) **References Cited**

U.S. PATENT DOCUMENTS

| | | | |
|--------------|---------|----------|--------|
| D278,190 S | 4/1985 | Ganz | |
| D299,587 S | 1/1989 | Thomas | |
| D305,798 S | 1/1990 | Say | |
| 4,961,522 A | 10/1990 | Weber | |
| D346,693 S | 5/1994 | Saltzman | |
| D355,761 S | 2/1995 | Campana | |
| D378,709 S | 4/1997 | Jacobs | |
| D387,906 S | 12/1997 | Petty | |
| D398,083 S | 9/1998 | Martz | |
| D419,763 S | 2/2000 | Wiebe | |
| D444,271 S | 6/2001 | Farrugia | |
| D465,086 S | 11/2002 | Watts | |
| D465,134 S | 11/2002 | Joss | |
| D465,328 S | 11/2002 | Hassett | |
| D467,073 S | 12/2002 | Hassett | |
| D467,074 S | 12/2002 | Hillman | |
| D468,101 S * | 1/2003 | Hassett | D3/283 |
| D471,012 S * | 3/2003 | Peterson | D3/254 |

| | | | |
|--------------|---------|---------|--------|
| D472,379 S | 4/2003 | Hillman | |
| D472,380 S | 4/2003 | Hillman | |
| D473,051 S * | 4/2003 | Hassett | D3/263 |
| D474,601 S * | 5/2003 | Li | D3/285 |
| D476,480 S | 7/2003 | Hillman | |
| D478,420 S * | 8/2003 | Li | D3/287 |
| D481,204 S | 10/2003 | Rada | |
| D481,541 S | 11/2003 | Domotor | |

(Continued)

OTHER PUBLICATIONS

Amazon, "ENHANCE Tabletop RPG Adventurer's Bag—Dungeons & Dragons Travel Bag . . .", First reviewed May 5, 2019. (<https://www.amazon.com/ENHANCE-Tabletop-RPG-Adventurers-Bag/dp/B07KJMP49F>) (Year: 2019).*

(Continued)

Primary Examiner — April Rivas

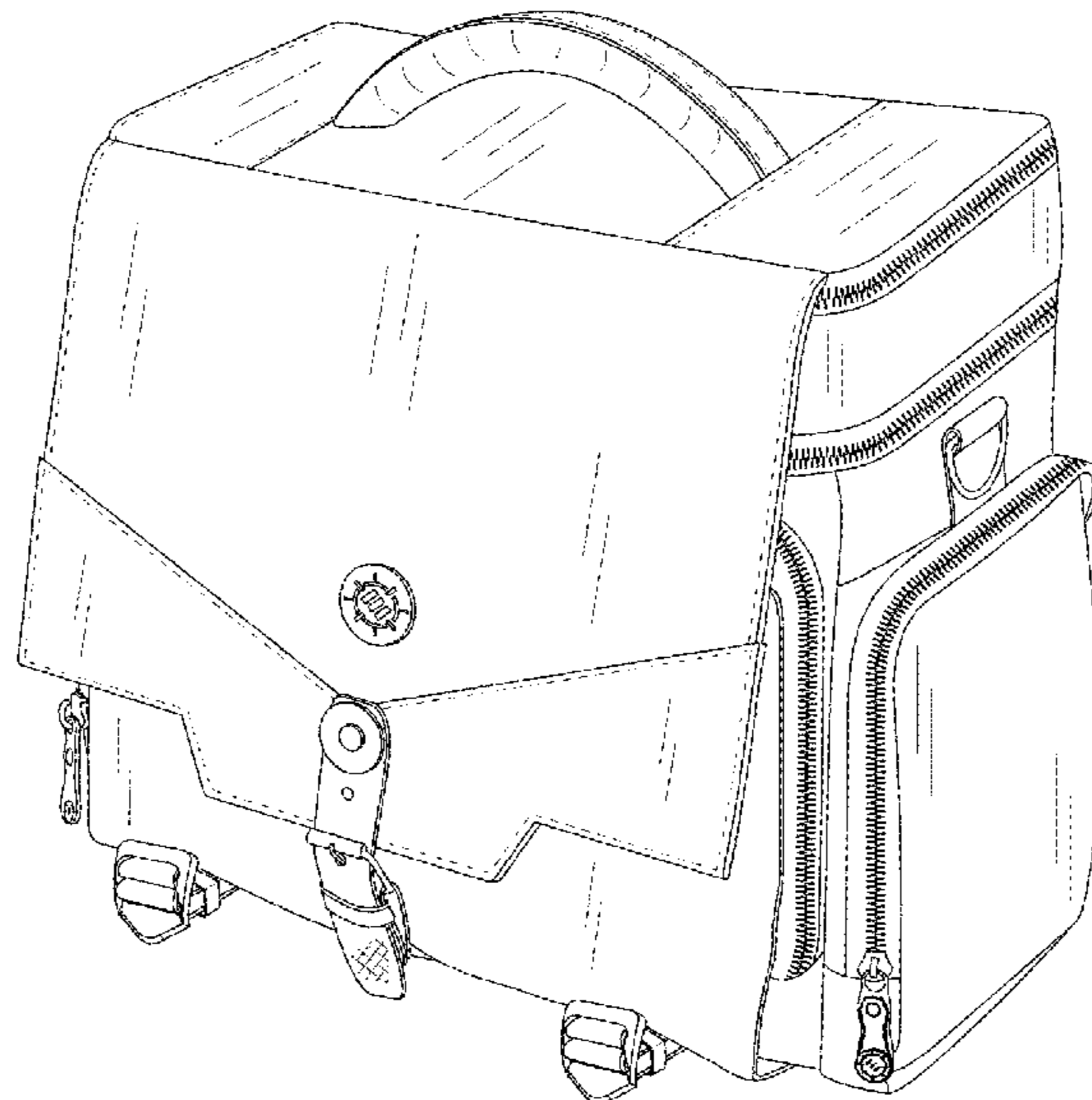
(57) **CLAIM**

I claim the ornamental design for a gaming bag, as shown and described.

DESCRIPTION

FIG. 1 is a perspective view of the gaming bag, showing the new design;
FIG. 2 is a perspective view thereof, illustrated with the upper compartment in an open position;
FIG. 3 is a perspective view thereof, illustrated with the lower compartment in an open position;
FIG. 4 is a front elevational view thereof;
FIG. 5 is a rear elevational view thereof;
FIG. 6 is a top plan view thereof;
FIG. 7 is a bottom plan view thereof;
FIG. 8 is a right-side elevational view thereof; and,
FIG. 9 is a left-side elevational view thereof.
The broken lines in the figures represent stitching and are part of the claimed design.

1 Claim, 5 Drawing Sheets



(56)

References Cited

U.S. PATENT DOCUMENTS

D482,525 S 11/2003 Fair
 D482,527 S 11/2003 Fair
 D486,031 S 2/2004 Hillman
 D488,926 S 4/2004 Domotor
 D490,242 S 5/2004 Hassett
 D500,594 S 1/2005 Zapata
 D514,317 S 2/2006 Conforti
 D520,745 S * 5/2006 Hussaini D3/283
 D526,120 S 8/2006 Lee
 D526,484 S 8/2006 Flint
 D530,089 S * 10/2006 Silverman D3/287
 D534,353 S 1/2007 Hsieh
 D548,408 S 8/2007 Martz
 D560,069 S 1/2008 Greiner
 D572,469 S 7/2008 Morelli
 D575,461 S 8/2008 Cannon
 D581,663 S 12/2008 Gonzalez
 D602,688 S 10/2009 Smith
 D614,867 S * 5/2010 Johnson D3/290
 D624,312 S * 9/2010 Chu D3/243
 D637,809 S 5/2011 Meldeau
 D651,794 S * 1/2012 Hargens D3/232
 D661,088 S 6/2012 Du
 D685,181 S 7/2013 Burns
 D691,796 S 10/2013 Stewart
 D692,661 S 11/2013 Gupton, Jr.
 D708,848 S 7/2014 Zwetzig
 D715,046 S 10/2014 Stewart
 D723,268 S 3/2015 Brown
 D723,269 S 3/2015 Brown
 D725,900 S 4/2015 McCue
 D725,908 S * 4/2015 Zwetzig D3/283
 D732,349 S 6/2015 Seiders
 D749,318 S 2/2016 LoNigro
 D758,719 S 6/2016 Harper

D762,978 S 8/2016 Boroski
 D765,967 S 9/2016 Boroski
 D766,571 S 9/2016 Boroski
 D775,821 S 1/2017 Gehry
 D776,921 S 1/2017 Bennetts
 D782,817 S 4/2017 Graves
 D794,325 S 8/2017 Tobias
 D817,635 S 5/2018 Carter
 D819,966 S 6/2018 Yu
 D828,027 S 9/2018 Chen
 D829,439 S 10/2018 McCune
 D830,053 S * 10/2018 Dumas D3/217
 D831,957 S 10/2018 Carter
 D833,736 S 11/2018 Voll
 D835,404 S 12/2018 Sassi
 D859,821 S 9/2019 Soulette
 D865,357 S 11/2019 Metzger
 D869,154 S 12/2019 Zeller
 D869,846 S * 12/2019 Liu D3/301
 D880,858 S 4/2020 Wang
 D882,949 S 5/2020 Wang
 D891,094 S 7/2020 Dumas
 D893,183 S 8/2020 Eisenhardt
 2003/0024960 A1 2/2003 Greenstein
 2004/0149600 A1 8/2004 Wolter
 2008/0302623 A1 12/2008 Gupton, Jr.
 2020/0178497 A1 6/2020 Friedgood

OTHER PUBLICATIONS

Amazon, "Travease Travel Bag Compatible with Dungeons and Dragons Accessories . . . ", First reviewed Dec. 1, 2020. (<https://www.amazon.com/dp/B08DV7JNP2>) (Year: 2020).*

Beast of War, "Battle Foam are Back With Many Ways to Keep Your Minis Safe", published Apr. 20, 2012. (<https://www.beastsofwar.com/battle-foam/battle-foam-ways-minis-safe/>) (Year: 2012).*

* cited by examiner

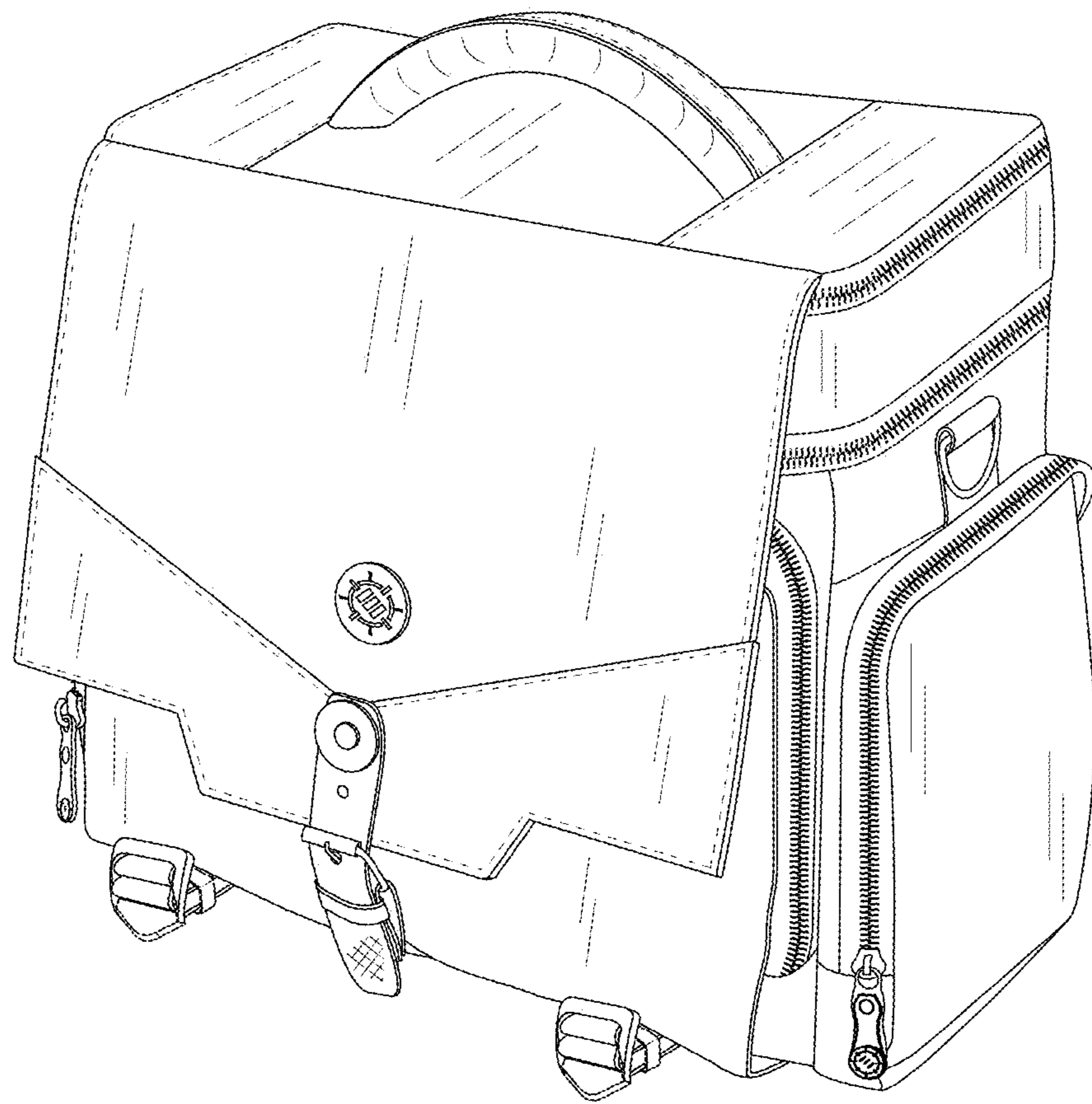


Fig. 1

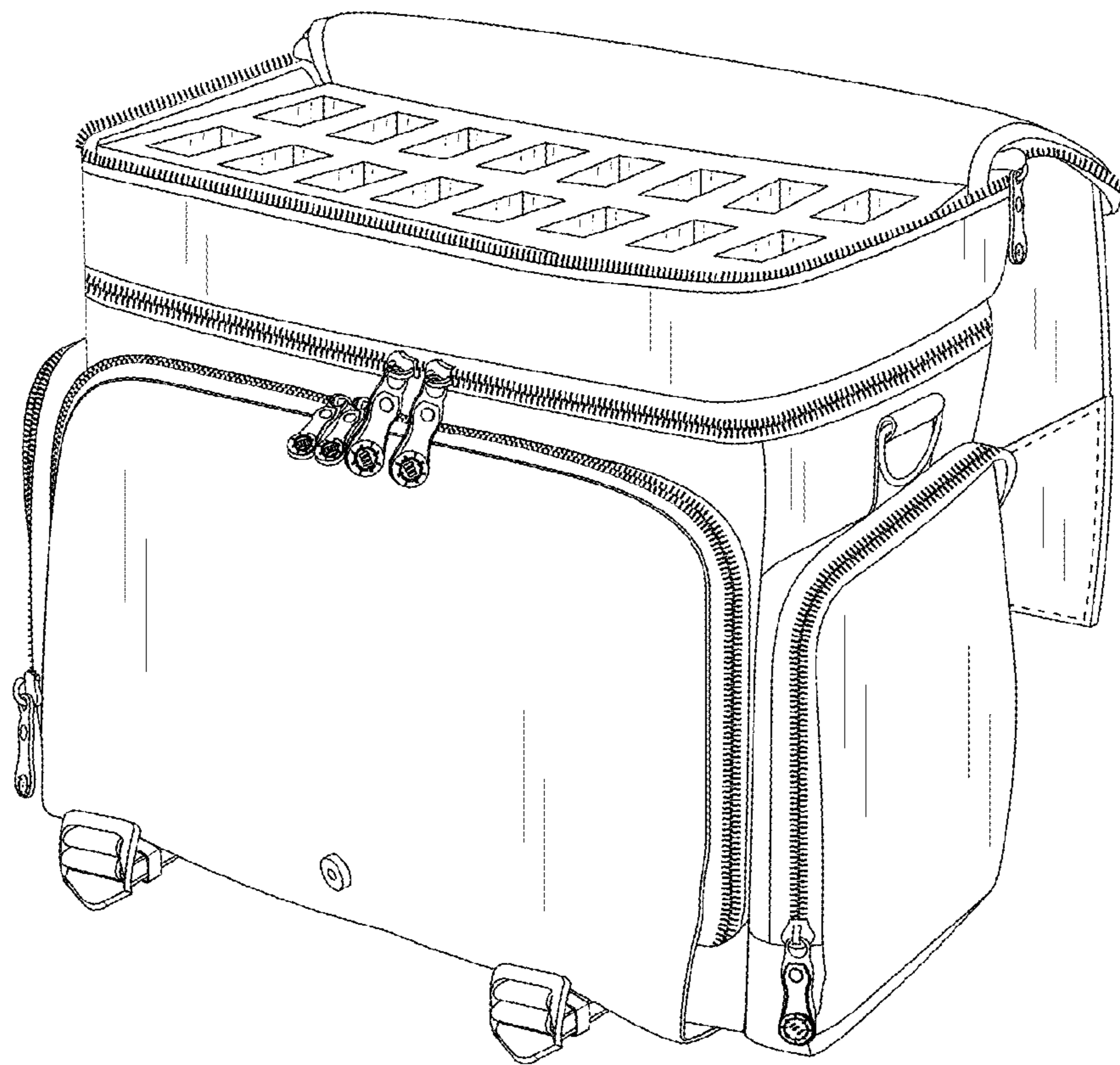


Fig. 2

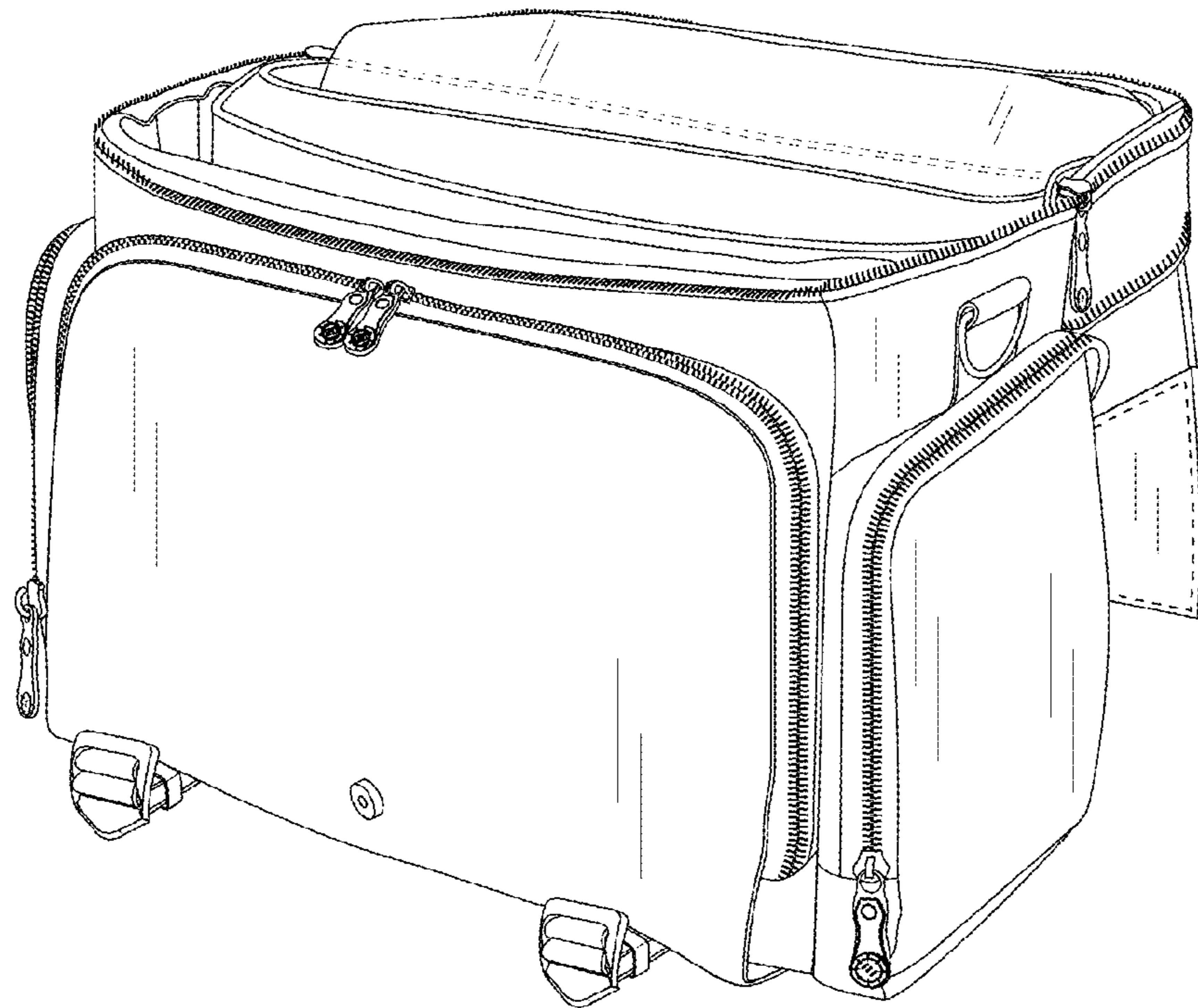


Fig. 3

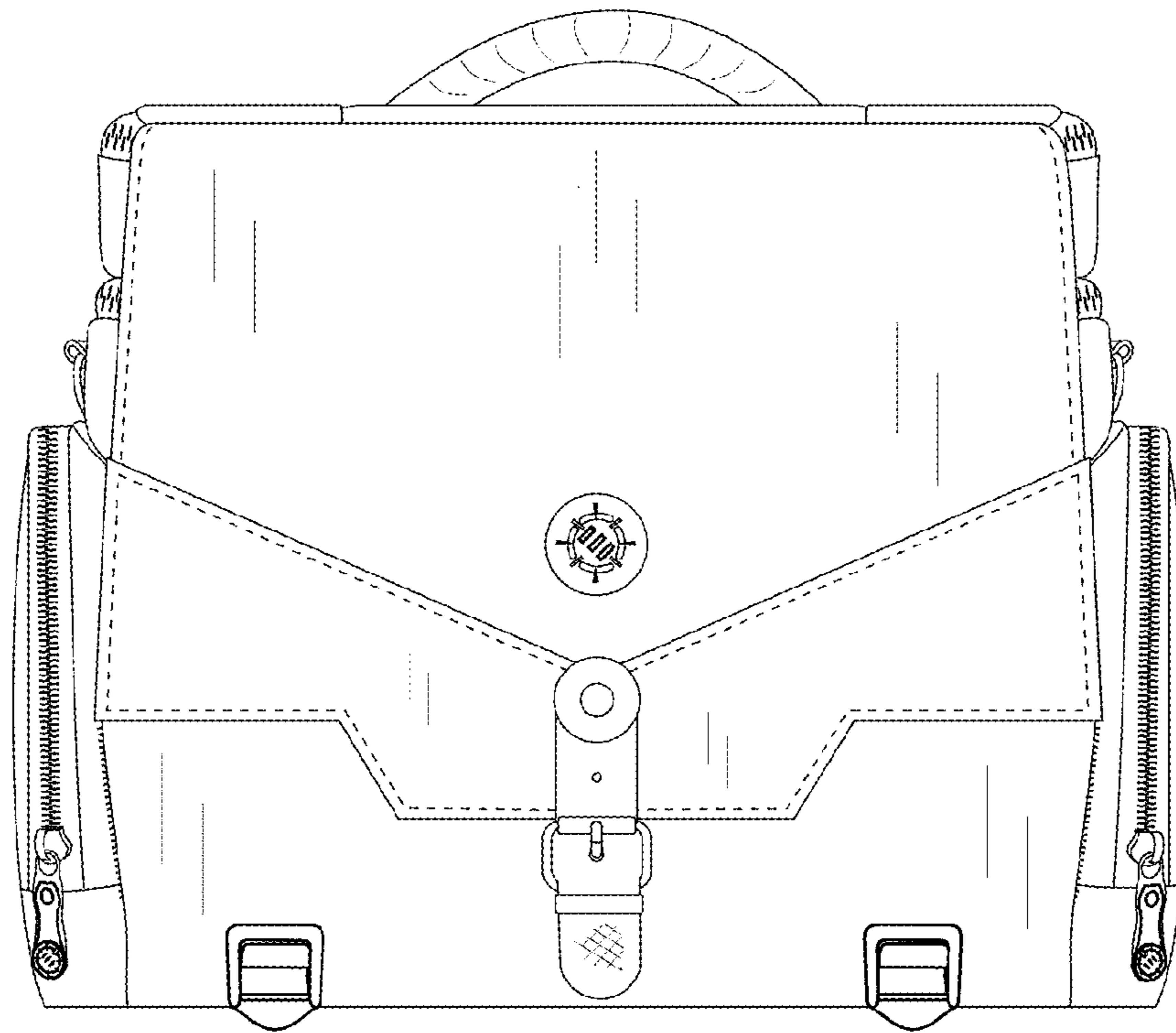


Fig. 4

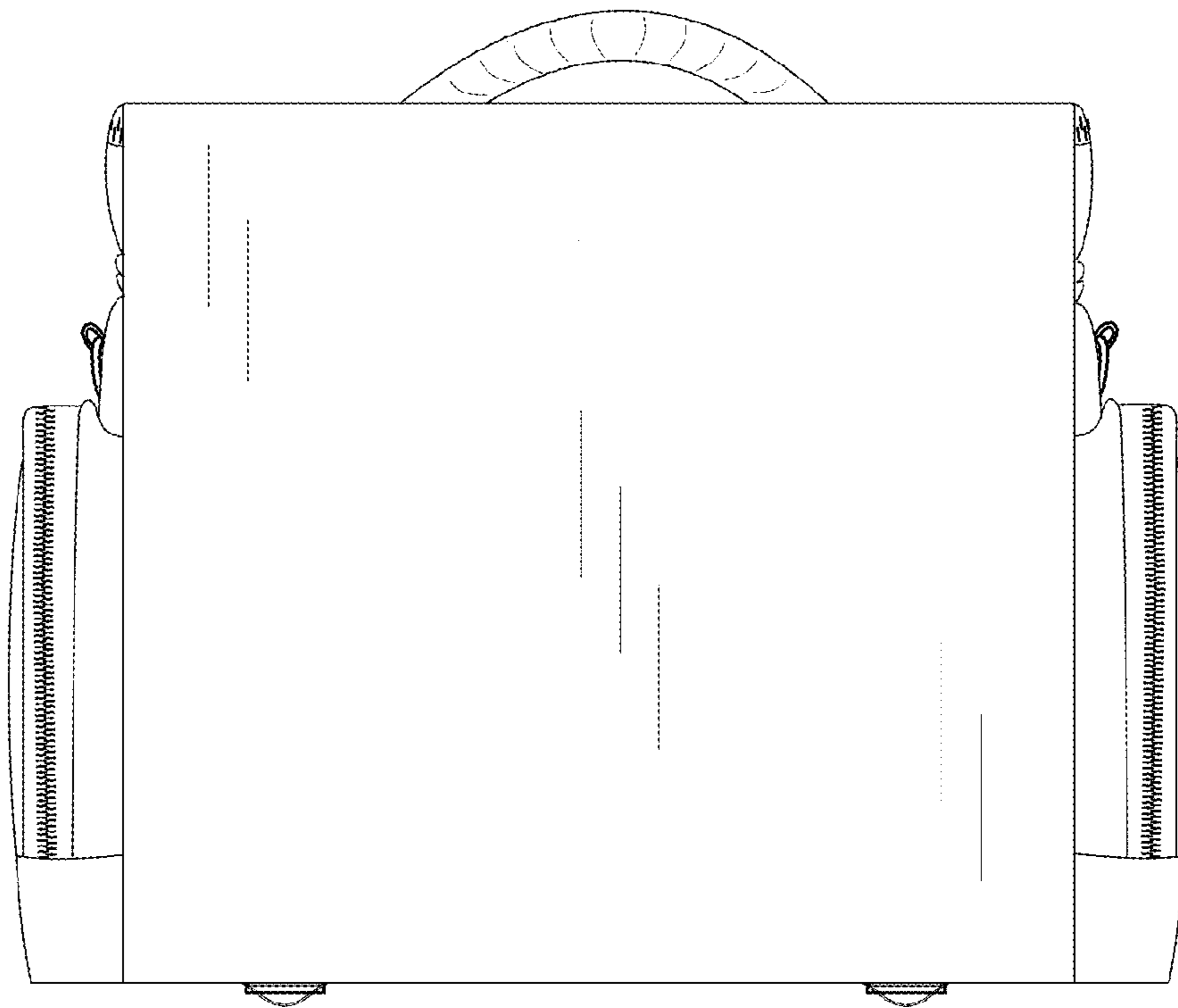


Fig. 5

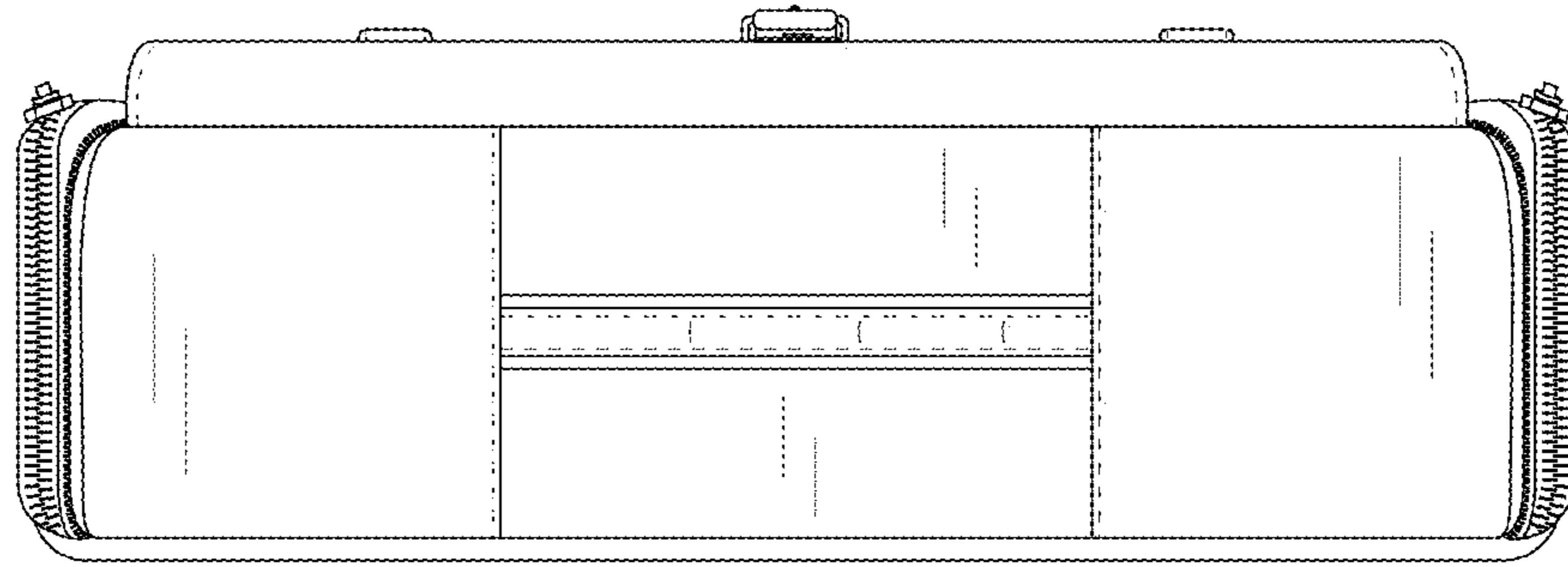


Fig. 6

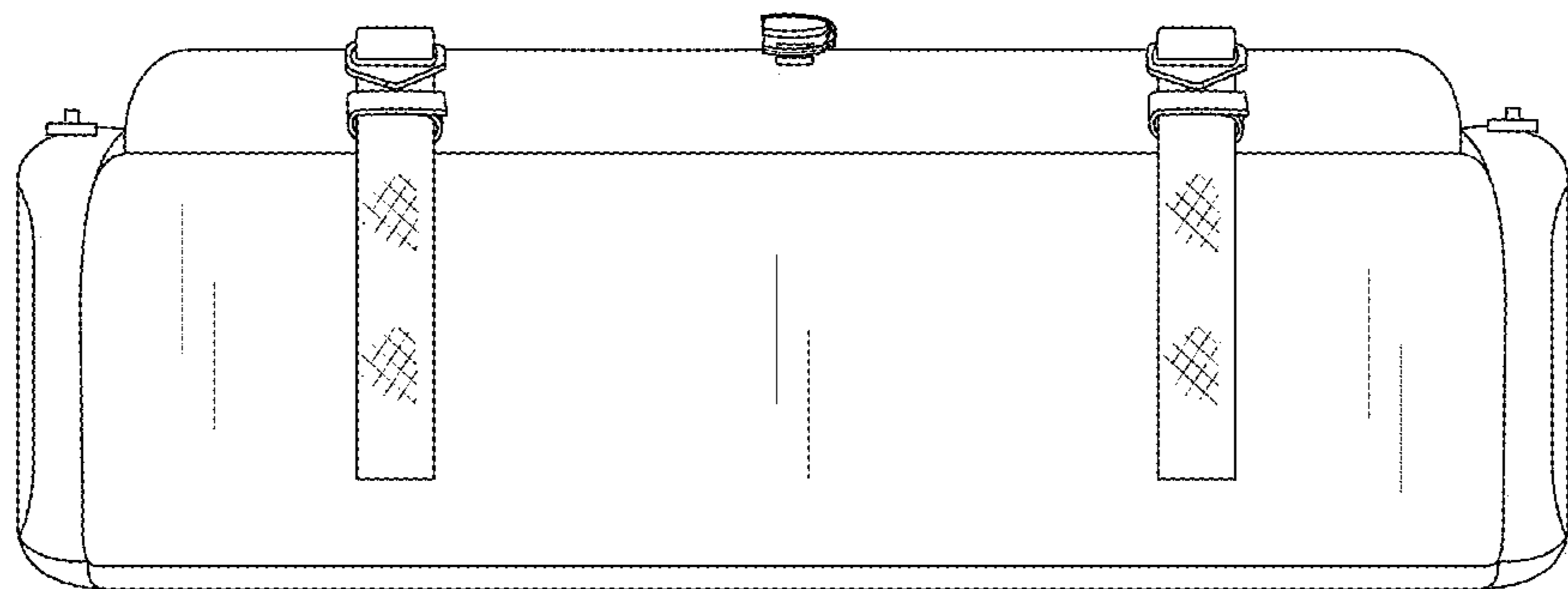


Fig. 7

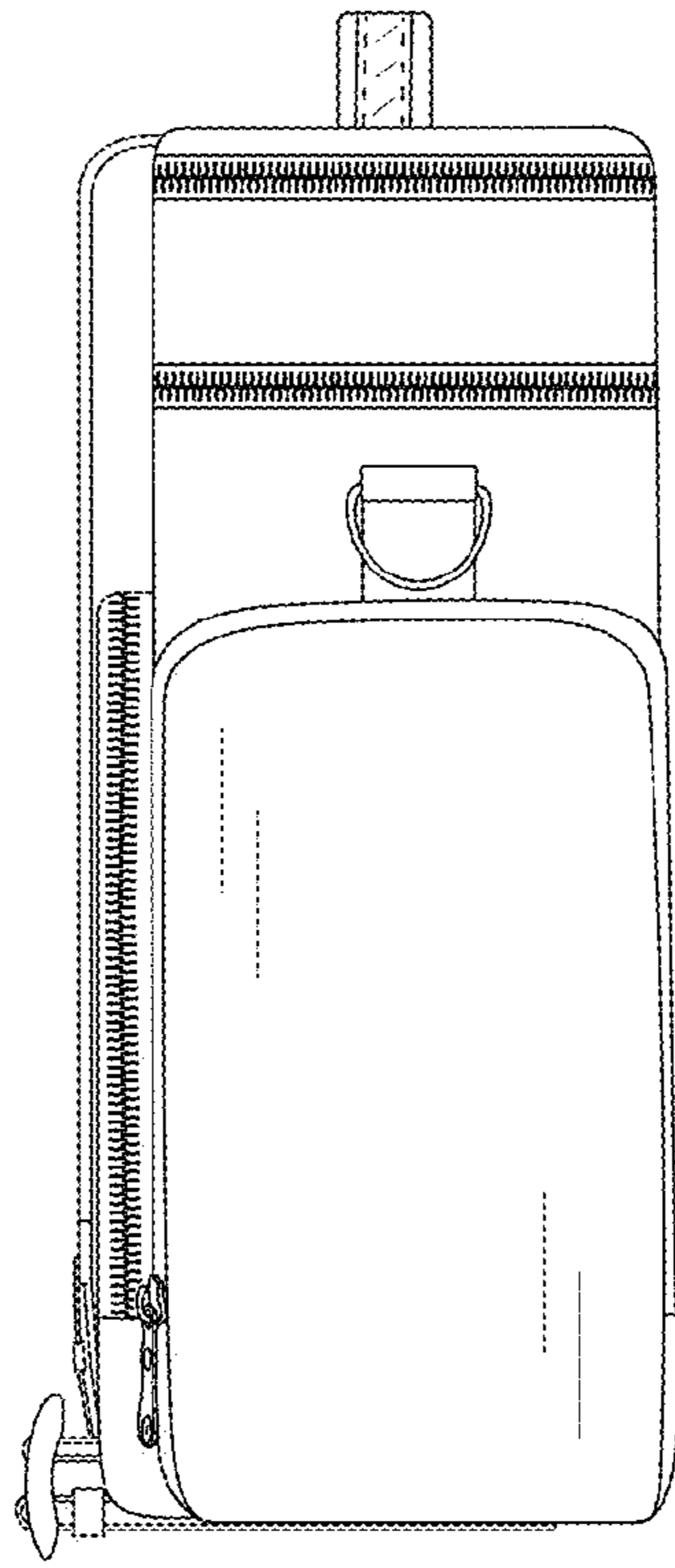


Fig. 8

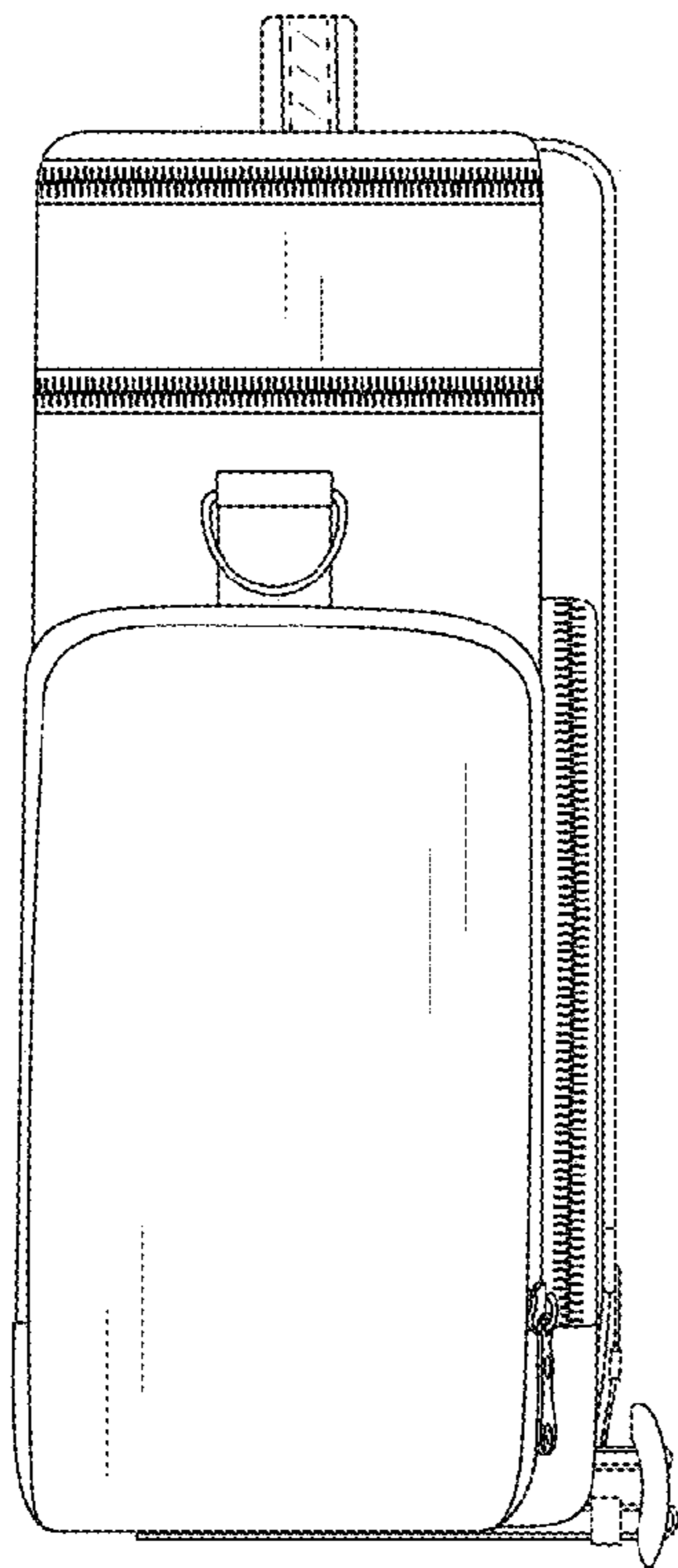


Fig. 9