



US00D915769S

(12) **United States Design Patent** (10) **Patent No.:** **US D915,769 S**
Wang (45) **Date of Patent:** **** Apr. 13, 2021**

(54) **CARRYING BAG**

- (71) Applicant: **XIAMEN XINGHENGXING IMPORT & EXPORT CO., LTD.**, Xiamen (CN)
- (72) Inventor: **Jiben Wang**, Xiamen (CN)
- (73) Assignee: **XIAMEN XINGHENGXING IMPORT & EXPORT CO., LTD.**, Xiamen (CN)
- (**) Term: **15 Years**
- (21) Appl. No.: **29/738,480**
- (22) Filed: **Jun. 17, 2020**
- (51) **LOC (13) Cl.** **03-01**
- (52) **U.S. Cl.**
USPC **D3/283; D3/289; D3/315; D7/605**
- (58) **Field of Classification Search**
USPC **D3/274, 276, 283, 289, 901, 287, 315; D7/601, 605**
CPC **A45C 11/00; A45C 13/02; A45C 2003/008**
See application file for complete search history.

(56) **References Cited**

U.S. PATENT DOCUMENTS

D370,599 S *	6/1996	Christopher	D3/287
D419,770 S *	2/2000	Mogil	D3/276
D449,441 S *	10/2001	Jackson	D3/276
7,153,025 B1 *	12/2006	Jackson	A45C 13/02 383/2
D627,606 S *	11/2010	Chuang	D7/601
D676,281 S *	2/2013	Mullen	D7/601
D725,908 S	4/2015	Zwetzig		
D741,661 S *	10/2015	Beatty	D7/601
D758,068 S	6/2016	Zwetzig		
D773,809 S *	12/2016	Lieser	D3/232
D789,752 S *	6/2017	Zmrhal	D7/607
D897,134 S *	9/2020	Wang	D6/610

OTHER PUBLICATIONS

Amazon, "HOMEST 2 Compartments Carry Bag Compatible with 8 Quart Instant Pot, These Pressure Cooker Travel Tote Bag Have Accessory Pockets for Spoon, Measuring Cup, Steam Rack, Grey", First on sale Nov. 6, 2019. (<https://www.amazon.com/dp/B08147M49F/>) (Year: 2019).*

Amazon, "HOMEST Slow Cooker Travel Bag with Easy to Clean Lining, Insulated Carrier with Zippered Accessory Pocket, Carry Case Compatible with Crock Pot 6-8 Quart (Patent Pending)", First on sale Nov. 21, 2019. (<https://www.amazon.com/dp/B081V78HTQ>) (Year: 2019).*

Shein, "1pc Geometric Elk Print Round Insulation Lunch Bag", First reviewed Sep. 19, 2020. (<https://us.shein.com/1pc-Geometric-Elk-Print-Round-Insulation-Lunch-Bag-p-1558099-cat-2322.html>) (Year: 2020).*

* cited by examiner

Primary Examiner — April Rivas

(57) **CLAIM**

The ornamental design for a carrying bag, as shown and described.

DESCRIPTION

FIG. 1 is a perspective view of a carrying bag showing my new design;

FIG. 2 is another perspective view thereof;

FIG. 3 is a front elevational view thereof;

FIG. 4 is a rear elevational view thereof;

FIG. 5 is a left side elevational view thereof;

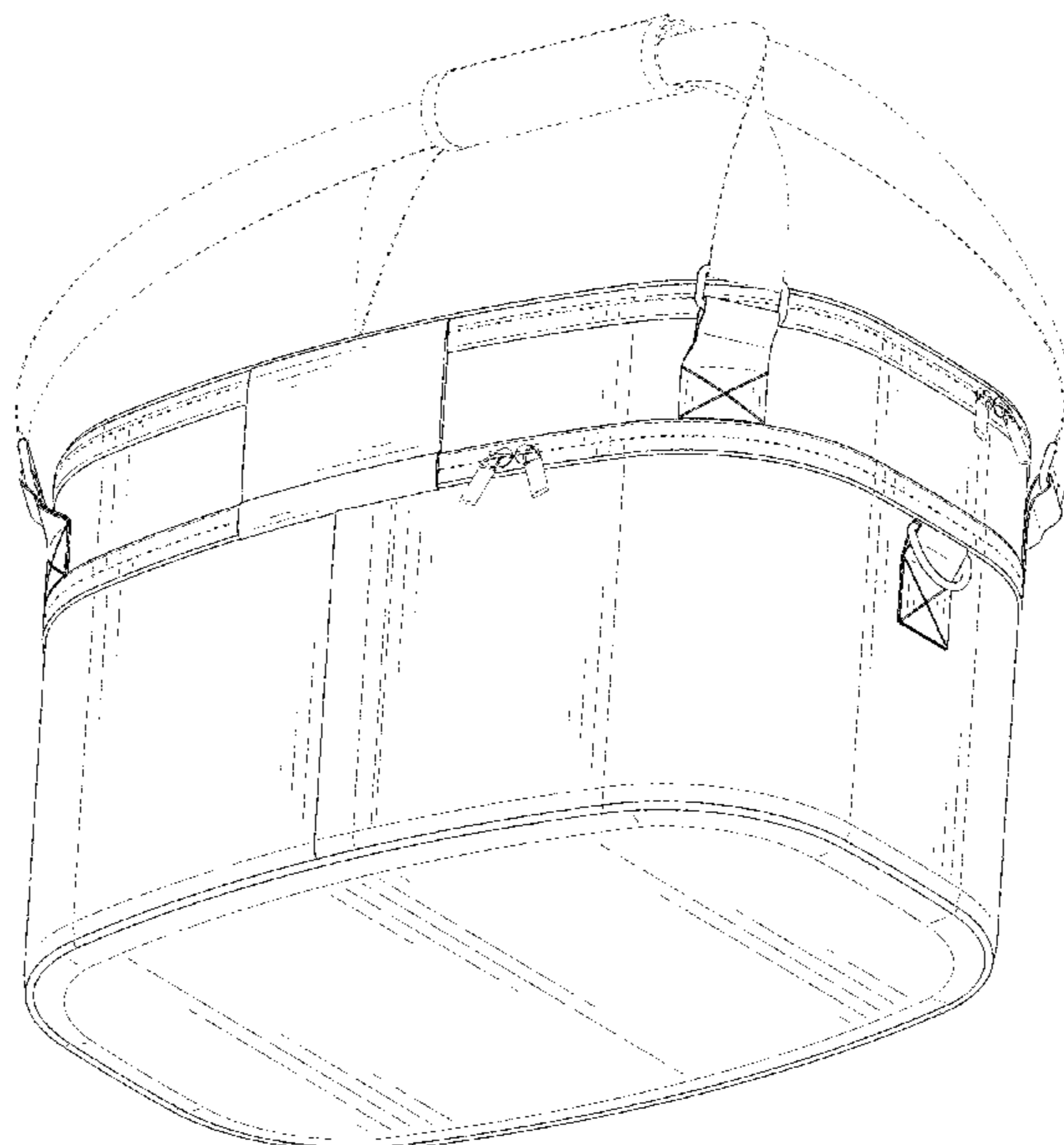
FIG. 6 is a right side elevational view thereof;

FIG. 7 is a top plan view thereof; and,

FIG. 8 is a bottom plan view thereof.

The broken lines in the drawings depict portions of the carrying bag that form no part of the claimed design.

1 Claim, 8 Drawing Sheets



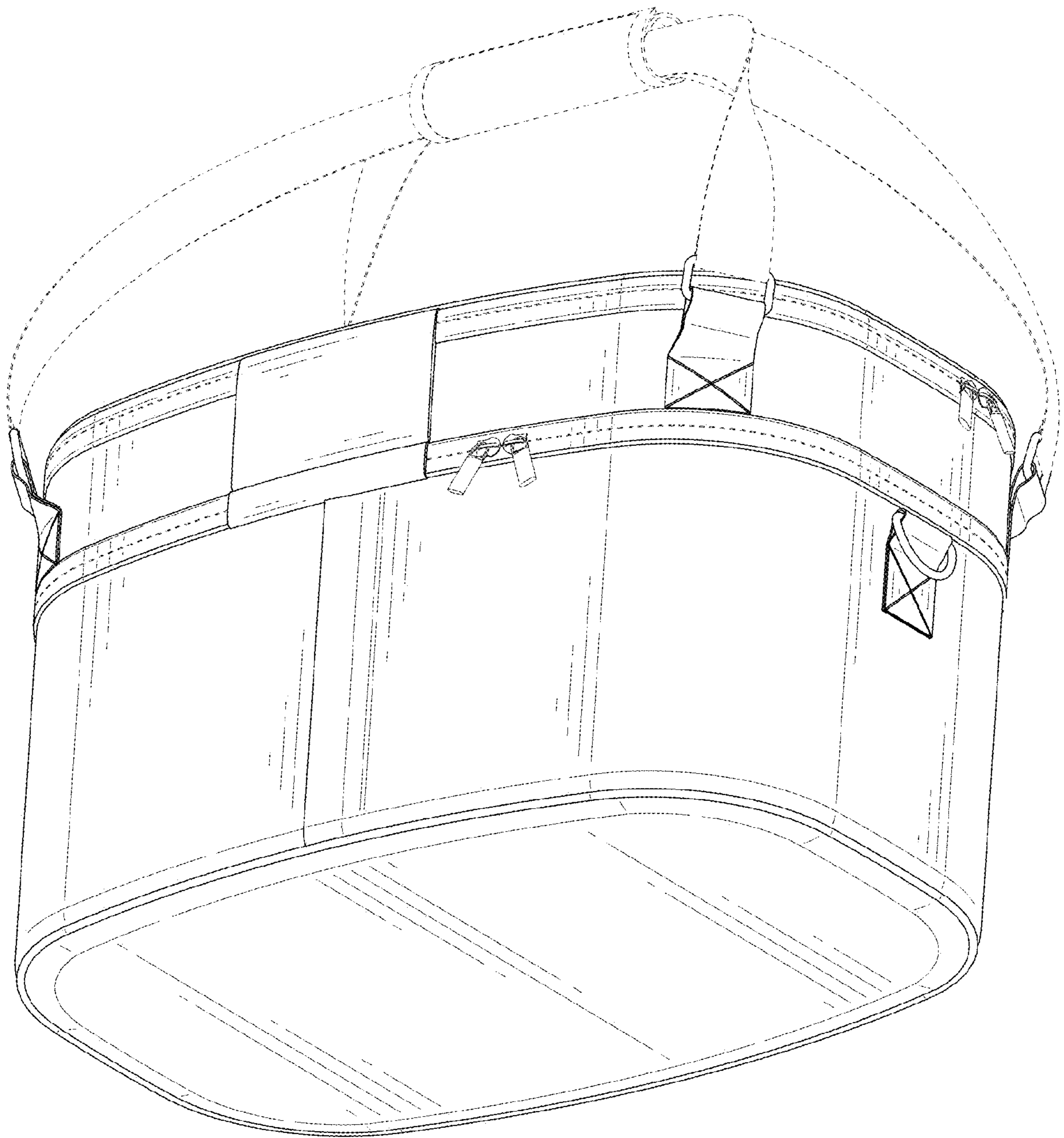


FIG. 1

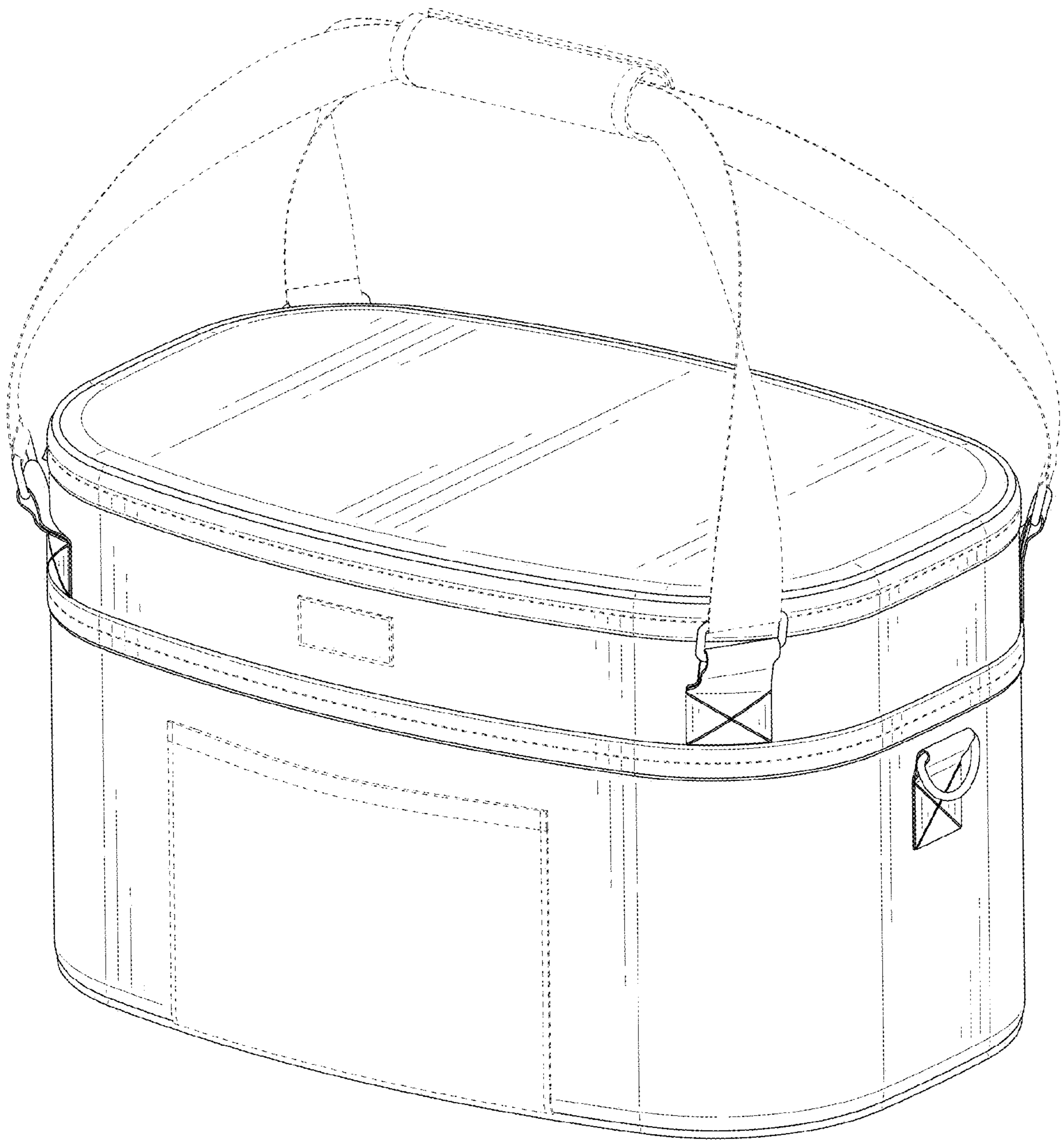


FIG. 2

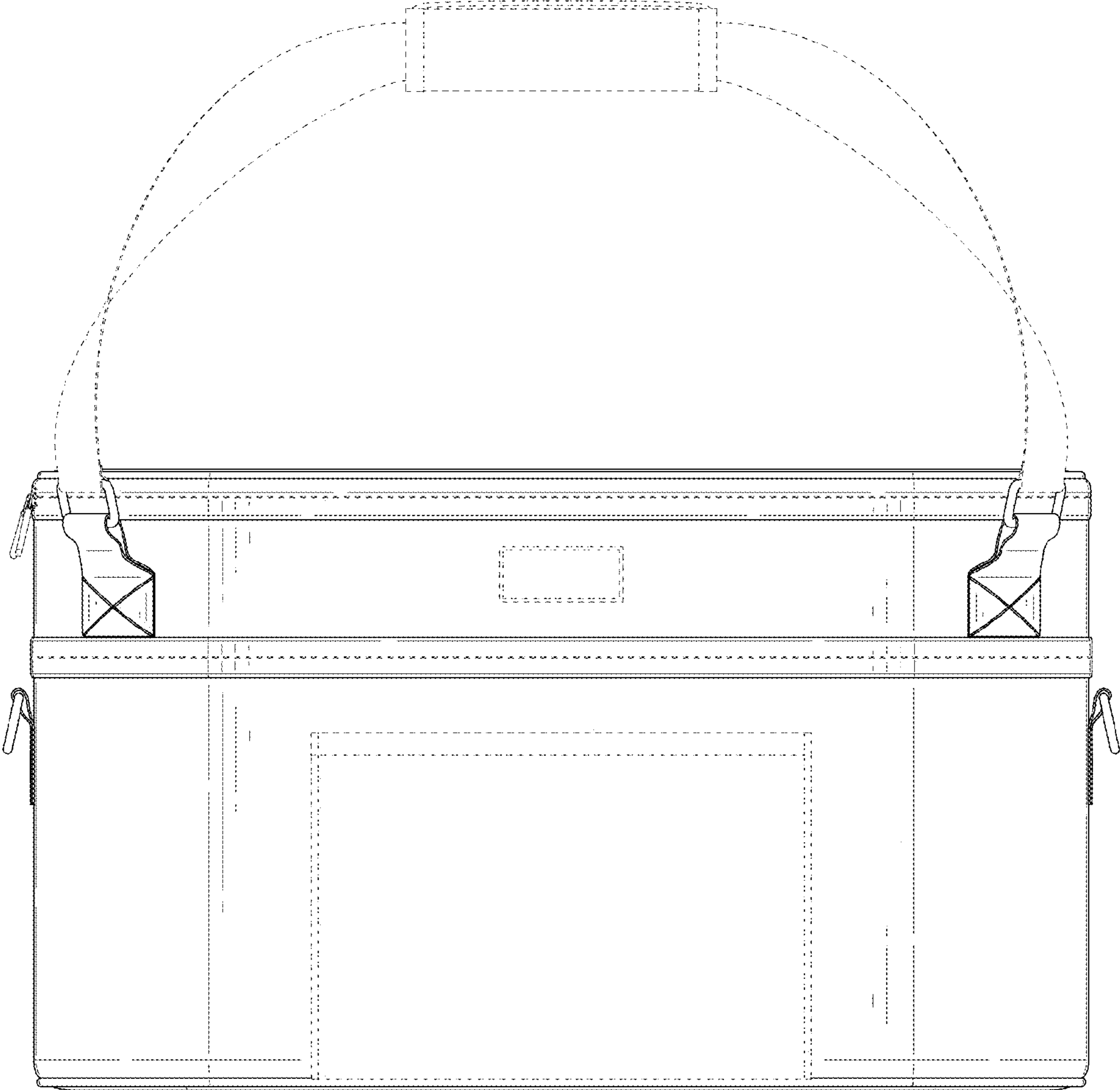


FIG. 3

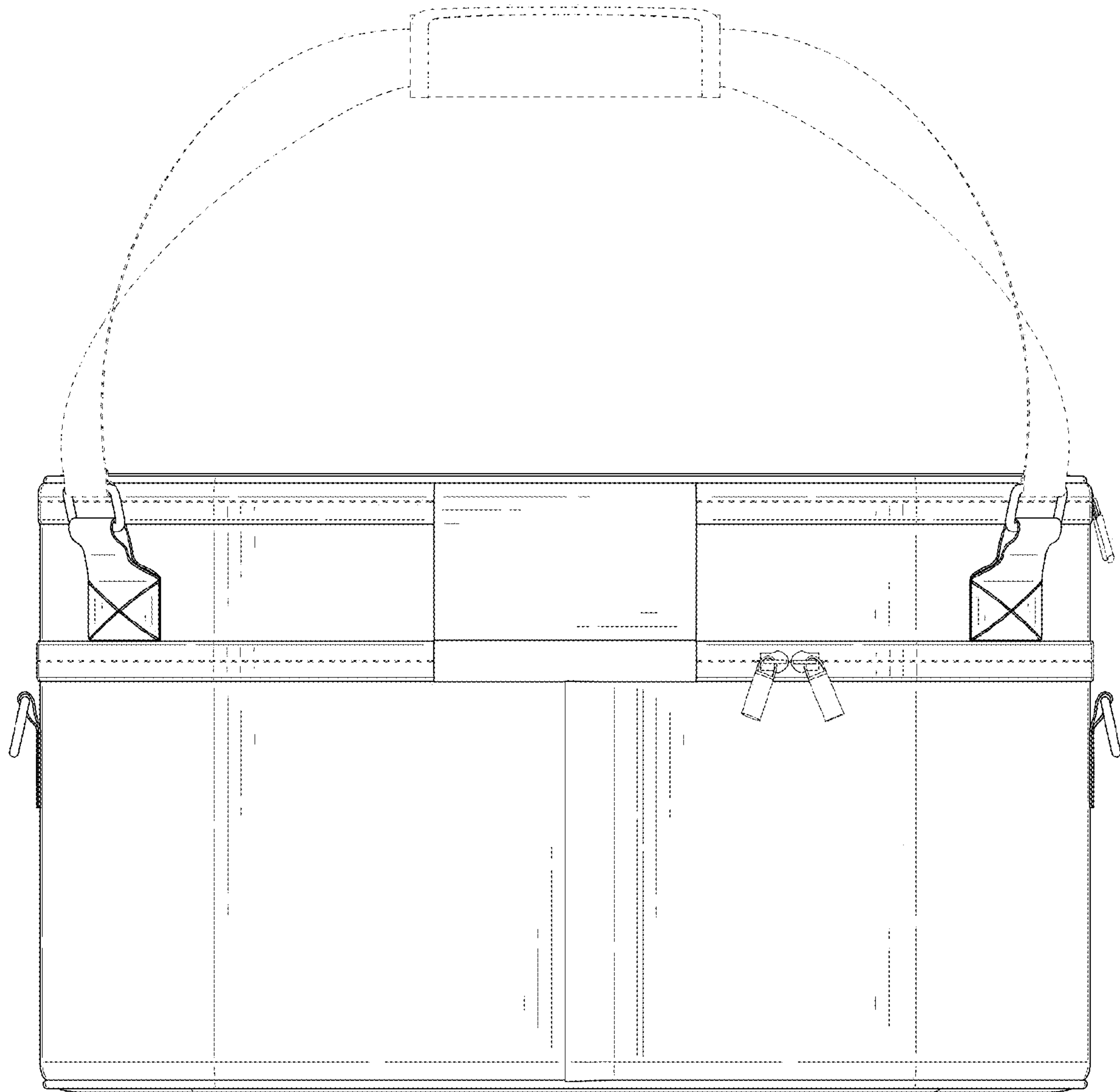


FIG. 4

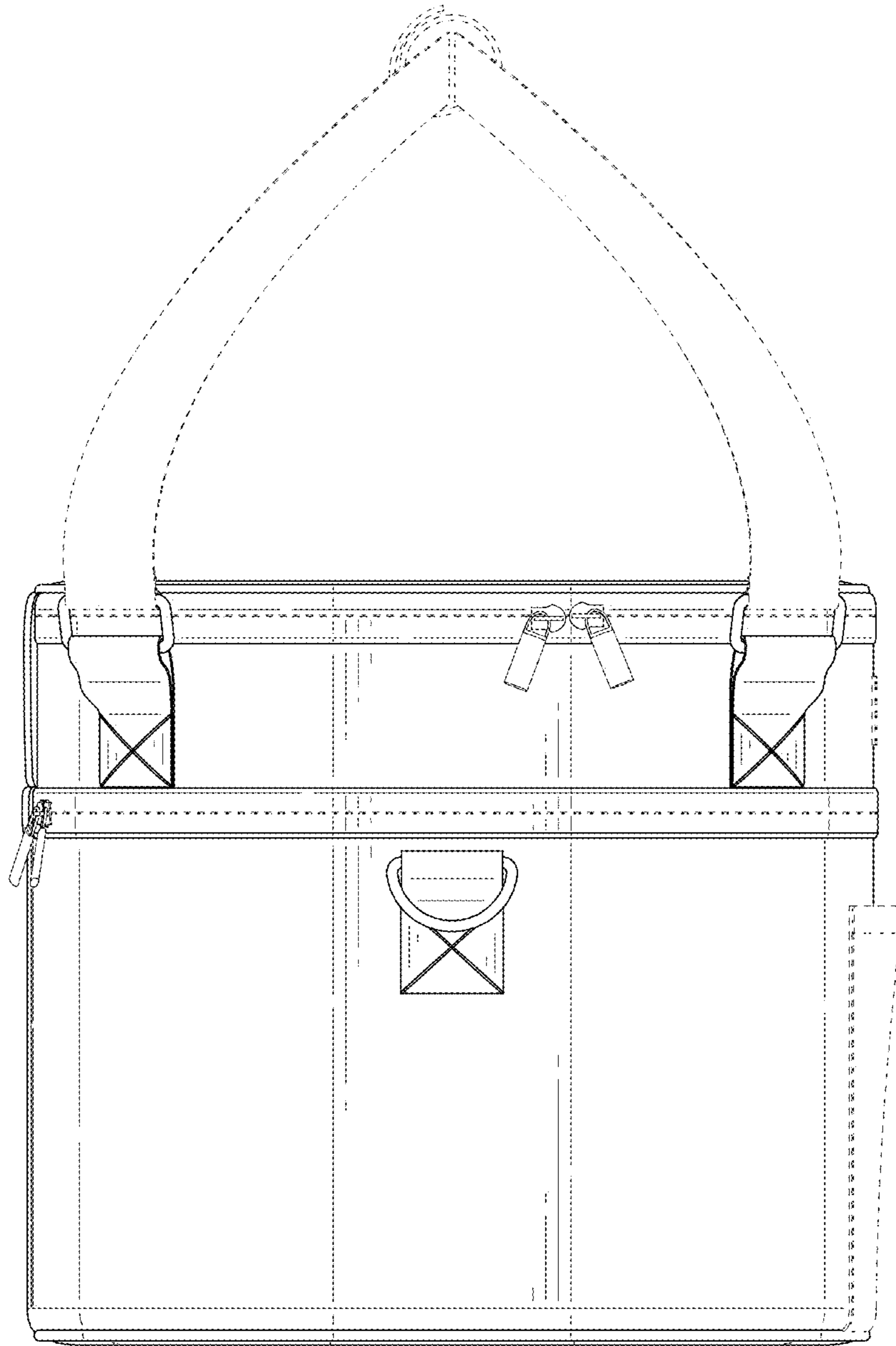


FIG. 5

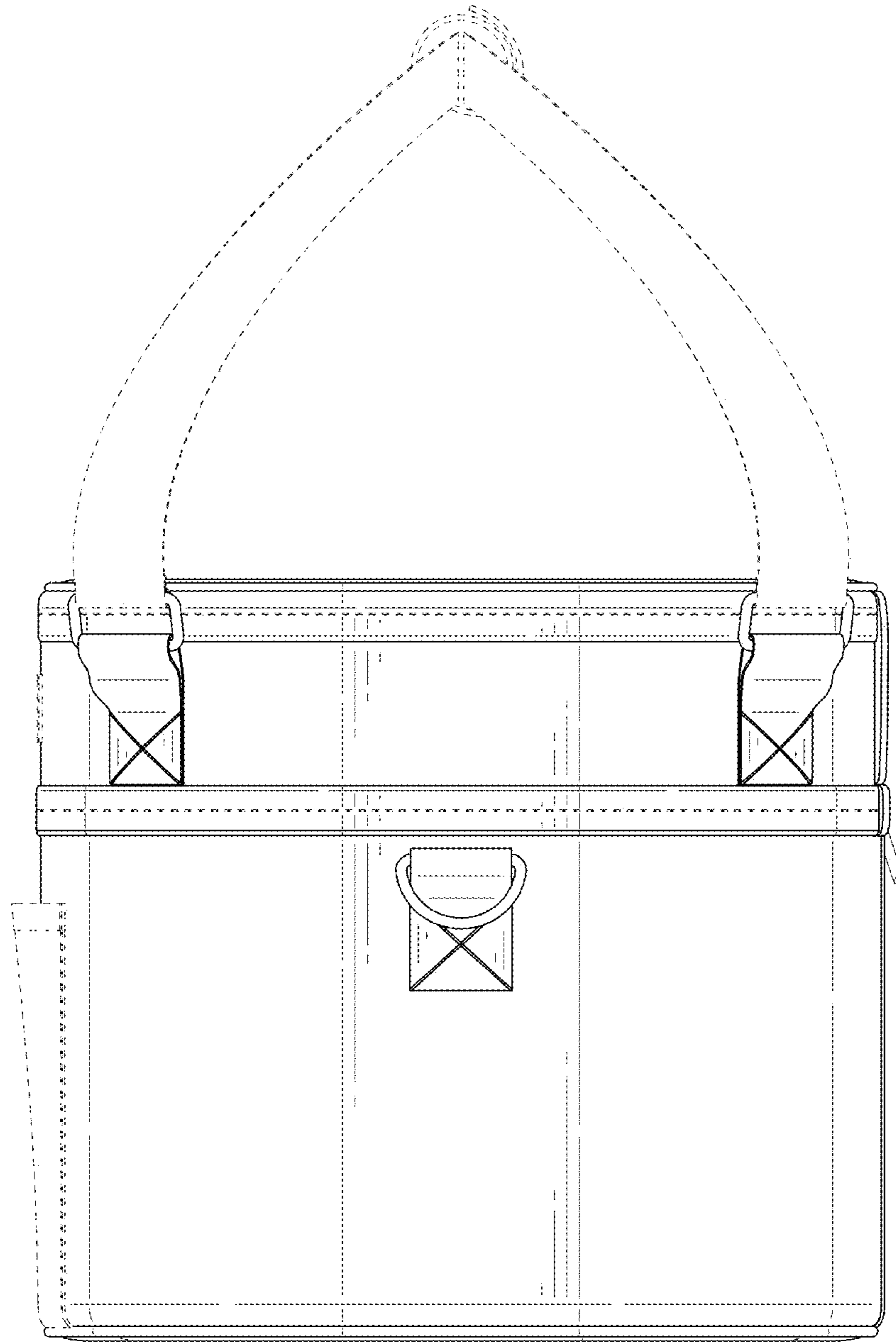


FIG. 6

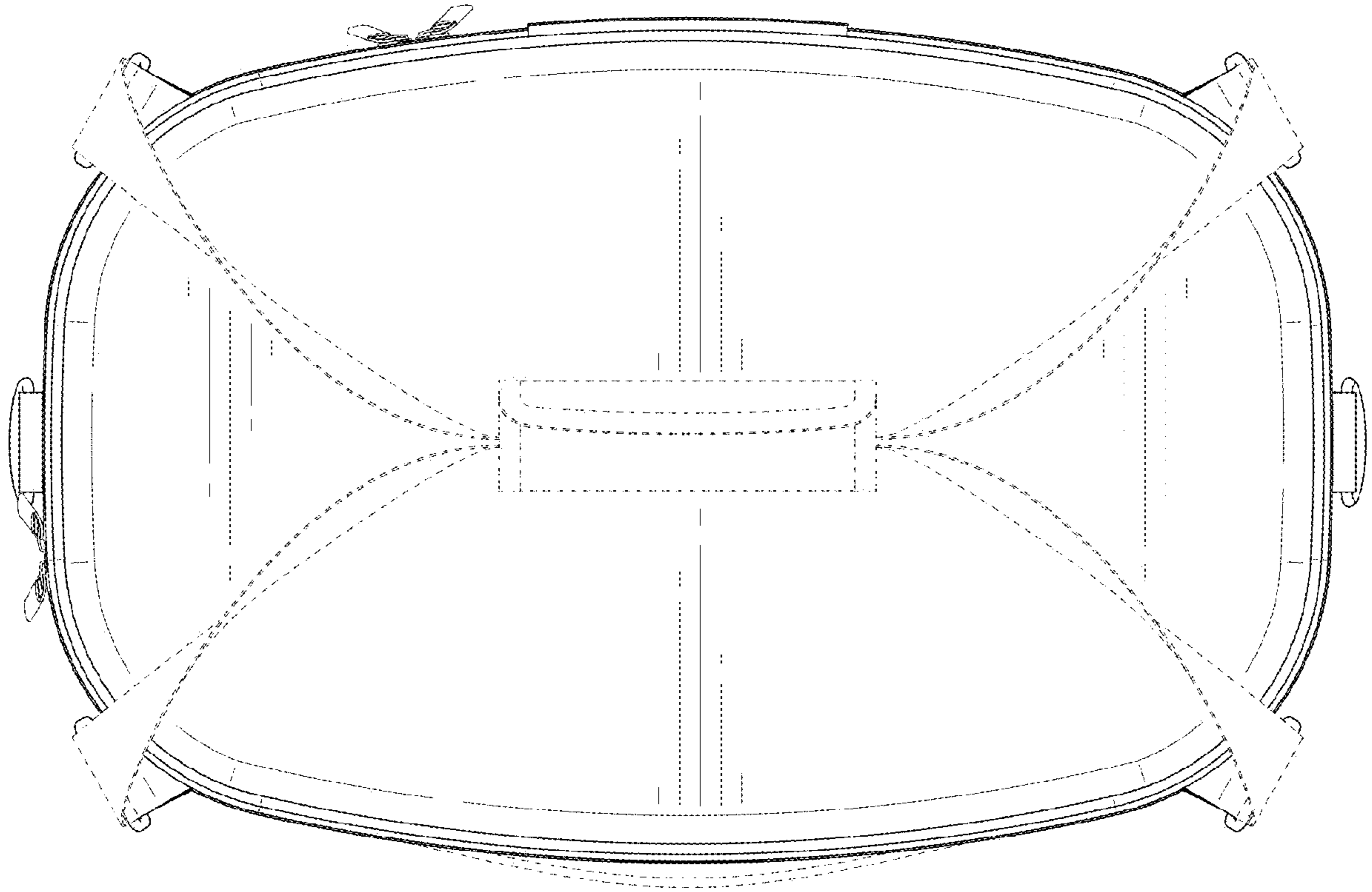


FIG. 7

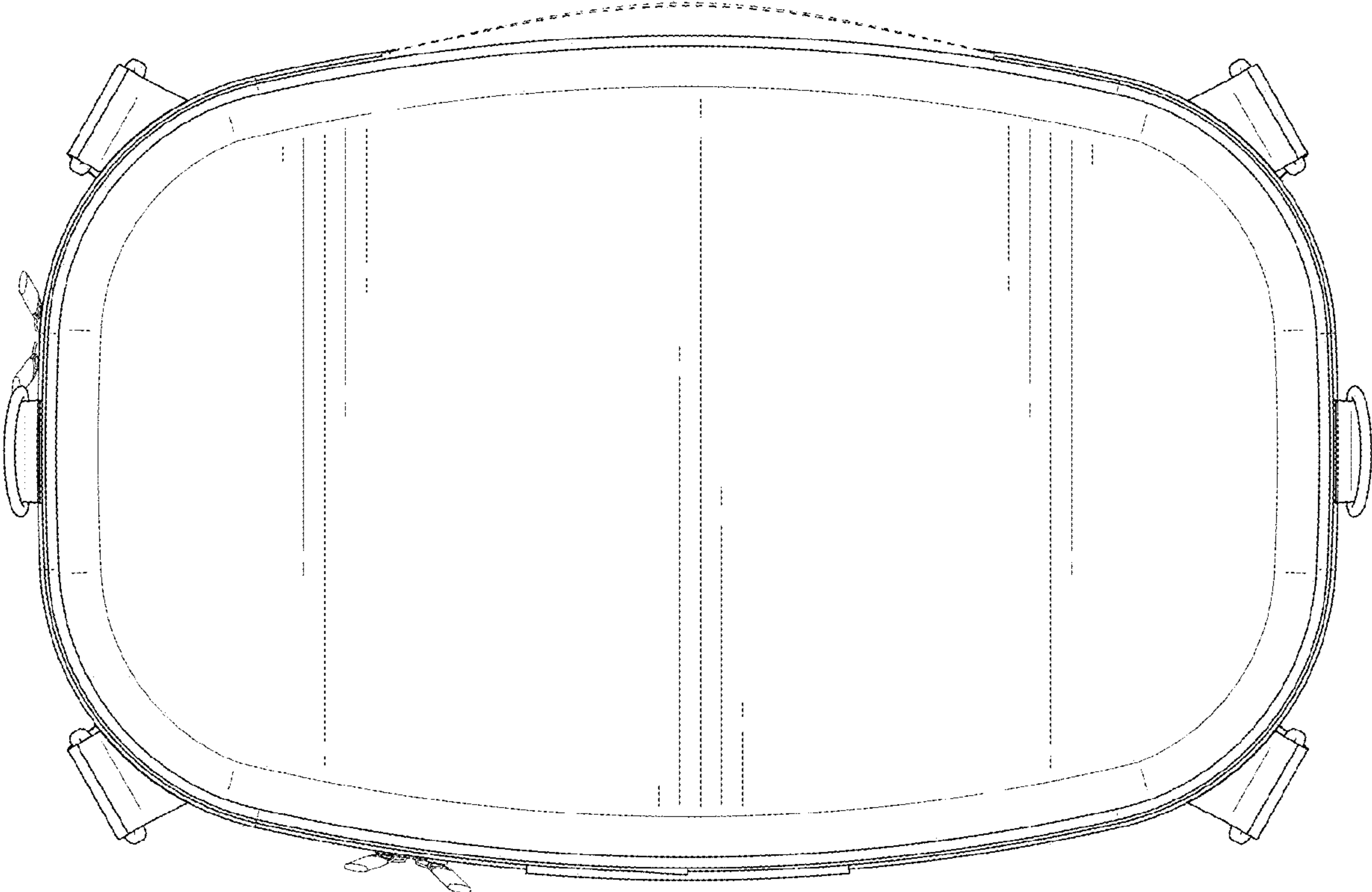


FIG. 8