



US00D915768S

(12) **United States Design Patent** (10) **Patent No.:** **US D915,768 S**
Lin (45) **Date of Patent:** **** Apr. 13, 2021**

(54) **TRAVEL DUFFEL BAG**
(71) Applicant: **Hangzhou Aike E-business Co., Ltd.**,
Hangzhou (CN)
(72) Inventor: **Zhijie Lin**, Yueqing (CN)
(**) Term: **15 Years**

D645,662 S * 9/2011 Perez D3/279
D778,049 S * 2/2017 Kogelnik D3/274
D873,090 S * 1/2020 Jacobsen D7/607
D880,858 S * 4/2020 Wang D3/287
D895,284 S * 9/2020 Sun D3/287
D906,671 S * 1/2021 McCullagh D3/278
D907,922 S * 1/2021 Dooling D3/283
2016/0206061 A1 * 7/2016 Ford A45C 7/0059

(Continued)

(21) Appl. No.: **29/701,039**
(22) Filed: **Aug. 8, 2019**
(51) **LOC (13) Cl.** **03-01**
(52) **U.S. Cl.**
USPC **D3/283; D3/287; D3/289**
(58) **Field of Classification Search**
USPC D3/216, 217, 254, 260, 262, 273, 276,
D3/283-290, 293-294, 299, 301, 315,
D3/904; D7/605, 607
CPC A45C 3/00; A45C 2003/007; A45C
2003/008; A45C 5/00; A45C 5/03; A45C
5/06; A45C 2005/032; A45C 2005/035;
A45C 2005/037; A45C 7/00; A45C
7/0059; A45C 7/0063; A45F 3/02; A45F
2200/05; A45F 2200/0591
See application file for complete search history.

OTHER PUBLICATIONS

Vogshow Travel Duffel Bag, 75L . . . , first available Sep. 22, 2020, amazon.com [online], [site visited Nov. 25, 2020], Available at internet URL: <https://www.amazon.com/Overnight-Weekender-Compartment-Convertible-Water-Resistant/dp/B08BP7MM1J> (Year: 2020).*

(Continued)

Primary Examiner — Jeffrey D Asch
Assistant Examiner — Caitlin Ann Laverty
(74) *Attorney, Agent, or Firm* — ZANIP

(57) **CLAIM**

The ornamental design for a travel duffel bag, as shown and described.

DESCRIPTION

FIG. 1 is a front and top perspective view of a travel duffel bag, showing my new design;
FIG. 2 is a back and bottom perspective view thereof;
FIG. 3 is a front view thereof;
FIG. 4 is a back view thereof;
FIG. 5 is a left side view thereof;
FIG. 6 is a right side view thereof;
FIG. 7 is a top view thereof; and,
FIG. 8 is a bottom view thereof.
The broken lines in the figures illustrate portions of the travel duffel bag that form no part of the claimed design.

1 Claim, 8 Drawing Sheets

(56) **References Cited**
U.S. PATENT DOCUMENTS

D281,646 S * 12/1985 Bomes D3/286
D281,649 S * 12/1985 Bomes D3/287
4,561,525 A * 12/1985 Shidner A45C 3/00
190/106
D314,276 S * 2/1991 Nordstrom D3/287
D317,081 S * 5/1991 King D3/287
D367,359 S * 2/1996 Smith D3/273
D447,667 S * 9/2001 Schneider D3/287
D523,243 S * 6/2006 Nashmy D3/285
D548,966 S * 8/2007 Aliberti D3/283
D560,450 S * 1/2008 Tagliati D3/287
D575,059 S * 8/2008 Cappiello D3/283
D625,102 S * 10/2010 Jacobs D3/289



(56)

References Cited

U.S. PATENT DOCUMENTS

2018/0352923 A1* 12/2018 Richards A45C 5/03
2019/0021462 A1* 1/2019 Gildea B32B 1/00

OTHER PUBLICATIONS

Canway 65 L Travel Duffel Bag . . . , first available Oct. 24, 2018, amazon.com [online], [site visited Nov. 25, 2020], Available at internet URL: <https://www.amazon.com/Foldable-Weekender-Compartment-Water-proof-Resistant/dp/B07GVK5VQ1> (Year: 2018).*

Canway 115L Travel Duffel Bag, first posted Dec. 12, 2018, youtube.com [online], site visited Nov. 25, 2020], Available at internet URL: https://www.youtube.com/watch?v=A3W5TPe_knA&t=373s (Year: 2018).*

* cited by examiner



FIG. 1

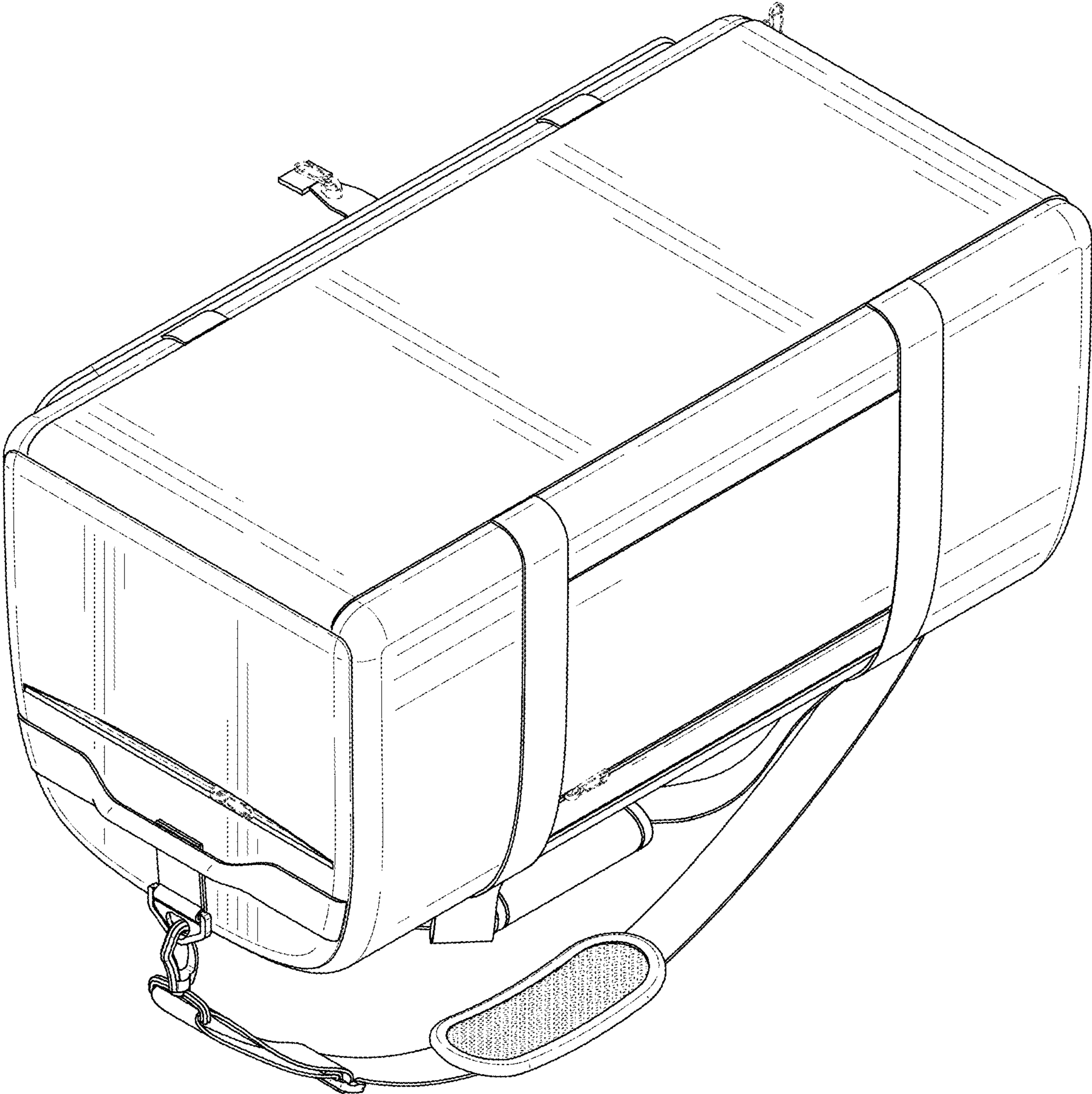


FIG. 2

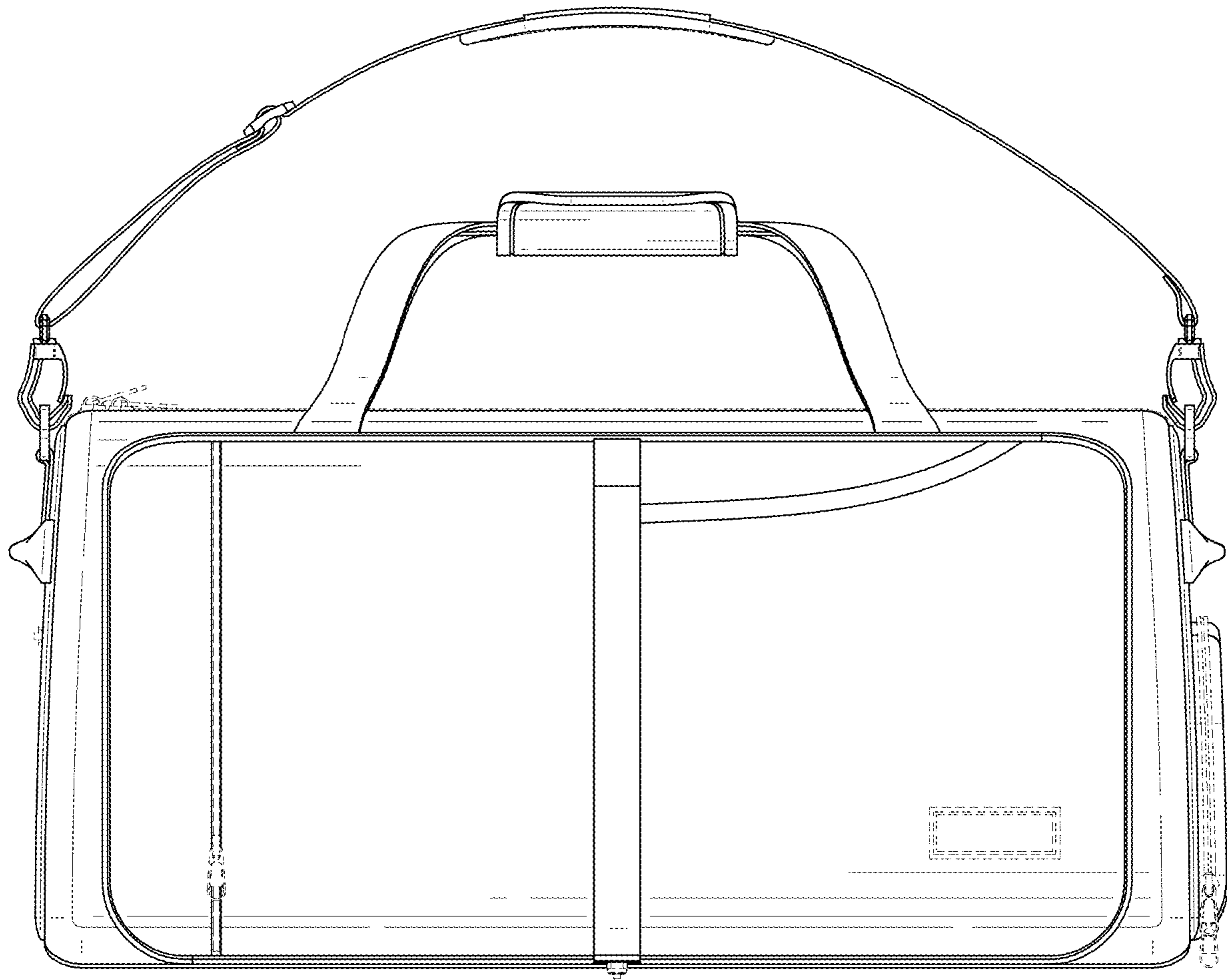


FIG. 3

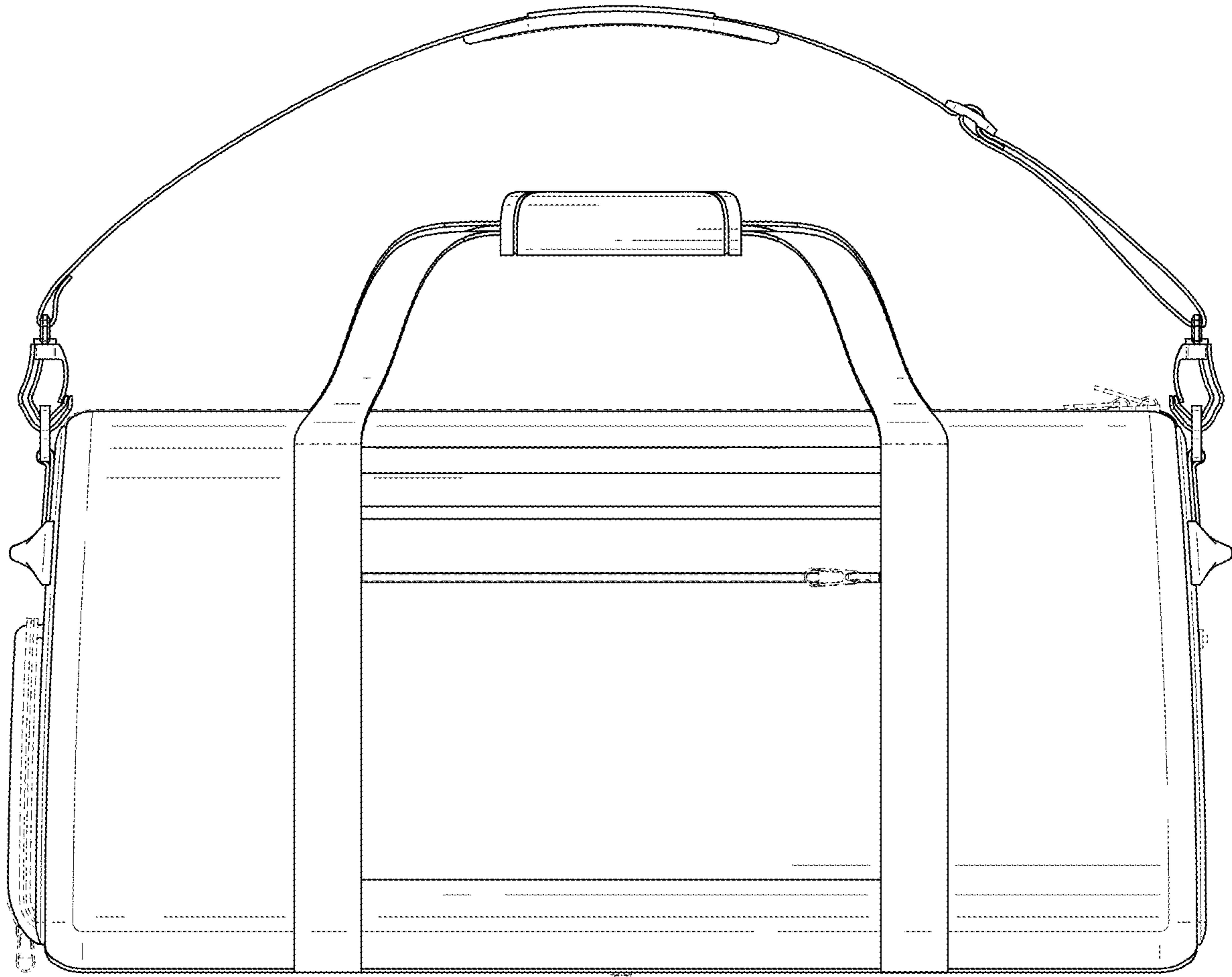


FIG. 4

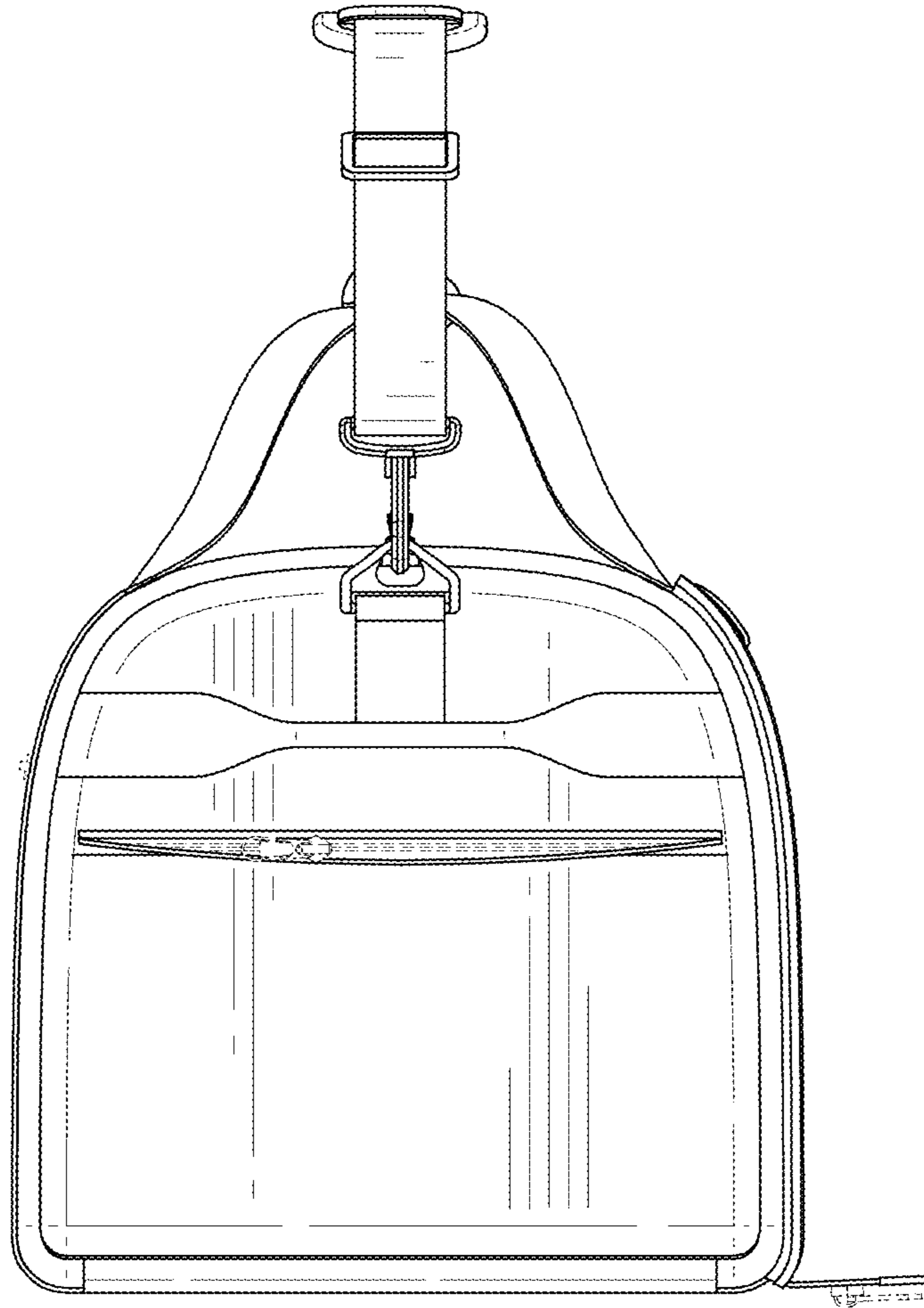


FIG. 5

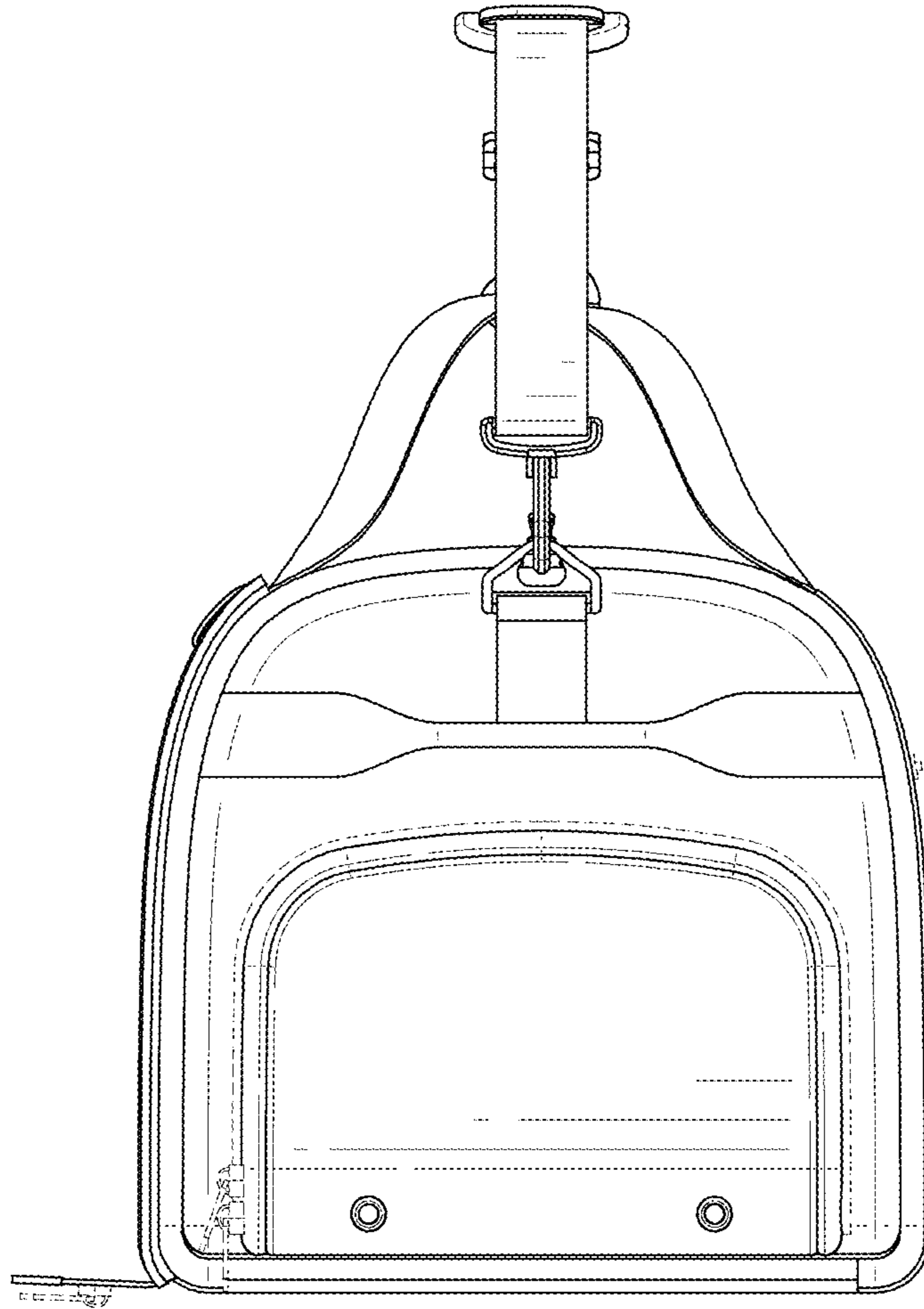


FIG. 6

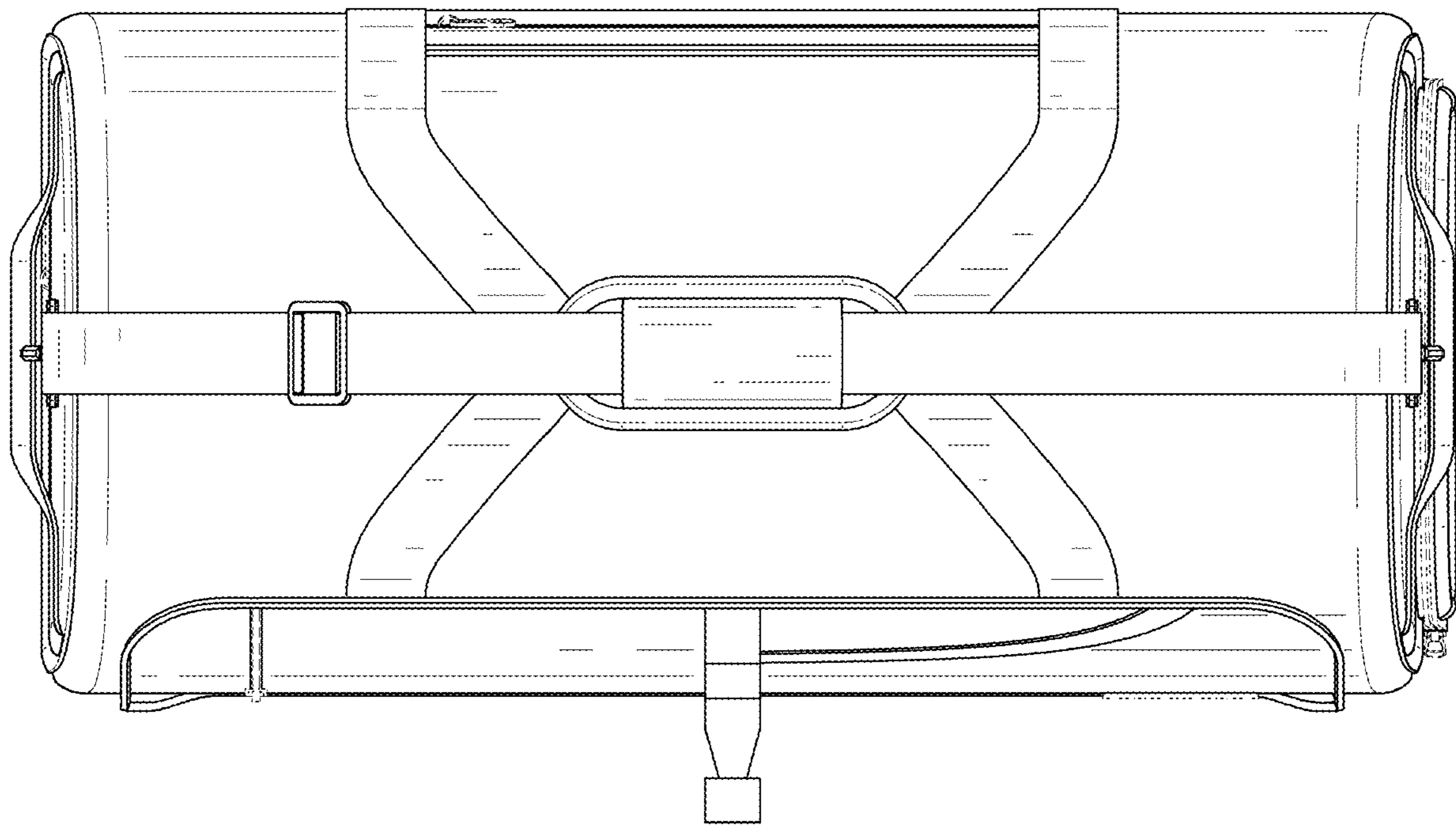


FIG. 7

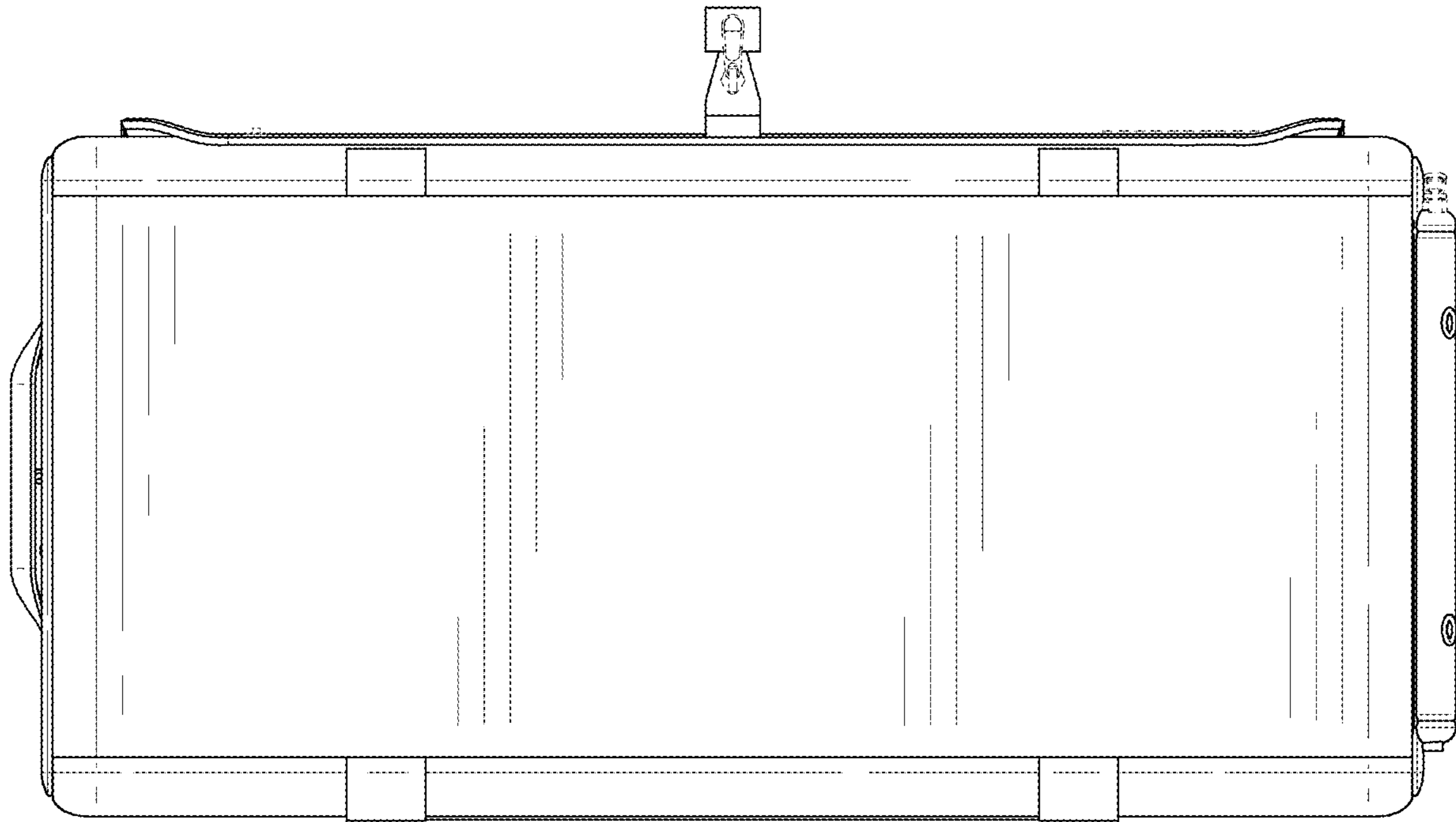


FIG. 8