



US00D915767S

(12) **United States Design Patent**
Moon

(10) **Patent No.:** **US D915,767 S**
(45) **Date of Patent:** **** Apr. 13, 2021**

(54) **SUITCASE**

(71) Applicant: **FTI GROUP (HOLDING) COMPANY LIMITED**, Grand Cayman (KY)

(72) Inventor: **Jerry Moon**, Taipei (TW)

(73) Assignee: **FTI GROUP (HOLDING) COMPANY LIMITED**, Grand Cayman (KY)

(**) Term: **15 Years**

(21) Appl. No.: **29/688,342**

(22) Filed: **Apr. 19, 2019**

(51) **LOC (13) Cl.** **03-01**

(52) **U.S. Cl.**
USPC **D3/279**

(58) **Field of Classification Search**
USPC D3/272, 273, 279, 289, 321, 902
CPC A45C 5/03; A45C 2005/032; A45C 2005/037; A45C 2009/005; A45C 5/14
See application file for complete search history.

(56) **References Cited**

U.S. PATENT DOCUMENTS

| | | | | | |
|------------|---|---------|-------------|-------|--------|
| D563,101 S | * | 3/2008 | Kuchler | | D3/279 |
| D807,034 S | * | 1/2018 | Chen | | D3/273 |
| D862,880 S | * | 10/2019 | Evangelista | | D3/279 |
| D882,948 S | * | 5/2020 | Xu | | D3/279 |
| D889,828 S | * | 7/2020 | Georgi | | D3/279 |

OTHER PUBLICATIONS

Youtube, "How To Pack A Suitcase" Published by user "West Elm" on Nov. 15, 2018. (<https://www.youtube.com/watch?v=tL3as55cutw>) (Year: 2018).*

Macy's, "Trips Luggage Trips 2.0 26" Hardside Check-In Luggage", First reviewed Feb. 14, 2020. (<https://www.macys.com/shop/product/trips-luggage-trips-2.0-26-hardside-check-in-luggage?ID=10232563&CategoryID=26195&isDlp=true&swatchColor=Blush>) (Year: 2020).*

West Elm, "Luggage and Travel Bags", Cached on wayback.org on Oct. 29, 2019. (<https://www.westelm.com/shop/storage-organization/luggage-travel-bags/>) (Year: 2019).*

* cited by examiner

Primary Examiner — April Rivas

(74) *Attorney, Agent, or Firm* — Rabin & Berdo, P.C.

(57) **CLAIM**

The ornamental design for a suitcase, as shown and described.

DESCRIPTION

FIG. 1 is a perspective view of a suitcase showing my new design;

FIG. 2 is a front view thereof;

FIG. 3 is a rear view thereof;

FIG. 4 is a left side view thereof;

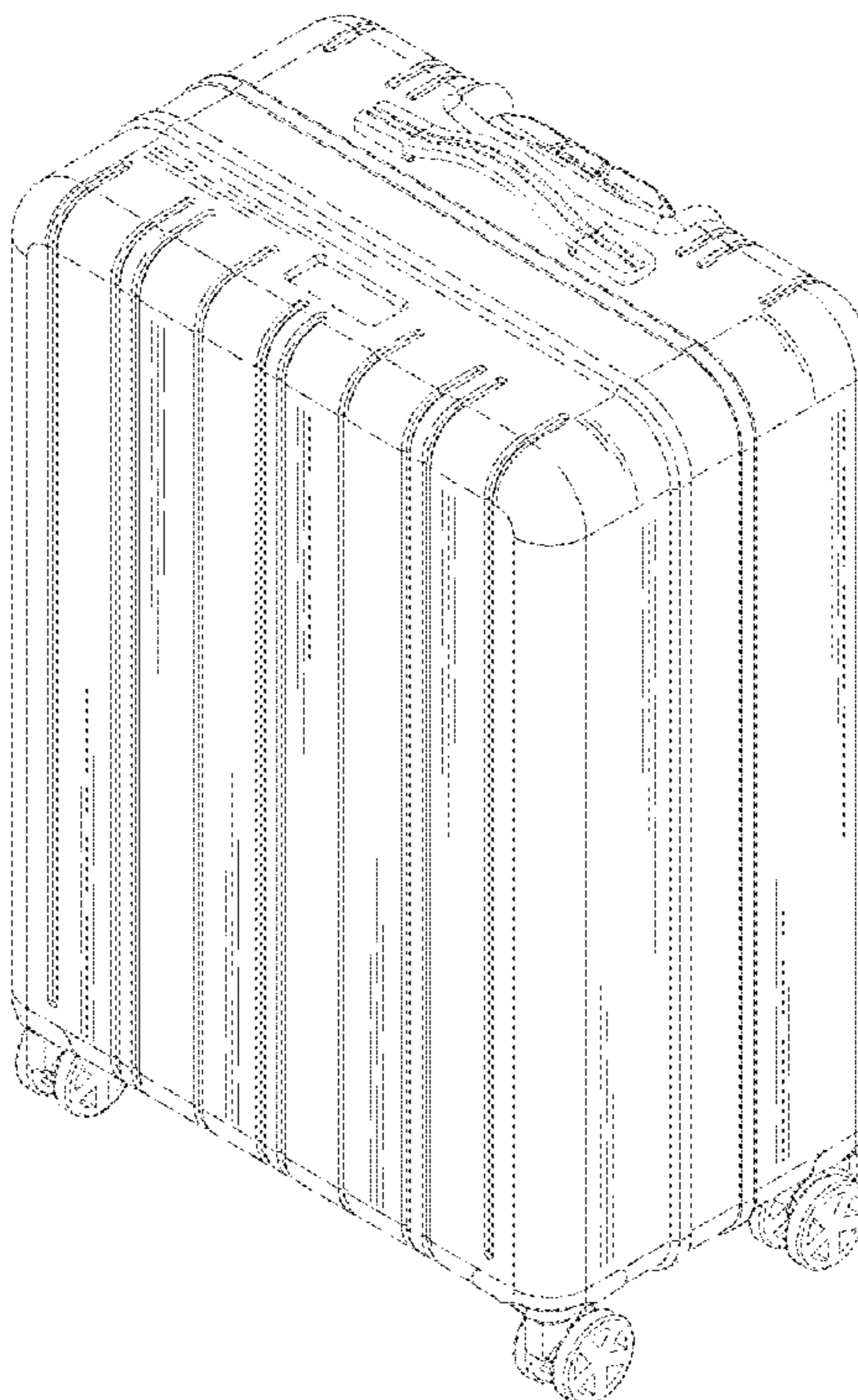
FIG. 5 is a right side view thereof;

FIG. 6 is a top view thereof; and,

FIG. 7 is a bottom view thereof.

The broken lines illustrate portions of the suitcase and form no part of the claimed design.

1 Claim, 6 Drawing Sheets



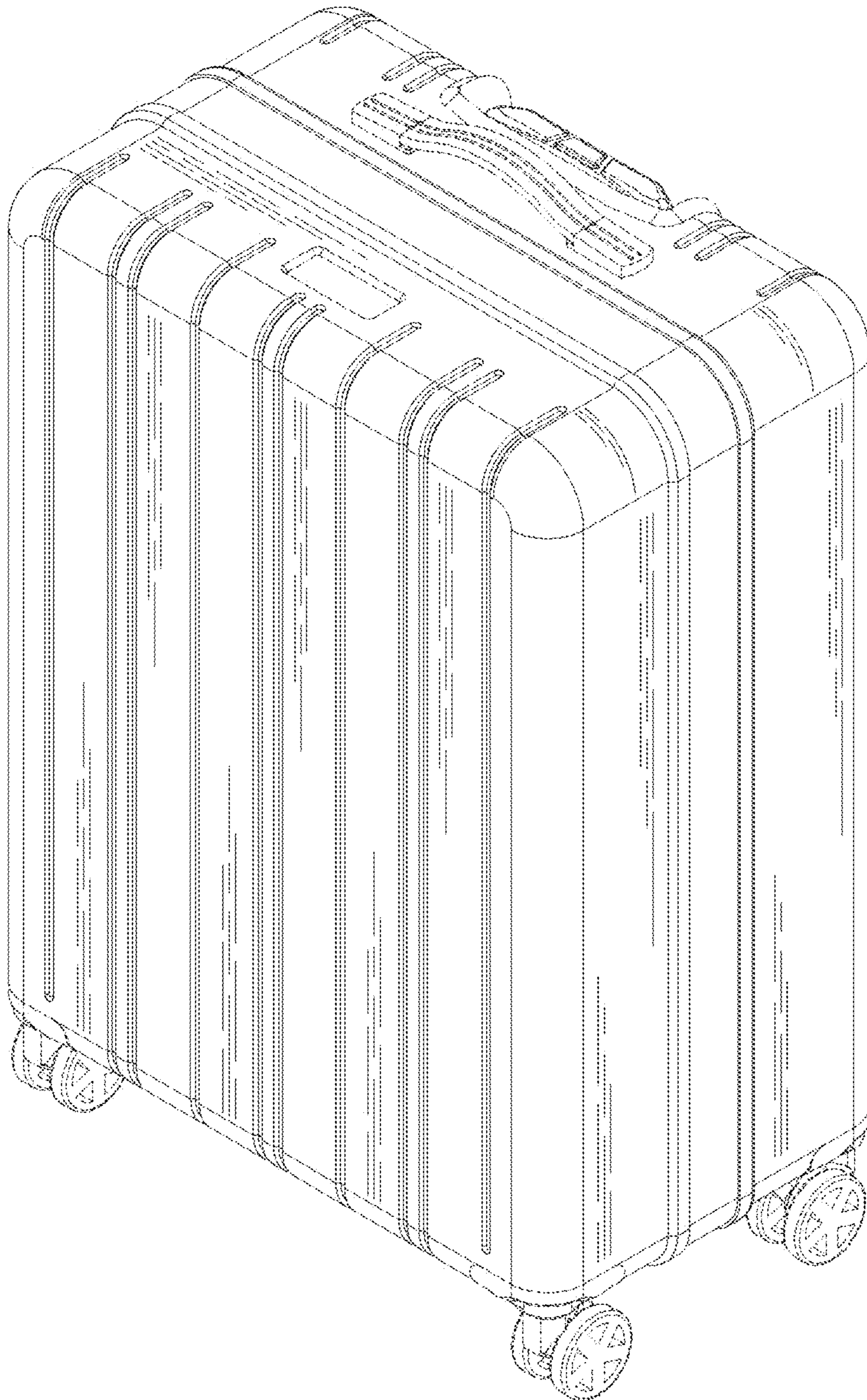


FIG. 1

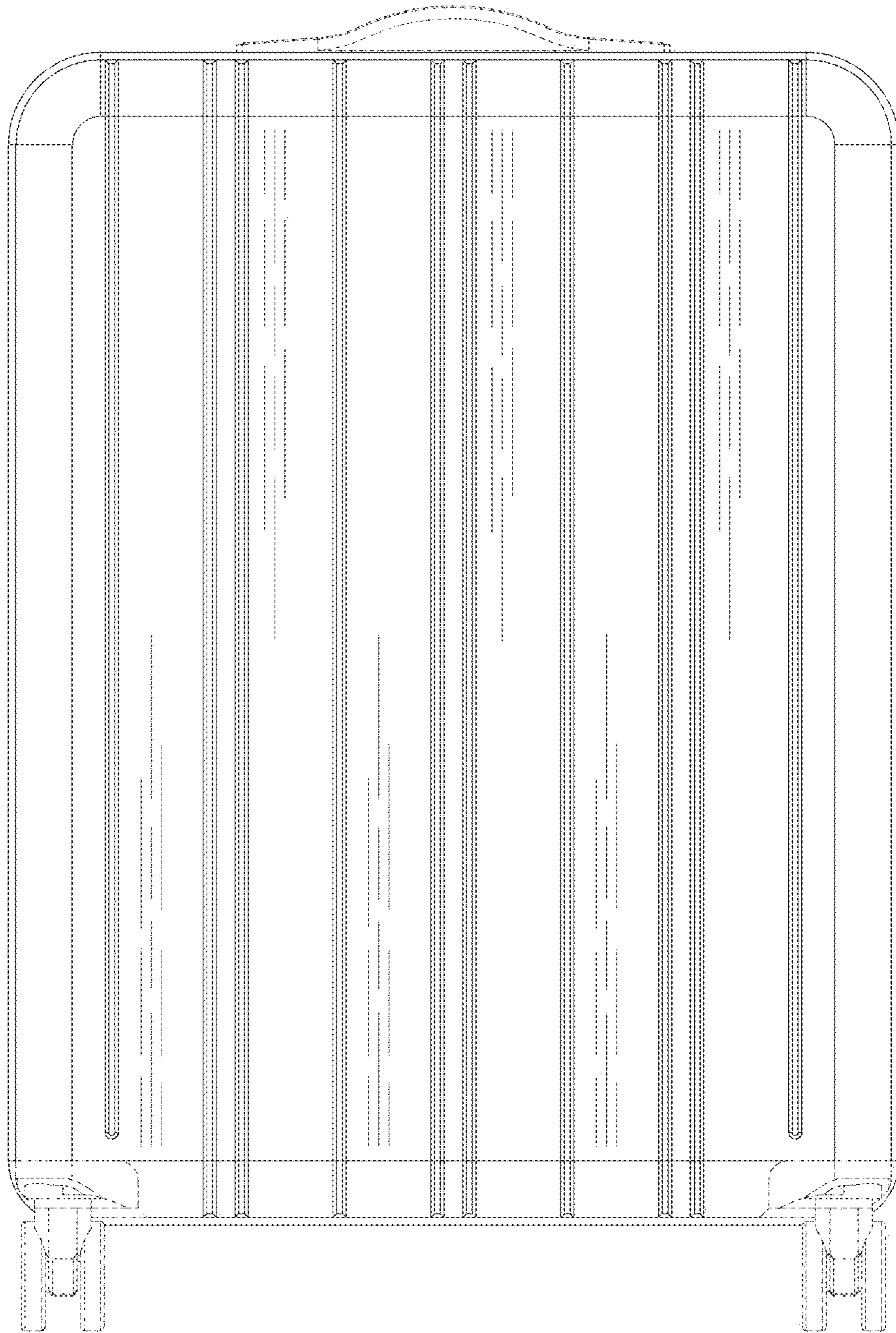


FIG. 2

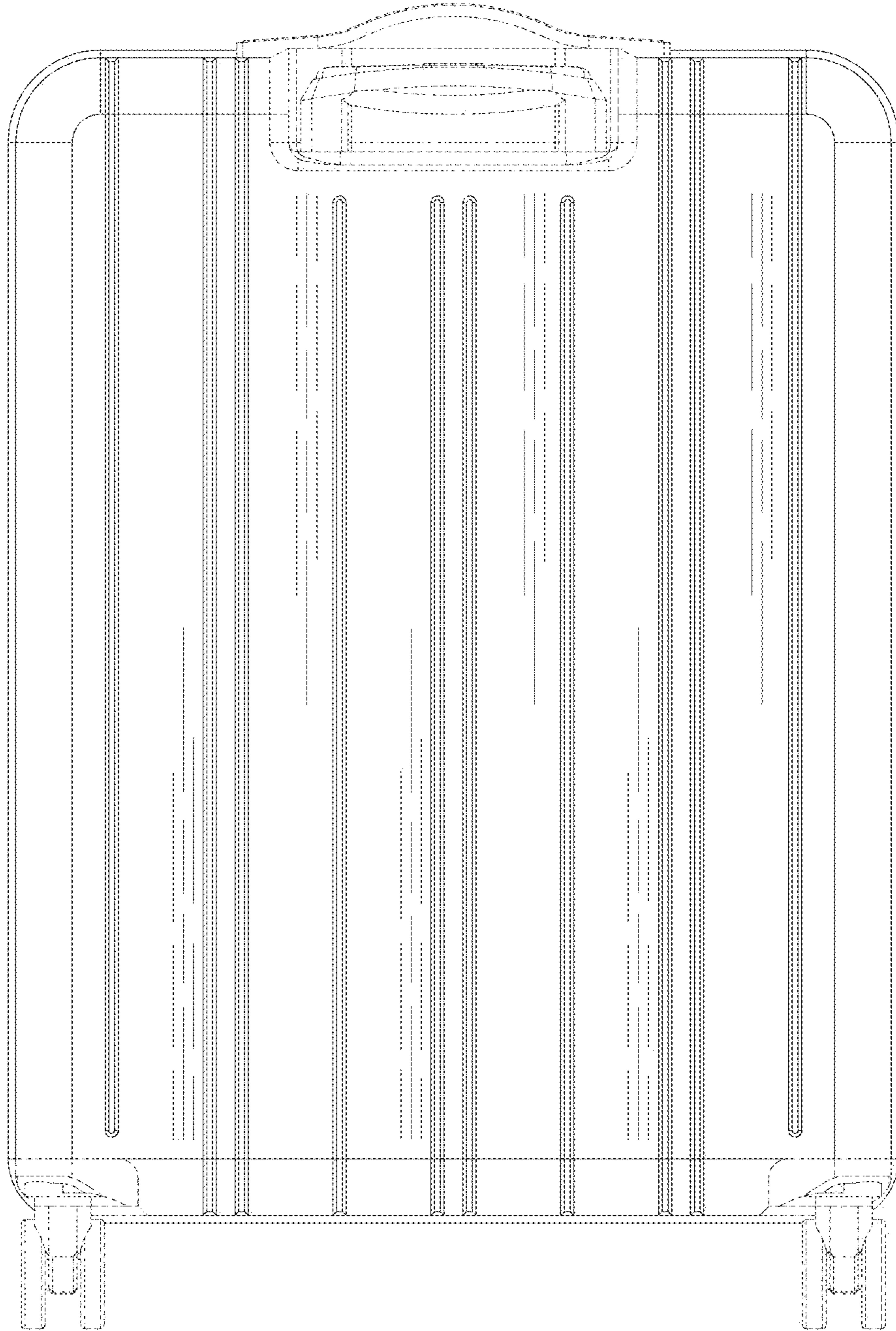


FIG. 3

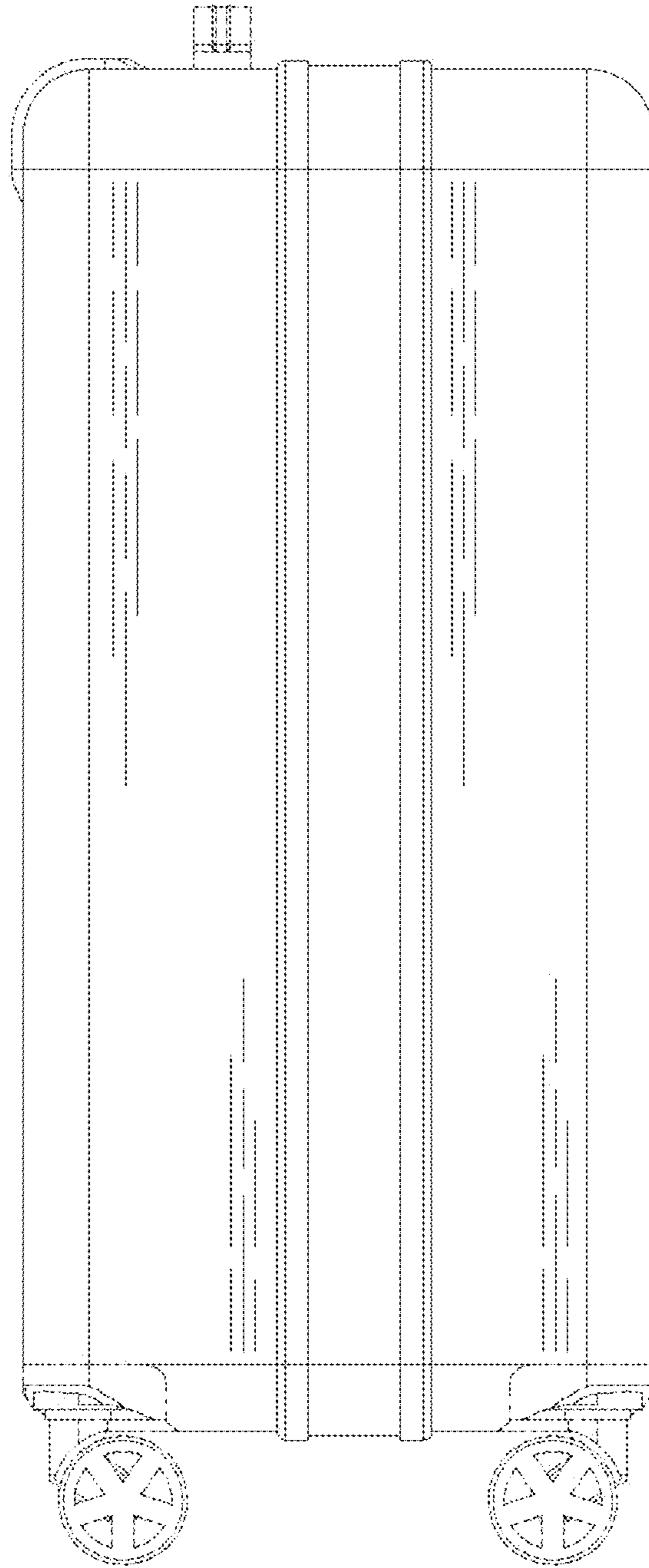


FIG. 4

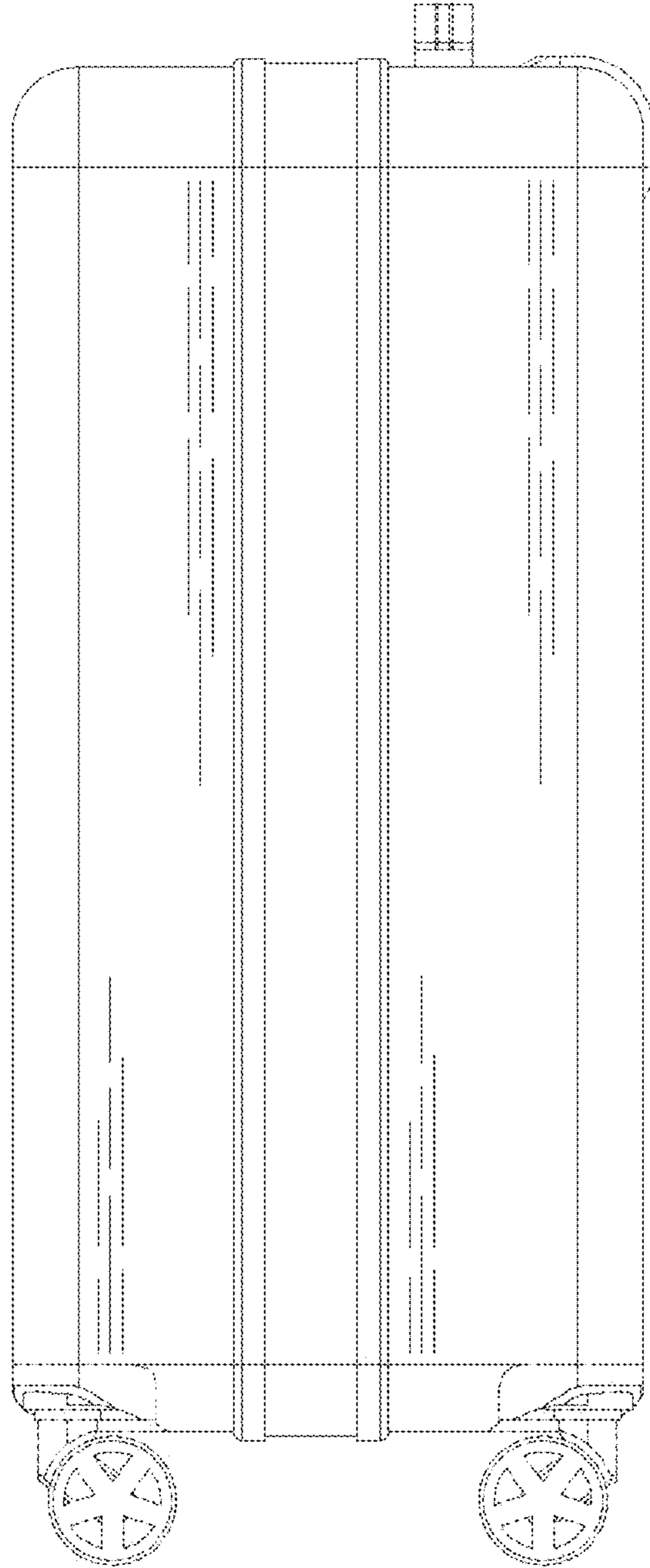


FIG. 5

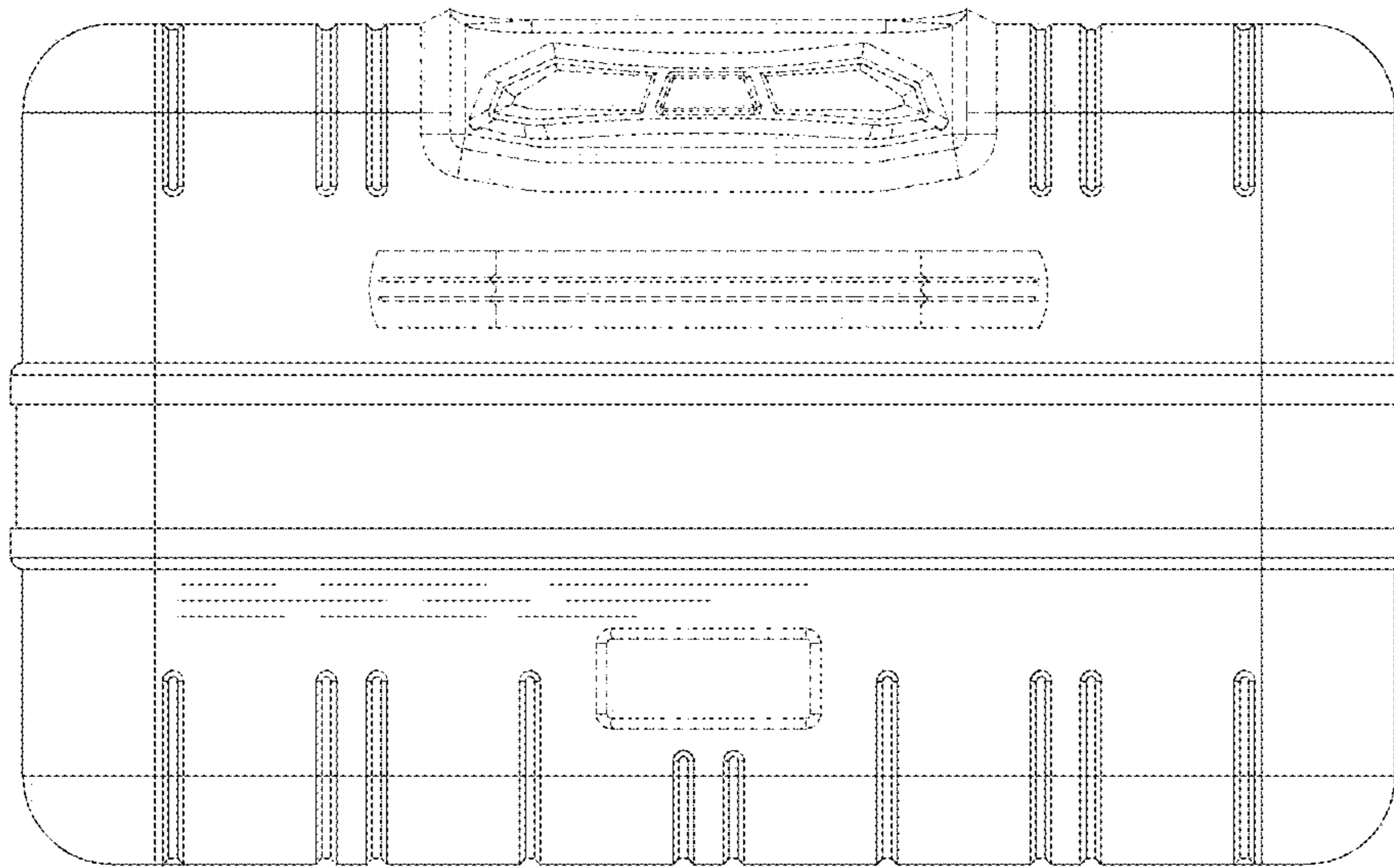


FIG. 6

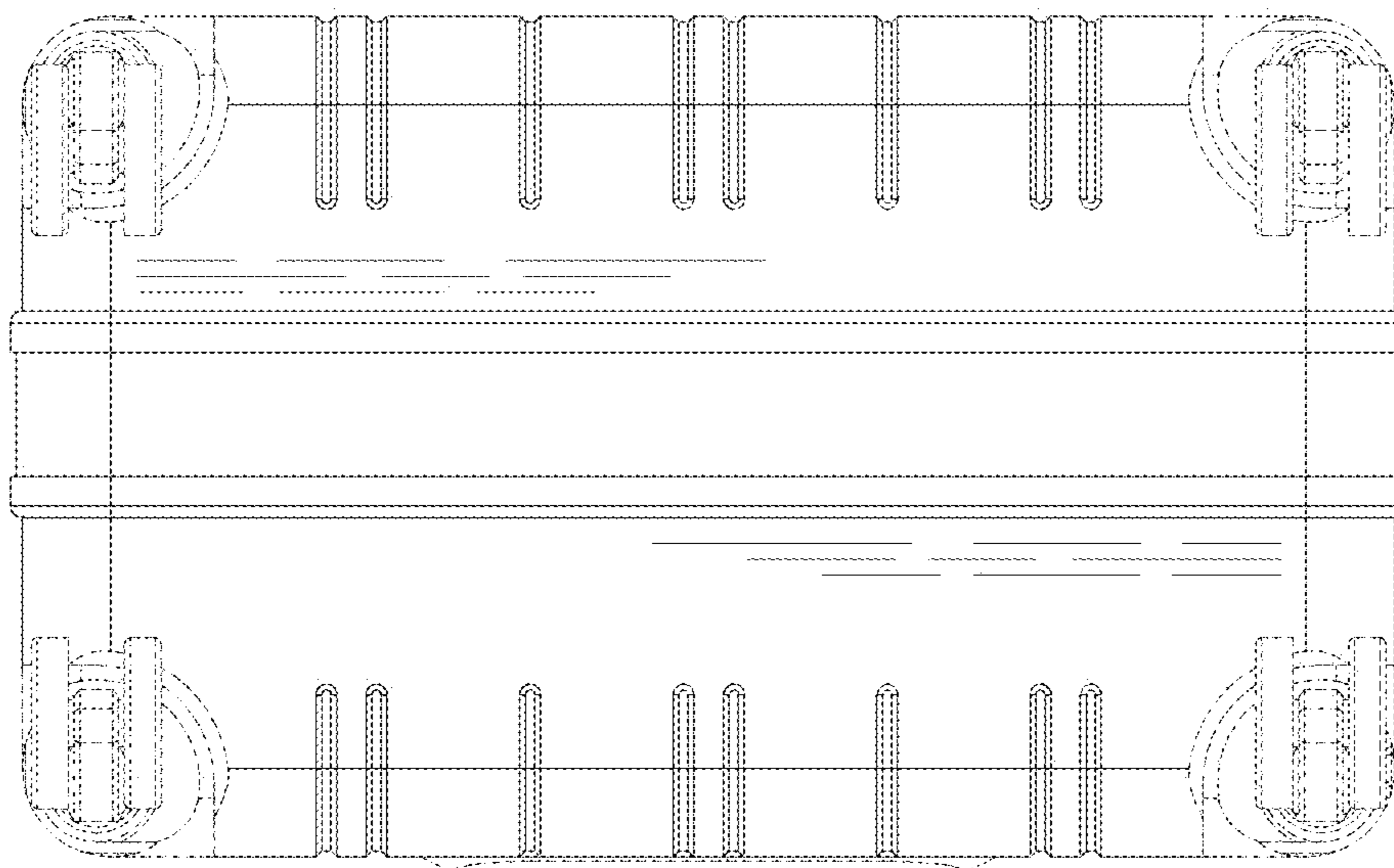


FIG. 7