



US00D915765S

(12) **United States Design Patent**
Quittner

(10) **Patent No.:** **US D915,765 S**

(45) **Date of Patent:** **** Apr. 13, 2021**

(54) **WALLET WITH LIGHT**

(71) Applicant: **Brian Joseph Quittner**, Santa Barbara, CA (US)

(72) Inventor: **Brian Joseph Quittner**, Santa Barbara, CA (US)

(**) Term: **15 Years**

(21) Appl. No.: **29/720,054**

(22) Filed: **Jan. 9, 2020**

(51) **LOC (13) Cl.** **03-01**

(52) **U.S. Cl.**
USPC **D3/249**

(58) **Field of Classification Search**
USPC D3/247-253, 318; D13/162, 184;
D26/24, 26, 28, 34, 37-39, 51-52, 60;
362/200; D11/78.1
CPC ... A45C 11/182; A45C 1/06; A45C 2001/067;
A45F 2200/055; F21V 23/0414; F21L
4/005; F21L 4/027

See application file for complete search history.

(56) **References Cited**

U.S. PATENT DOCUMENTS

D283,552 S *	4/1986	Brillo	D26/24
D307,058 S *	4/1990	Yuen	D26/38
D365,163 S *	12/1995	Brogliato	D26/38
D524,474 S *	7/2006	Lo	D26/37
D548,384 S *	8/2007	Komar	D26/37
D557,217 S *	12/2007	Ewringmann	D13/162
D671,814 S *	12/2012	Liang	D8/105
D724,484 S *	3/2015	Swan	D11/218
D775,824 S *	1/2017	King	D3/247
D829,354 S *	9/2018	Cacciabeve	D26/37
D866,276 S *	11/2019	Shlaferman	D8/19
D868,463 S *	12/2019	Tran	D3/249
D875,979 S *	2/2020	Levy	D26/39
D877,513 S *	3/2020	Duncan	D3/318
D884,339 S *	5/2020	Li	D3/247
D887,708 S *	6/2020	Tran	D3/247

D890,395 S *	7/2020	Bertken	D26/37
D890,525 S *	7/2020	Leh	D3/318
D895,961 S *	9/2020	Swan	D3/222
10,775,001 B1 *	9/2020	Waters	F21V 23/0414
2004/0114359 A1 *	6/2004	Parsons	F21L 4/005 362/200
2010/0157581 A1 *	6/2010	Galli	F21L 4/027 362/158
2017/0119115 A1 *	5/2017	King	A45C 13/30
2019/0365066 A1 *	12/2019	Hill	A45C 11/18

OTHER PUBLICATIONS

“QUIQLITE Taq Wallet”, Date First Available: Aug. 25, 2020 , Amazon.com, site visited Jan. 6, 2021: <https://www.amazon.com/QUIQLITE-Minimalist-Integrated-Rechargeable-Flashlight/dp/B08GMY7JJ2?th=1> (Year: 2020).*

* cited by examiner

Primary Examiner — Jennifer L Watkins
Assistant Examiner — Samantha Lynne Brodowski
(74) *Attorney, Agent, or Firm* — Dunlap Bennett & Ludwig, PLLC

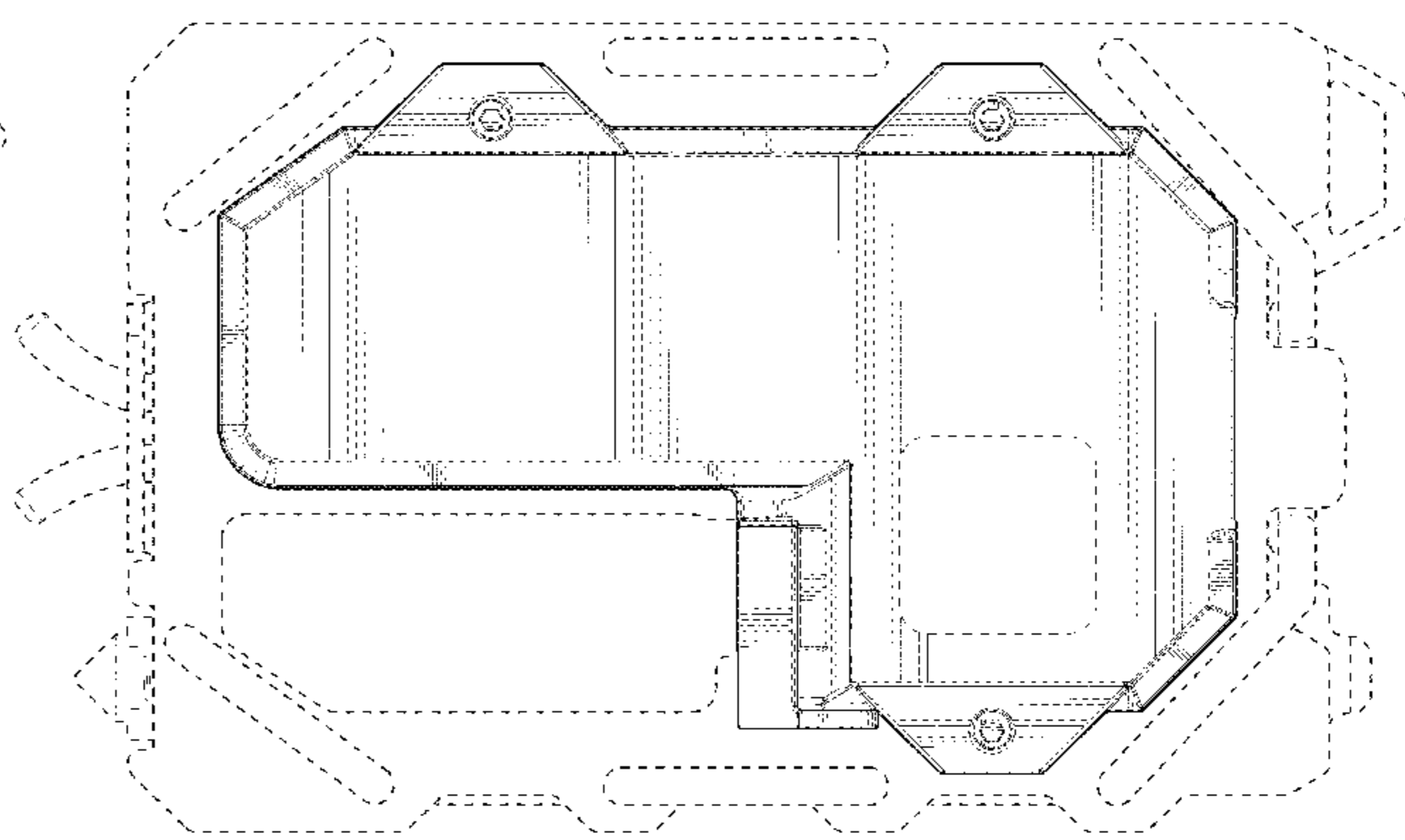
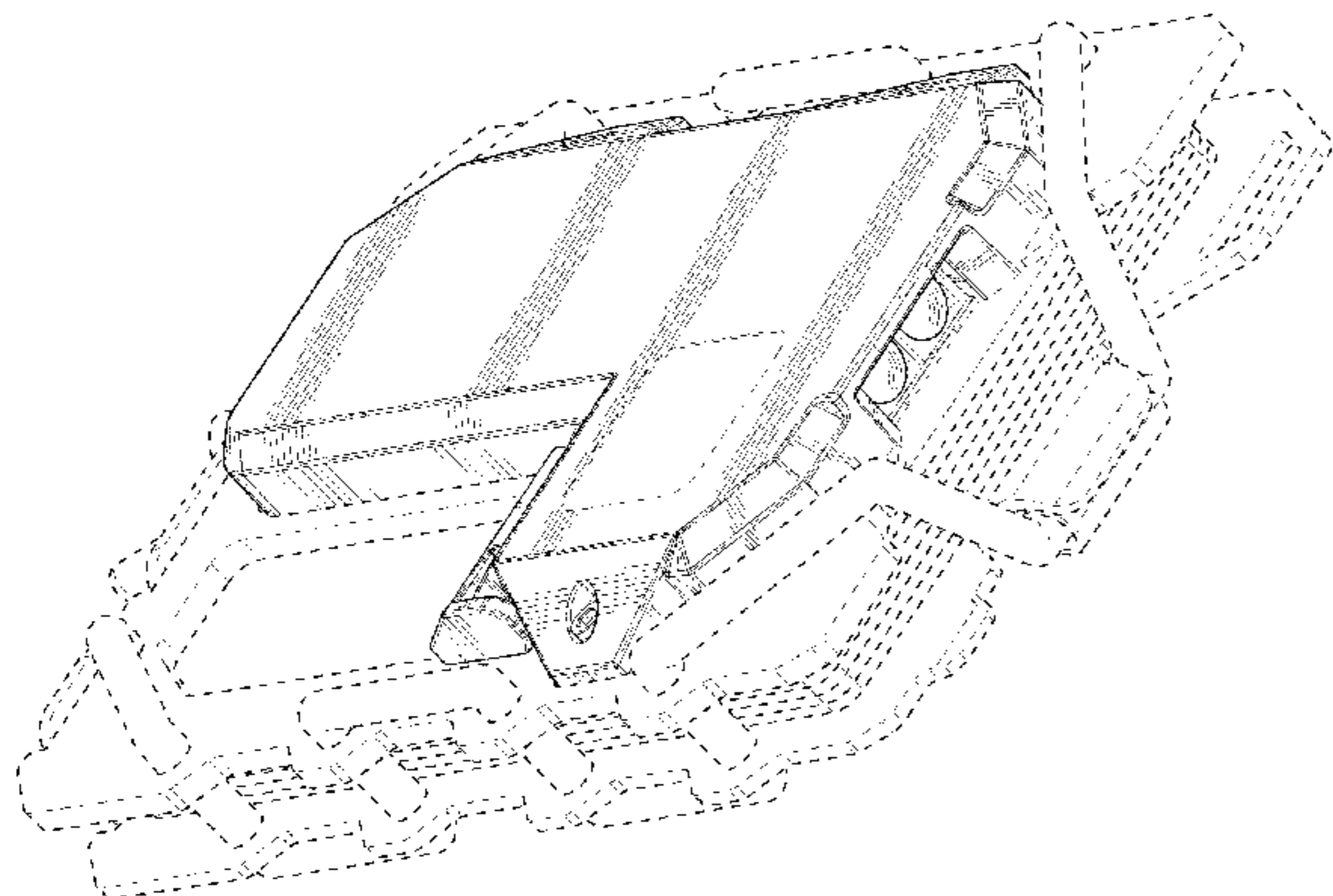
(57) **CLAIM**

The ornamental design for a wallet with light, as shown and described.

DESCRIPTION

FIG. 1 is a front perspective view of a wallet with light, showing my new design;
FIG. 2 is a front elevation view thereof;
FIG. 3 is a rear elevation view thereof;
FIG. 4 is a right-side elevation view thereof;
FIG. 5 is a left-side elevation view thereof;
FIG. 6 is a top plan view thereof; and,
FIG. 7 is a bottom plan view thereof.
The broken lines shown in the drawings depict portions of the wallet with light that form no part of the claimed design.

1 Claim, 5 Drawing Sheets



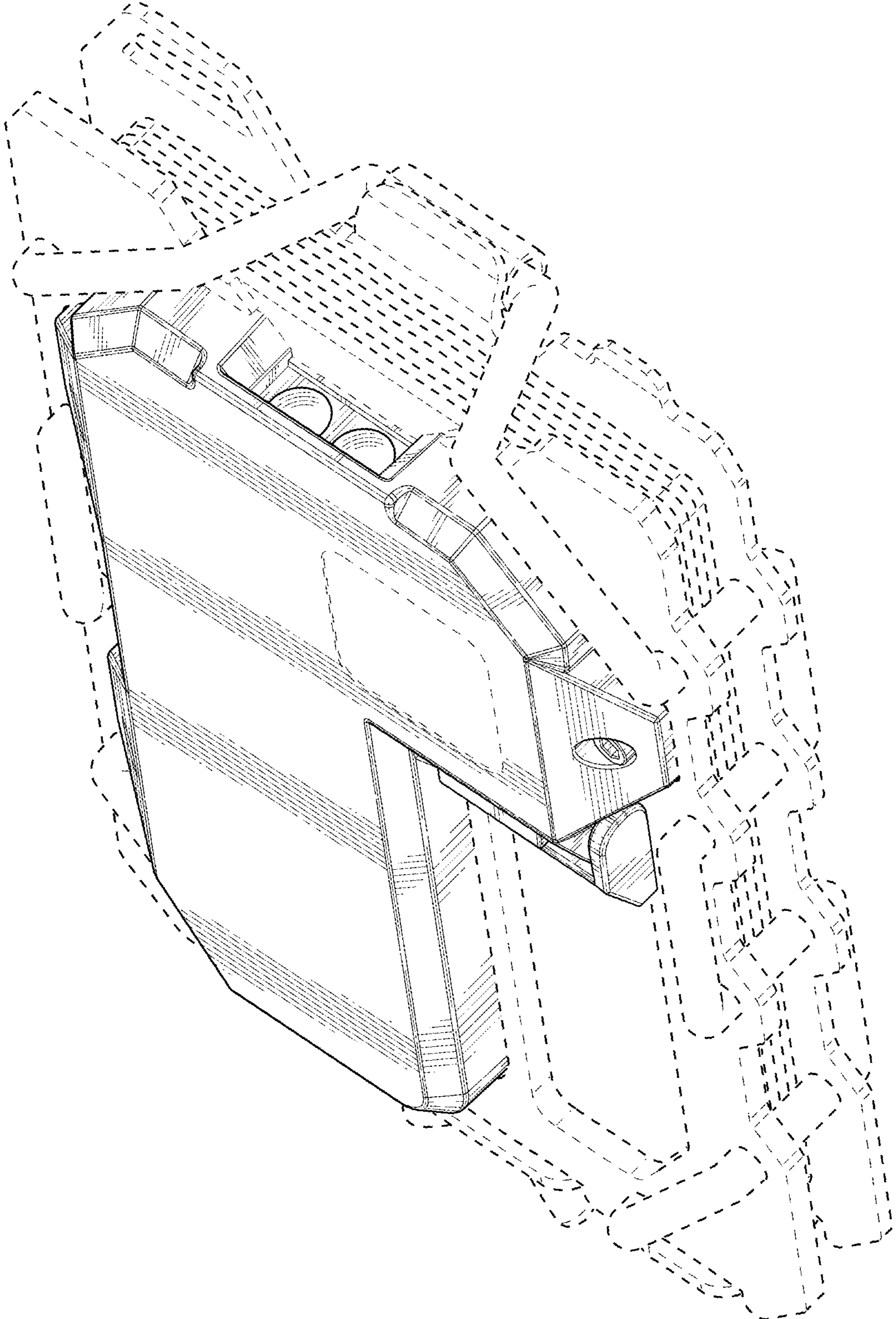


FIG. 1

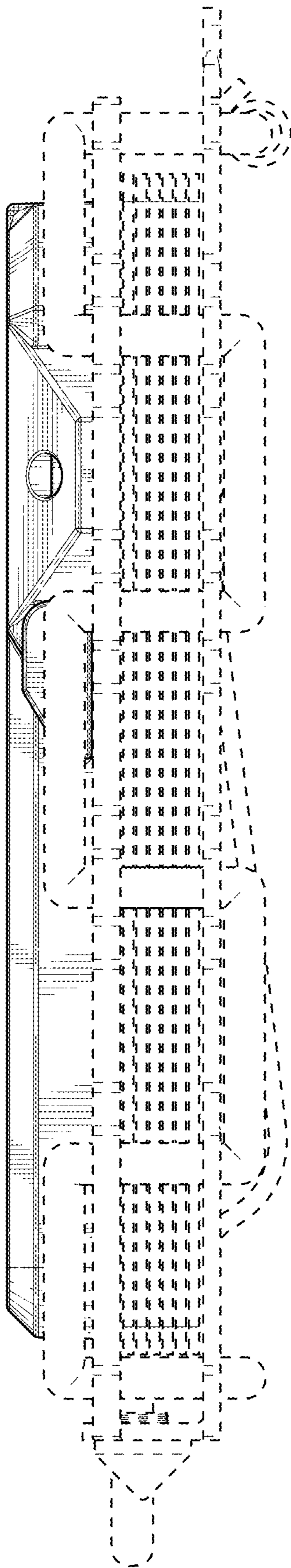


FIG. 2

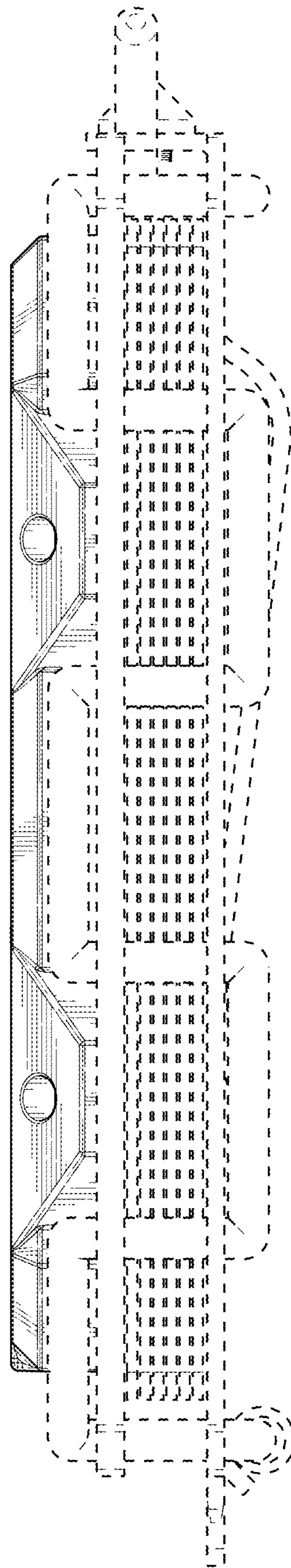


FIG. 3

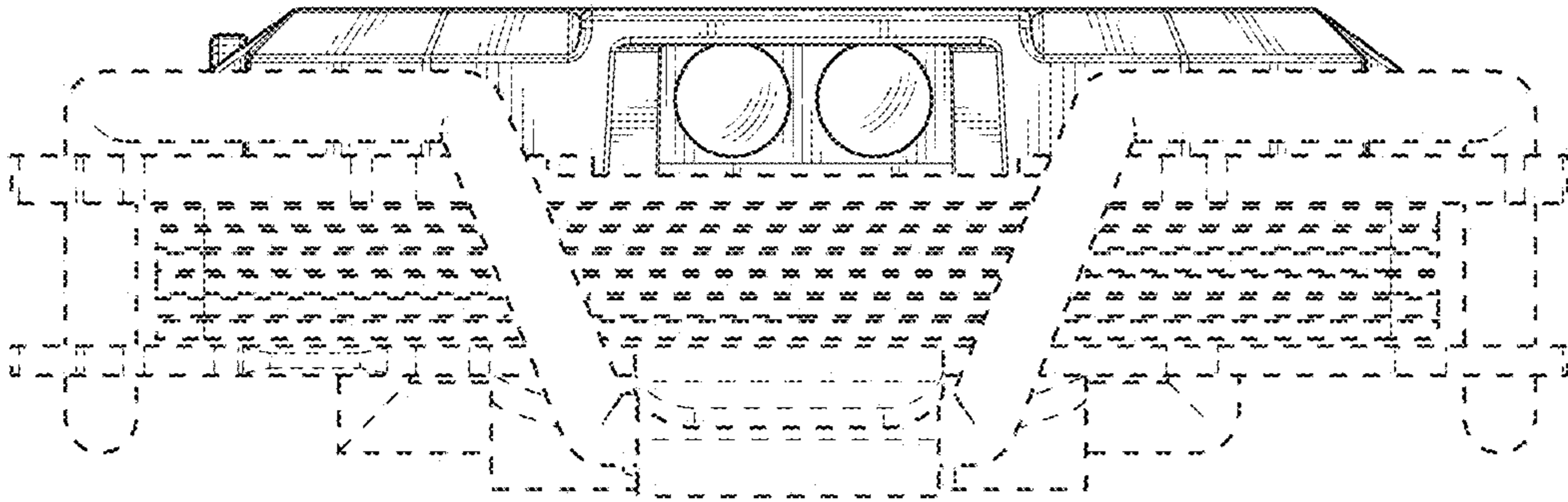


FIG. 4

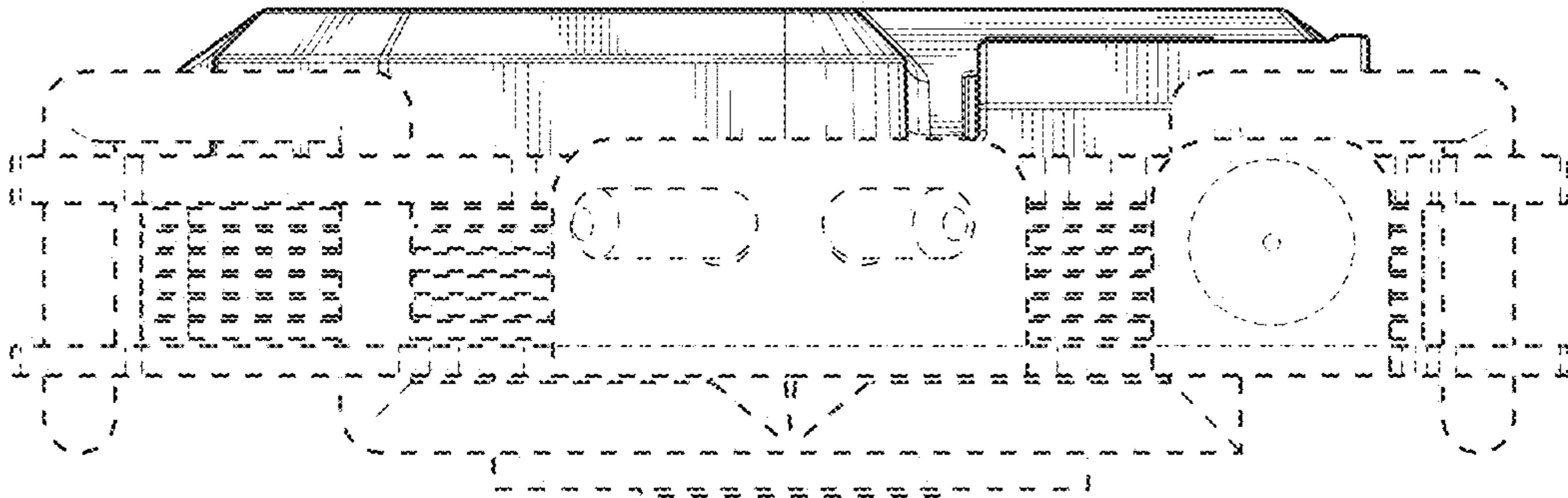


FIG. 5

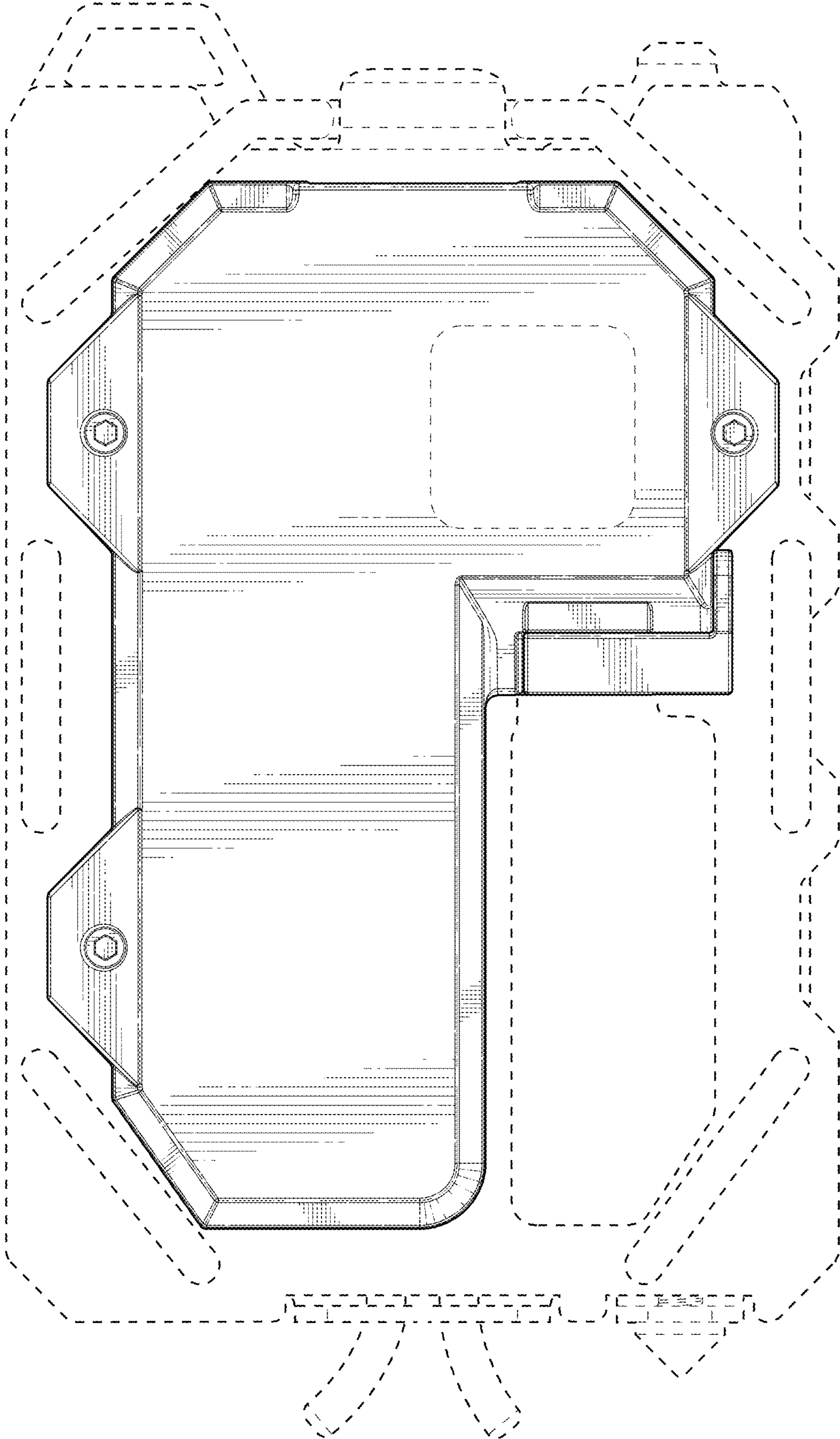


FIG. 6

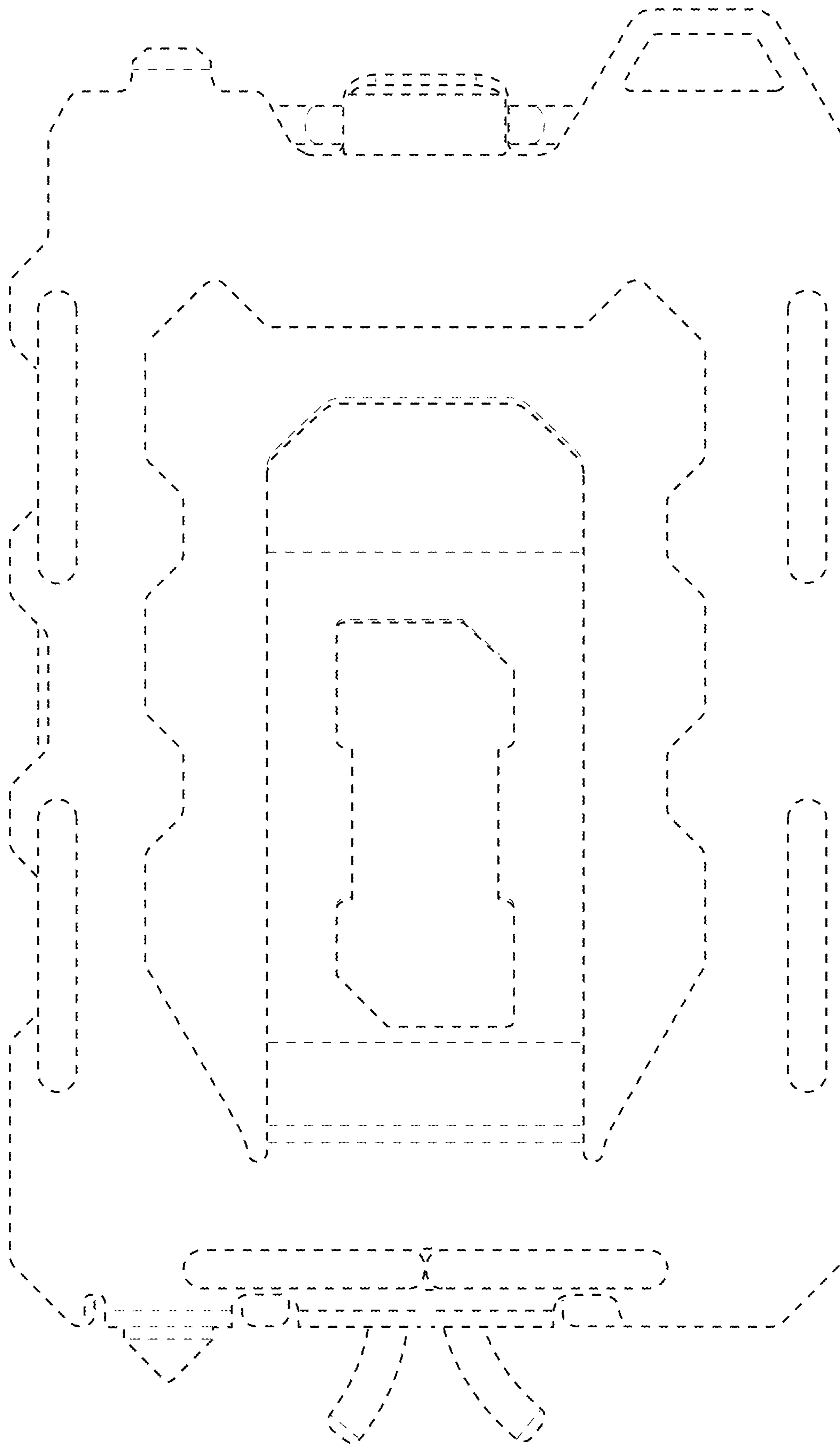


FIG. 7