



US00D915763S

(12) **United States Design Patent**  
**Liberge**

(10) **Patent No.:** **US D915,763 S**  
(45) **Date of Patent:** **\*\* Apr. 13, 2021**

(54) **SHOULDER HOLSTER FOR PERSONAL ELECTRONIC DEVICES**

(71) Applicant: **Dennis Liberge**, Peabody, MA (US)

(72) Inventor: **Dennis Liberge**, Peabody, MA (US)

(\*\*) Term: **15 Years**

(21) Appl. No.: **29/701,314**

(22) Filed: **Aug. 9, 2019**

(51) **LOC (13) Cl.** ..... **03-01**

(52) **U.S. Cl.**  
USPC ..... **D3/218**

(58) **Field of Classification Search**

USPC ..... D3/218, 214, 216-217, 219, 267, 273,  
D3/289, 228; D14/168, 170-171,  
D14/188-189, 192, 194-196, 204;  
D29/101.1, 101.2, 101.3, 101.4; 206/305,  
206/320  
CPC ..... A45F 3/02; A45F 3/04; A45F 3/14; A45F  
3/10; A45F 3/005; A45F 2003/146; H04B  
1/38; H04B 13/85; H04B 1/3827; H04B  
13/3838; H04B 1/3855; B60R 11/0217;  
G06F 1/1688; G10K 9/22; G10K 11/04;  
H03F 1/327; H04M 1/03; H04N 5/642;  
H04S 3/00

See application file for complete search history.

(56) **References Cited**

**U.S. PATENT DOCUMENTS**

D249,297 S \* 9/1978 Hillinger ..... D2/839  
D332,842 S \* 1/1993 Floyd ..... D14/163

D501,078 S \* 1/2005 Cabana ..... D29/101.3  
D707,958 S \* 7/2014 Rubin ..... D3/216  
9,923,590 B1 \* 3/2018 Picking ..... A45F 3/14  
10,003,369 B2 \* 6/2018 Ooi ..... A45F 3/14  
D831,334 S \* 10/2018 Alexiou ..... D3/218  
D833,737 S \* 11/2018 Ooi ..... D3/218  
2002/0088726 A1 \* 7/2002 Chou ..... A45F 3/04  
206/320  
2018/0109277 A1 \* 4/2018 Ooi ..... G08B 25/016  
2019/0159579 A1 \* 5/2019 Picking ..... A45F 5/021  
2020/0000212 A1 \* 1/2020 LeMarbe ..... A45F 3/14

\* cited by examiner

*Primary Examiner* — Catherine R Oliver-Garcia

(74) *Attorney, Agent, or Firm* — Daniel N. Smith

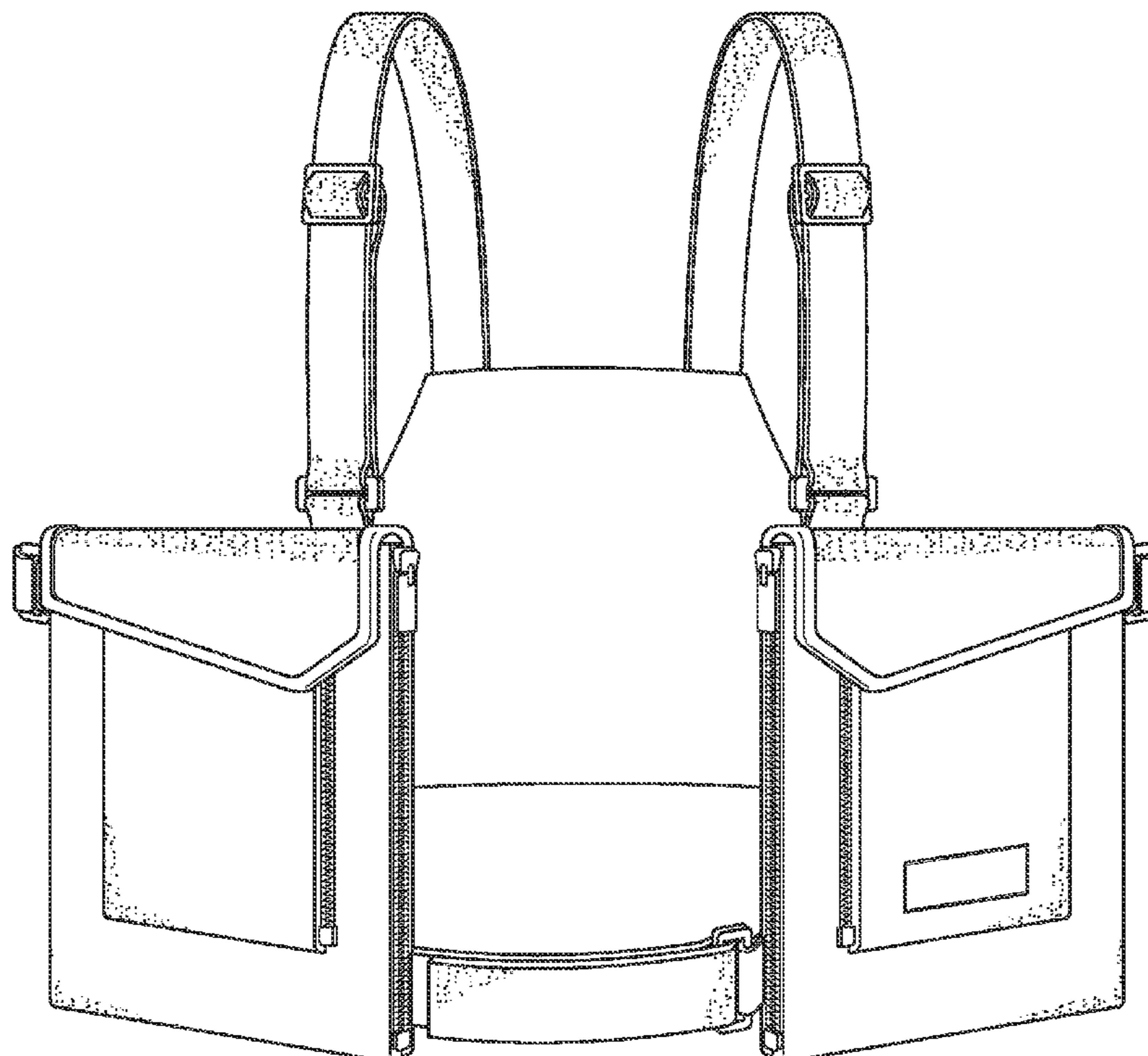
(57) **CLAIM**

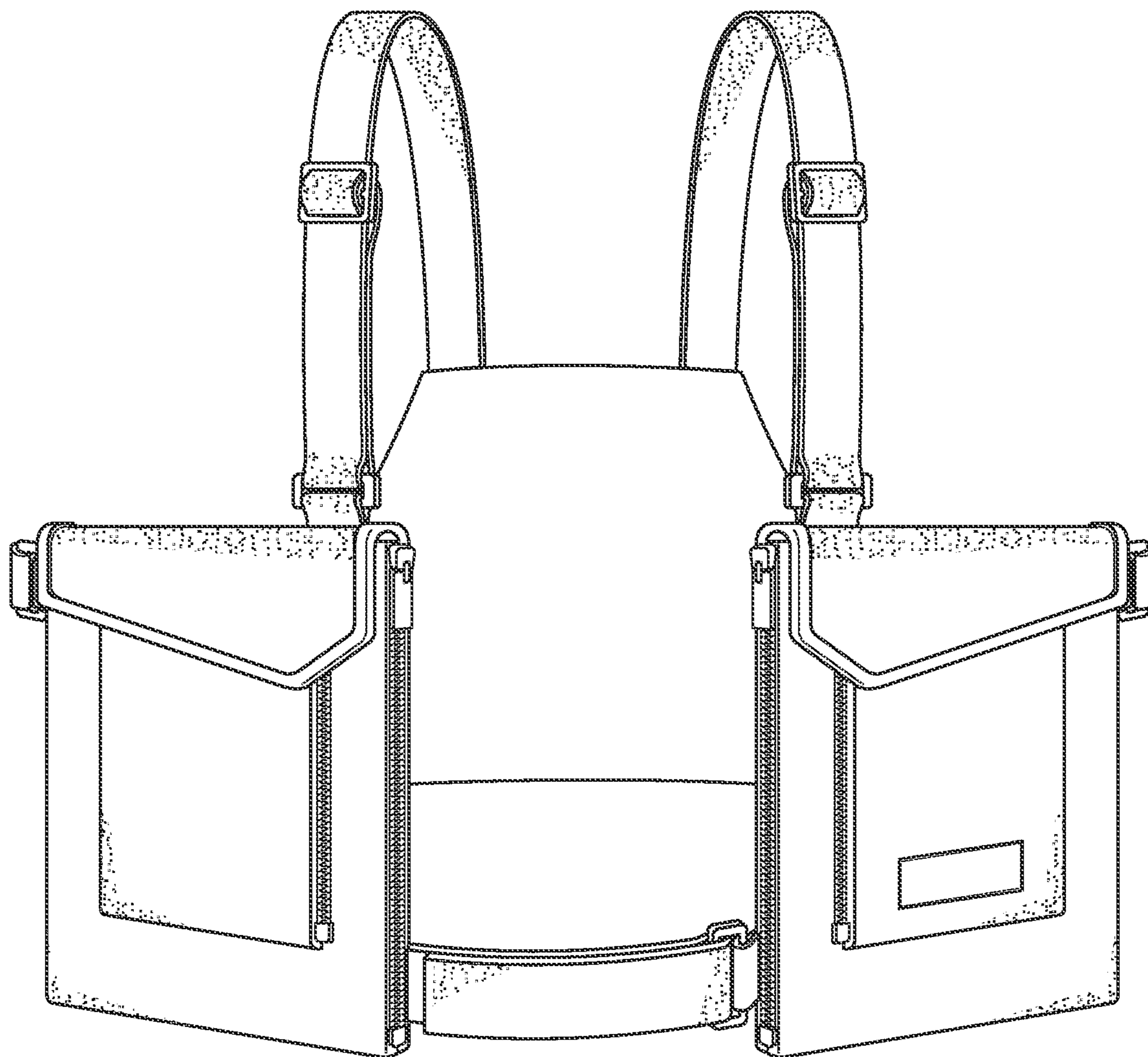
The ornamental design for a shoulder holster for personal electronic devices, as shown and described.

**DESCRIPTION**

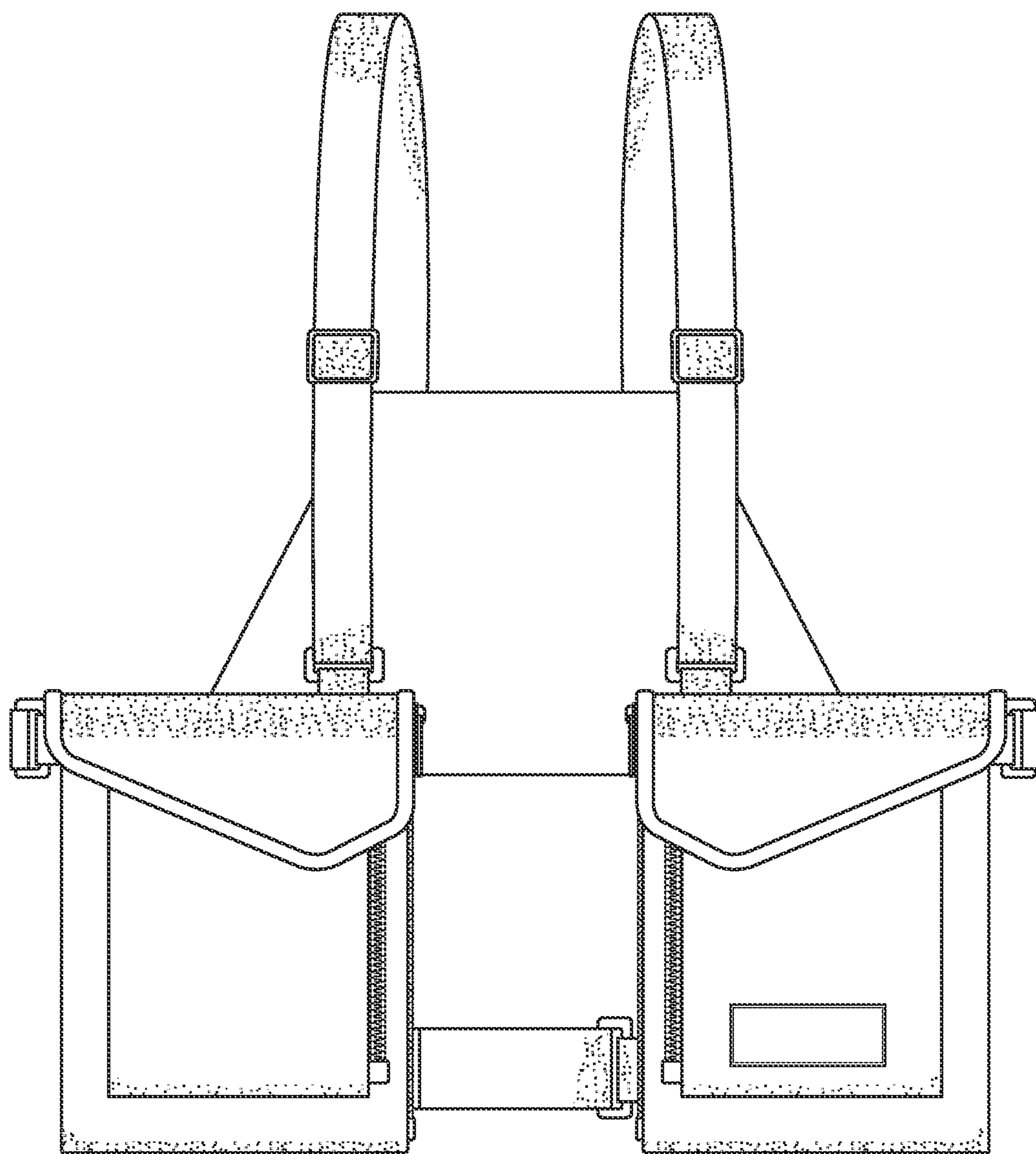
FIG. 1 is a front perspective view of a shoulder holster for personal electronic devices showing my new design;  
FIG. 2 is a front elevation view thereof;  
FIG. 3 is a rear elevation view thereof;  
FIG. 4 is a left side elevation view thereof;  
FIG. 5 is a right side elevation view thereof;  
FIG. 6 is a top plan view thereof; and,  
FIG. 7 is a bottom plan view thereof.

**1 Claim, 5 Drawing Sheets**

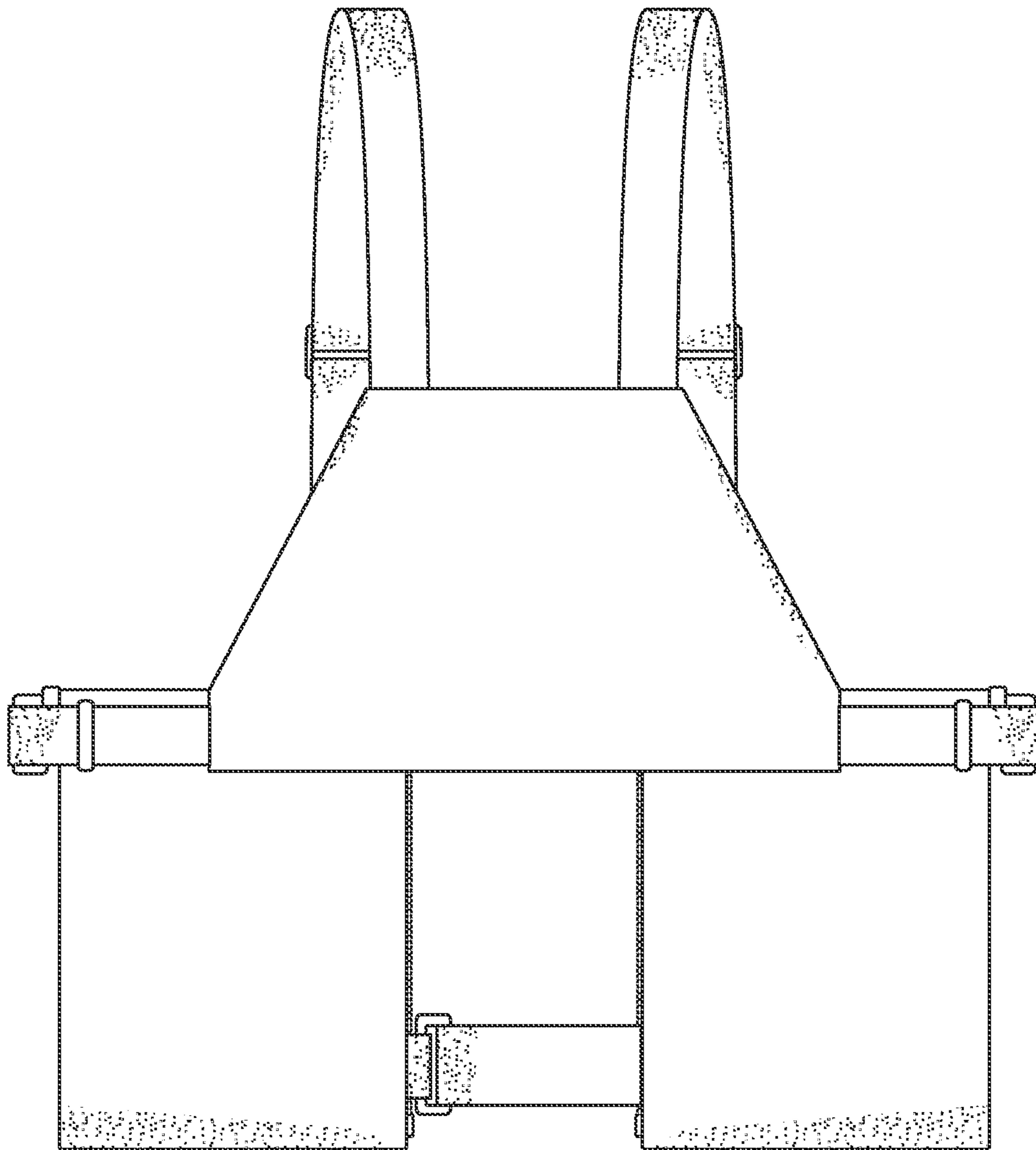




*Fig. 1*

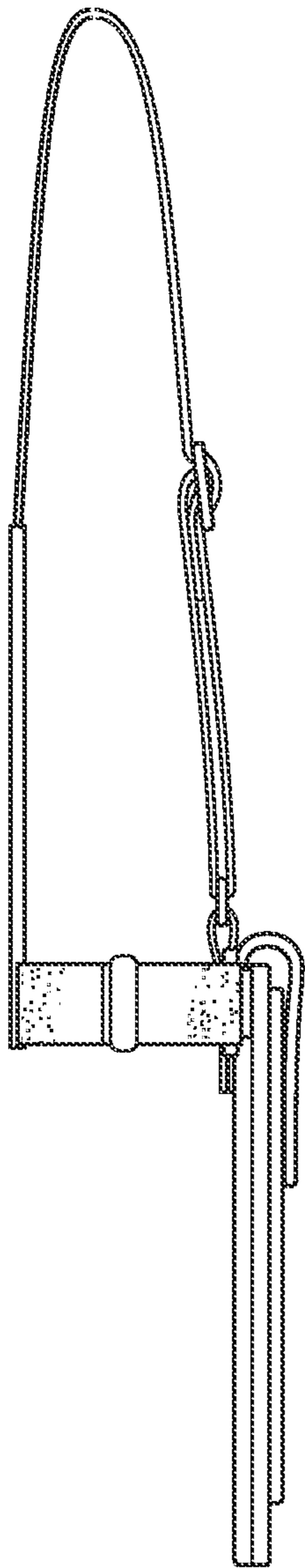


*Fig. 2*

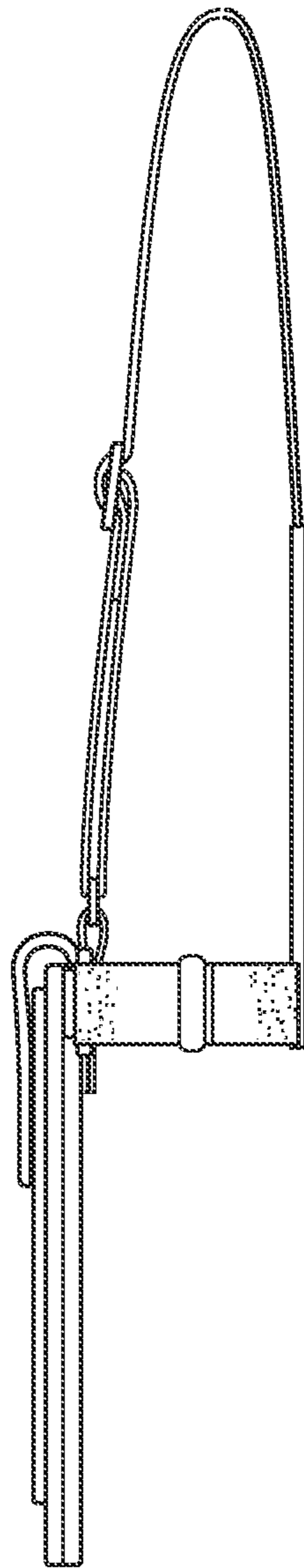


*Fig. 3*

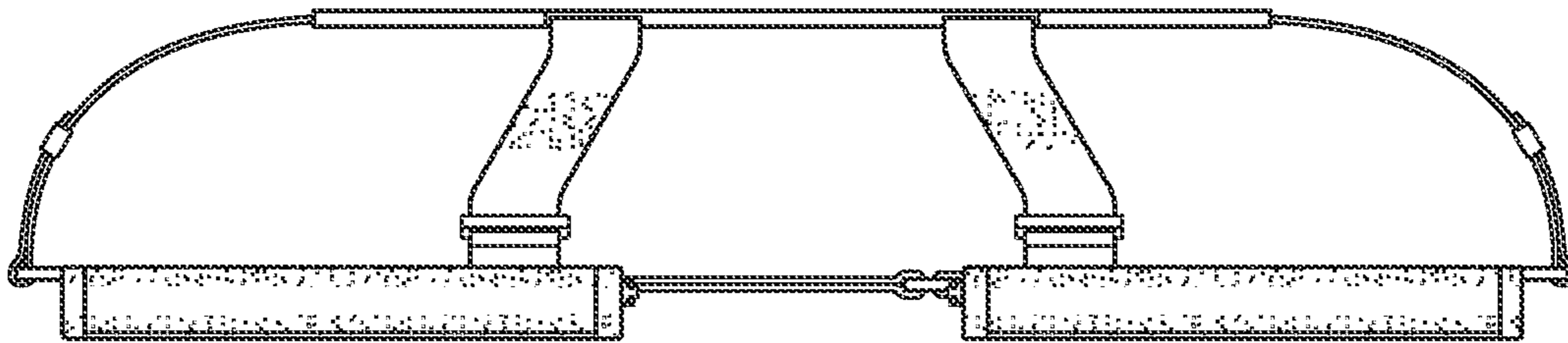




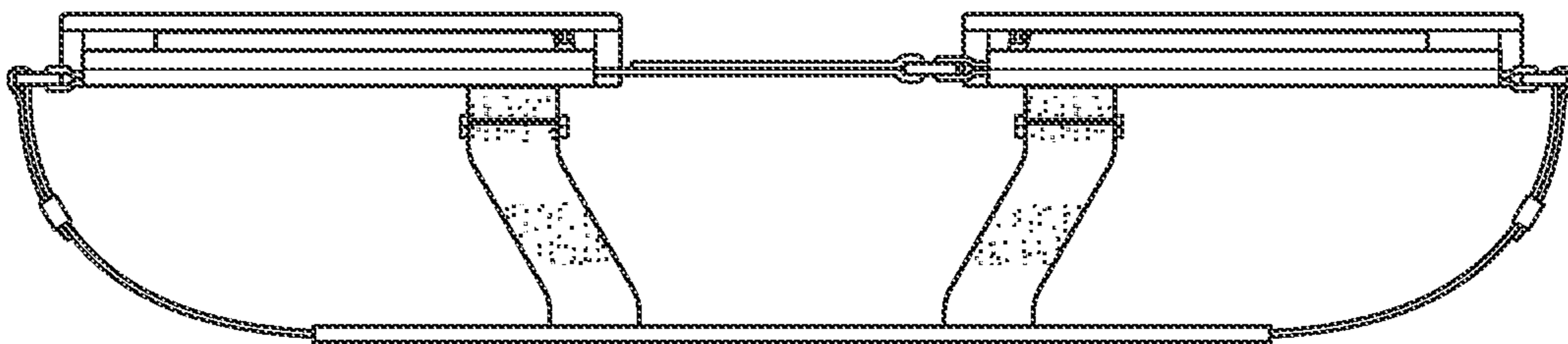
*Fig. 4*



*Fig. 5*



*Fig. 6*



*Fig. 7*