



US00D915762S

(12) **United States Design Patent**
Li

(10) **Patent No.:** **US D915,762 S**
(45) **Date of Patent:** **** Apr. 13, 2021**

- (54) **PET BAG**
- (71) Applicant: **SHENZHEN KEENSTONE TECHNOLOGY CO., LTD**, Shenzhen (CN)
- (72) Inventor: **Zhongrun Li**, Shenzhen (CN)
- (73) Assignee: **SHENZHEN KEENSTONE TECHNOLOGY CO., LTD**, Shenzhen (CN)
- (**) Term: **15 Years**
- (21) Appl. No.: **29/749,282**
- (22) Filed: **Sep. 3, 2020**
- (51) **LOC (13) Cl.** **03-01**
- (52) **U.S. Cl.**
USPC **D3/217; D30/109**
- (58) **Field of Classification Search**
USPC **D3/216, 217; D30/109**
CPC **A01K 1/0254; A01K 1/0245; A01K 1/029; A01K 1/0272; A01K 1/0236; A01K 1/0035; A01K 1/0064; A45F 2003/003; A45F 3/04; A45C 2003/002; A45C 7/0063; A45C 7/0077; A45C 5/06**
See application file for complete search history.

D746,584 S *	1/2016	McDonald	D3/216
D762,059 S *	7/2016	Kliot	D3/217
D778,595 S	2/2017	Zurowski		
D805,762 S *	12/2017	Lopez Avila	D3/217
10,405,621 B2 *	9/2019	Lopez Avila	A45C 13/103
D876,826 S	3/2020	Watson		
D881,554 S *	4/2020	Bellofatto, Jr.	D3/217
2005/0133399 A1 *	6/2005	Fidrych	A45F 3/04 206/545
2011/0174811 A1 *	7/2011	Sabounjian	D06F 95/002 220/9.2
2012/0267365 A1 *	10/2012	Sabounjian	A45C 13/02 220/6
2013/0026204 A1 *	1/2013	Abramowitz	A43B 5/0425 224/613

* cited by examiner

Primary Examiner — Jennifer L Watkins

(57) **CLAIM**

The ornamental design for a pet bag, as shown and described.

DESCRIPTION

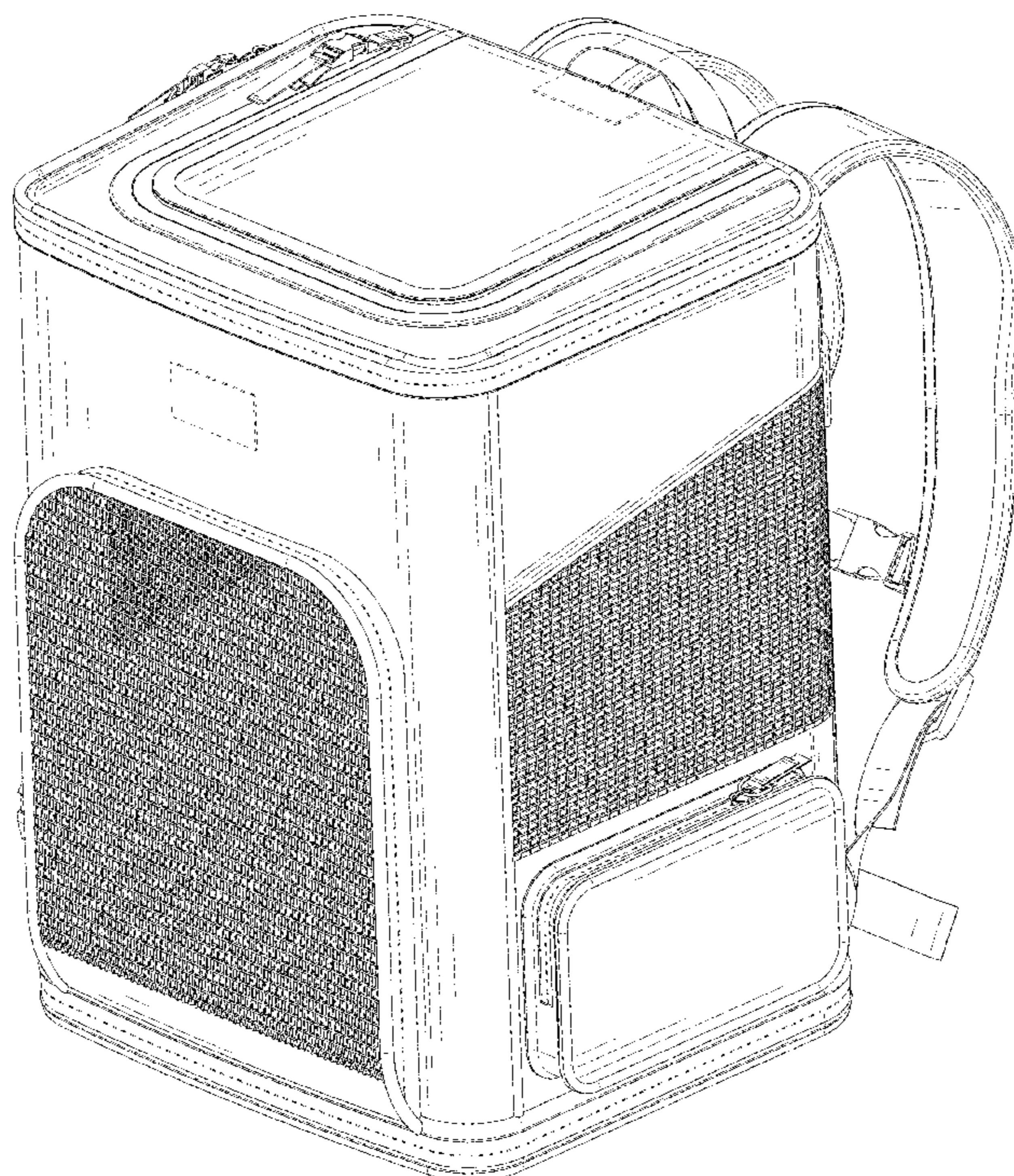
FIG. 1 is a perspective view of a pet bag showing my new design;
 FIG. 2 is another perspective view thereof;
 FIG. 3 is a front elevational view thereof;
 FIG. 4 is a rear elevational view thereof;
 FIG. 5 is a left side elevational view thereof;
 FIG. 6 is a right side elevational view thereof;
 FIG. 7 is a top plan view thereof; and,
 FIG. 8 is a bottom plan view thereof.
 The broken lines in the drawings depict portions of the pet bag that form no part of the claimed design.

(56) **References Cited**

U.S. PATENT DOCUMENTS

- D558,406 S * 12/2007 King D30/109
- 7,845,507 B2 * 12/2010 Kellogg D06F 95/002
220/6
- D634,932 S * 3/2011 Sabounjian D3/299

1 Claim, 8 Drawing Sheets



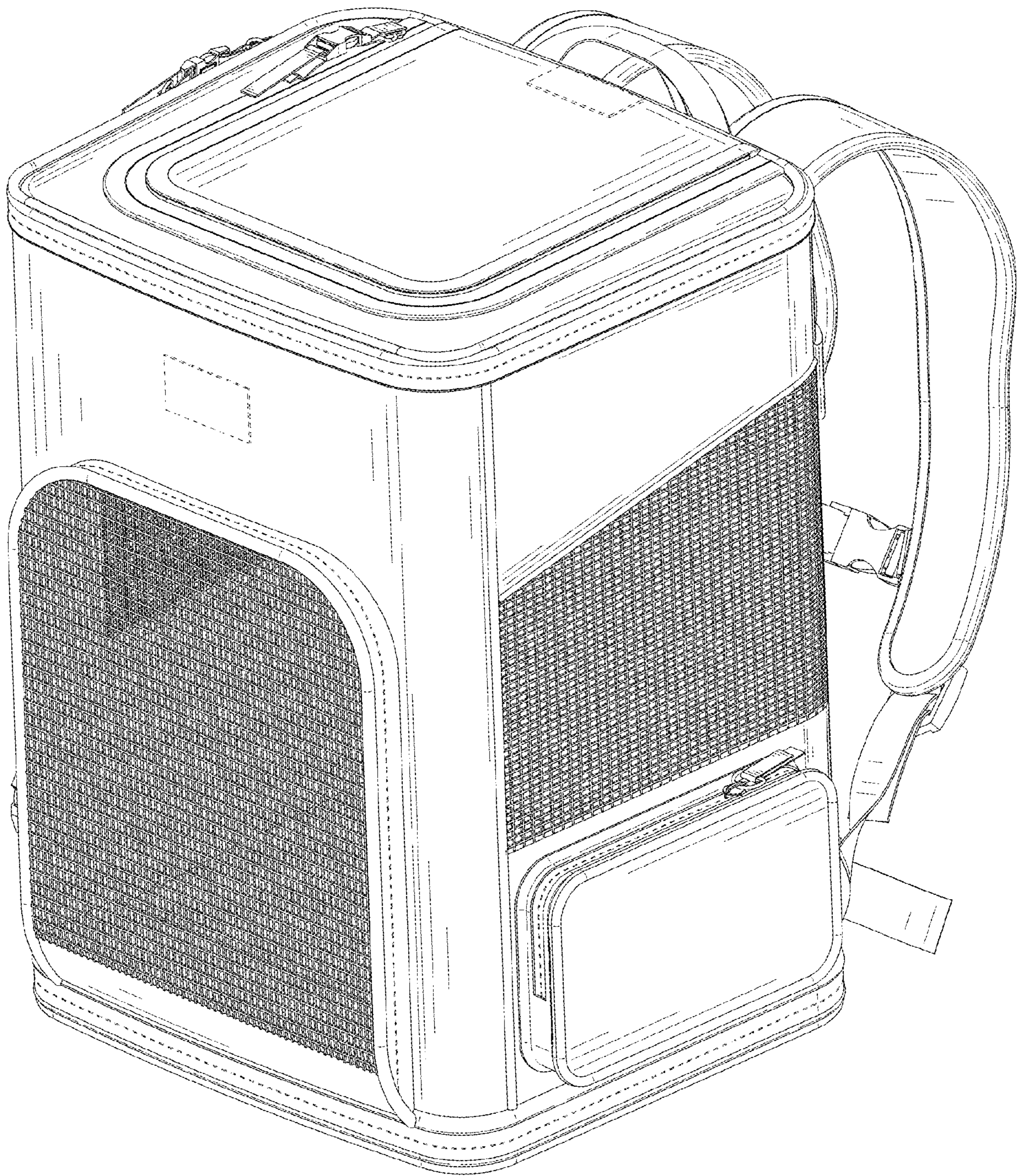


FIG. 1

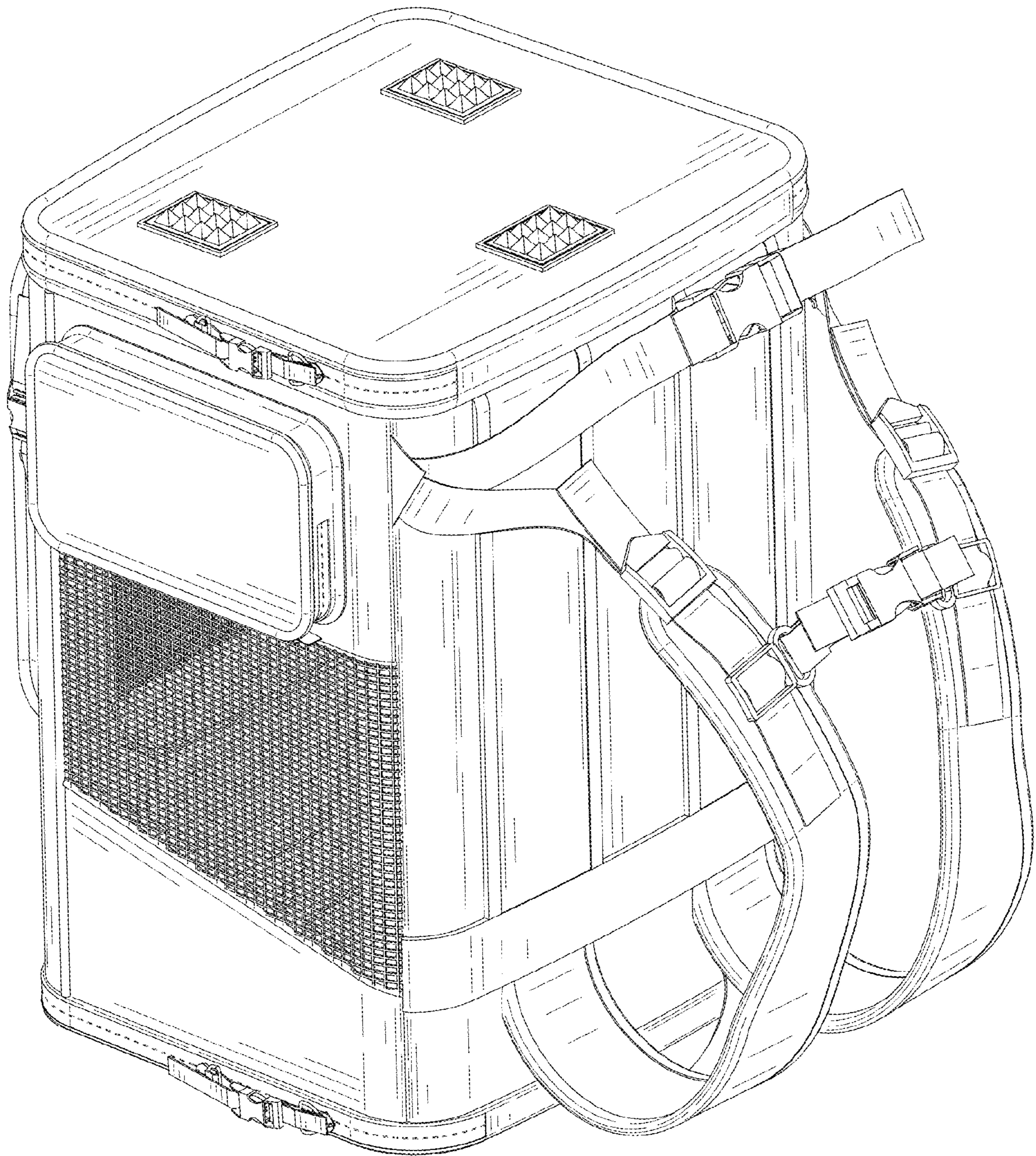


FIG. 2

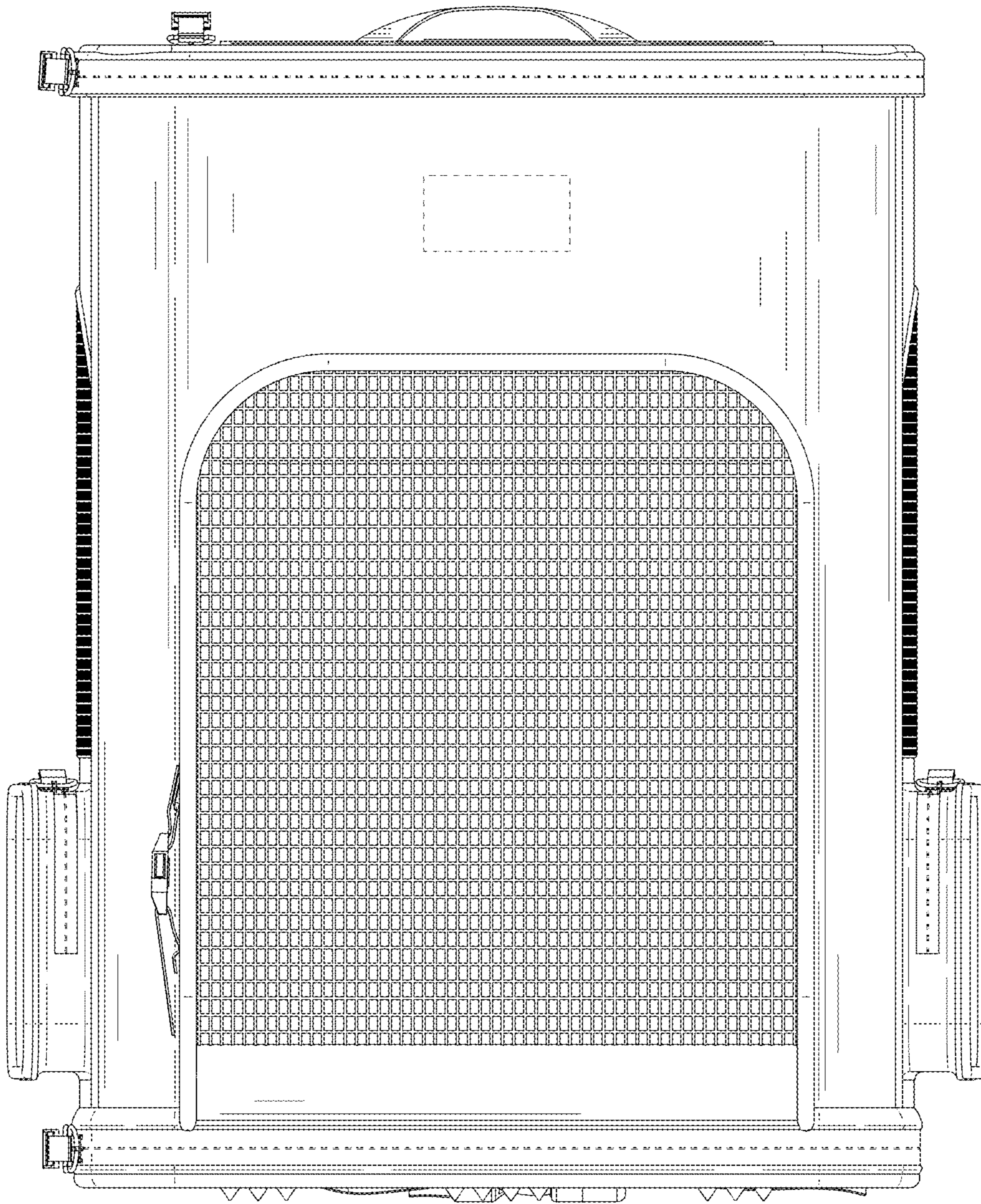


FIG. 3

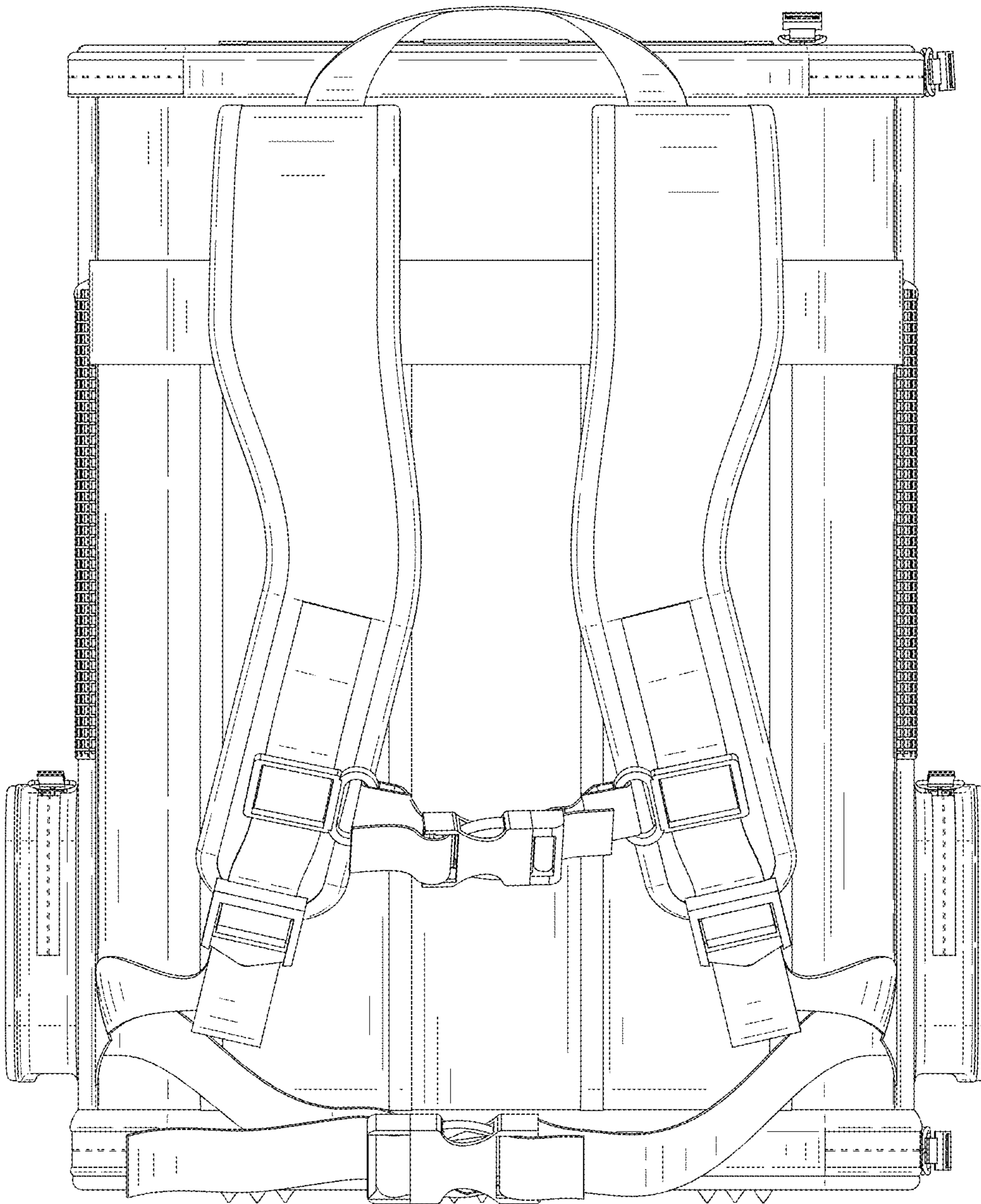


FIG. 4

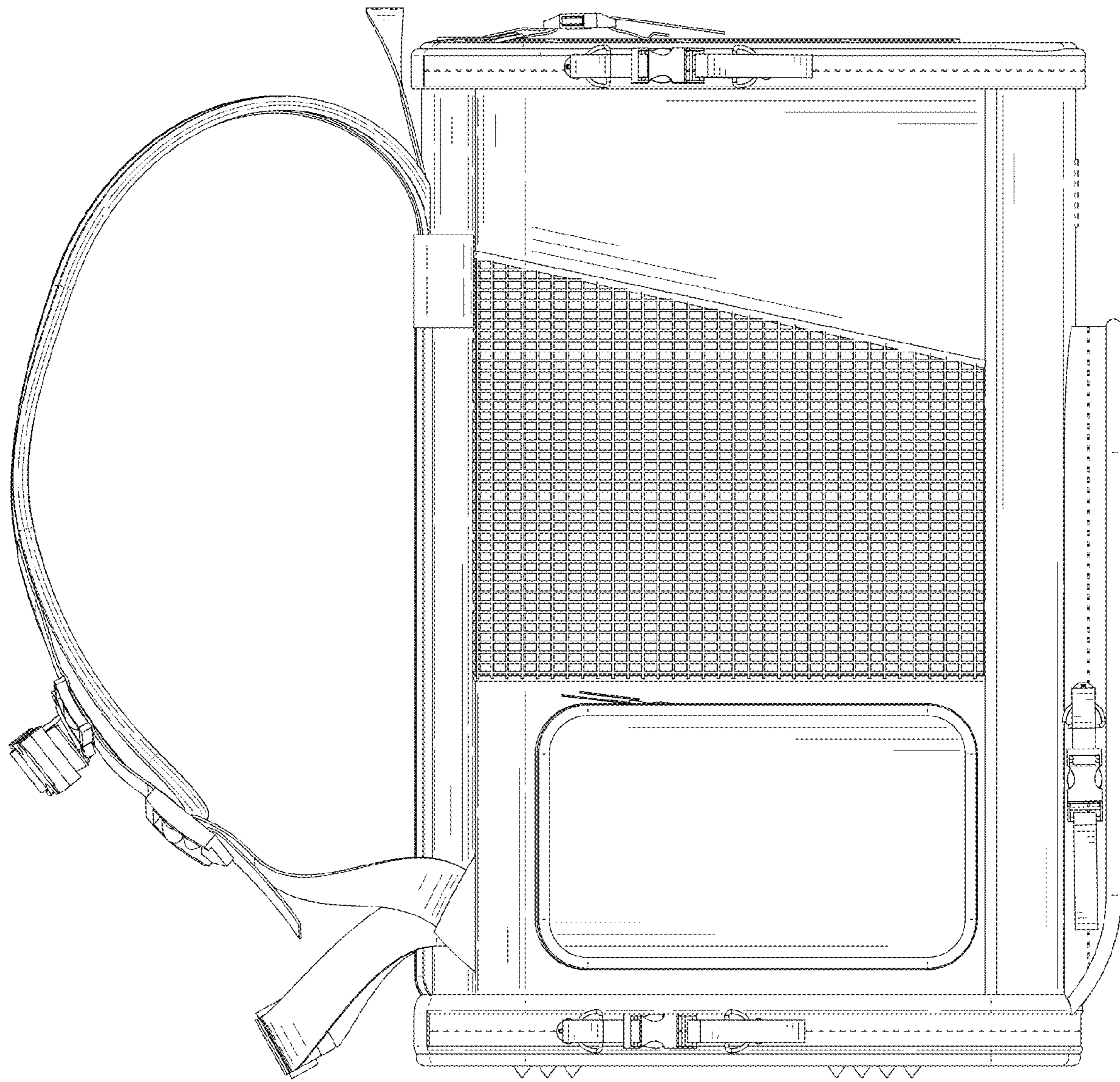


FIG. 5

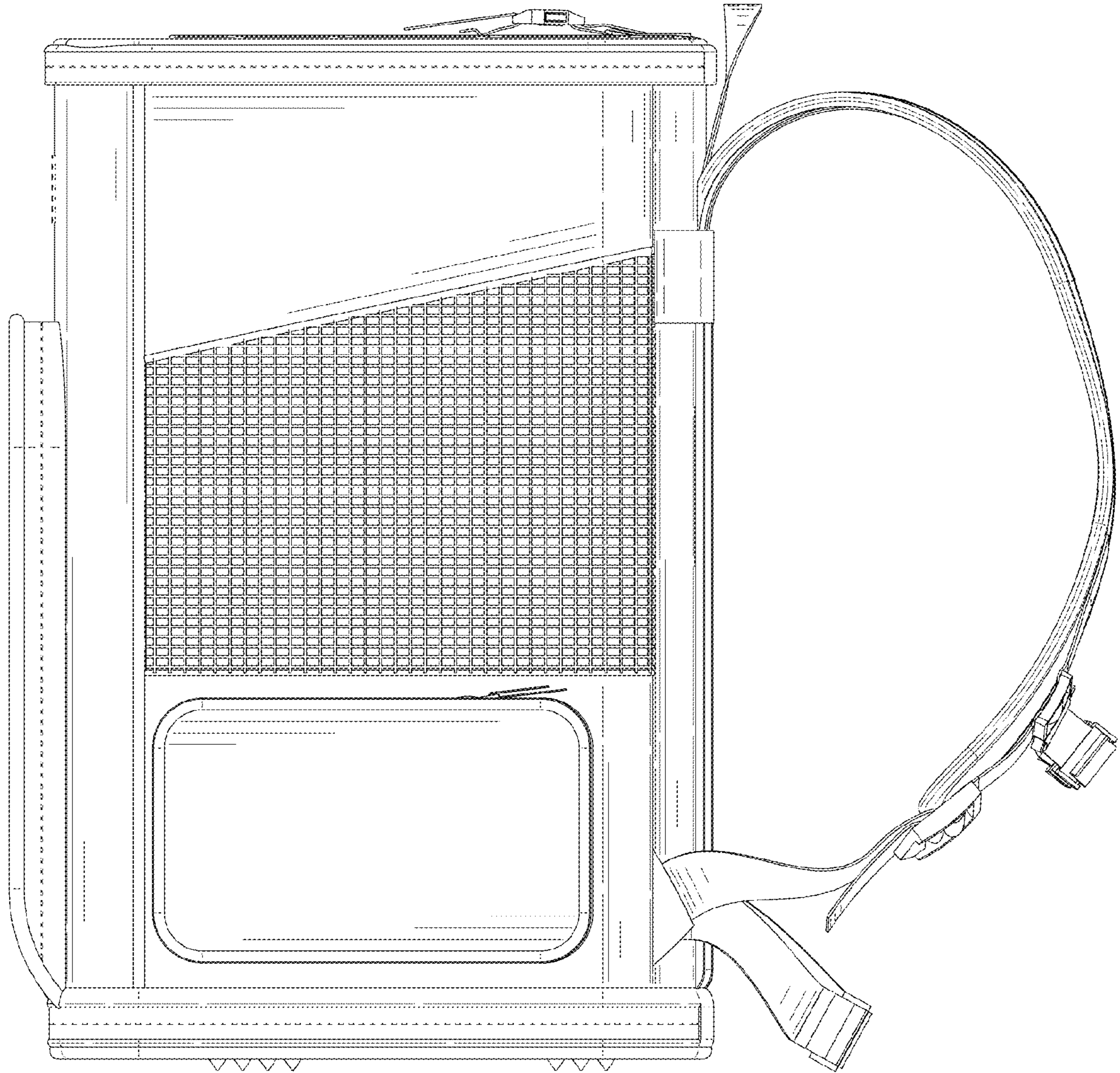


FIG. 6

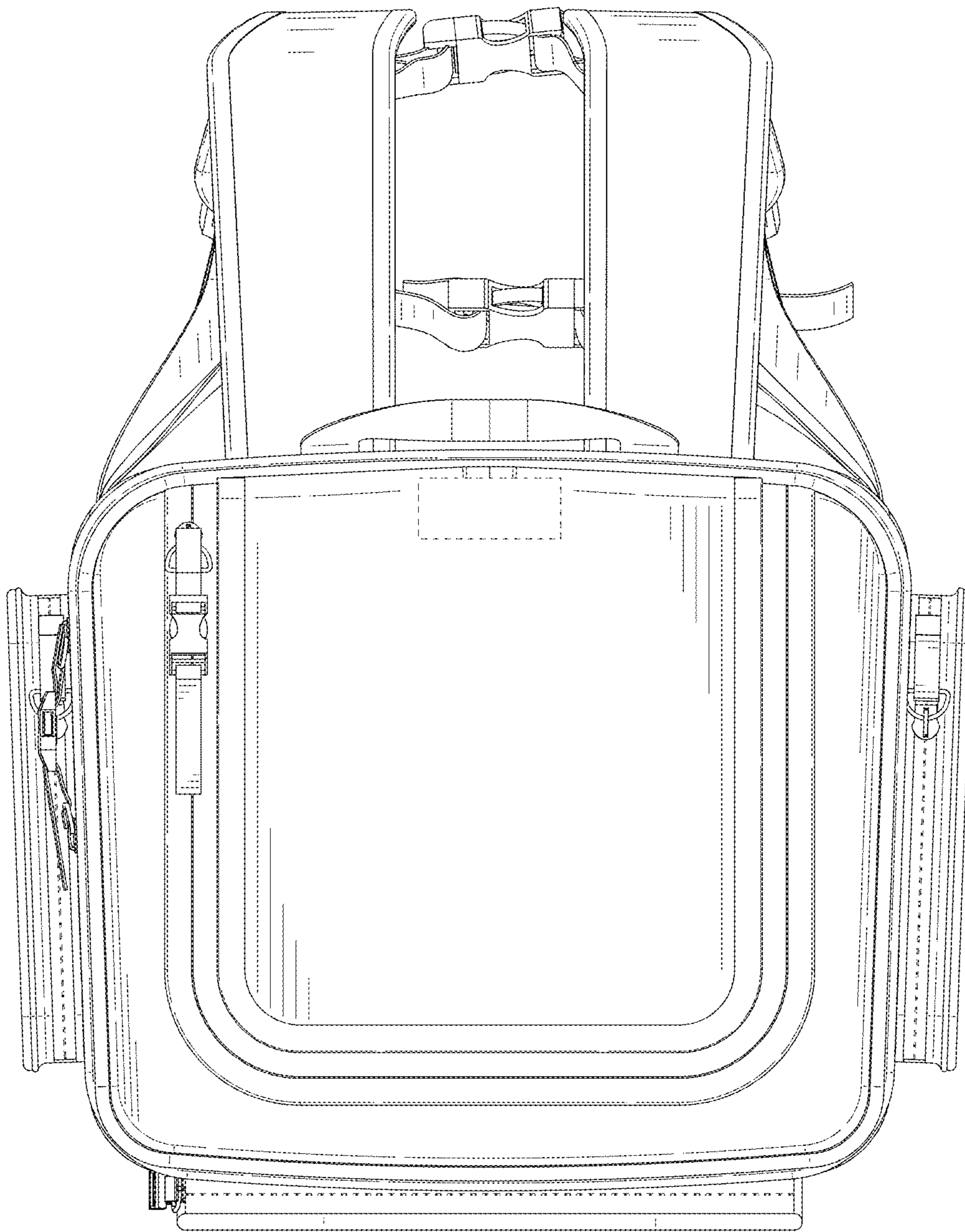


FIG. 7

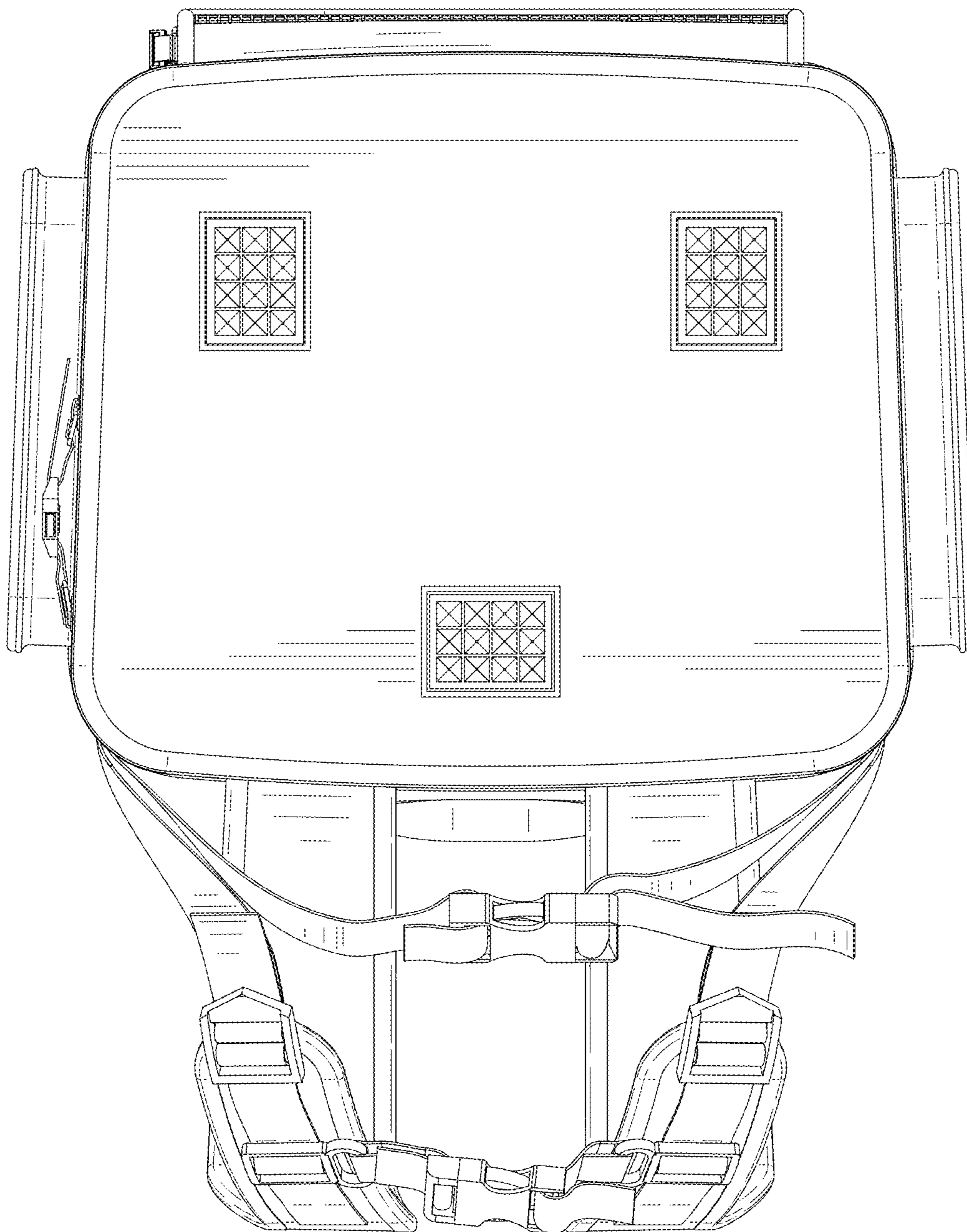


FIG. 8