



US00D915746S

(12) **United States Design Patent**  
**Van De Stouwe**

(10) **Patent No.:** **US D915,746 S**  
(45) **Date of Patent:** **\*\* Apr. 13, 2021**

- (54) **SOLE FOR FOOTWEAR**
- (71) Applicant: **J. Choo Limited**, London (GB)
- (72) Inventor: **John Maurice Van De Stouwe**, London (GB)
- (73) Assignee: **J. Choo Limited**, London (GB)
- (\*\*) Term: **15 Years**

D302,898 S	8/1989	Greenberg	
D373,462 S	9/1996	Boyer	
D569,587 S *	5/2008	James	D2/908
D569,588 S *	5/2008	James	D2/908
D577,880 S *	10/2008	White	D2/896
D584,033 S *	1/2009	Dolce	D2/902
D613,041 S *	4/2010	Thompson	D2/902
D613,480 S *	4/2010	Lamont	D2/902
D613,481 S *	4/2010	Yarn	D2/902

(Continued)

- (21) Appl. No.: **29/712,583**
- (22) Filed: **Nov. 8, 2019**
- (30) **Foreign Application Priority Data**

May 20, 2019 (EM) ..... 006486650-0005  
 May 20, 2019 (EM) ..... 006486650-0006

- (51) **LOC (13) Cl.** ..... **02-04**
- (52) **U.S. Cl.**  
USPC ..... **D2/947**

- (58) **Field of Classification Search**  
USPC ..... D2/902, 906, 908, 916, 918, 925,  
D2/946-962, 977; 36/1, 1.5, 3 B, 22 R,  
36/24.5, 25 R, 28, 32 R, 34 R, 59 C,  
36/67 A, 101-107, 114-116, 117.3, 117.4,  
36/124-136  
CPC ..... A43B 13/00; A43B 13/02; A43B 13/023;  
A43B 13/026; A43B 13/04; A43B 13/08;  
A43B 13/10; A43B 13/12; A43B 13/14;  
A43B 13/141; A43B 13/143; A43B  
13/16; A43B 13/18; A43B 13/181; A43B  
13/187; A43B 13/189; A43B 13/20; A43B  
13/22; A43B 13/223; A43B 13/24; A43B  
13/28; A43B 13/30; A43B 13/32; A43B  
13/34; A43B 13/36

See application file for complete search history.

- (56) **References Cited**  
U.S. PATENT DOCUMENTS

D296,039 S \* 6/1988 Diaz ..... D2/955  
 D296,040 S \* 6/1988 Le ..... D2/953

**OTHER PUBLICATIONS**

Nike Mens Air Force One Sneaker (Sizes 7-14) White—Footwear/  
Sneakers 10, Amazon.com, Date First Available: Oct. 16, 2009,  
[online], [site visited Nov. 2, 2020]. <URL: <https://www.amazon.com/NIKE-FORCE-SNEAKER-SIZES-White/dp/B001NGKPEQ>>  
(Year: 2009).\*

(Continued)

*Primary Examiner* — T Chase Nelson  
*Assistant Examiner* — Jonathan J. Han  
 (74) *Attorney, Agent, or Firm* — Fross Zelnick Lehrman  
 & Zissu, P.C.; Lawrence E. Apolzon, Esq.

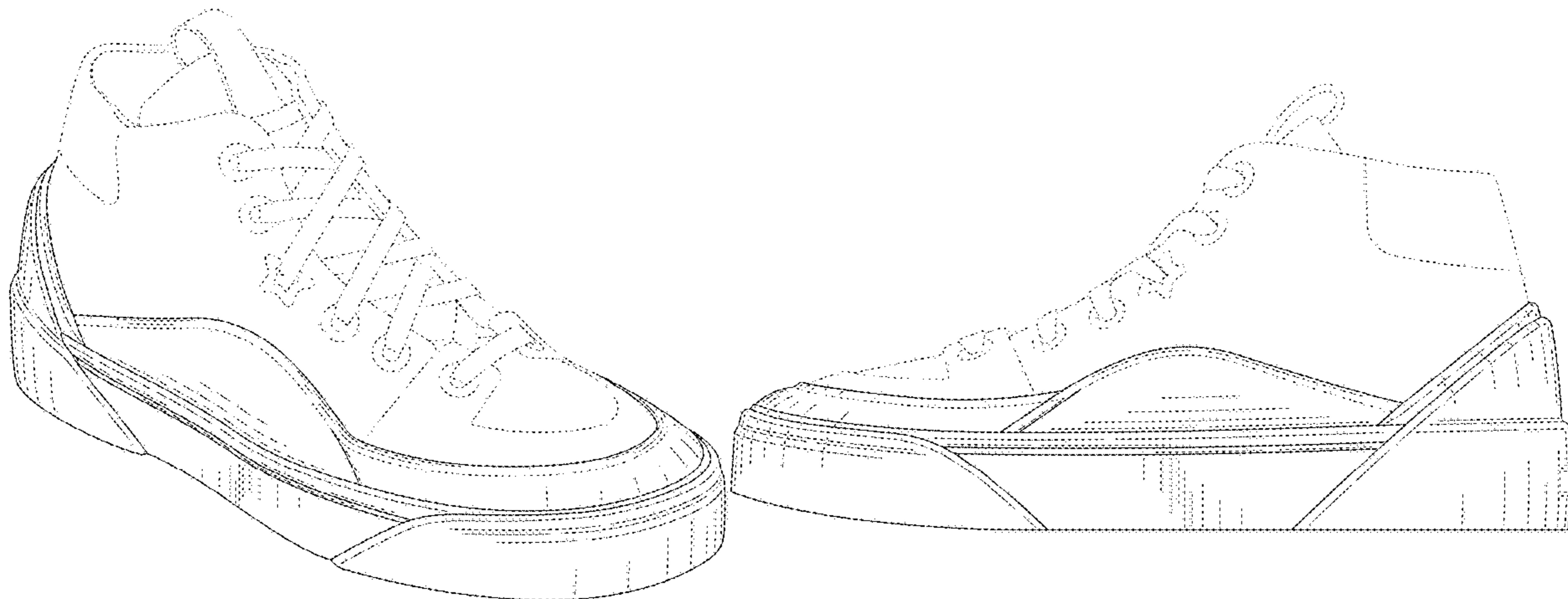
(57) **CLAIM**

The ornamental design for a sole for footwear, as shown and described.

**DESCRIPTION**

FIG. 1 is a front perspective view of a sole for footwear showing my new design;  
 FIG. 2 is a front view thereof;  
 FIG. 3 is a back view thereof;  
 FIG. 4 is a left side view thereof;  
 FIG. 5 is a right side view thereof; and,  
 FIG. 6 is a top view thereof.  
 The broken lines in the drawings show unclaimed environment and form no part of the claimed design.

**1 Claim, 5 Drawing Sheets**



(56)

**References Cited**

## U.S. PATENT DOCUMENTS

D632,876	S	*	2/2011	Choi	.....	D2/896
D670,479	S	*	11/2012	Maier	.....	D2/907
D680,714	S	*	4/2013	Della Valle	.....	D2/908
D681,317	S	*	5/2013	Della Valle	.....	D2/908
D762,953	S	*	8/2016	Del Biondi	.....	D2/923
D762,955	S	*	8/2016	Buscemi	.....	D2/943
D769,586	S	*	10/2016	Buscemi	.....	D2/902
D783,244	S	*	4/2017	Cappini	.....	D2/943
D787,789	S	*	5/2017	Del Biondi	.....	D2/923
D789,045	S	*	6/2017	Van Assche	.....	D2/908
D792,683	S	*	7/2017	Carroll	.....	D2/902
D793,676	S	*	8/2017	Slimane	.....	D2/902
D793,677	S	*	8/2017	Slimane	.....	D2/902
D796,160	S	*	9/2017	Guichot	.....	D2/902
D812,870	S	*	3/2018	Laska	.....	D2/945
D821,728	S	*	7/2018	Sokol	.....	D2/972
D833,126	S	*	11/2018	Laska	.....	D2/923
D864,548	S	*	10/2019	Matthews	.....	D2/972
D865,348	S	*	11/2019	Dieudonne	.....	D2/972
D866,157	S	*	11/2019	Behr	.....	D2/972
D872,981	S	*	1/2020	Hooper	.....	D2/943
D874,797	S	*	2/2020	Fongher	.....	D2/923
D882,912	S	*	5/2020	Nalls, Jr.	.....	D2/946
D886,418	S	*	6/2020	Hardy	.....	D2/897

## OTHER PUBLICATIONS

Nike Killshot 2 Leather, Nike.com, [online], [site visited Nov. 2, 2020]. <URL: <https://www.nike.com/t/killshot-2-leather-mens-shoe-zrq1wk>> (Year: 2020).\*

Koio, Olivela.com, [online], [site visited Nov. 2, 2020]. <URL: [https://www.olivela.com/products/koio-mens-capri-sneaker-606760?campaignId=10247614733&gclid=EAlalQobChMI9P6Erl317AIV\\_YpaBR0zkwztEAKYBSABEgK0S\\_D\\_BwE](https://www.olivela.com/products/koio-mens-capri-sneaker-606760?campaignId=10247614733&gclid=EAlalQobChMI9P6Erl317AIV_YpaBR0zkwztEAKYBSABEgK0S_D_BwE)> (Year: 2020).\*

\* cited by examiner



FIG. 1



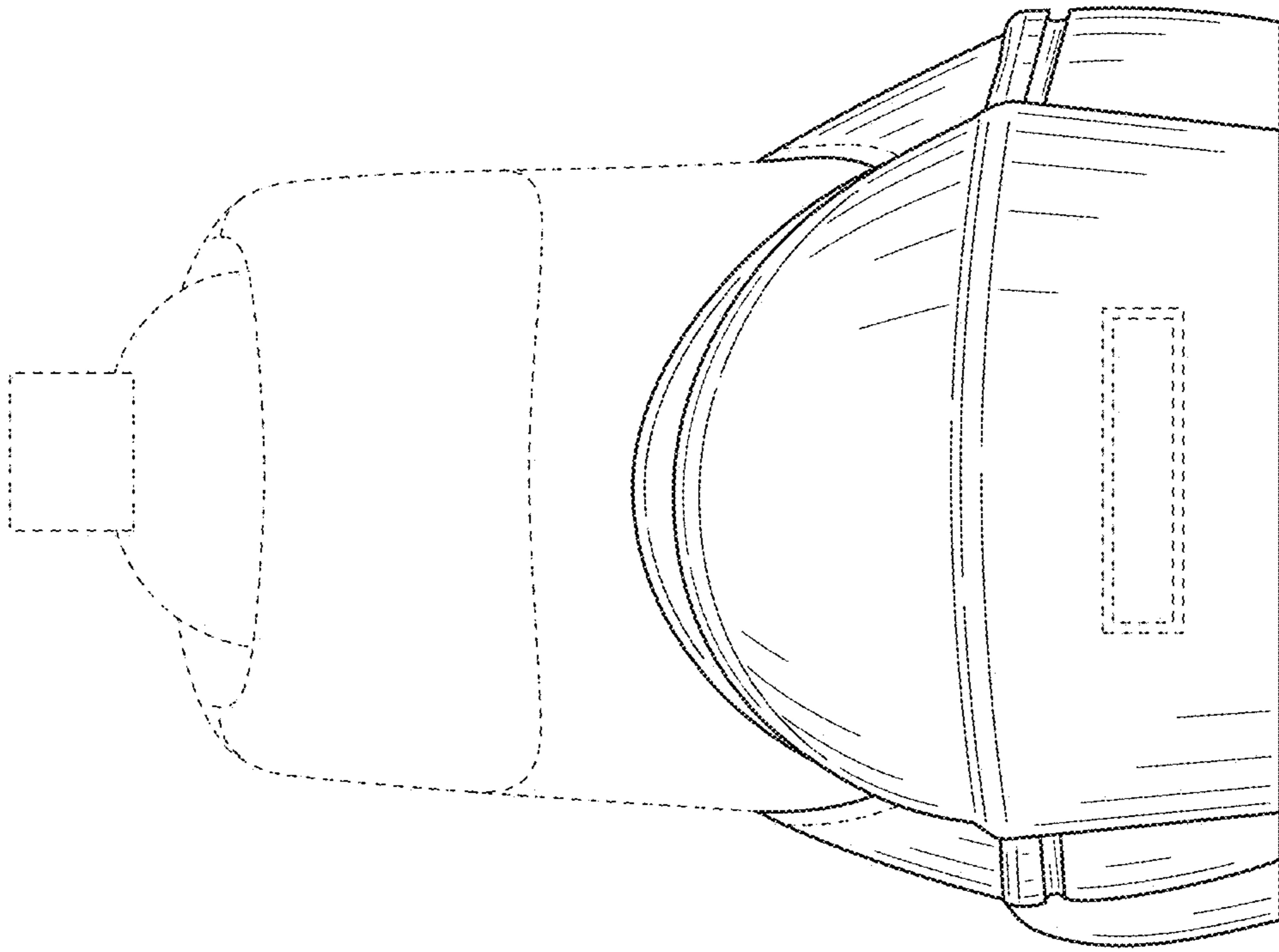


FIG. 3

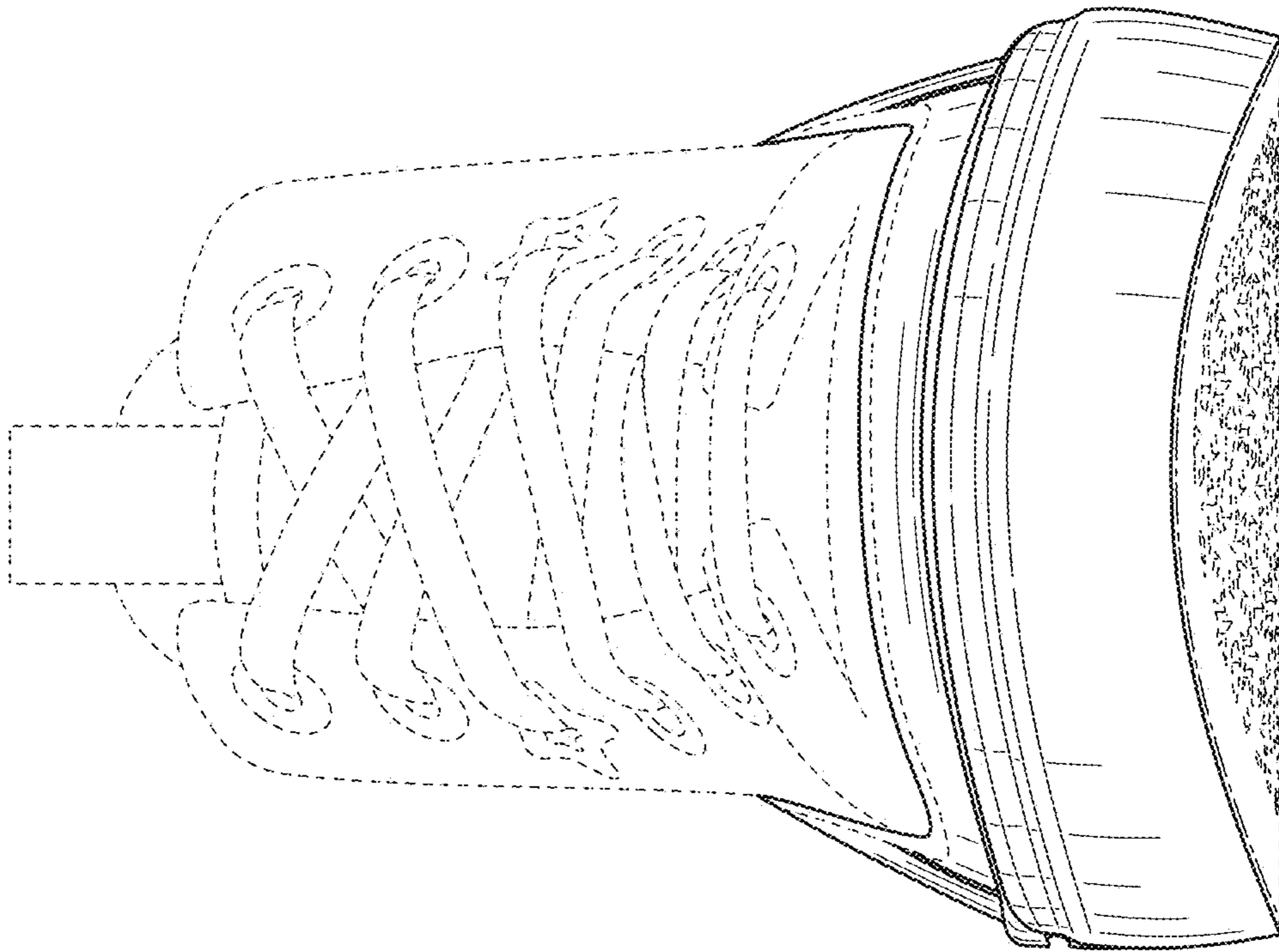


FIG. 2

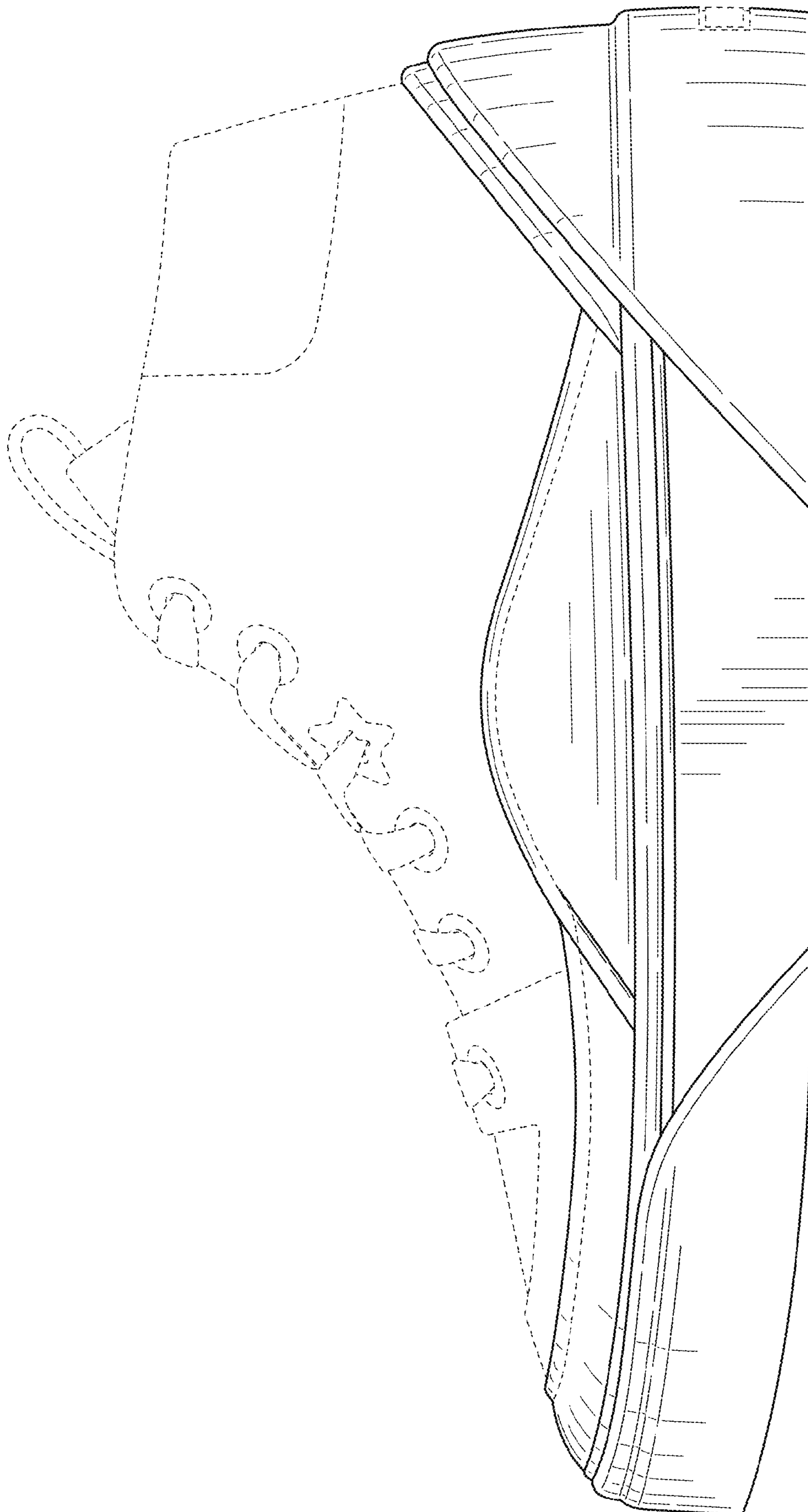


FIG. 4

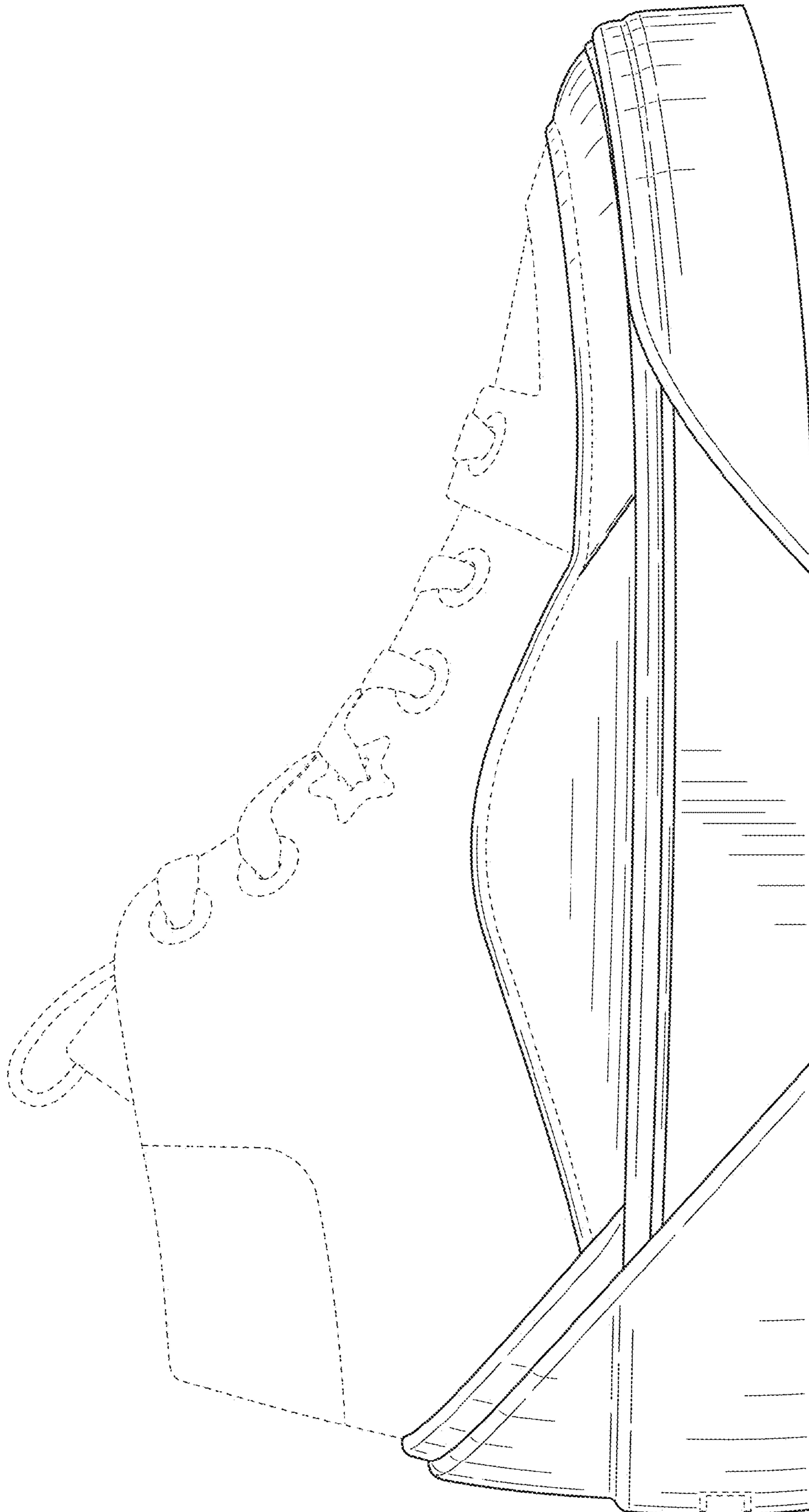


FIG. 5

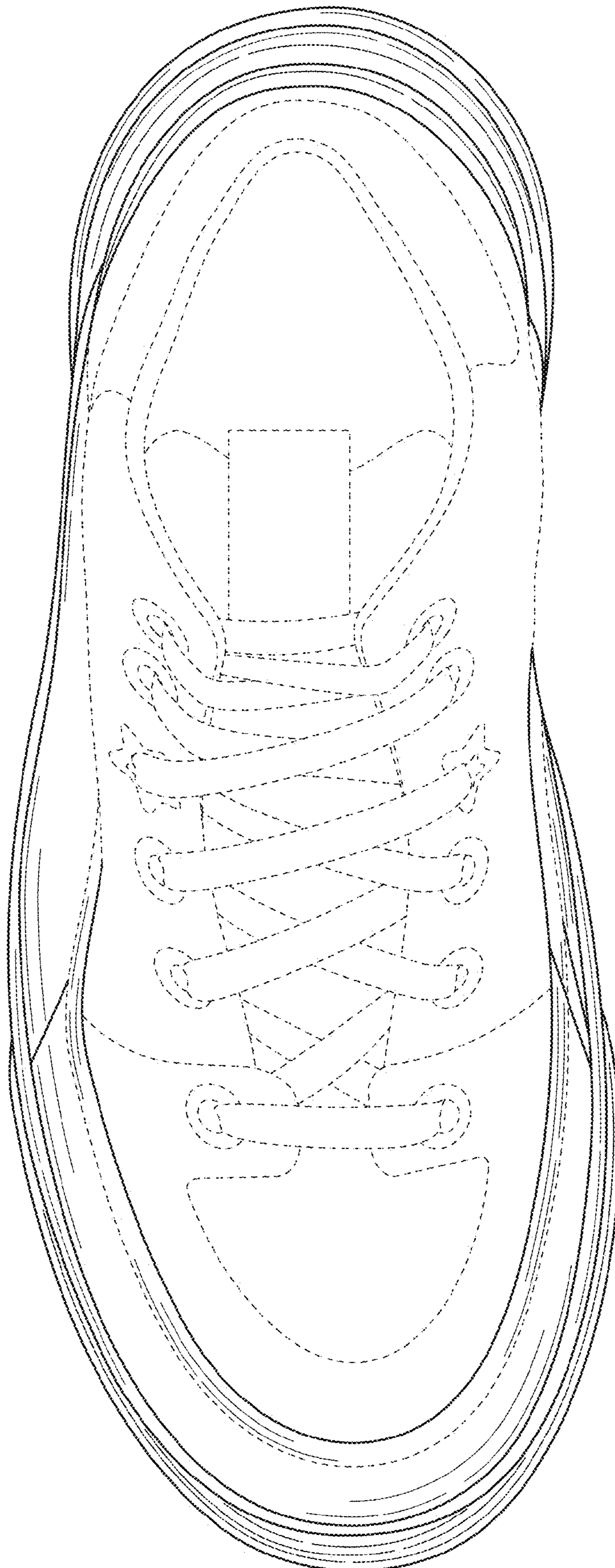


FIG. 6