



US00D915745S

(12) **United States Design Patent**  
**Little**

(10) **Patent No.:** **US D915,745 S**

(45) **Date of Patent:** **\*\* Apr. 13, 2021**

- (54) **SHOE**
- (71) Applicant: **NIKE, Inc.**, Beaverton, OR (US)
- (72) Inventor: **Drew Little**, Portland, OR (US)
- (73) Assignee: **NIKE, Inc.**, Beaverton, OR (US)
- (\*\*) Term: **15 Years**
- (21) Appl. No.: **29/710,613**
- (22) Filed: **Oct. 24, 2019**
- (51) **LOC (13) Cl.** ..... **02-04**
- (52) **U.S. Cl.**  
USPC ..... **D2/947**
- (58) **Field of Classification Search**  
USPC ..... D2/896, 902-908, 916, 926, 946-947,  
D2/951, 954, 957, 962, 969, 972,  
D2/976-978; 36/3 B, 129, 130, 131, 133,  
36/25 R, 30 R, 31, 32 R  
CPC ..... A43B 13/00; A43B 13/02; A43B 13/04;  
A43B 13/10; A43B 13/12; A43B 13/122;  
A43B 13/14; A43B 23/00; A43B 23/02;  
A43B 23/24; A43B 23/0205; A43B  
23/021; A43B 23/0215; A43B 1/00; A43B  
1/10; A43B 1/12; A43B 1/14; A43B 5/06;  
A43B 5/10  
See application file for complete search history.

D449,426 S *	10/2001	Pollastrelli .....	D2/902
D487,330 S *	3/2004	Magro .....	D2/916
D495,472 S *	9/2004	Magro .....	D2/916
D544,702 S	6/2007	Link	
D741,583 S *	10/2015	Miner .....	D2/947
D748,385 S *	2/2016	Birkinhead .....	D2/960
D791,455 S *	7/2017	Birkinhead .....	D2/960
D792,068 S *	7/2017	Lee .....	D2/954
D803,531 S *	11/2017	Petrie .....	D2/947
D804,793 S *	12/2017	Lee .....	D2/957
D809,756 S *	2/2018	Stavseng .....	D2/947
D821,734 S *	7/2018	Petrie .....	D2/977
D824,645 S *	8/2018	Gibson .....	D2/947
D825,158 S *	8/2018	Petrenka .....	D2/947
D846,243 S *	4/2019	Comeaux .....	D2/947
D850,083 S *	6/2019	Jenkins .....	D2/959
D851,369 S *	6/2019	Petrenka .....	D2/947
D851,370 S *	6/2019	Stavseng .....	D2/947
D851,875 S *	6/2019	Jacobs .....	D2/947
D853,093 S *	7/2019	Young .....	D2/947
D853,094 S *	7/2019	Young .....	D2/947
D854,285 S *	7/2019	Chang .....	D2/947
D854,287 S *	7/2019	Enayah .....	D2/947

(Continued)

*Primary Examiner* — Elizabeth J Oswecki  
*Assistant Examiner* — Yelizaveta Y Masalimova  
 (74) *Attorney, Agent, or Firm* — Banner & Witcoff, Ltd.

(57) **CLAIM**

The ornamental design for a shoe, as shown and described.

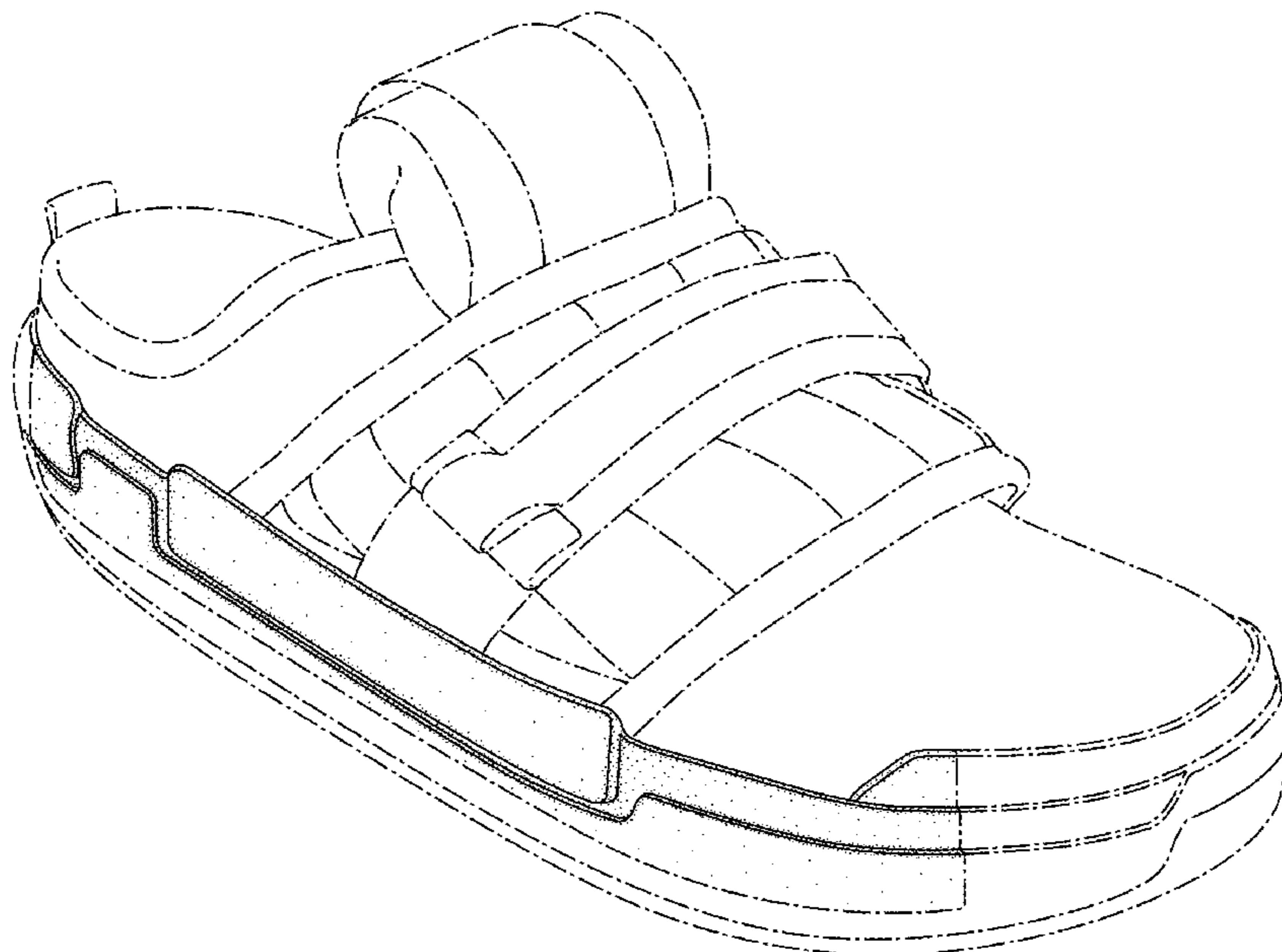
**DESCRIPTION**

FIG. 1 is a front perspective view of a shoe showing my new design;  
 FIG. 2 is a side view thereof; and,  
 FIG. 3 is a rear perspective view thereof.  
 The broken lines immediately adjacent to the shaded area define the bounds of the claimed design and form no part thereof. The broken lines depicting the remainder of the shoe show features that form no part of the claimed design.

**1 Claim, 3 Drawing Sheets**

(56) **References Cited**  
 U.S. PATENT DOCUMENTS

4,776,111 A *	10/1988	Crowley .....	A43B 7/20 36/89
D302,070 S *	7/1989	Kilgore .....	D2/944
D338,326 S *	8/1993	Dolinsky .....	D2/947
D339,674 S *	9/1993	Avar .....	D2/977
D379,861 S *	6/1997	Wunsch .....	D2/947
D437,476 S *	2/2001	Cavallin .....	36/1



(56)

**References Cited**

U.S. PATENT DOCUMENTS

D866,134	S *	11/2019	McMillan .....	D2/947
D872,431	S *	1/2020	Petrenka .....	D2/947
D872,982	S *	1/2020	Kuerbis .....	D2/947
D874,797	S *	2/2020	Fongher .....	D2/923
D877,465	S *	3/2020	Hartmann .....	D2/902
D879,423	S *	3/2020	Engel .....	D2/947
D885,723	S *	6/2020	Lee .....	D2/947
D886,424	S *	6/2020	McKenzie .....	D2/947
D889,787	S *	7/2020	McKenzie .....	D2/947
D900,440	S *	11/2020	Ernst .....	D2/947
D901,140	S *	11/2020	Comeaux .....	D2/947
D906,652	S *	1/2021	Lee .....	D2/947
D908,325	S *	1/2021	Petrenka .....	D2/947
2004/0148803	A1 *	8/2004	Grove .....	A43B 7/14 36/103
2007/0220778	A1 *	9/2007	Fusco .....	A43B 13/125 36/30 R
2010/0122471	A1 *	5/2010	Edington .....	A43B 7/144 36/28
2018/0125160	A1 *	5/2018	Dojan .....	A43B 13/20

\* cited by examiner

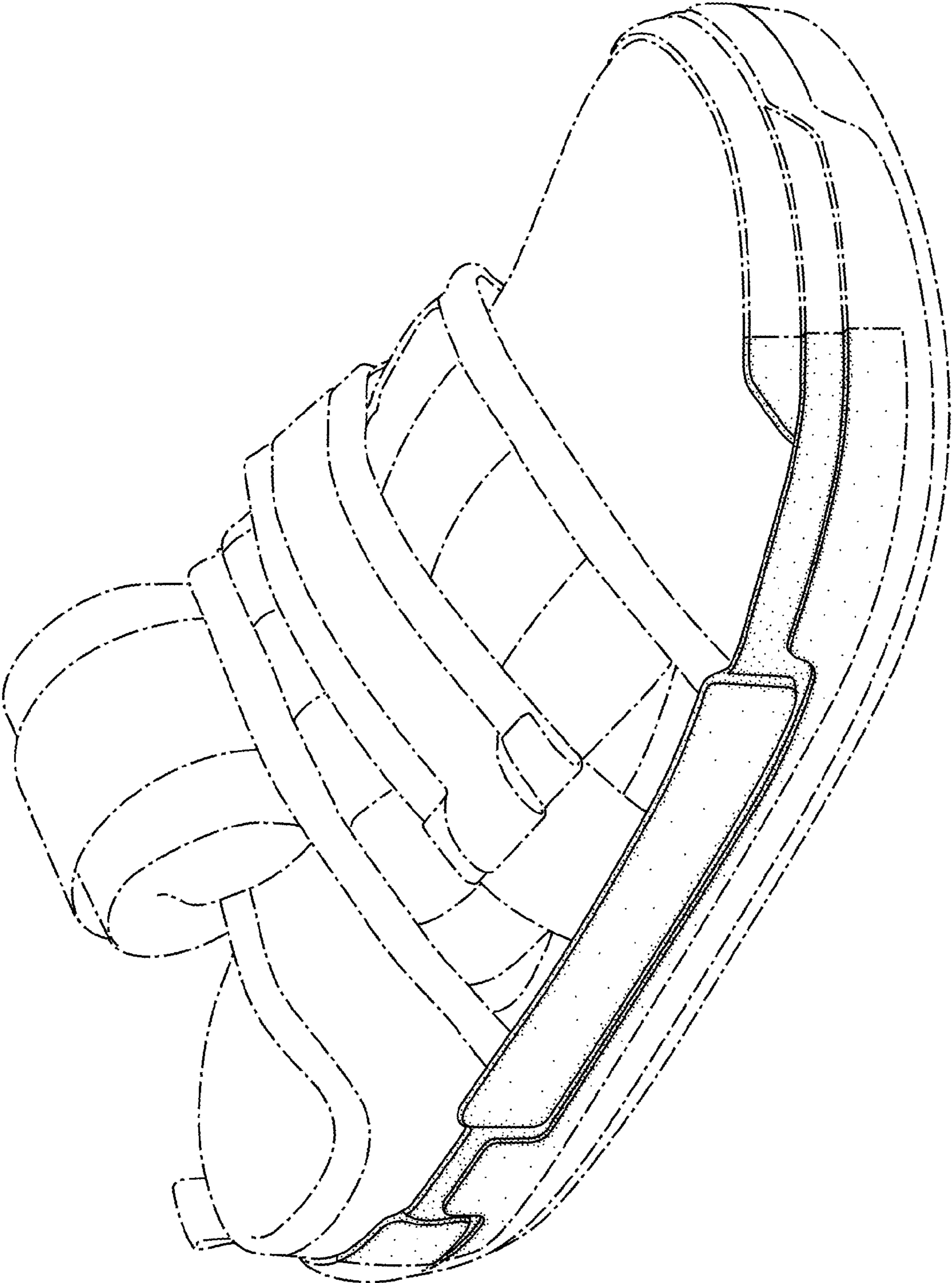


FIG. 1

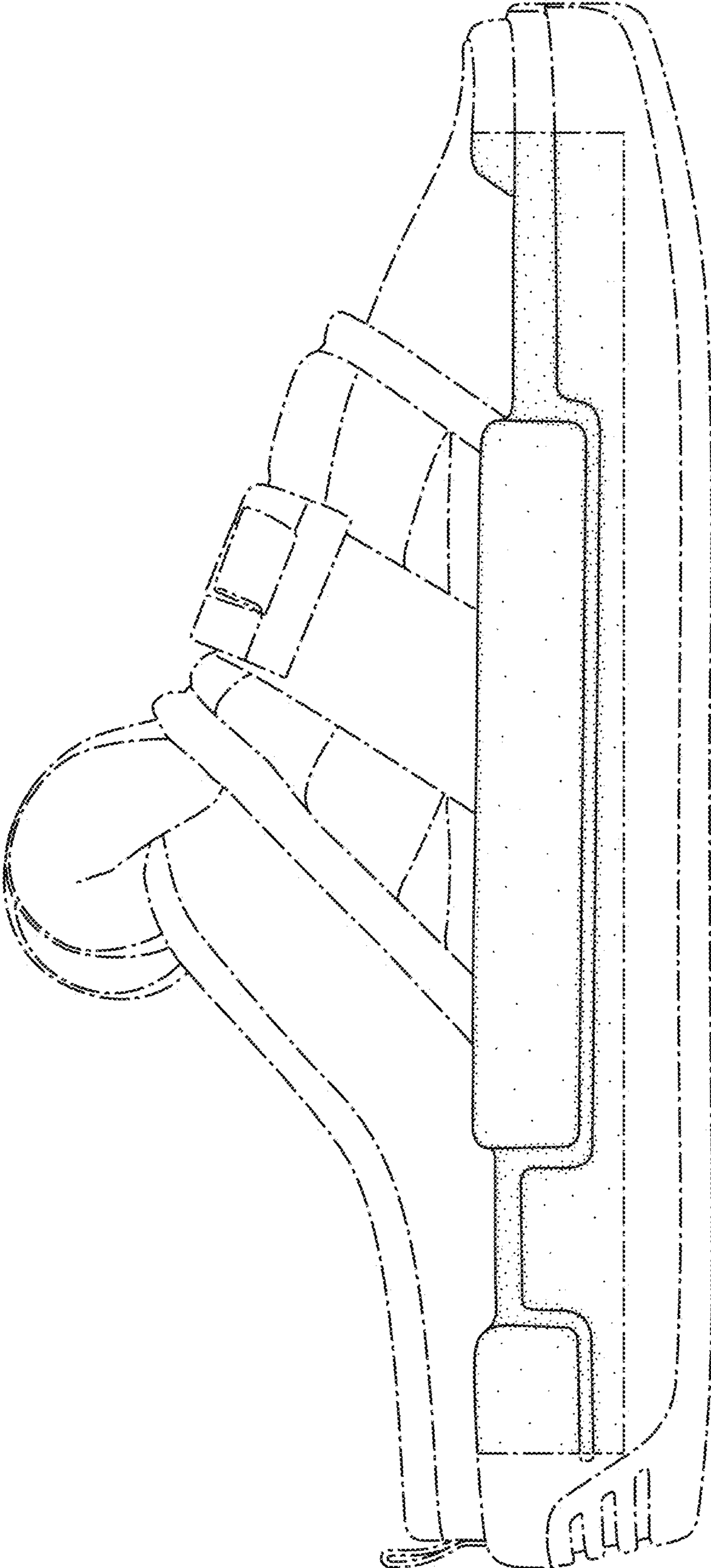


FIG. 2



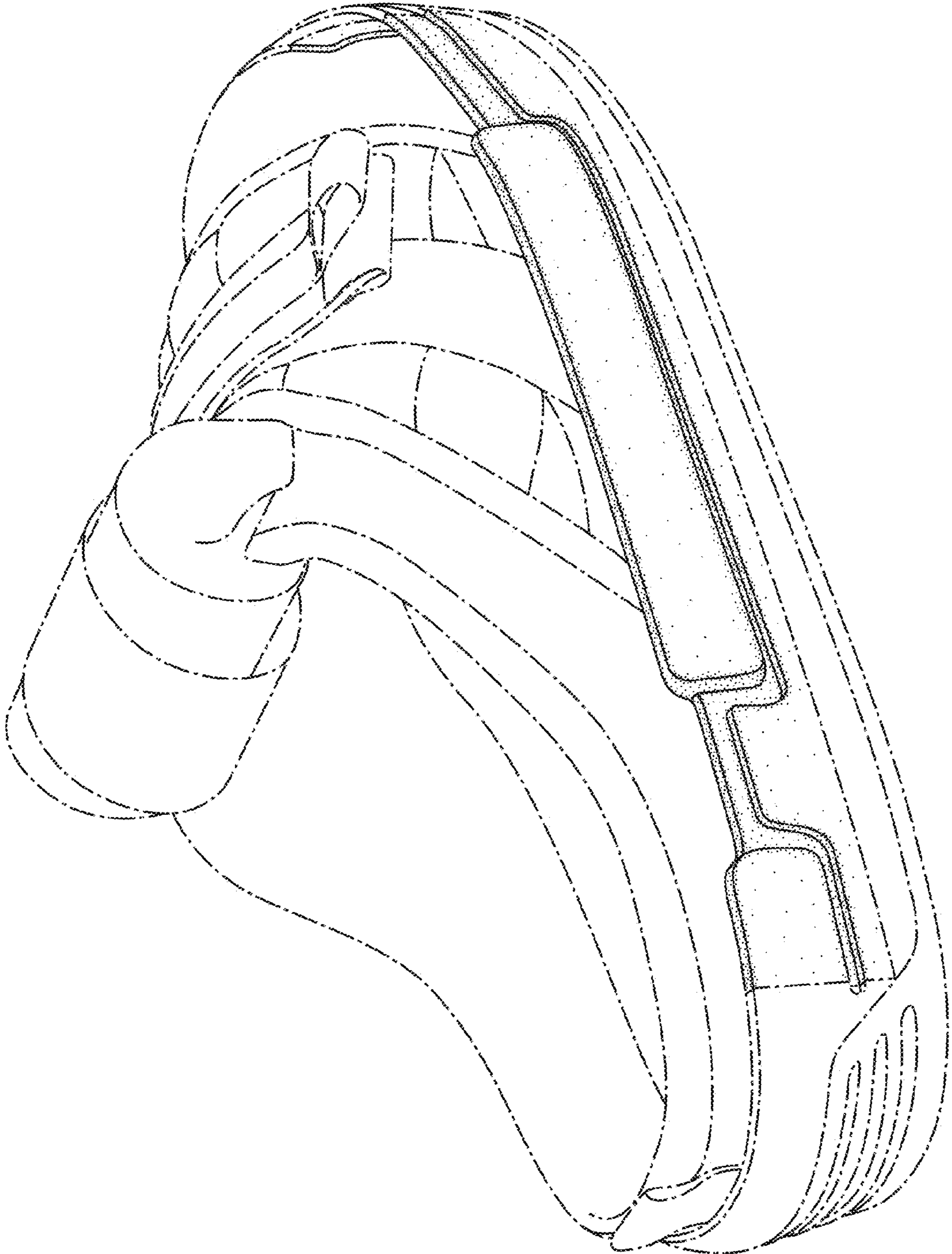


FIG. 3