



US00D915727S

(12) **United States Design Patent** (10) **Patent No.:** **US D915,727 S**
Goldmeier (45) **Date of Patent:** **** Apr. 13, 2021**

(54) **DOG HOUSE-SHAPED HOT DOG BREAD ROLL**

(71) Applicant: **Steven Goldmeier**, Plainview, NY (US)

(72) Inventor: **Steven Goldmeier**, Plainview, NY (US)

(**) Term: **15 Years**

(21) Appl. No.: **29/719,139**

(22) Filed: **Dec. 31, 2019**

(51) **LOC (13) Cl.** **01-01**

(52) **U.S. Cl.**
USPC **D1/106; D1/122; D1/129**

(58) **Field of Classification Search**

USPC D1/100–130, 199; 426/5, 76, 87, 92, 94,
426/95, 99, 101, 103, 108, 138–139, 143,
426/144, 279, 282, 283, 391, 514, 549,
426/660; D21/478–480, 483, 484,
D21/490–494, 501, 502, 506, 508, 509,
D21/511; D30/110, 112; D25/33, 59;
D9/416, 636; 446/108, 114, 124
CPC A63H 33/06; A63H 33/067; A63H 33/084;
A63H 33/04; A63H 33/088; A63H 33/08;
A63F 9/12

See application file for complete search history.

(56) **References Cited**

U.S. PATENT DOCUMENTS

1,816,283 A * 7/1931 Holibaugh A21D 13/32
426/138
1,975,031 A * 9/1934 Wilkes A21B 5/02
426/27
4,251,554 A * 2/1981 Baisden A21B 3/139
426/113
D261,820 S * 11/1981 Yamanaka D1/101
D269,468 S * 6/1983 Babcock 119/428
D326,348 S * 5/1992 Walliker A21D 13/30
D1/122
D432,593 S * 10/2000 Naughton D21/511
D486,277 S * 2/2004 Stern D30/108

D606,213 S * 12/2009 Barbeau D26/26
D695,486 S * 12/2013 Flaksman D1/101
D774,817 S * 12/2016 Aker D6/718.29
D792,675 S * 7/2017 Block D1/106
2005/0103279 A1 * 5/2005 Brewer A01K 1/033
119/498

* cited by examiner

Primary Examiner — Katie Jane Stofko

(74) *Attorney, Agent, or Firm* — Alfred M. Walker

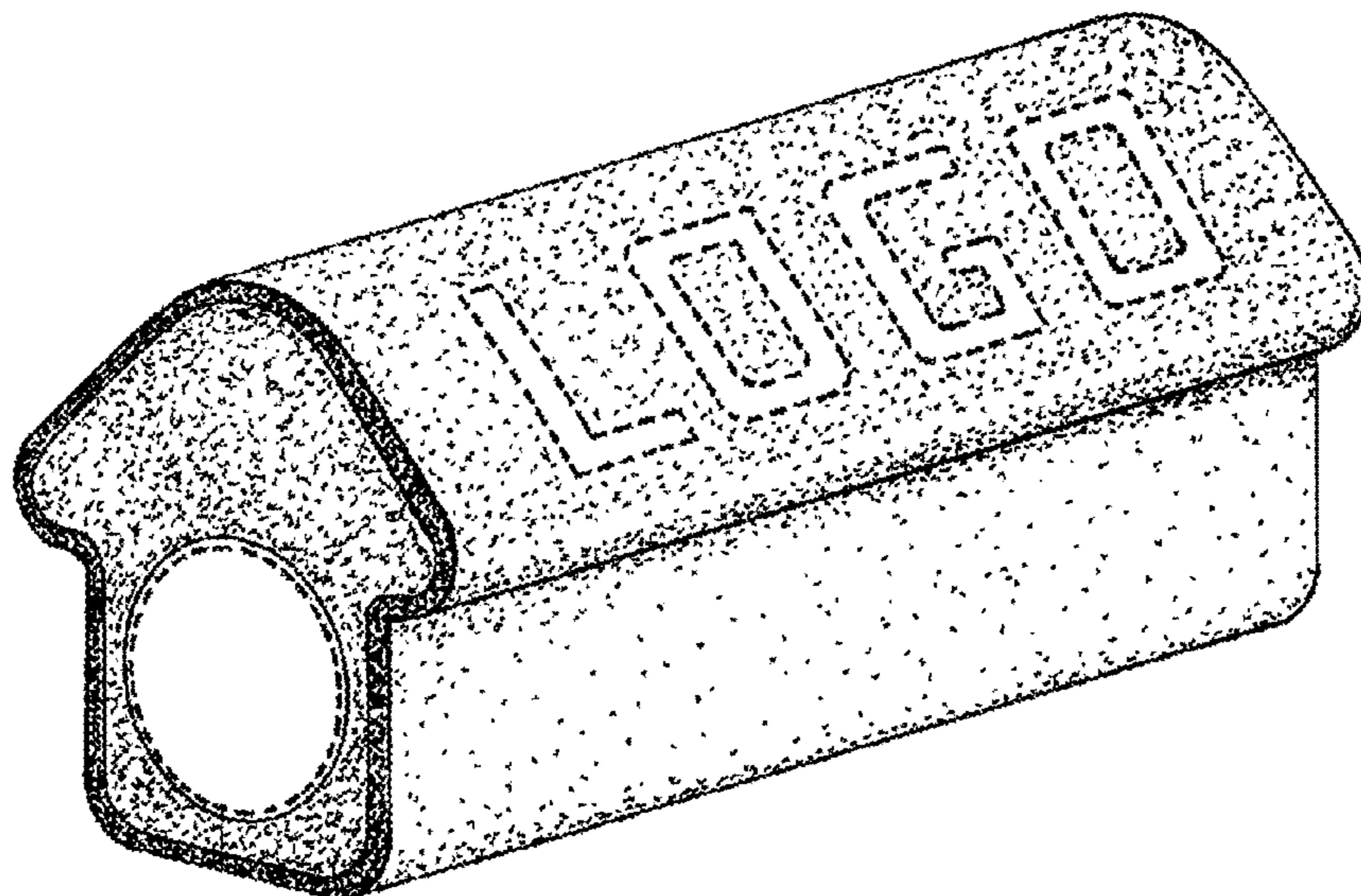
(57) **CLAIM**

I claim the ornamental design for a dog house-shaped hot dog bread roll, as shown and described.

DESCRIPTION

FIG. 1 is a front, top, right side perspective view of a dog house-shaped hot dog bread roll, shown in an environmental use;
FIG. 2 is a front, top, right side perspective view thereof;
FIG. 3 is a front elevation view thereof;
FIG. 4 is a rear elevation view thereof;
FIG. 5 is a top plan view thereof;
FIG. 6 is a tight side elevation view thereof, the left side being a mirror image thereof;
FIG. 7 is a bottom plan view thereof; and,
FIG. 8 is a front, top, right side perspective view thereof, shown in an environment of use.
The broken lines shown in FIGS. 2, 3, 5 and 6 illustrate portions of the dog house-shaped hot dog bread roll that form no part of the claimed design. The broken lines illustrating the person, hot dog, condiments, spoon and bottle in FIGS. 1 and 8 are environment, while the remaining broken lines in FIGS. 1 and 8 illustrate portions of the dog house-shaped hot dog bread roll that form no part of the claimed design.
The more concentrated stippled shading and less concentrated stippled shading shown in FIGS. 1-4 and 8 represent a contrasting appearance.

1 Claim, 4 Drawing Sheets



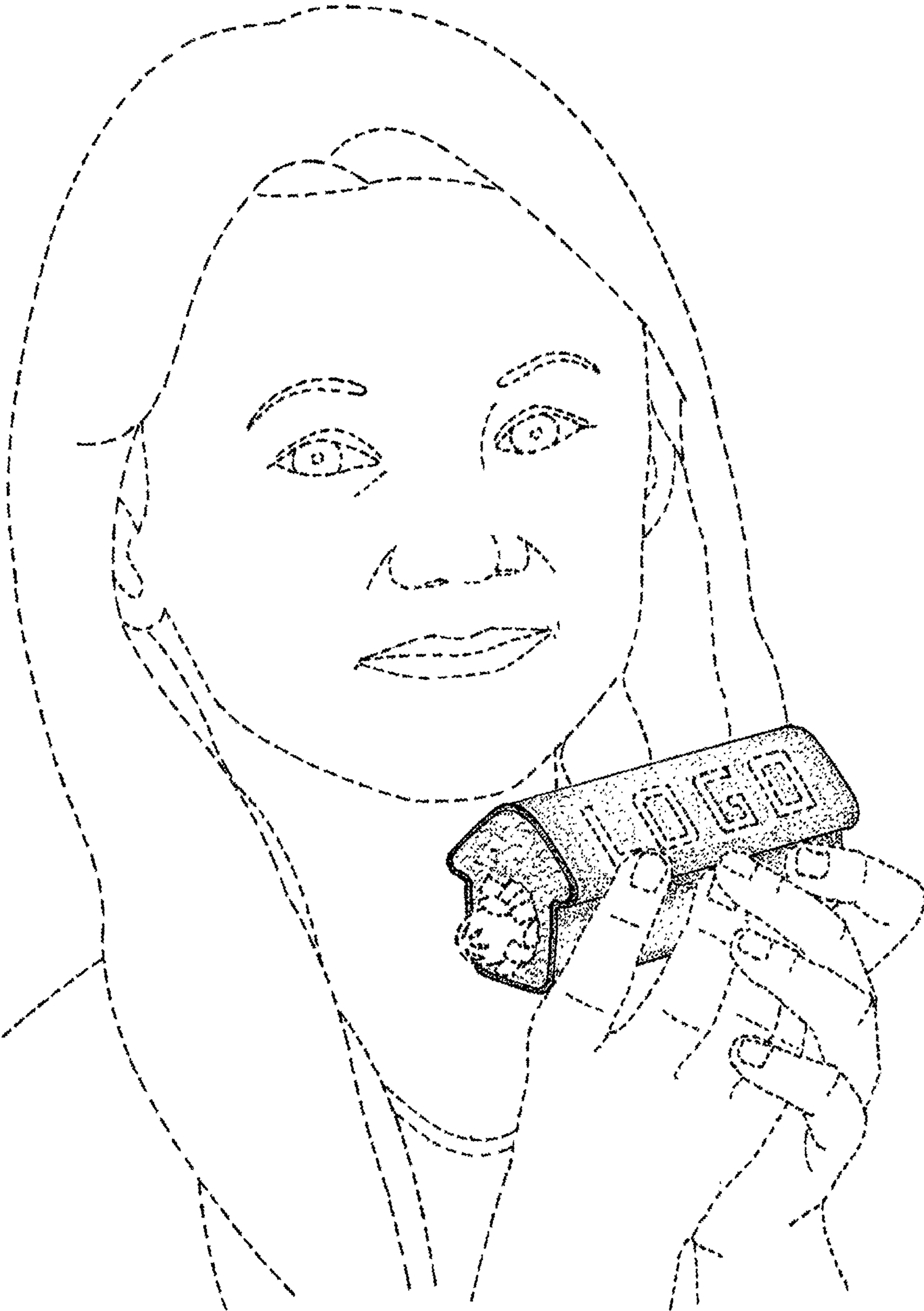


Fig. 1

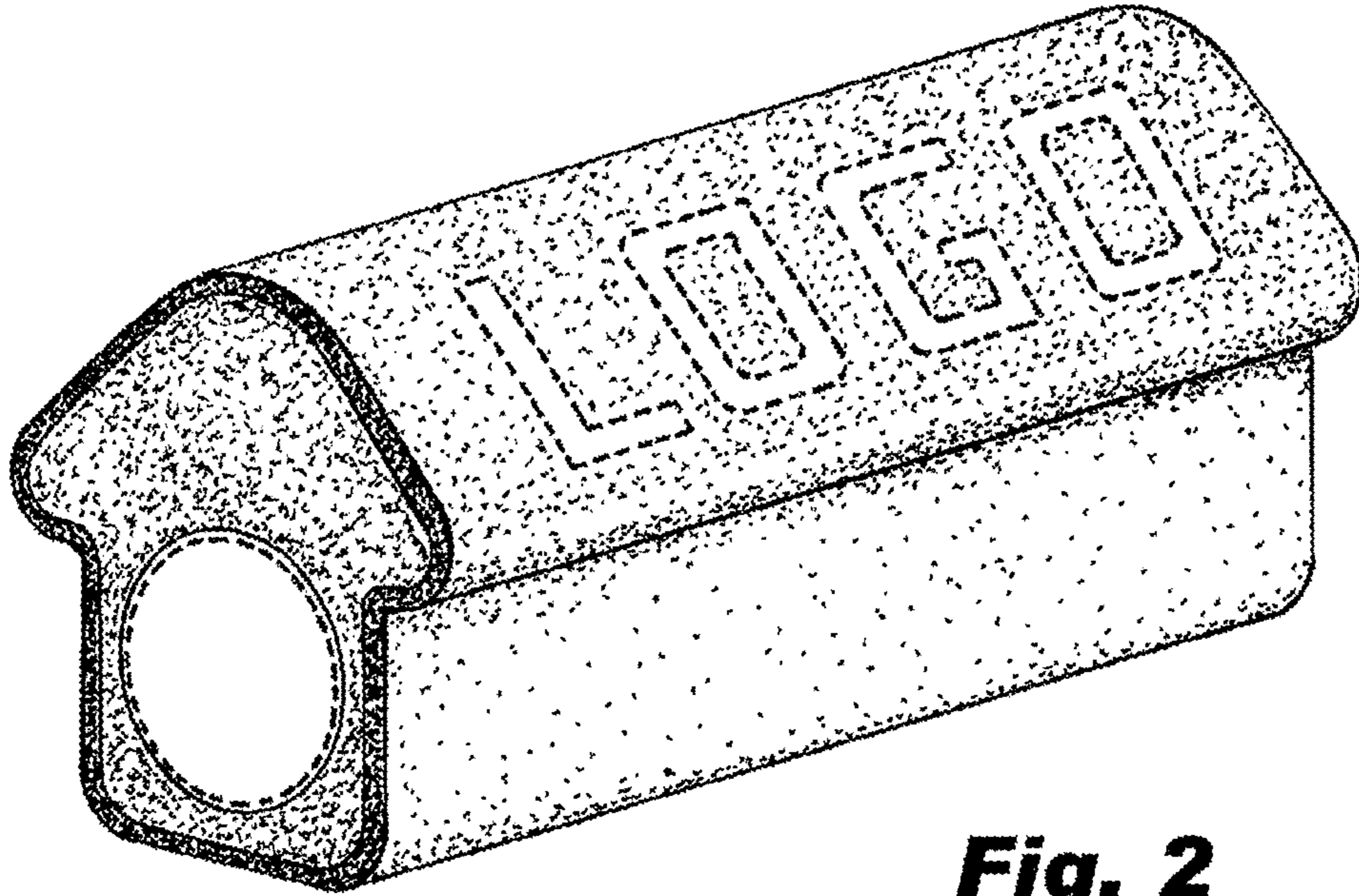


Fig. 2

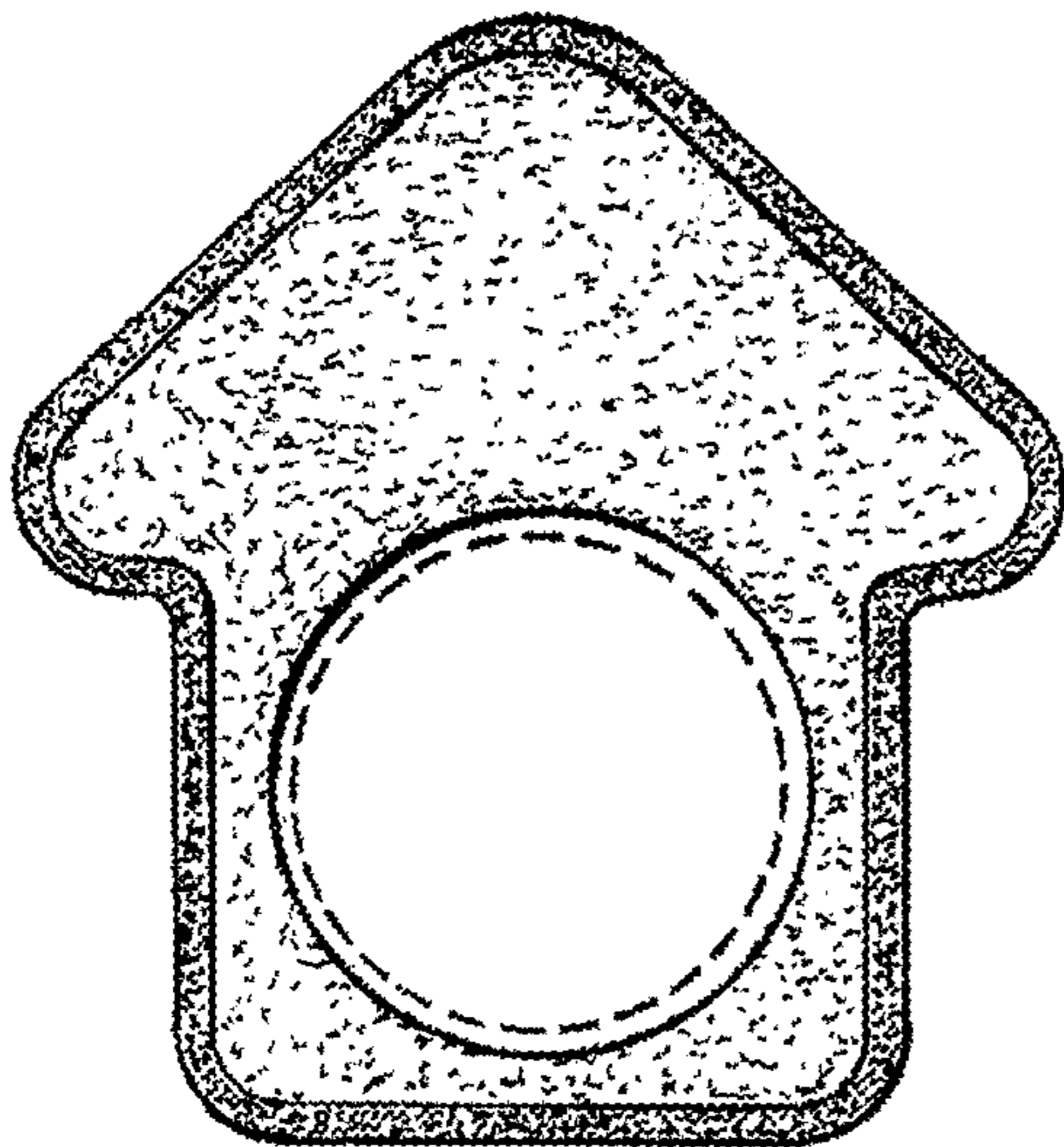


Fig. 3

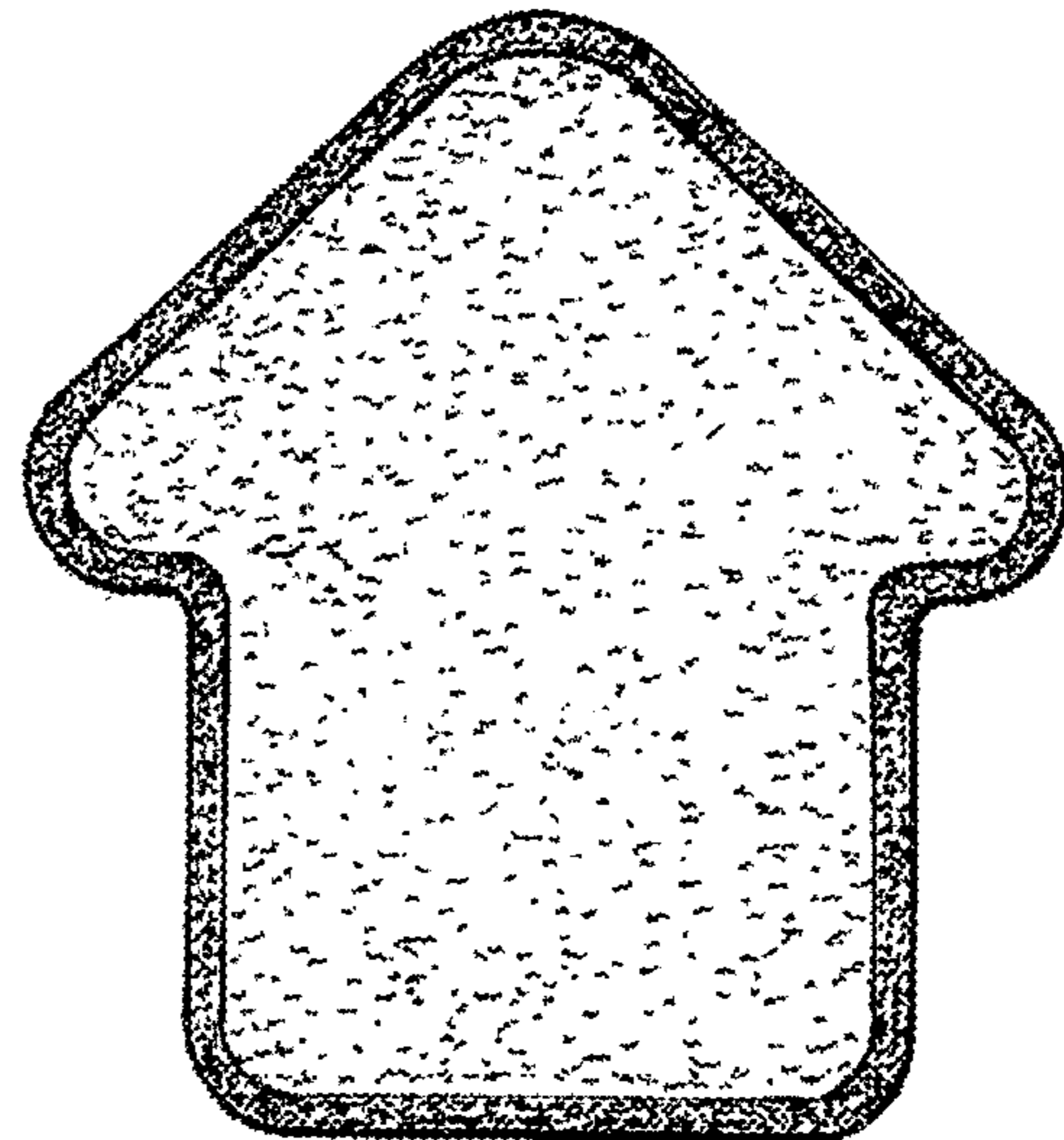


Fig. 4

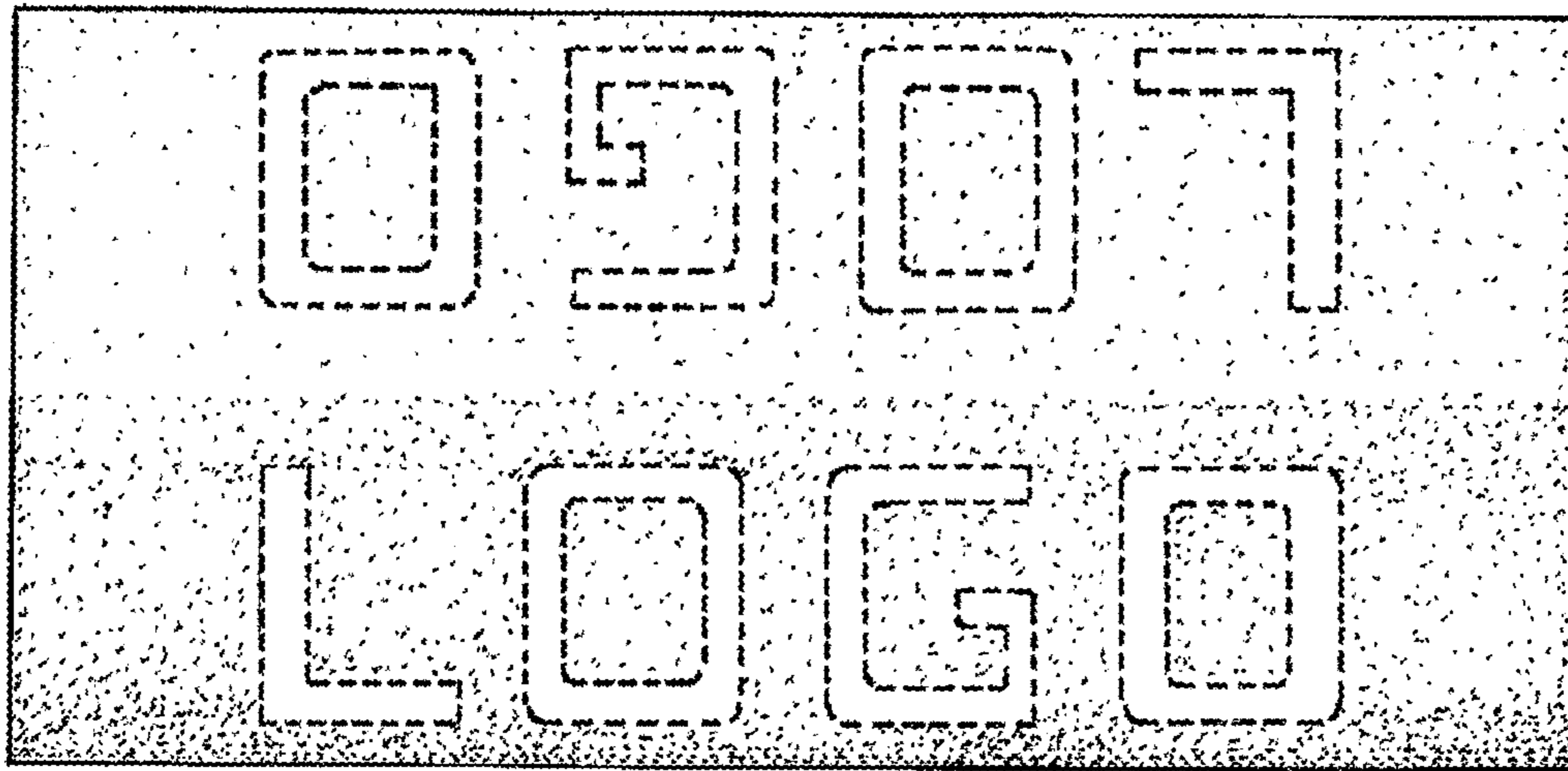


Fig. 5

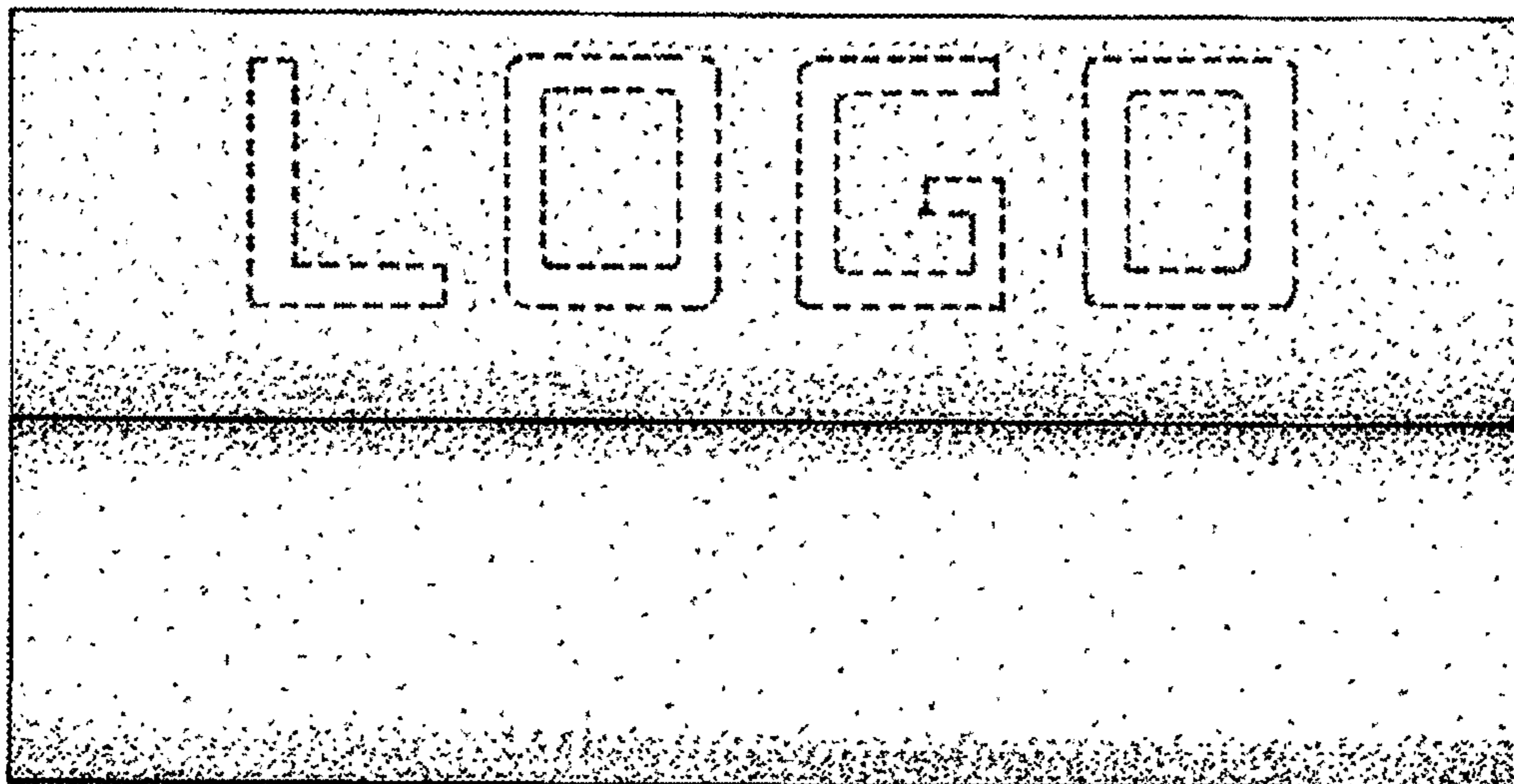


Fig. 6

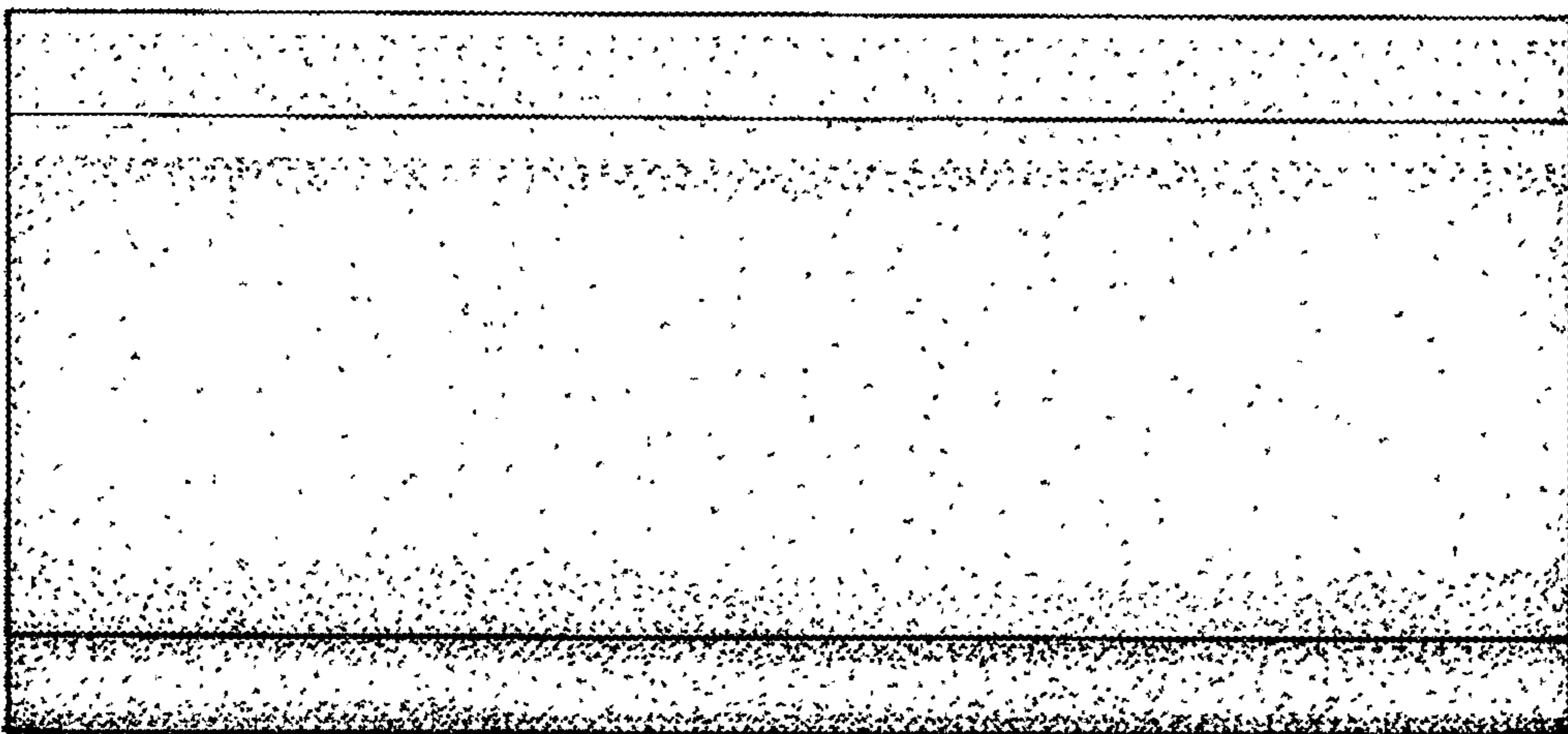


Fig. 7

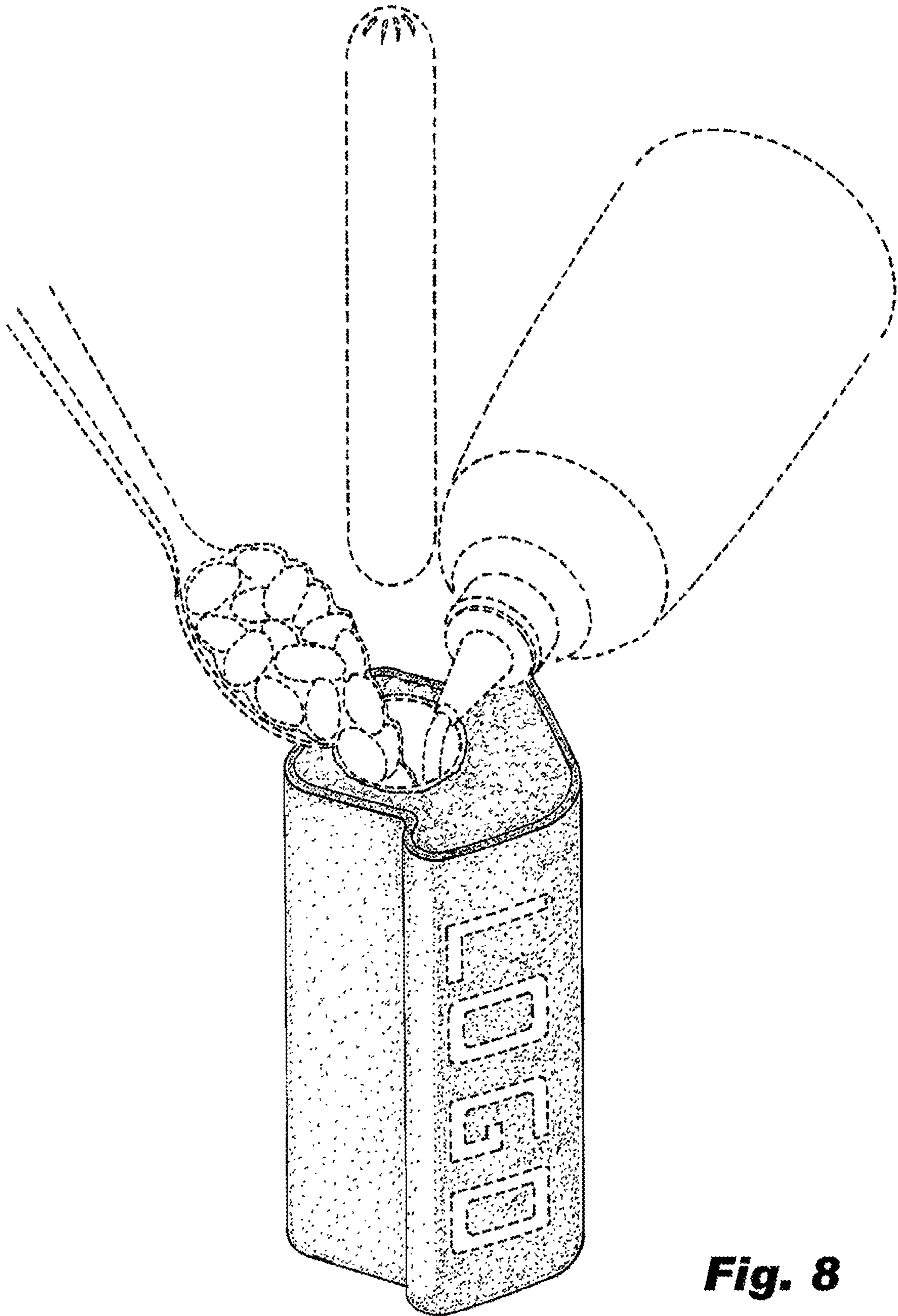


Fig. 8