



US00D915724S

(12) **United States Design Patent** (10) **Patent No.:** **US D915,724 S**  
**Allen et al.** (45) **Date of Patent:** **\*\* Apr. 6, 2021**

(54) **PALLET**  
(71) Applicant: **RDP (NZ) LIMITED**, Auckland (NZ)  
(72) Inventors: **Thomas David Allen**, Auckland (NZ);  
**Blair Michael McLay**, Auckland (NZ)  
(73) Assignee: **RDP (NZ) LIMITED**, Auckland (NZ)  
(\*\*) Term: **15 Years**

D647,685 S \* 10/2011 Atkins ..... D34/38  
D650,546 S \* 12/2011 MacDonald ..... D34/38  
D655,475 S \* 3/2012 Lin ..... D34/38  
D673,754 S \* 1/2013 MacDonald ..... D34/38  
D774,271 S \* 12/2016 Marti ..... D34/38  
D825,882 S \* 8/2018 Thompson ..... D34/38  
D867,710 S \* 11/2019 Mizuguchi ..... D34/23  
D905,373 S \* 12/2020 Spadavecchia ..... D34/38  
2005/0145144 A1 \* 7/2005 Gab ..... B65D 19/38  
108/55.3

(Continued)

(21) Appl. No.: **29/698,420**  
(22) Filed: **Jul. 17, 2019**  
(51) **LOC (13) Cl.** ..... **09-08**  
(52) **U.S. Cl.**  
USPC ..... **D34/38**  
(58) **Field of Classification Search**  
USPC ..... D34/28, 29, 30, 31, 32, 33, 34, 35, 36,  
D34/37, 38; D25/119, 120, 122, 123,  
D25/124, 125, 126; D8/349, 354,  
D8/373-377; D9/456  
CPC ..... B65D 2519/00; B65D 2519/00273; B65D  
2519/00288; B65D 2519/00363; B65D  
2519/00069; B65B 65/00; E06B 1/12;  
E04C 3/00; E04C 3/02; E04C 3/125;  
E04C 3/127; E04B 1/18; E04B 1/24  
See application file for complete search history.

OTHER PUBLICATIONS

Monoflo, announced 2020 [online], [site visited Sep. 24, 2020].  
Available from internet, URL: <https://miworldwide.com/products/pallet-systems> (Year: 2020).\*

(Continued)

*Primary Examiner* — George A Bugg  
*Assistant Examiner* — Tamara L Hahn  
(74) *Attorney, Agent, or Firm* — JCIP; Joseph G. Chu;  
Jeremy I. Maynard

(57) **CLAIM**

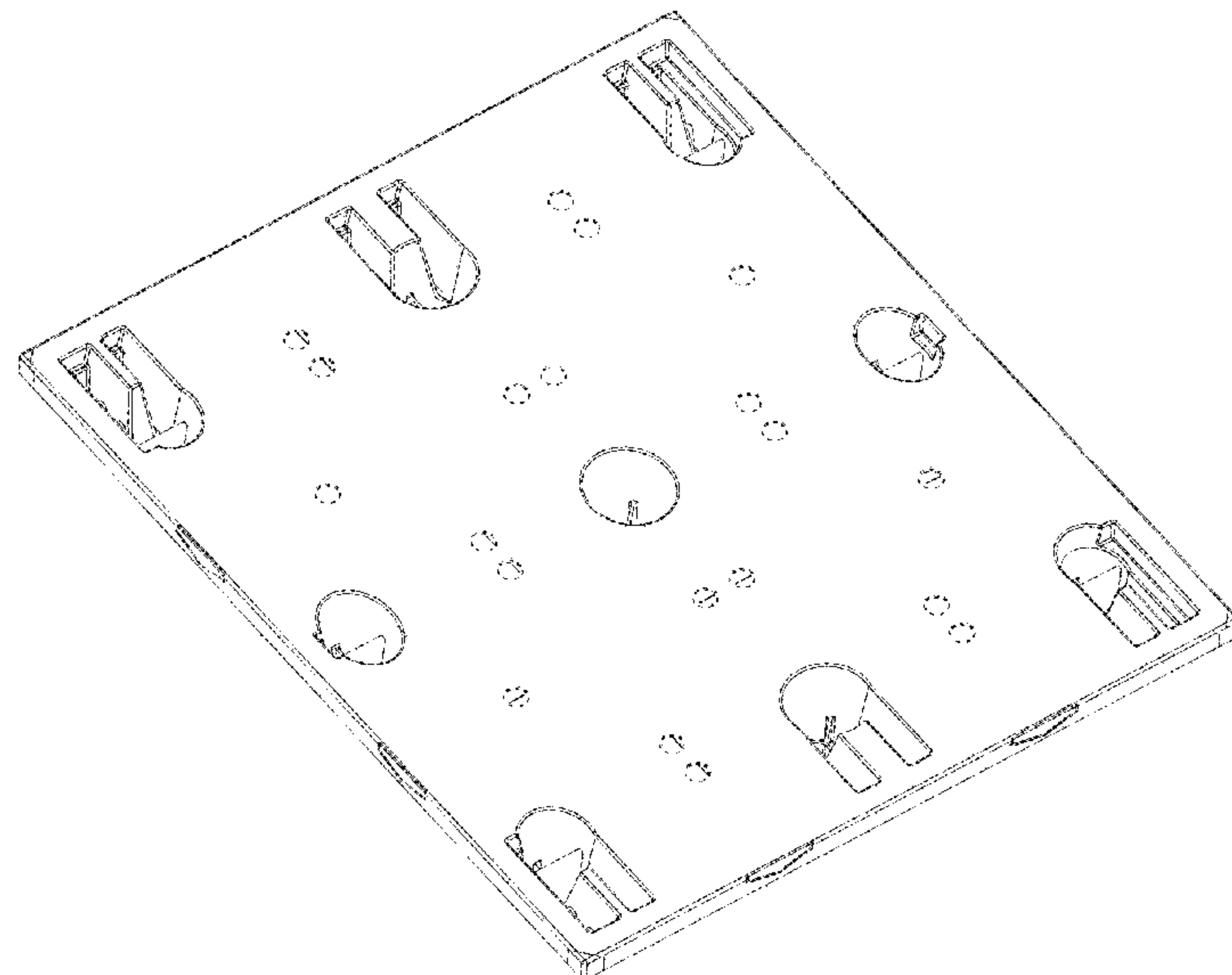
The ornamental design for a pallet, as shown and described.

**DESCRIPTION**

FIG. 1 is a top perspective view of a pallet;  
FIG. 2 is a bottom perspective view of the pallet;  
FIG. 3 is a front view of the pallet;  
FIG. 4 is a rear view of the pallet;  
FIG. 5 is a left side view of the pallet;  
FIG. 6 is a right side view of the pallet;  
FIG. 7 is a top view of the pallet; and,  
FIG. 8 is a bottom view of the pallet.  
The broken lines in the drawings depict portions of the Pallet that form no part of the claimed design.

(56) **References Cited**  
U.S. PATENT DOCUMENTS  
D388,931 S \* 1/1998 Constantino ..... D34/38  
D417,765 S \* 12/1999 Morello ..... D34/38  
D452,057 S \* 12/2001 French ..... D34/38  
D464,186 S \* 10/2002 Medoff ..... D34/38  
D468,634 S \* 1/2003 Hammett ..... D34/38  
D472,360 S \* 3/2003 Medoff ..... D34/38  
D485,659 S \* 1/2004 Medoff ..... D34/38  
D568,024 S \* 4/2008 Al Sanea ..... D34/38  
7,690,315 B2 \* 4/2010 Apps ..... B65D 19/004  
108/53.3  
D633,273 S \* 2/2011 Kellerer ..... D34/38

**1 Claim, 8 Drawing Sheets**



(56)

**References Cited**

U.S. PATENT DOCUMENTS

2007/0056483 A1\* 3/2007 Garcia ..... B65D 19/0051  
108/57.25  
2013/0121800 A1\* 5/2013 Hacko ..... B65D 19/0026  
414/800  
2017/0021963 A1\* 1/2017 Apps ..... B65D 19/0069  
2020/0122884 A1\* 4/2020 Jurcak ..... B65D 19/0012

OTHER PUBLICATIONS

Uline, announced 2020 [online], [site visited Sep. 24, 2020]. Available from internet, URL: <https://www.uline.com/Product/Detail/H-6096/Pallets/Heavy-Duty-Nestable-Pallet-48-x-40?pricode=WA9972> (Year: 2020).\*

\* cited by examiner

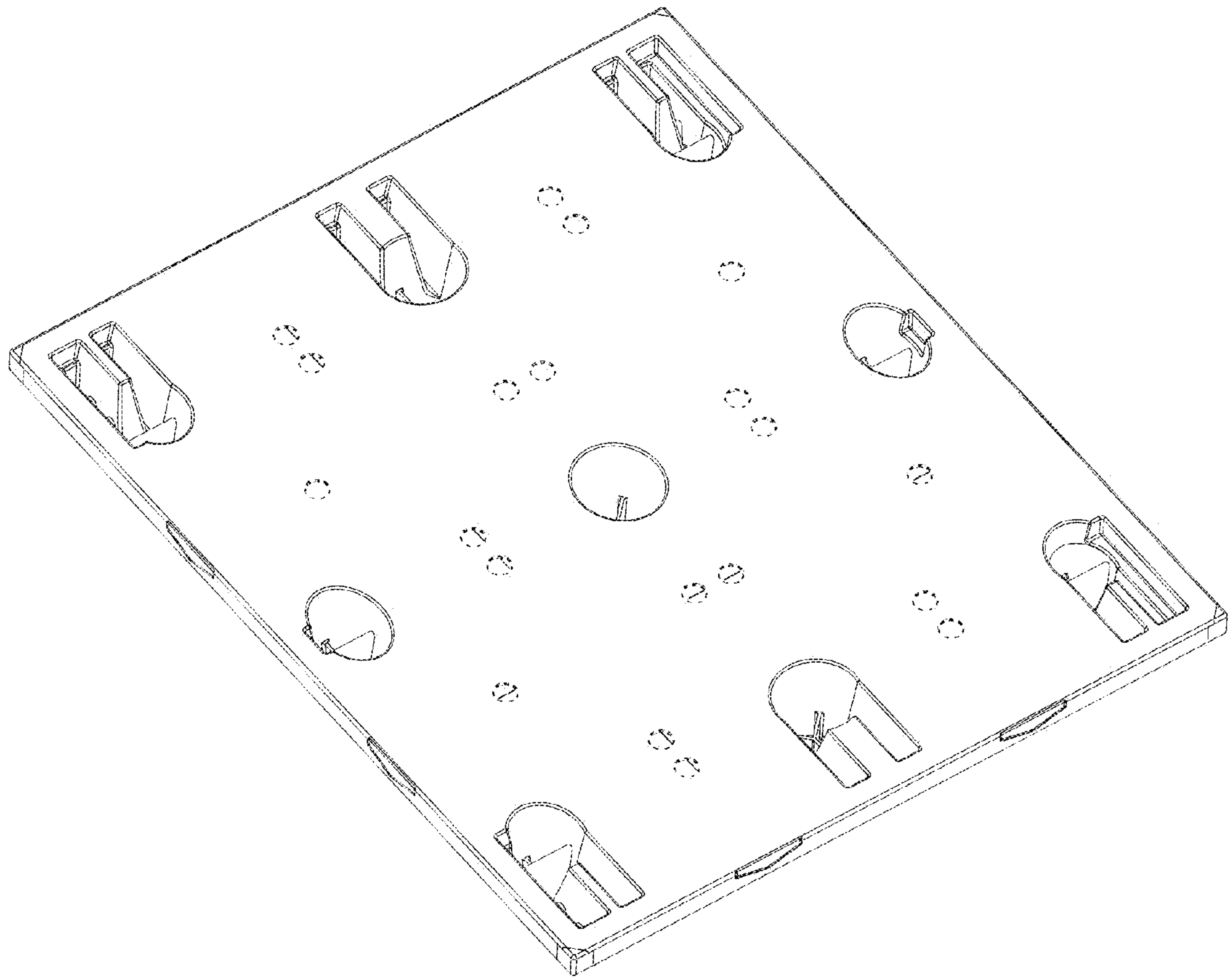


FIG. 1

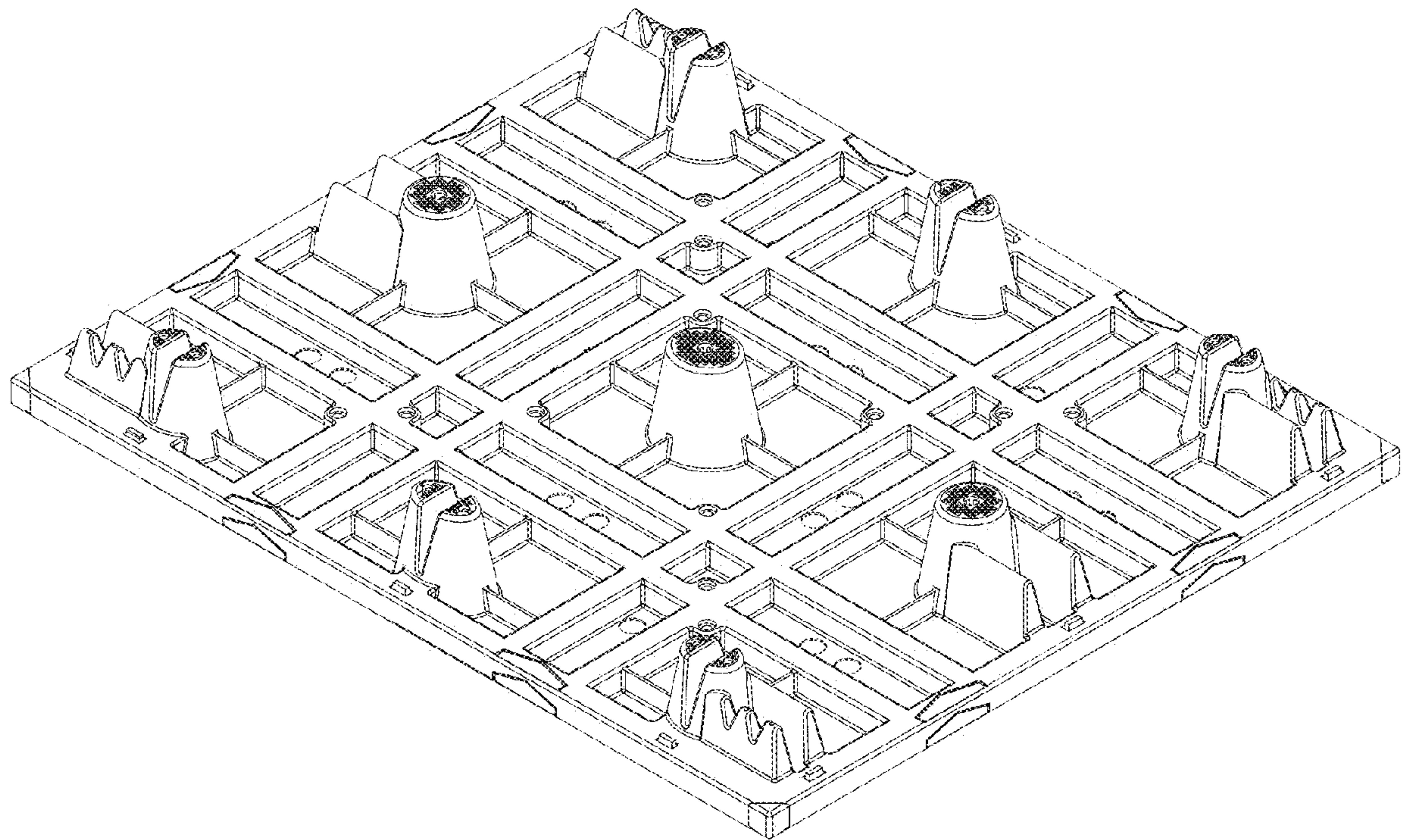


FIG. 2



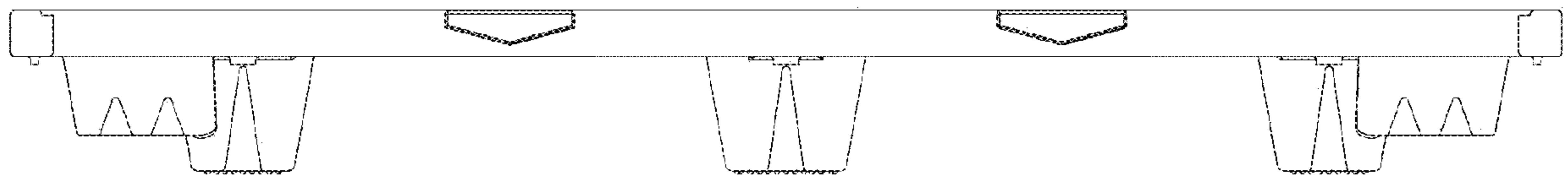


FIG. 3

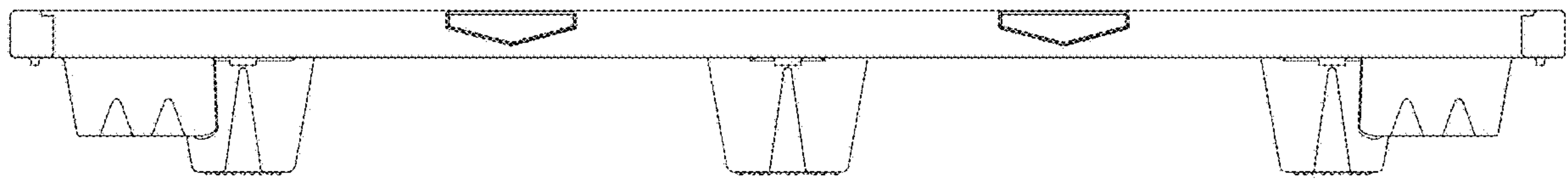


FIG. 4

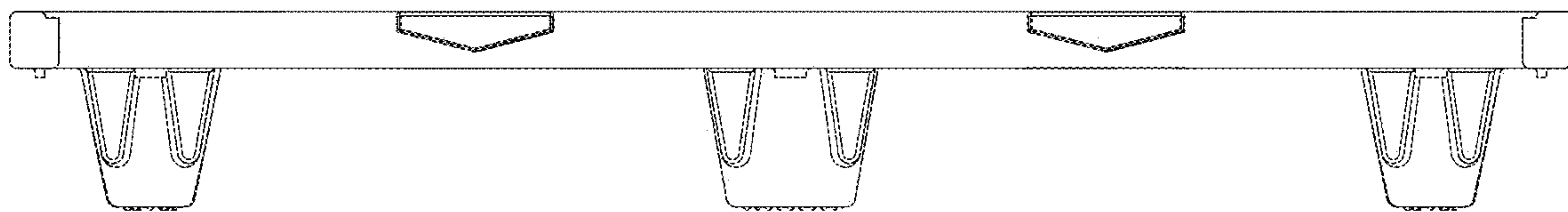


FIG. 5

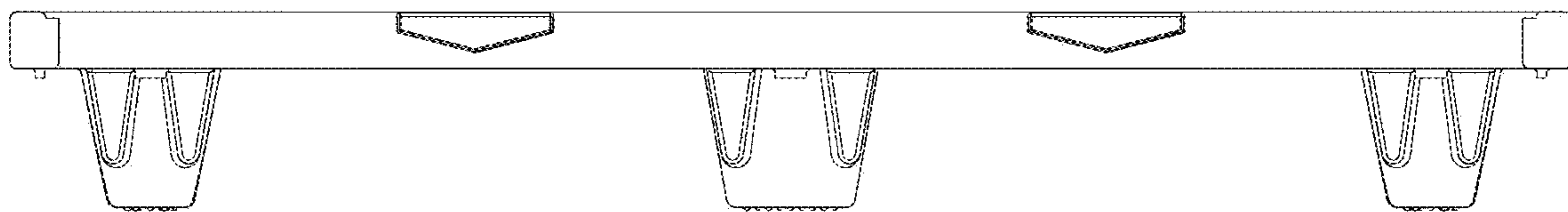


FIG. 6



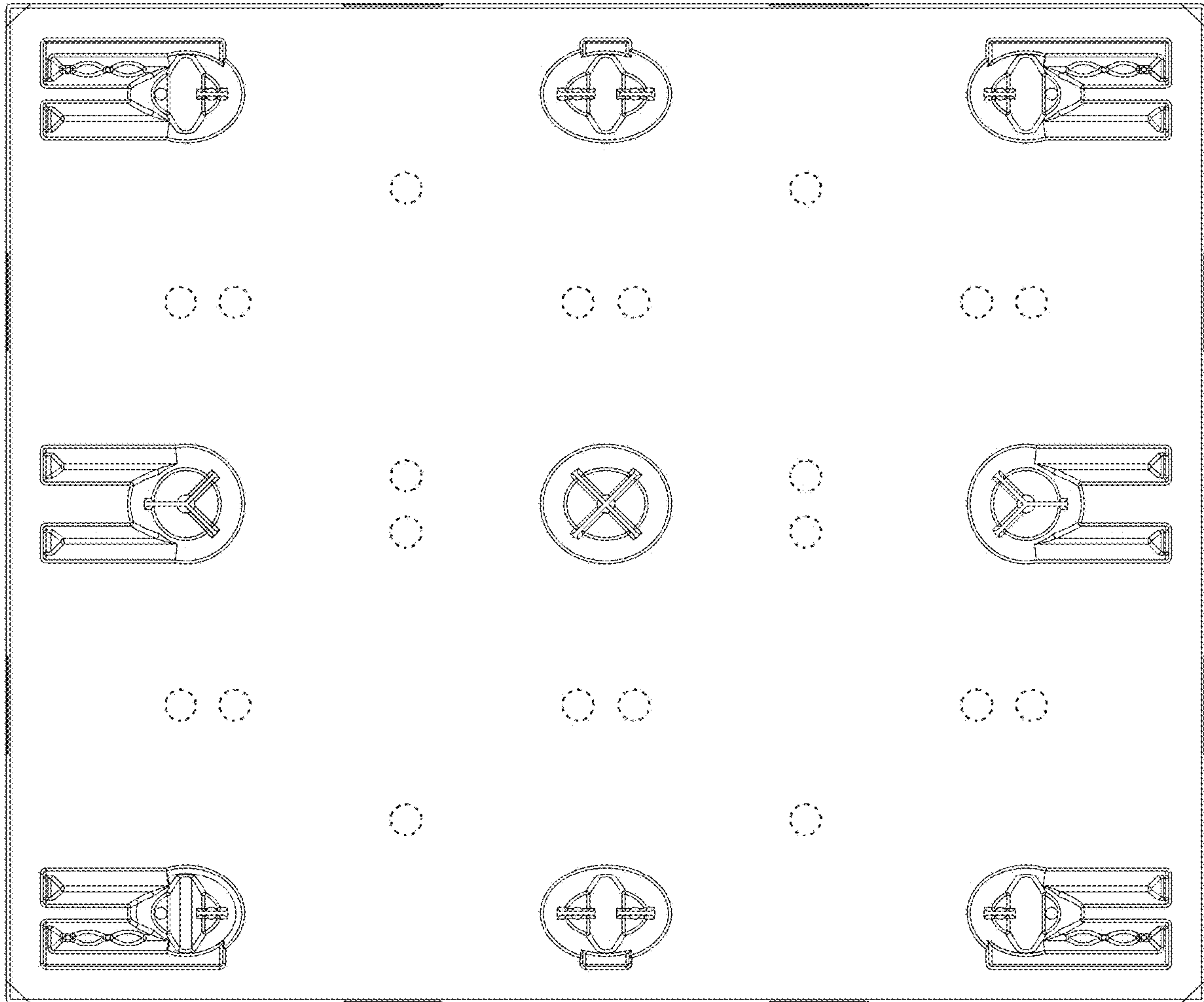


FIG. 7

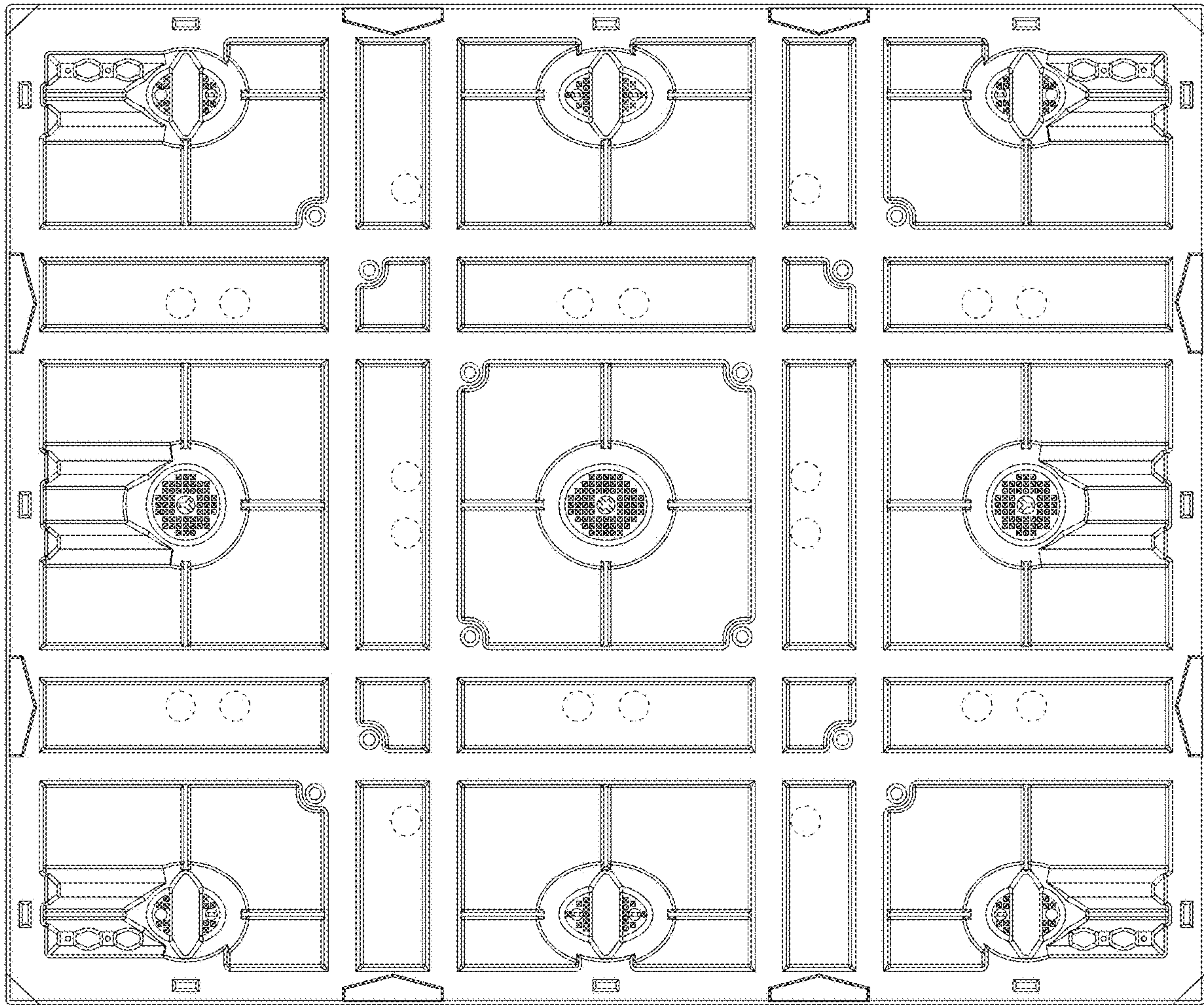


FIG. 8