



US00D915723S

(12) **United States Design Patent** (10) **Patent No.:** **US D915,723 S**
Wood (45) **Date of Patent:** **** Apr. 6, 2021**

(54) **JACK RACK INSERT**

(71) Applicant: **A Wood Products LLC**, Poway, CA (US)

(72) Inventor: **Adam Wood**, Poway, CA (US)

(73) Assignee: **A Wood Products LLC**, Poway, CA (US)

(**) Term: **15 Years**

(21) Appl. No.: **29/687,681**

(22) Filed: **Apr. 15, 2019**

(51) **LOC (13) Cl.** **12-05**

(52) **U.S. Cl.**
USPC **D34/35**

(58) **Field of Classification Search**
USPC D34/12-39; D8/382, 356, 249, 252, 254,
D8/380, 105, 33; D25/119; D12/106
CPC B66F 3/18; B66F 1/00; F16L 1/06; F16L
1/0246; E02D 5/08
See application file for complete search history.

(56) **References Cited**

U.S. PATENT DOCUMENTS

| | | | | | |
|------------|---|---------|-----------|-------|-----------|
| D321,562 S | * | 11/1991 | Ljungvall | | D24/183 |
| D721,465 S | * | 1/2015 | Heinz | | B62B 3/02 |
| | | | | | D34/35 |
| D760,992 S | * | 7/2016 | Martin | | D1/199 |
| D887,824 S | * | 6/2020 | Heindl | | D8/382 |
| D904,177 S | * | 12/2020 | Peck | | D8/382 |

OTHER PUBLICATIONS

Step 22 Silent Jack, announced 2020 [online], [site visited Dec. 16, 2020]. Available from internet, URL: <https://step22gear.com/collections/view-all-products/products/silent-jack-for-hi-lift-jacks> (Year: 2020).*

CZS Jack Pad, announced 2019 [online], [site visited Dec. 16, 2020]. Available from internet, URL: https://www.amazon.com/CZS-Adapter-Universal-Slotted-Protector/dp/B07S7F7KQQ/ref=sr_1_1_sspa (Year: 2019).*

* cited by examiner

Primary Examiner — George A Bugg

Assistant Examiner — Tamara L Hahn

(74) *Attorney, Agent, or Firm* — Lewis Kohn & Walker LLP; Kent M. Walker; Kari Moyer-Henry

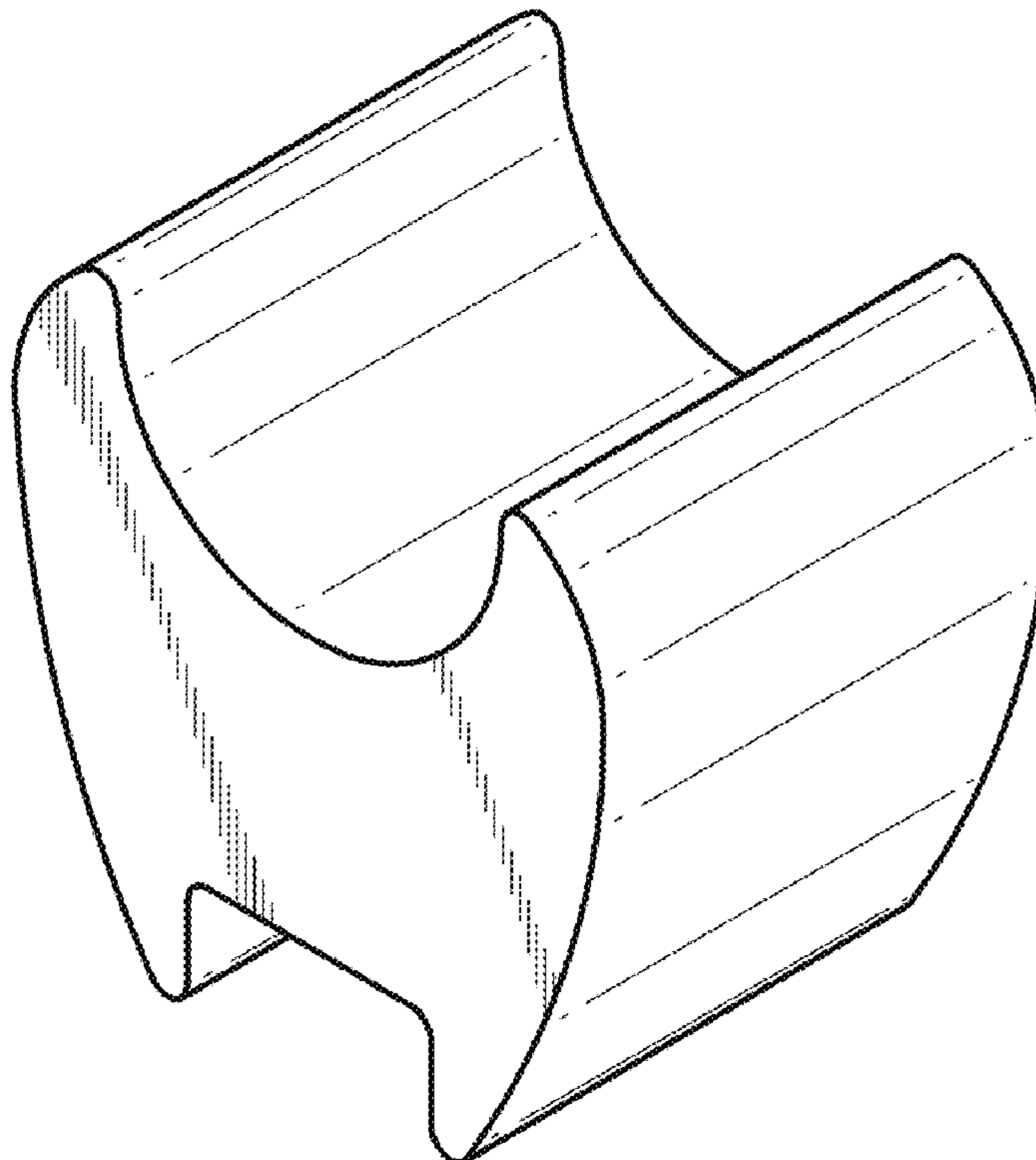
(57) **CLAIM**

The ornamental design for a jack rack insert, as shown and described.

DESCRIPTION

FIG. 1 is a top perspective view of the jack rack insert embodied in the present invention; FIG. 2 is a front view of the jack rack insert from FIG. 1; FIG. 3 is a right side view of the jack rack insert from FIG. 1; FIG. 4 is a back view of the jack rack insert from FIG. 1; FIG. 5 is a left side view of the jack rack insert from FIG. 1; FIG. 6 is a bottom view of the jack rack insert of FIG. 1; and, FIG. 7 is a top view of the jack rack insert of FIG. 1.

1 Claim, 2 Drawing Sheets



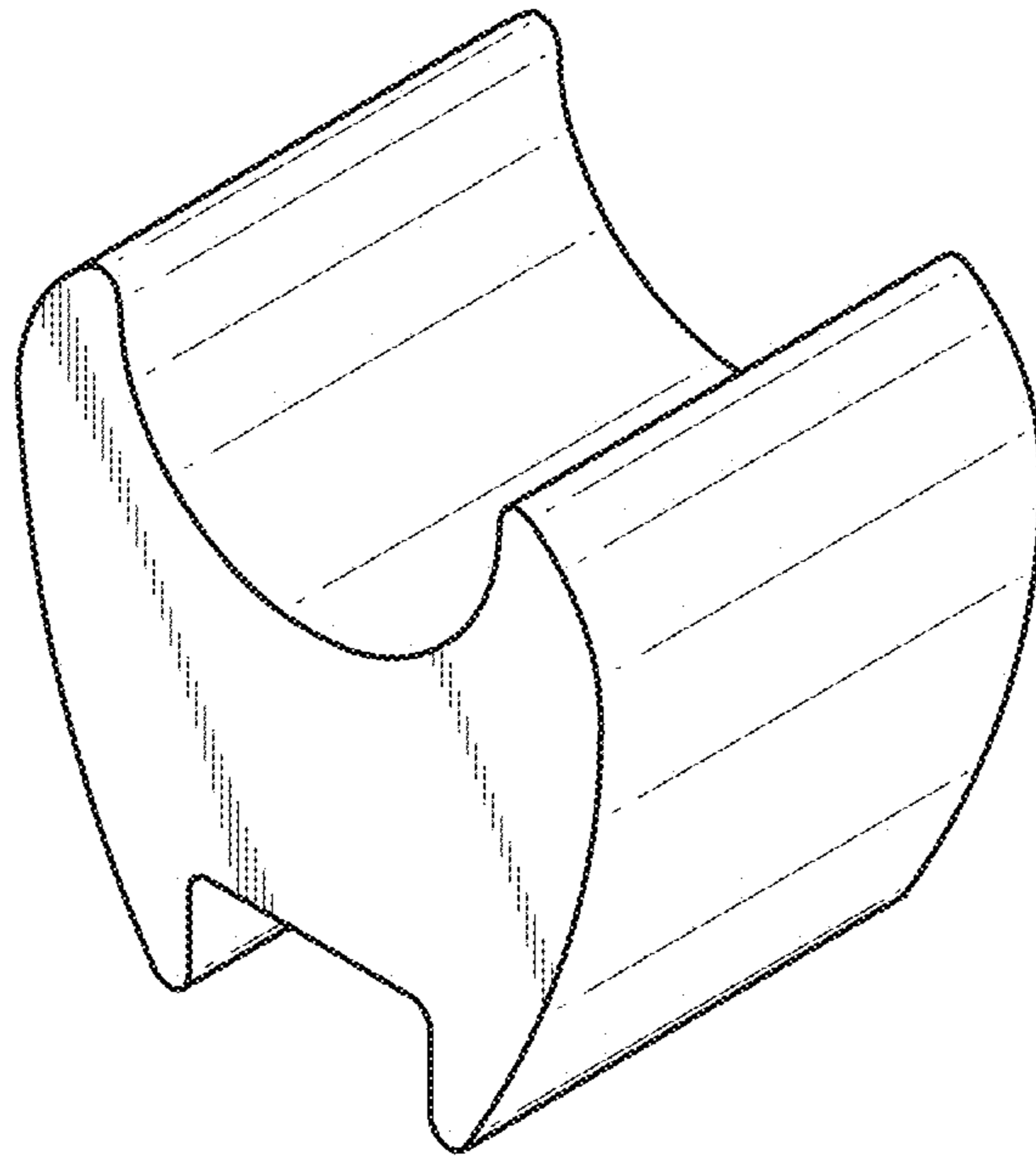


FIG. 1

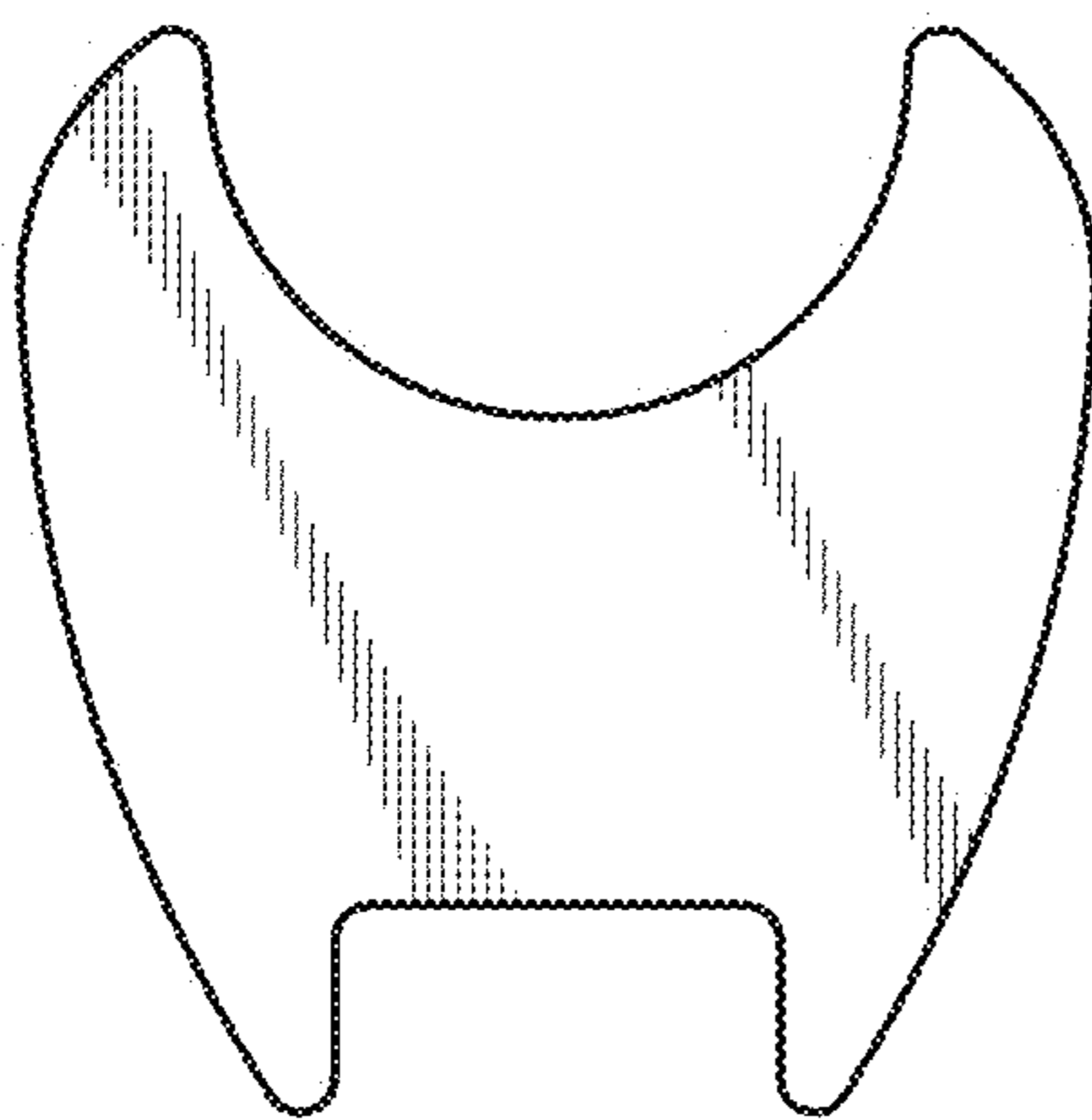


FIG. 2

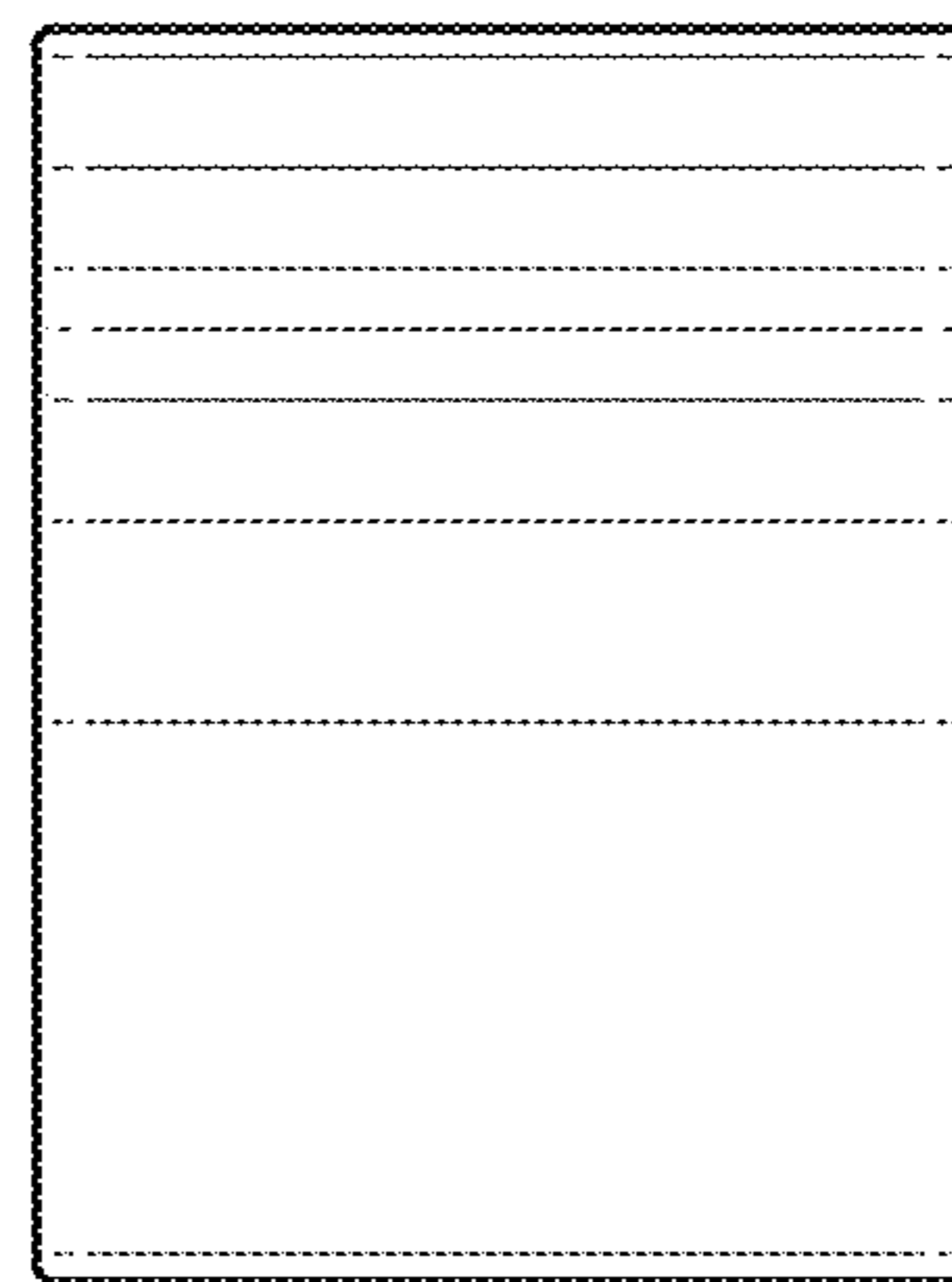


FIG. 3

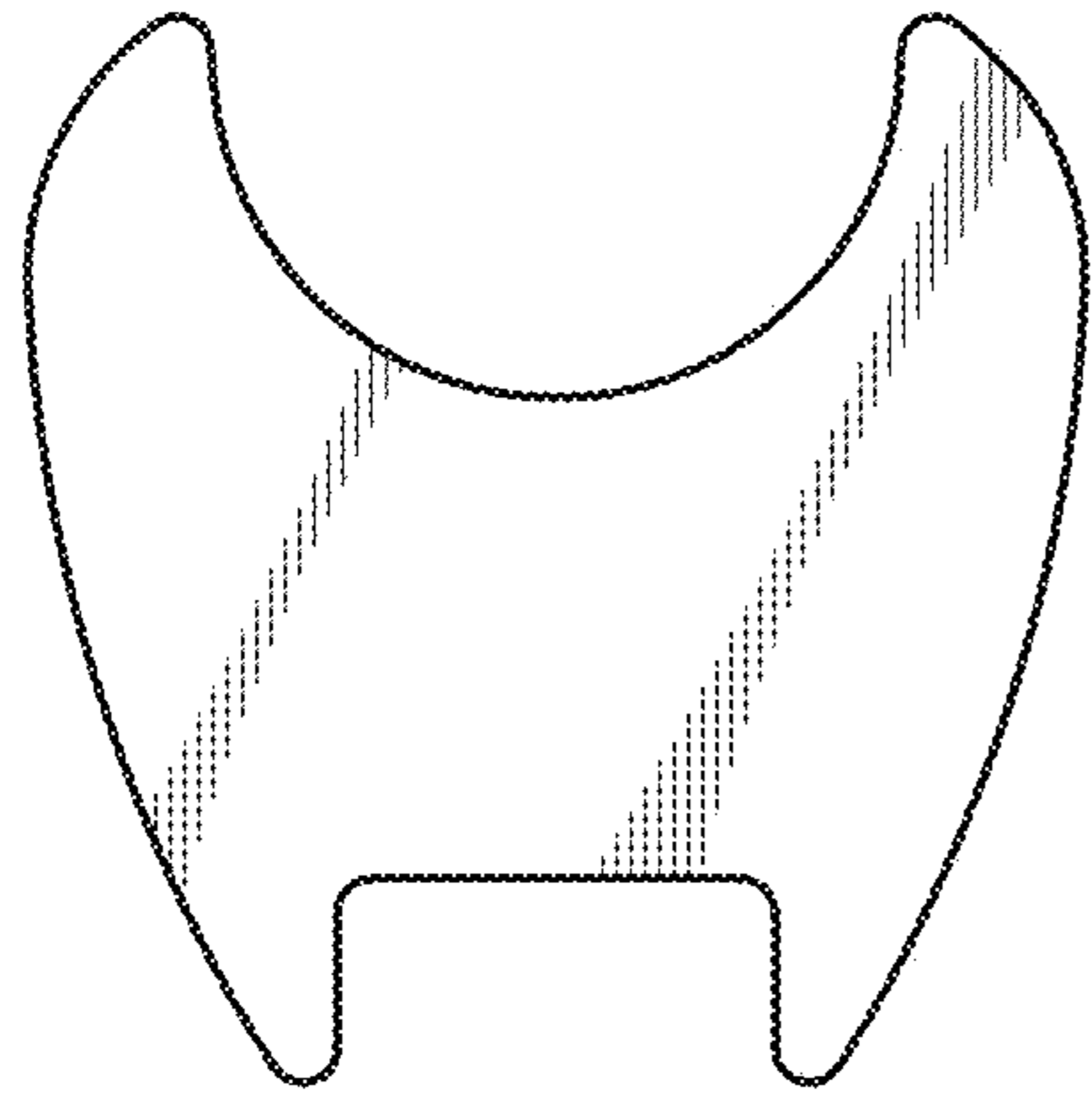


FIG. 4

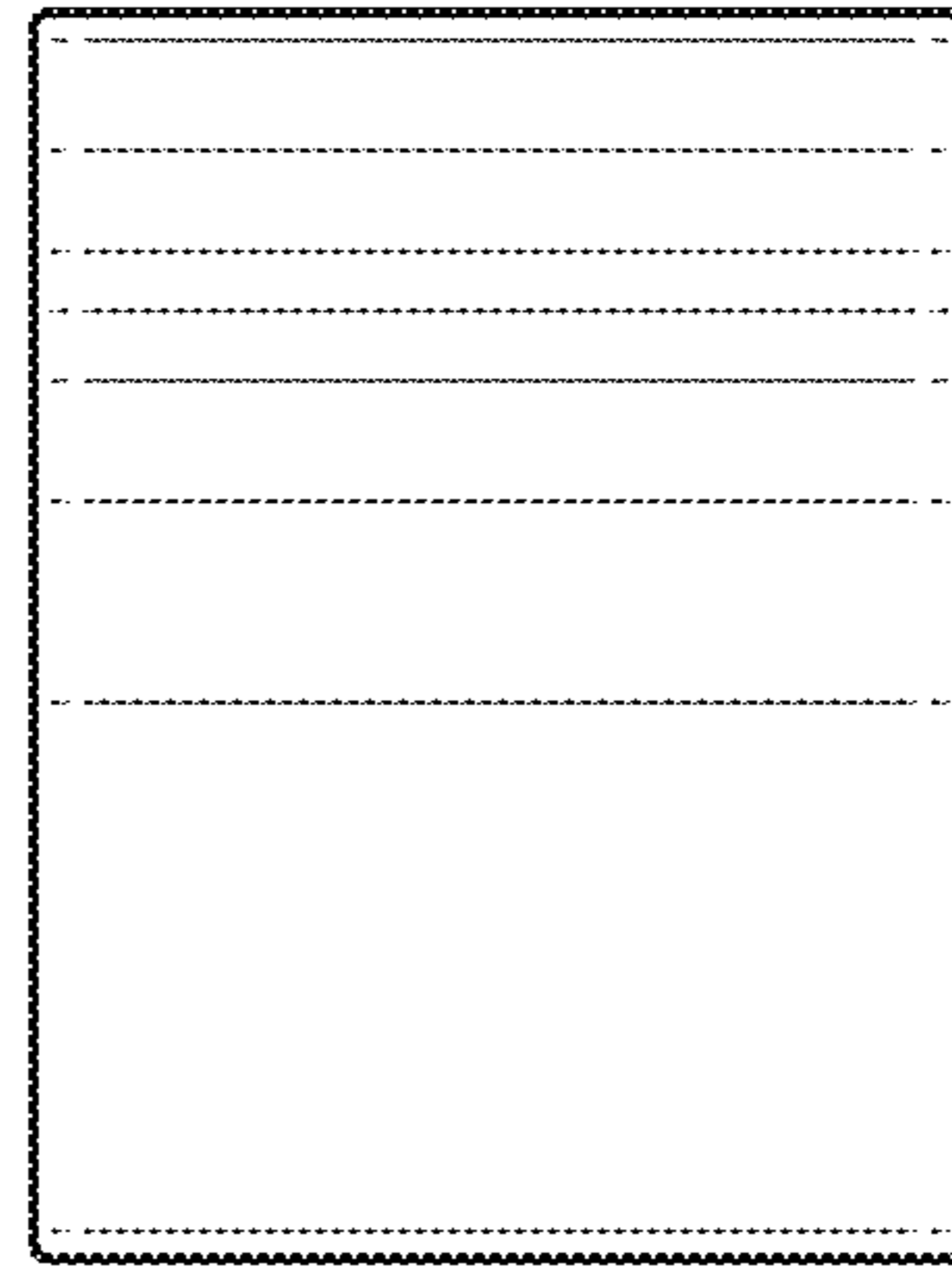


FIG. 5

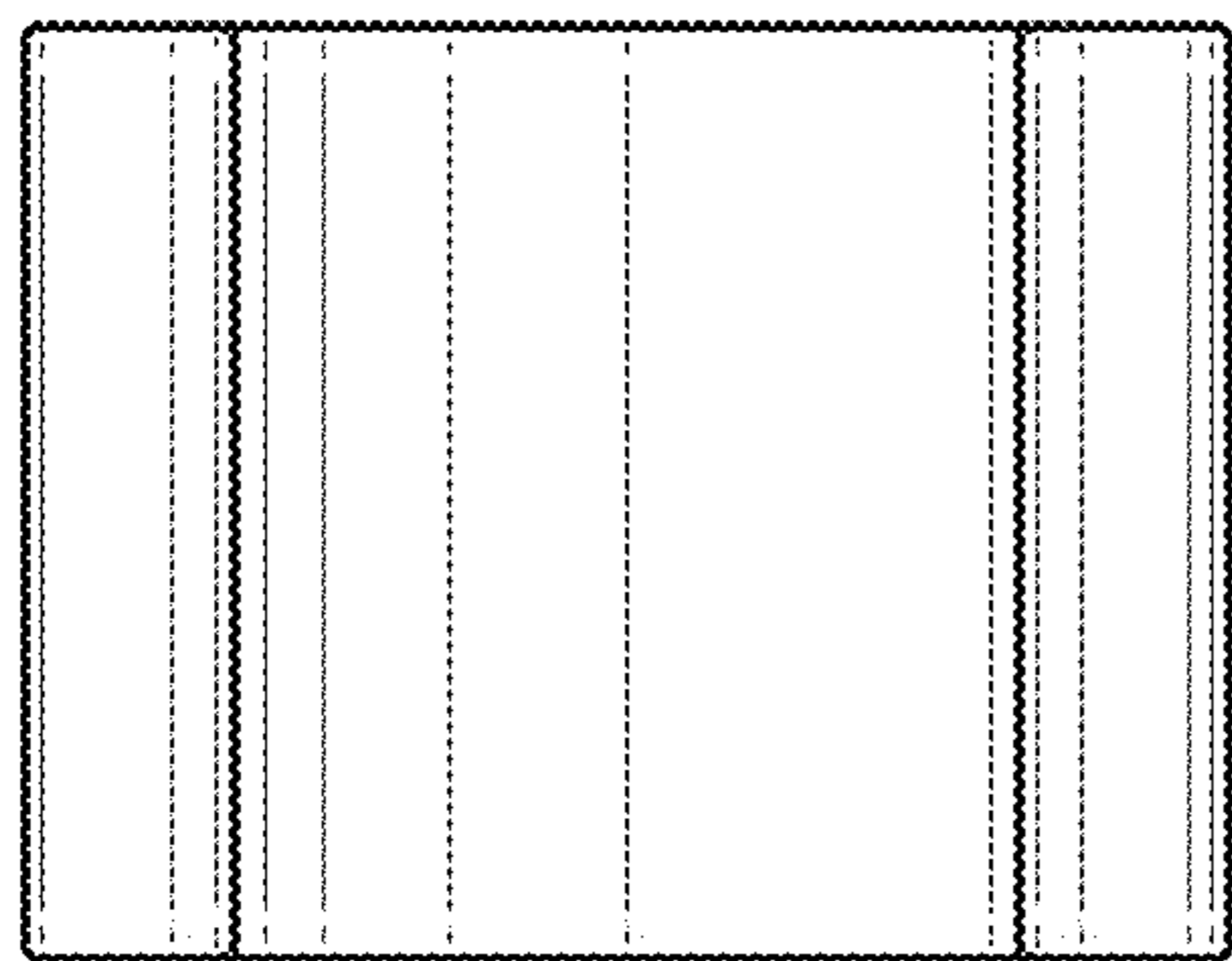


FIG. 6

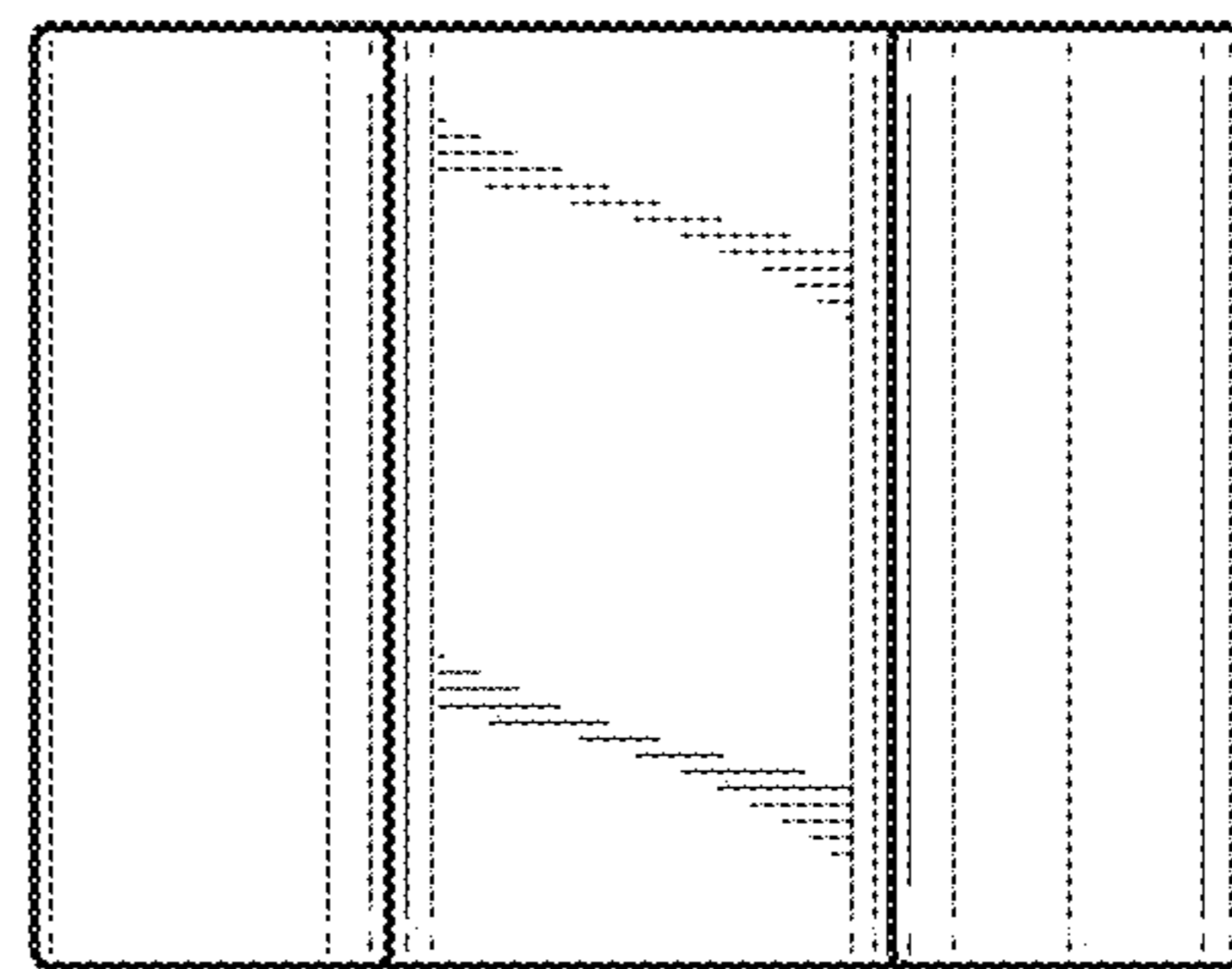


FIG. 7