



US00D915722S

(12) **United States Design Patent** (10) **Patent No.:** **US D915,722 S**
Lundin (45) **Date of Patent:** **** Apr. 6, 2021**

(54) **CONTROL DEVICE OF VACUUM LIFT**

(71) Applicant: **Vaculex AB**, Mölndal (SE)

(72) Inventor: **Anders Lundin**, Åsa (SE)

(73) Assignee: **VACULEX AB**, Mölndal (SE)

(**) Term: **15 Years**

(21) Appl. No.: **29/648,921**

(22) Filed: **May 24, 2018**

(51) **LOC (13) Cl.** **12-05**

(52) **U.S. Cl.**
USPC **D34/35**

(58) **Field of Classification Search**
USPC D34/28, 35; D13/168, 158, 162
CPC ... B66C 1/0281; B66C 1/0231; B66C 1/0293;
B66C 1/0212; H01H 9/0214; H01H
9/0235

See application file for complete search history.

(56) **References Cited**

U.S. PATENT DOCUMENTS

D362,330 S *	9/1995	Avitan	D34/35
6,433,778 B1 *	8/2002	Baba	G05G 9/047
				338/128
D515,770 S *	2/2006	Ryan	D12/179
D536,153 S *	1/2007	Niebuhr	D14/415
D543,334 S *	5/2007	Helmetsie	D34/35
D566,132 S *	4/2008	Mack	D15/11
D593,274 S *	5/2009	Knie	D34/35
D595,744 S *	7/2009	Umeda	D15/28

D635,155 S *	3/2011	Blind	D15/28
D663,913 S *	7/2012	Alder	D34/35
D678,648 S *	3/2013	Gill	D34/35
D679,064 S *	3/2013	Fredriksson	D34/35
D704,189 S *	5/2014	Rey	D14/412
D744,544 S *	12/2015	Wuisan	D15/28
D759,731 S *	6/2016	Roemer	D15/28
D800,183 S *	10/2017	Wuisan	D15/28
D822,939 S *	7/2018	Rabu	D34/35
D856,227 S *	8/2019	Mariotti	D12/175
D864,513 S *	10/2019	Krohn	D34/35
D867,238 S *	11/2019	Mariotti	D12/175
D867,309 S *	11/2019	Detering	D13/168

* cited by examiner

Primary Examiner — Michelle E. Wilson

(74) *Attorney, Agent, or Firm* — Nixon & Vanderhye

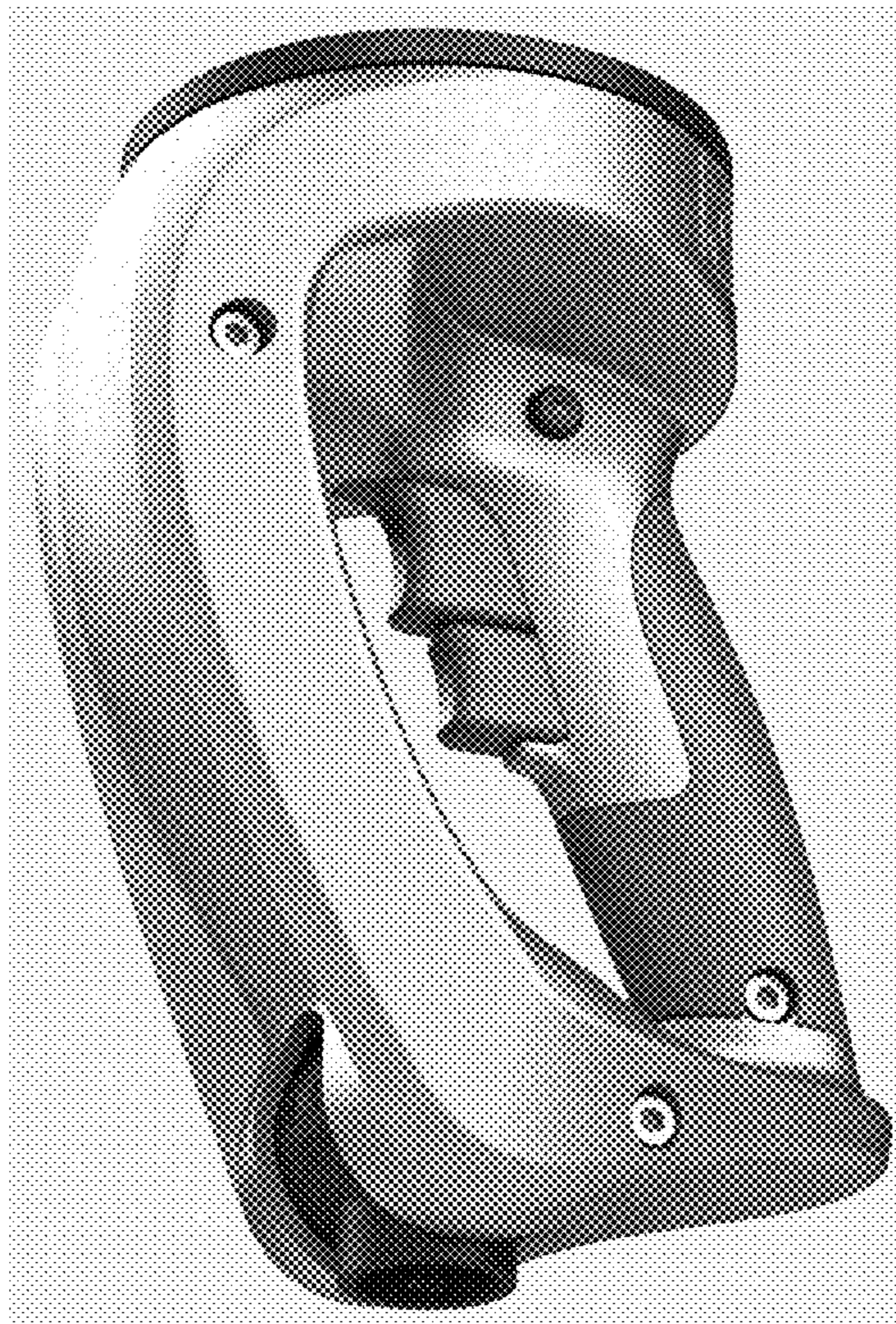
(57) **CLAIM**

The ornamental design for a control device of vacuum lift, as shown and described.

DESCRIPTION

FIG. 1 is a front, left side, and bottom perspective view of a control device of vacuum lift showing the new design; FIG. 2 is a front elevation view thereof; FIG. 3 is a rear elevation view thereof; FIG. 4 is a top plan view thereof; FIG. 5 is a bottom plan view thereof; FIG. 6 is a right side elevation view thereof; and, FIG. 7 is a left side elevation view thereof.

1 Claim, 7 Drawing Sheets



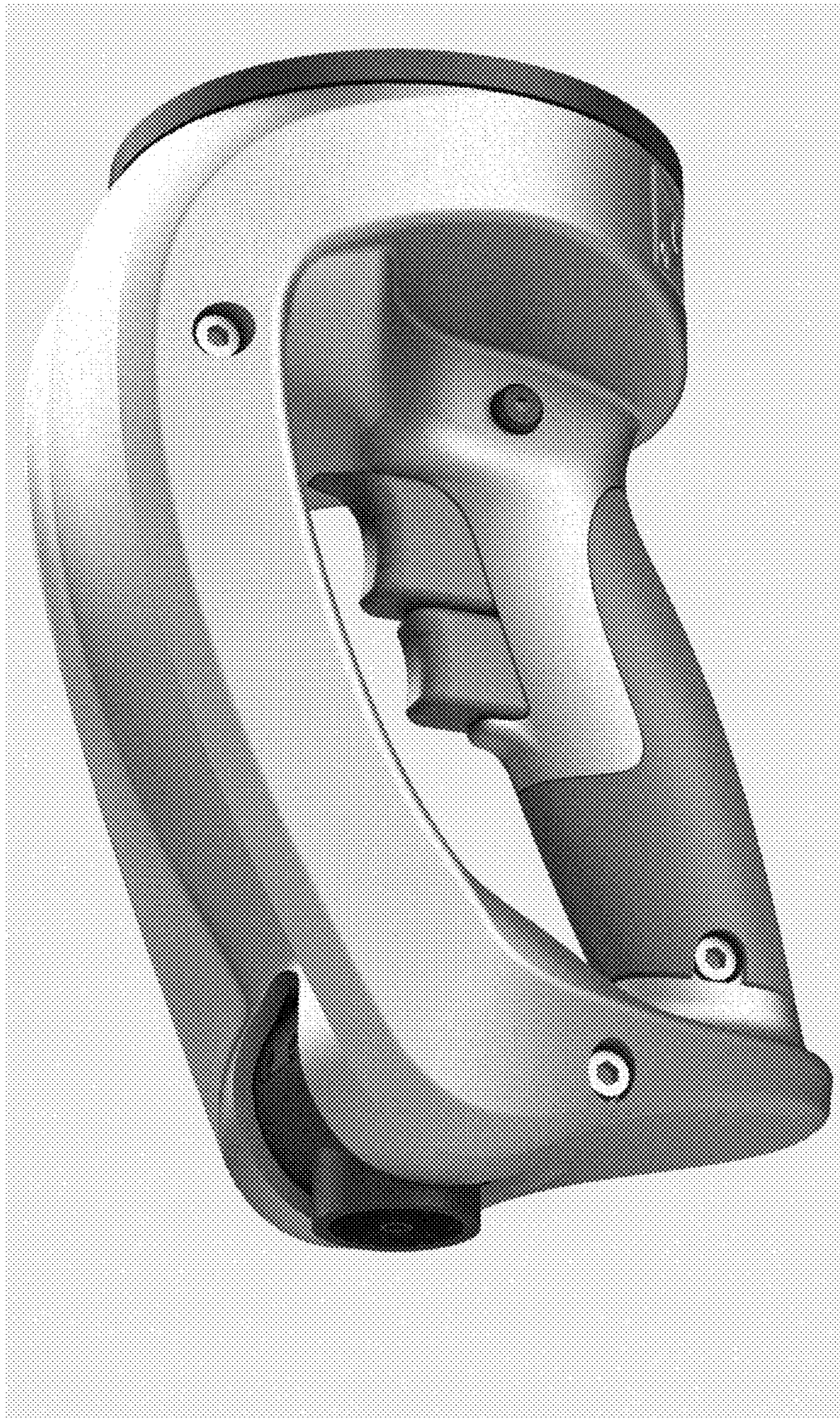


FIG 1

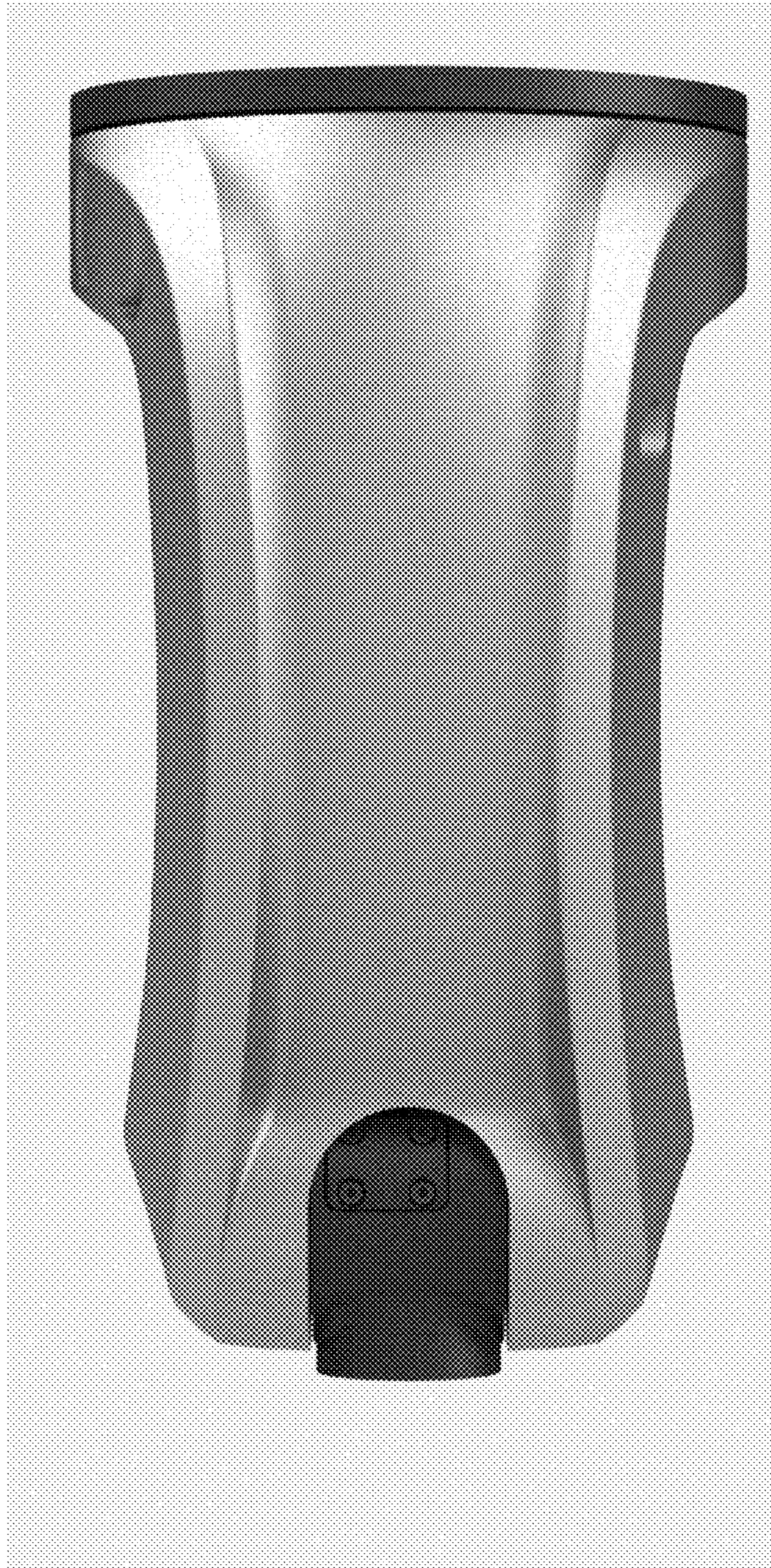


FIG 2

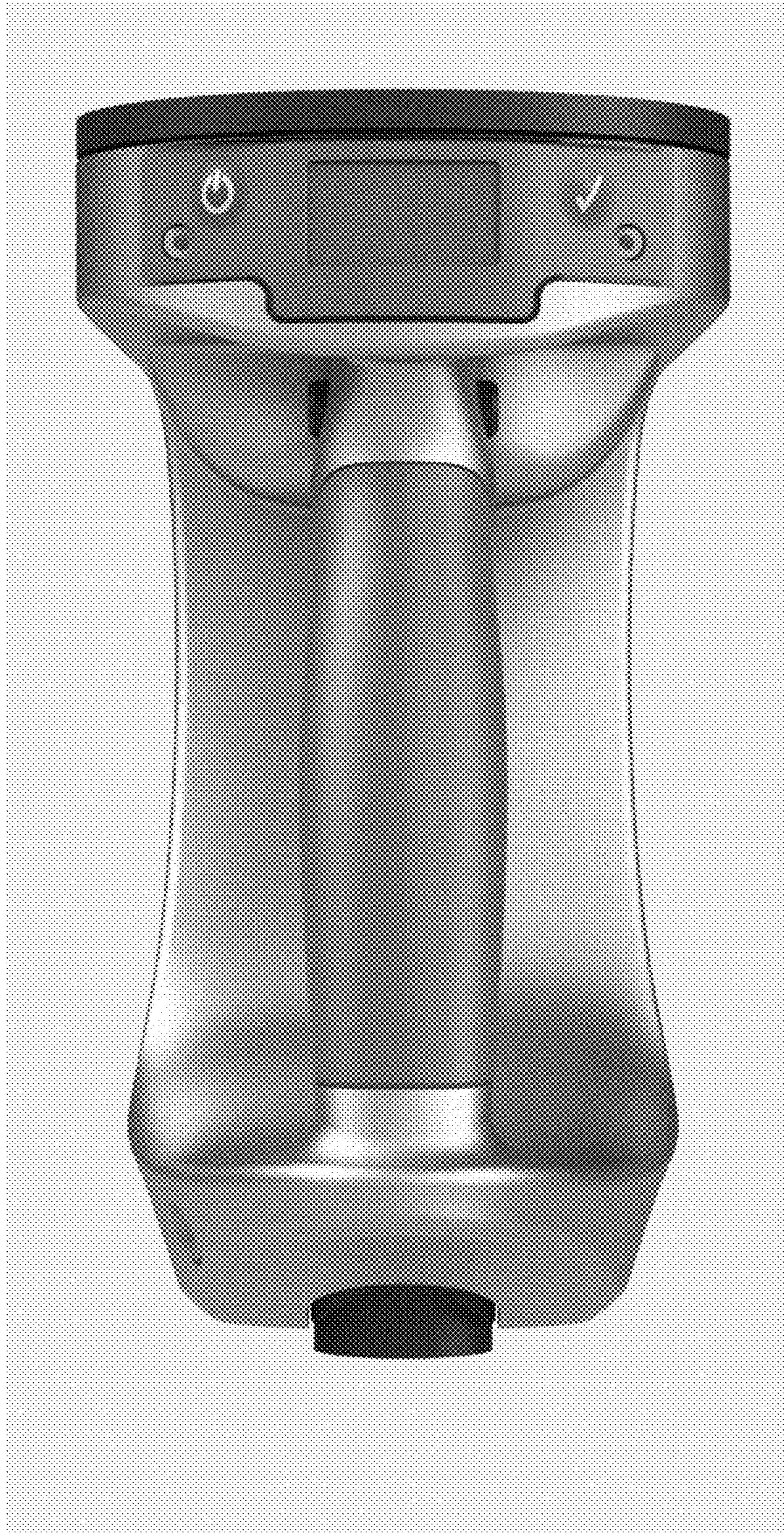


FIG 3

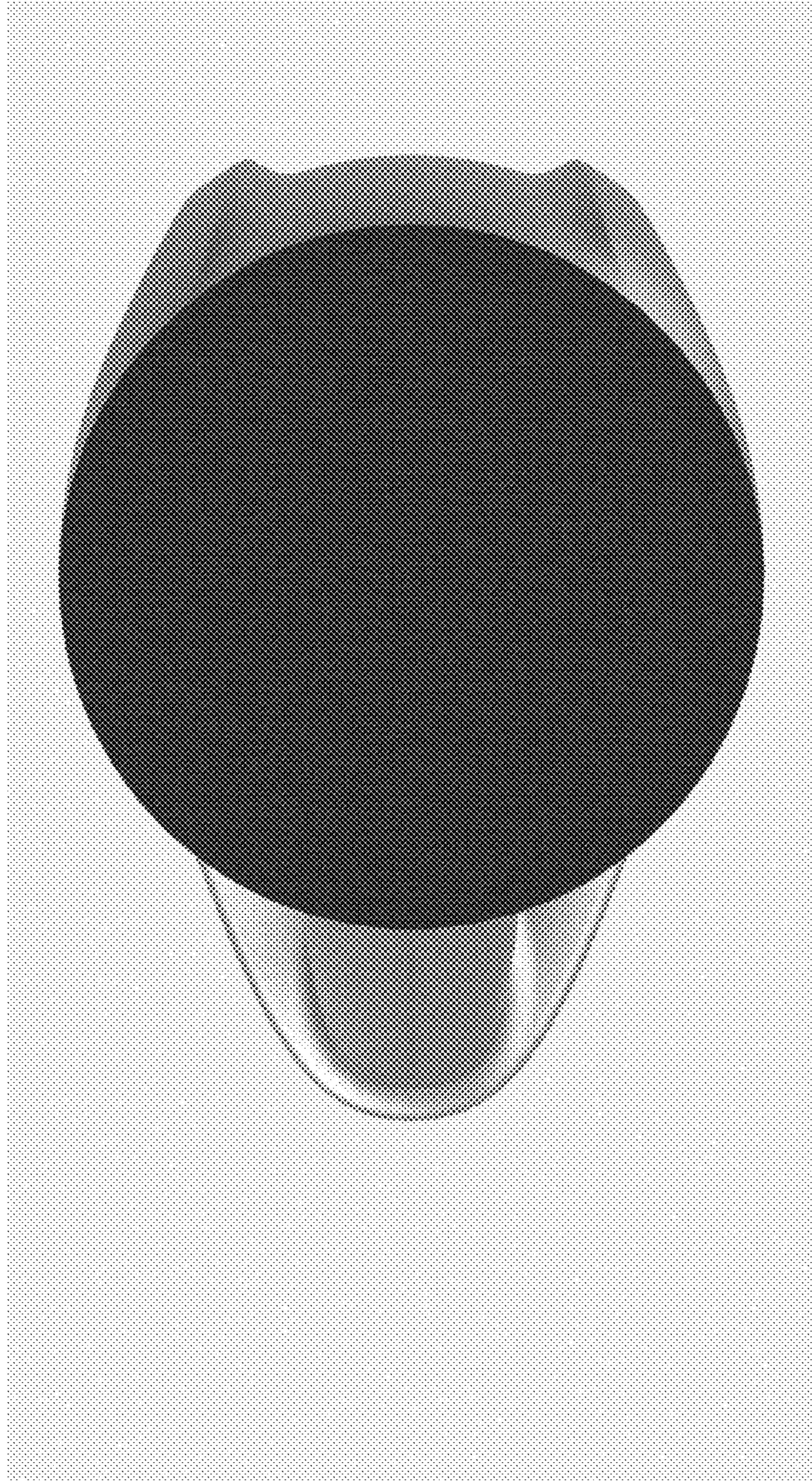


FIG 4

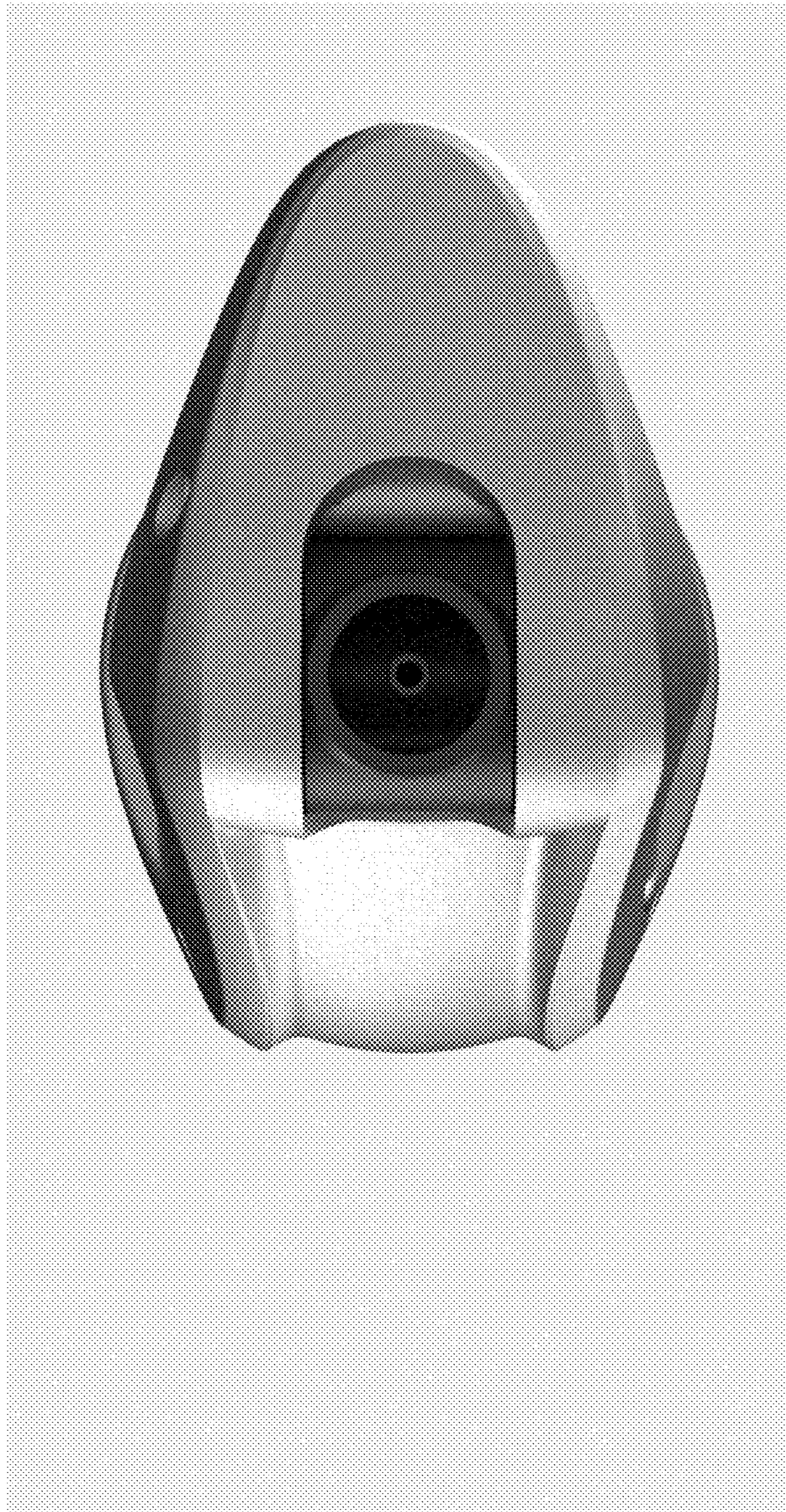


FIG 5



FIG 6



FIG 7