



US00D915720S

(12) **United States Design Patent**
Zhao

(10) **Patent No.:** **US D915,720 S**

(45) **Date of Patent:** **** Apr. 6, 2021**

(54) **ELECTRIC HYDRAULIC JACK**

(71) Applicant: **Wei Zhao**, Hangzhou (CN)

(72) Inventor: **Wei Zhao**, Hangzhou (CN)

(**) Term: **15 Years**

(21) Appl. No.: **29/716,936**

(22) Filed: **Dec. 13, 2019**

(51) **LOC (13) Cl.** **12-05**

(52) **U.S. Cl.**
USPC **D34/31**

(58) **Field of Classification Search**
USPC D34/28-37; D32/17-18
CPC B66F 3/24; B66F 3/42; B66F 3/00; B66F
5/00

See application file for complete search history.

(56) **References Cited**

U.S. PATENT DOCUMENTS

D827,231 S *	8/2018	Ward	D32/18
D873,522 S *	1/2020	Jin	D34/31
D874,757 S *	2/2020	Chei	D32/18
2016/0113455 A1 *	4/2016	Horvath	A47L 9/165 15/344

FOREIGN PATENT DOCUMENTS

CN 305341537 * 9/2019

OTHER PUBLICATIONS

Eambrite Car Jack, announced Aug. 2016 [online], [site visited Jan. 12, 2021]. Available from internet, URL: <https://www.amazon.com/>

EAMBRITE-Heavy-Ton%EF%BC%889900Ib%EF%BC%89-Hydraulic-Floor/dp/B01JRZK6U2/ref=pd_sbs_263_5/138-2998516-5852433 (Year: 2016).*

Ebay Car Jack, announced 2021 [online], [site visited Jan. 12, 2021]. Available from internet, URL: <https://www.ebay.com/i/113236489981?chn=ps&mkevt=1&mkcid=28> (Year: 2021).*

* cited by examiner

Primary Examiner — George A Bugg

Assistant Examiner — Tamara L Hahn

(74) *Attorney, Agent, or Firm* — ZANIP

(57) **CLAIM**

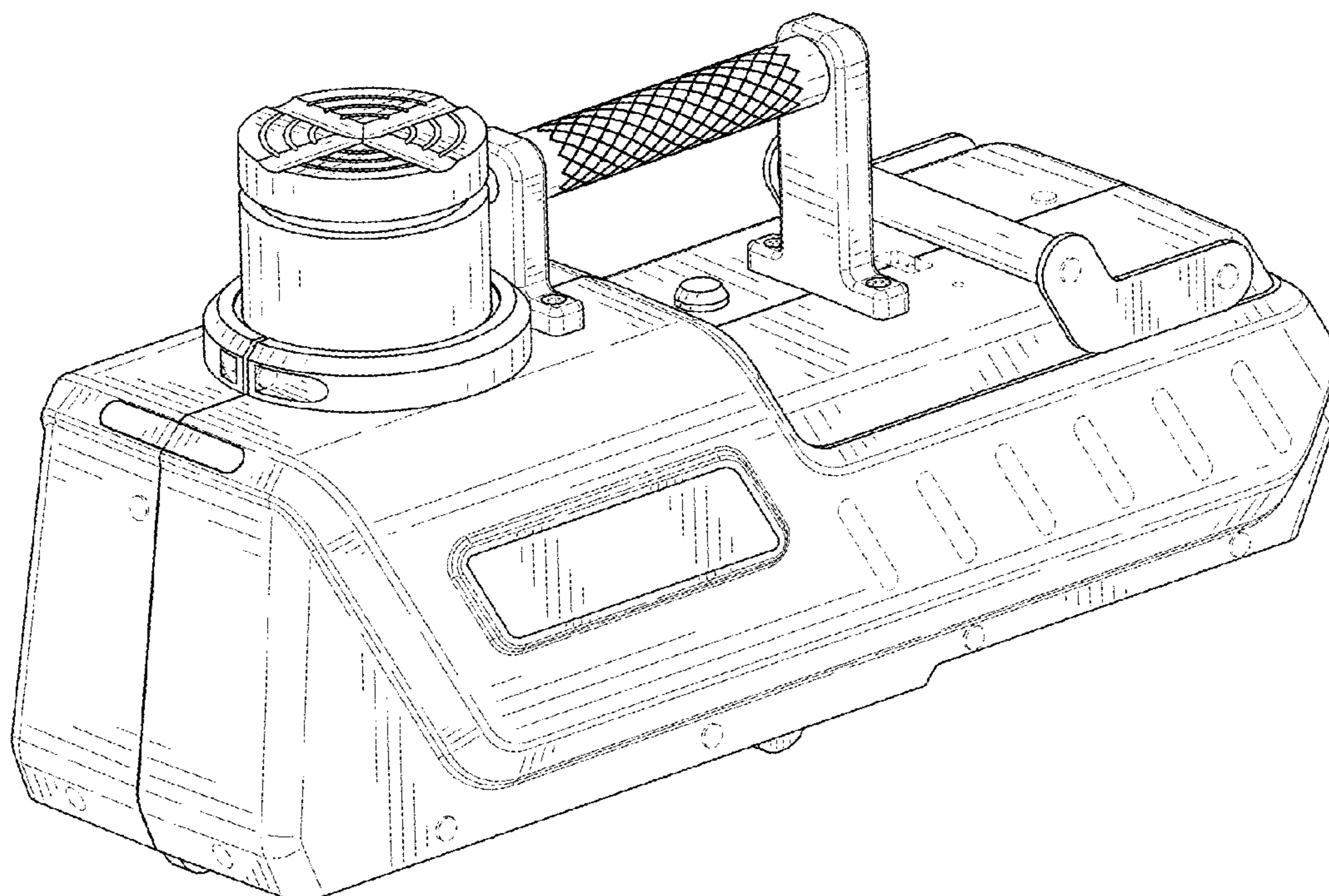
The ornamental design for an electric hydraulic jack, as shown and described.

DESCRIPTION

FIG. 1 is a front and top perspective view of an electric hydraulic jack, showing my new design; FIG. 2 is a rear and bottom perspective view thereof; FIG. 3 is a front elevational view thereof; FIG. 4 is a rear elevational view thereof; FIG. 5 is a left side elevational view thereof; FIG. 6 is a right side elevational view thereof; FIG. 7 is a top plan view thereof; and, FIG. 8 is a bottom plan view thereof.

The broken lines in the figures illustrate portions of the electric hydraulic jack that form no part of the claimed design.

1 Claim, 8 Drawing Sheets



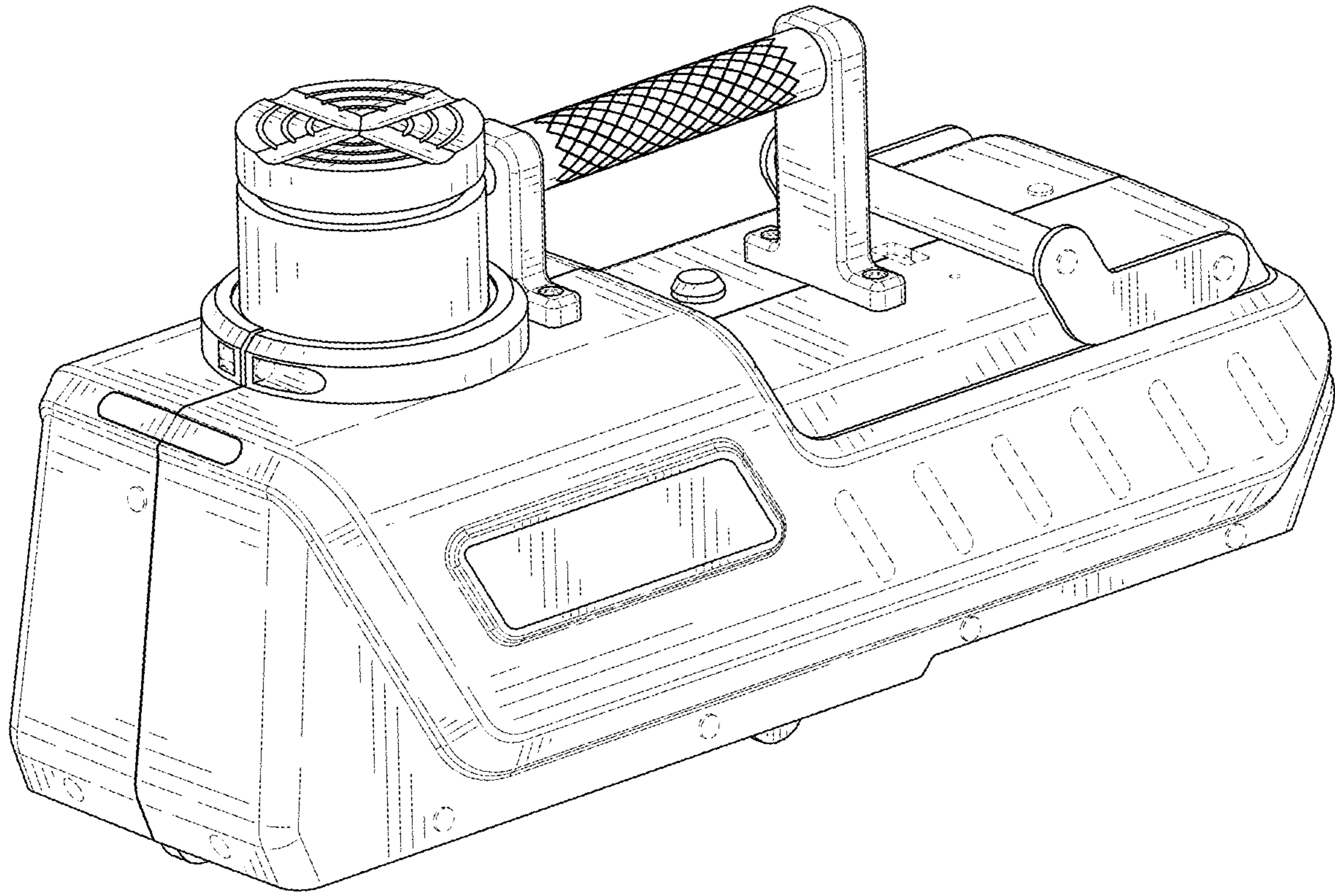


FIG. 1

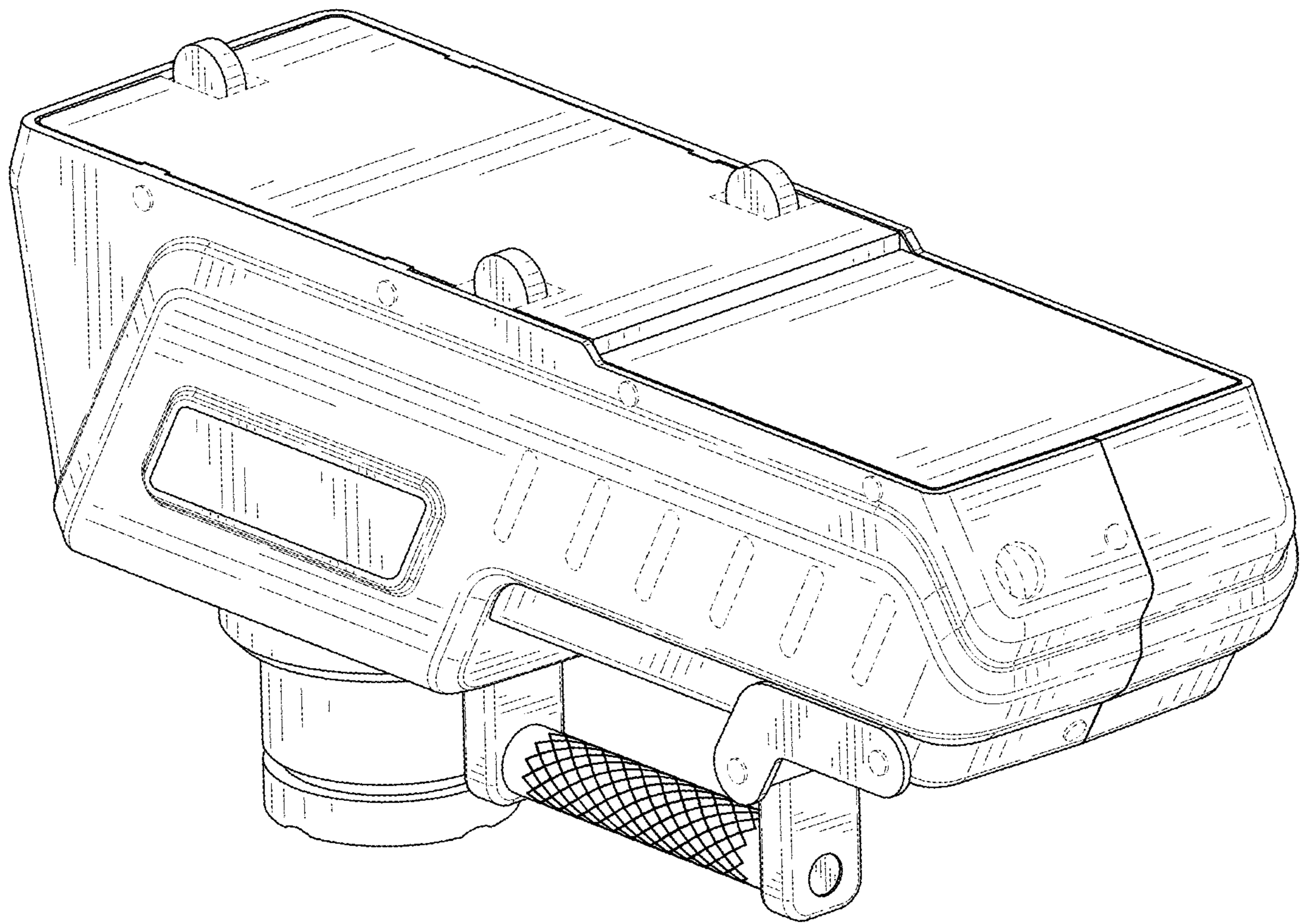


FIG. 2

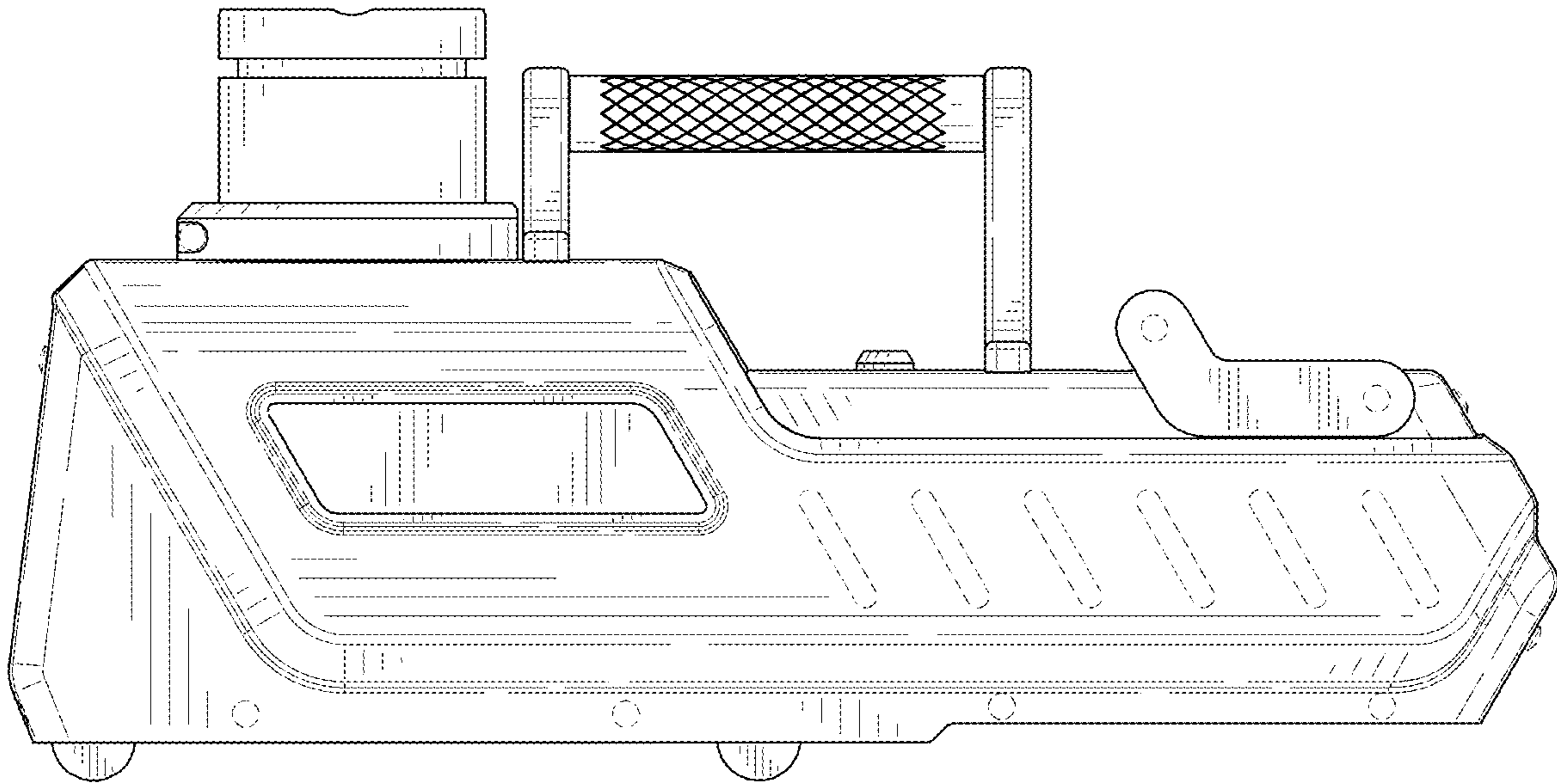


FIG. 3

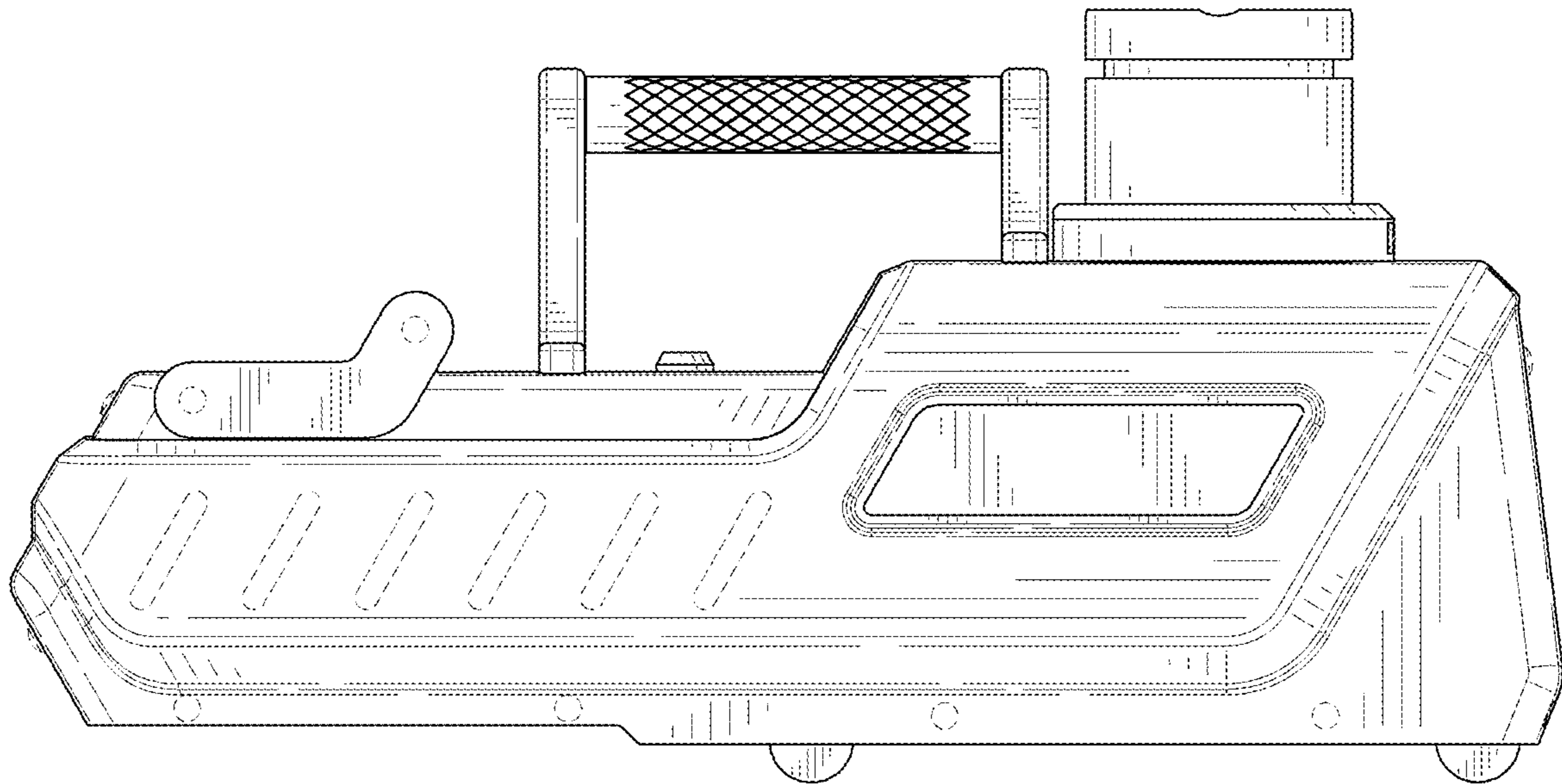


FIG. 4

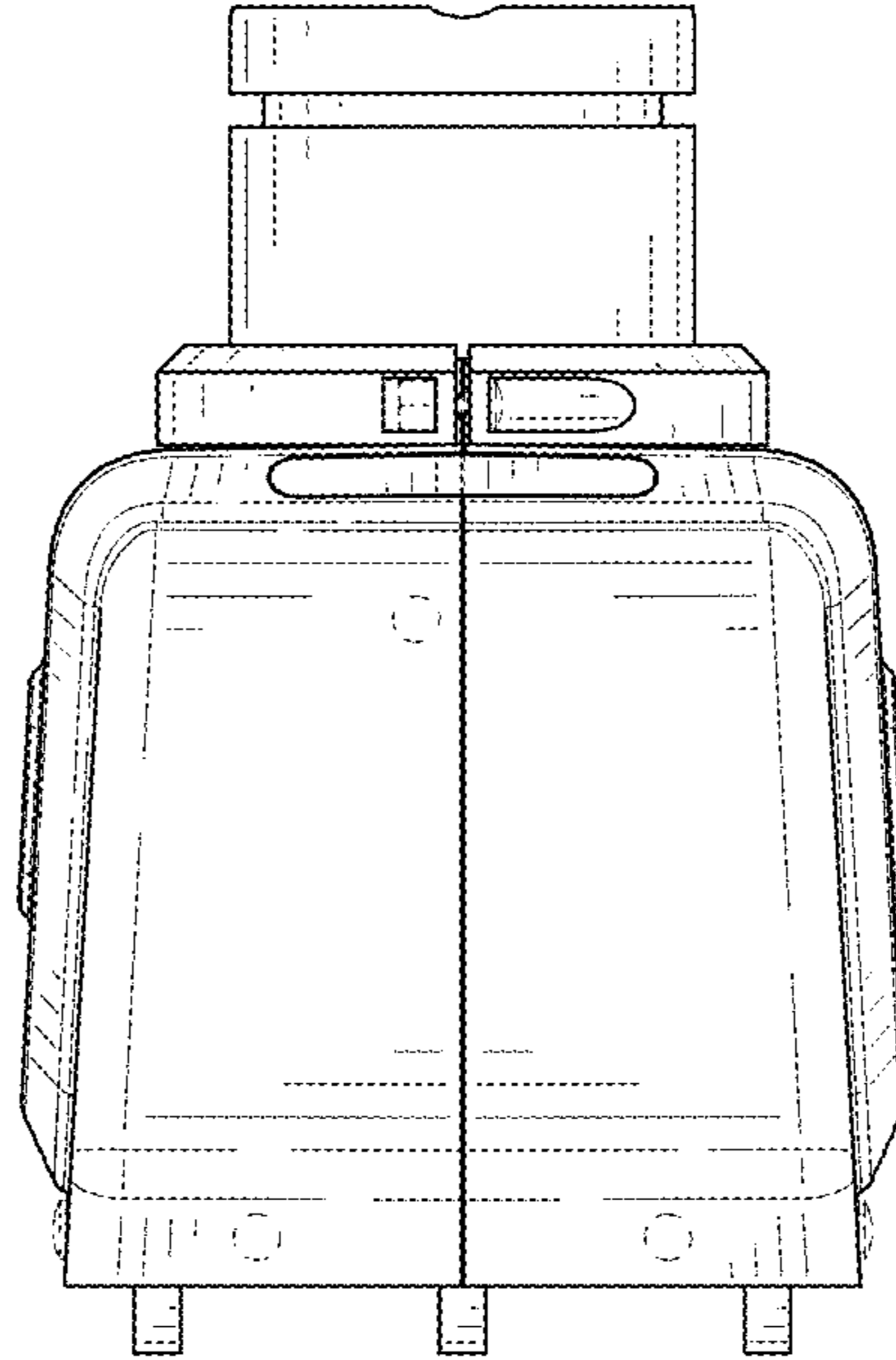


FIG. 5

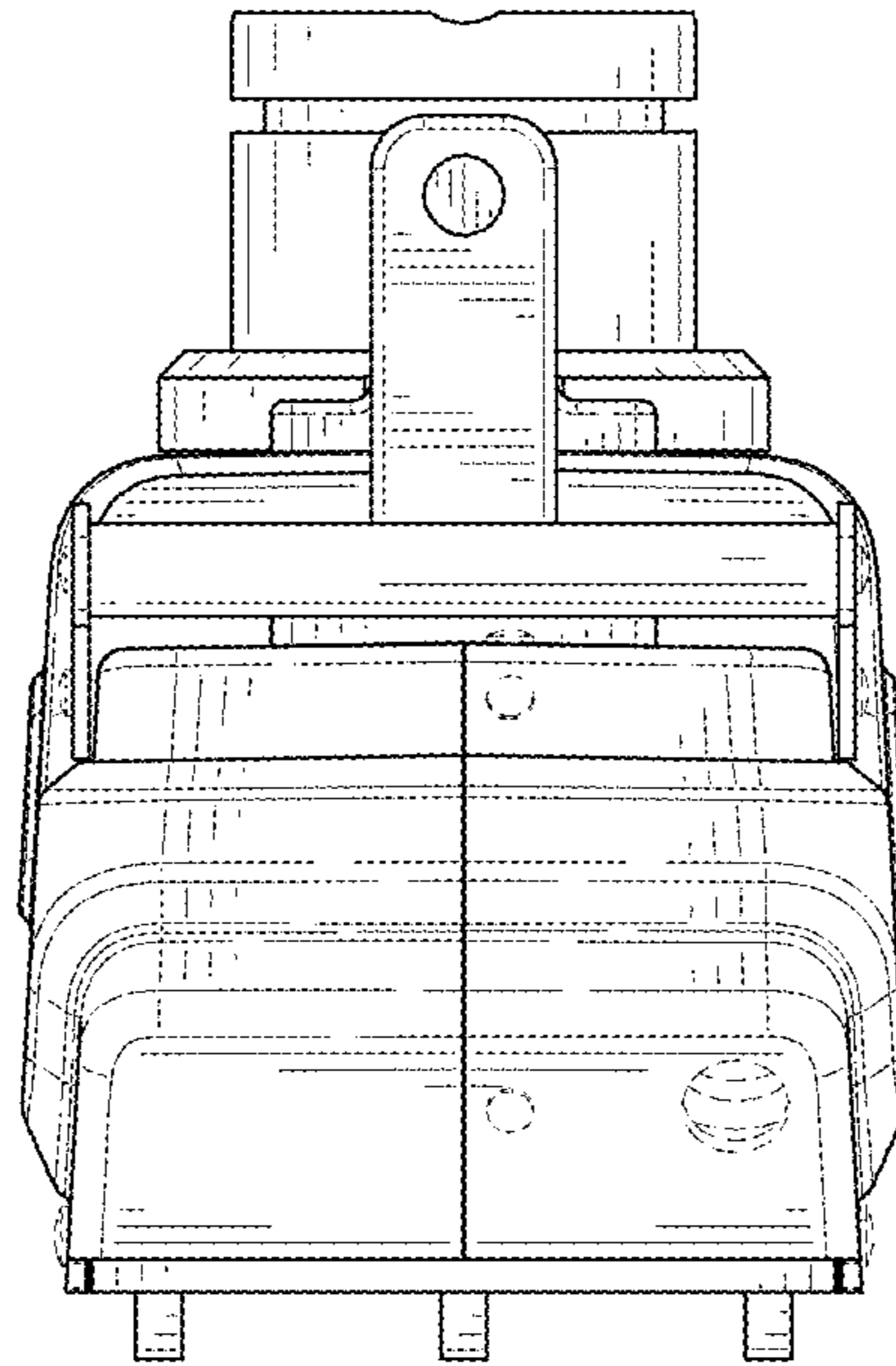


FIG. 6

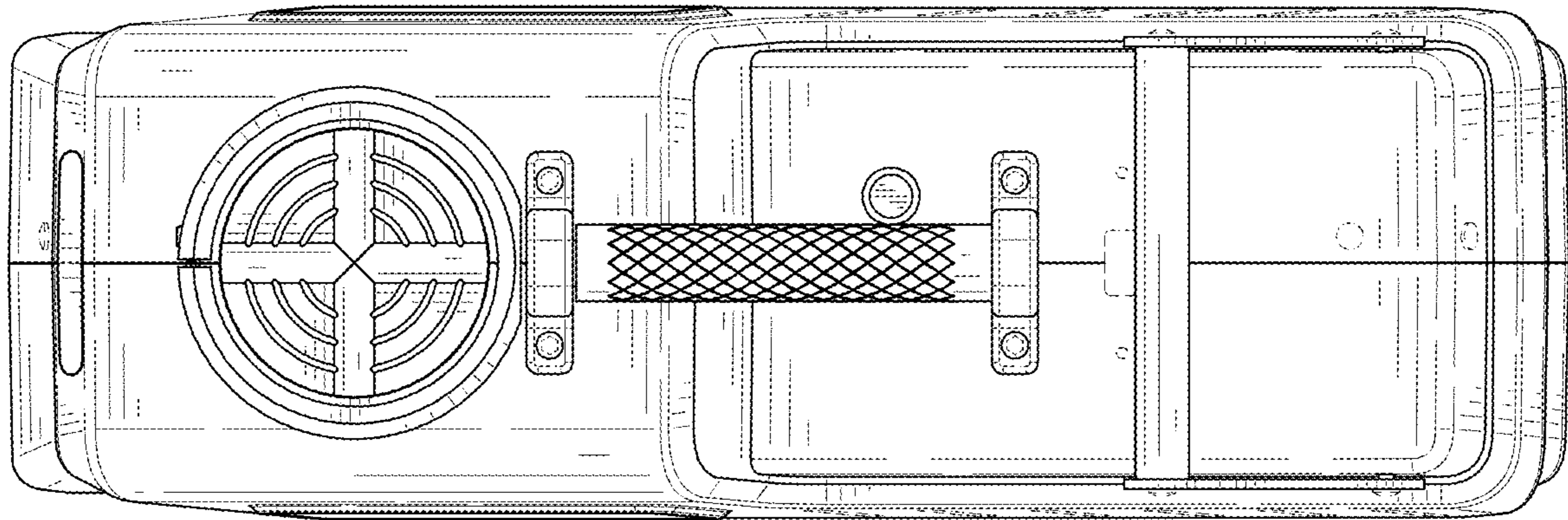


FIG. 7

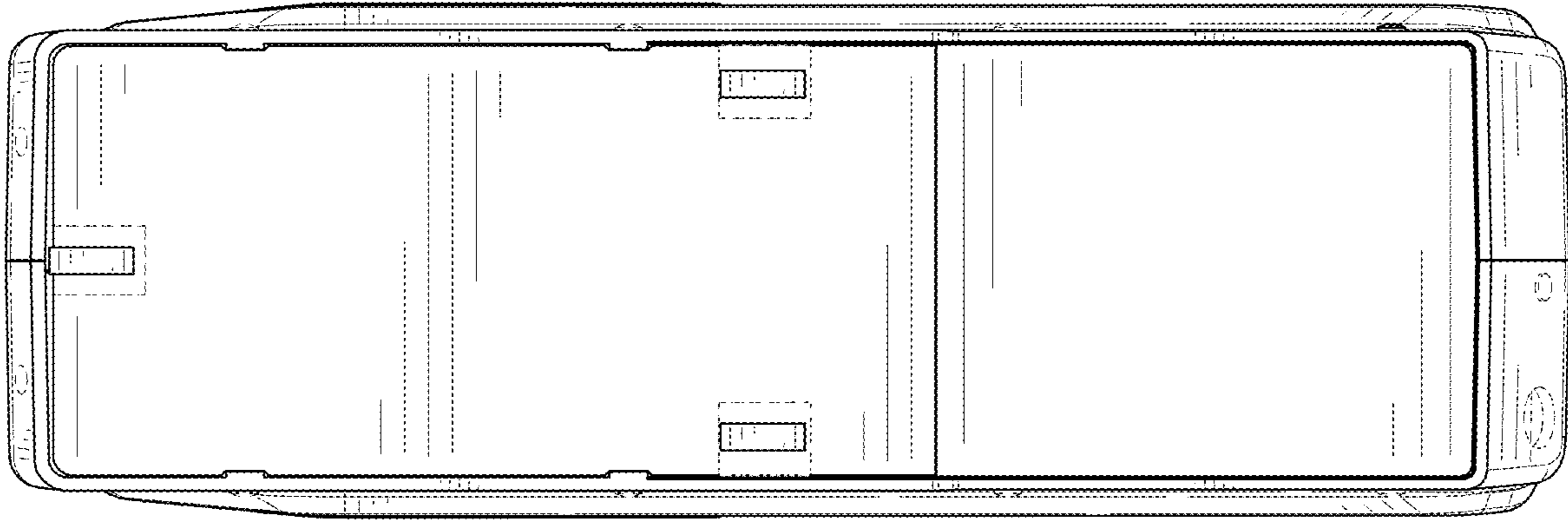


FIG. 8