



US00D915719S

(12) **United States Design Patent** (10) **Patent No.:** **US D915,719 S**
Wood (45) **Date of Patent:** **** Apr. 6, 2021**

- (54) **JACK RACK GRABBER**
- (71) Applicant: **A Wood Products LLC**, Poway, CA (US)
- (72) Inventor: **Adam Wood**, Poway, CA (US)
- (73) Assignee: **A Wood Products LLC**, Poway, CA (US)
- (**) Term: **15 Years**
- (21) Appl. No.: **29/687,719**
- (22) Filed: **Apr. 15, 2019**
- (51) **LOC (13) Cl.** **12-05**
- (52) **U.S. Cl.**
USPC **D34/31**
- (58) **Field of Classification Search**
USPC D34/12-39; D8/382, 356, 249, 252, 254,
D8/380, 105, 33; D25/119; D12/106
CPC B66F 3/18; B66F 13/00; B66F 1/00; B66F
19/00; F16L 1/06; F16L 1/0246; E02D
5/08; H01H 45/00; A62B 1/14
See application file for complete search history.

- (56) **References Cited**
U.S. PATENT DOCUMENTS
D524,507 S 7/2006 Simpson et al.
D568,127 S * 5/2008 Oas D8/34
D678,753 S * 3/2013 Ann D8/354
D870,543 S * 12/2019 Peyton D8/382
D888,518 S * 6/2020 Shih D8/29
D898,530 S * 10/2020 Guest D8/16

OTHER PUBLICATIONS
Step 22 Grabber, announced 2020 [online], [site visited Dec. 16, 2020]. Available from internet, URL: <https://step22gear.com/>

collections/view-all-products/products/silent-jack-for-hi-lift-jacks (Year: 2020).*

Extreme Terrain, announced 2015 [online], [site visited Dec. 16, 2020]. Available from internet, URL: <https://www.extremeterrain.com/rugged-ridge-prothane-jack-hi-183695.html> (Year: 2015).*

Handle Keeper Amazon, announced 2018 [online], [site visited Dec. 16, 2020]. Available from internet, URL: https://www.amazon.com/dp/B07S6SCQ9W/ref=sspa_dk_detail_4 (Year: 2018).*

Daystar Jack Handle Isolator; <https://www.daystarsuspensionparts.com/ku71071bk>.

Prothane jack grabber; <https://www.prothanesuspensionparts.com/191404>.

* cited by examiner

Primary Examiner — George A Bugg
Assistant Examiner — Tamara L Hahn
(74) *Attorney, Agent, or Firm* — Lewis Kohn & Walker LLP; Kent M. Walker; Kan Moyer-Henry

(57) **CLAIM**
The ornamental design for a jack rack grabber, as shown and described.

DESCRIPTION
FIG. 1 is a top perspective view of the jack rack grabber embodied in the present invention;
FIG. 2 is a top view of the jack rack grabber from FIG. 1;
FIG. 3 is a right side view of the jack rack grabber from FIG. 1;
FIG. 4 is a bottom view of the jack rack grabber from FIG. 1;
FIG. 5 is a left side view of the jack rack grabber from FIG. 1;
FIG. 6 is a front view of the jack rack grabber of FIG. 1; and,
FIG. 7 is a back view of the jack rack grabber of FIG. 1.

1 Claim, 4 Drawing Sheets

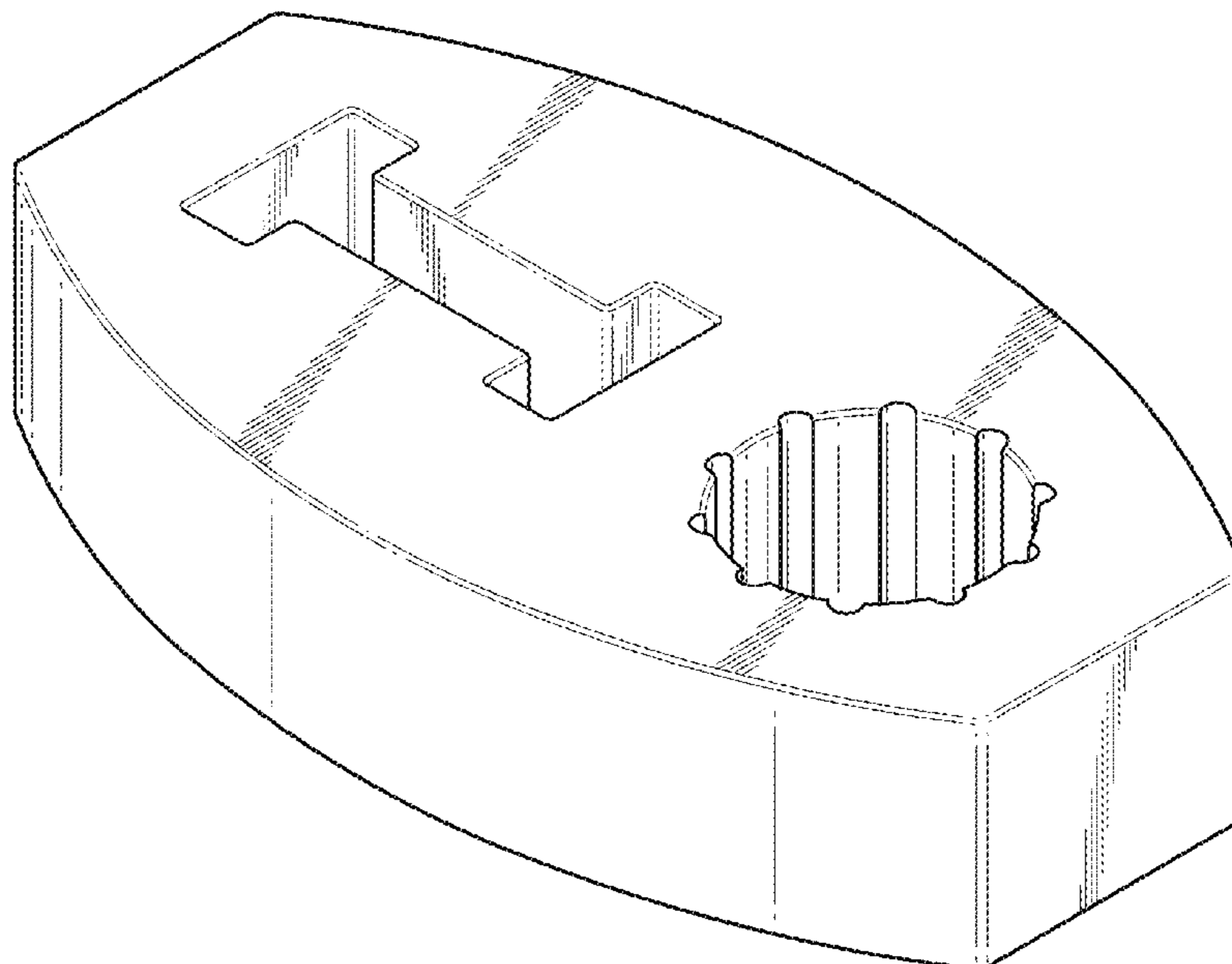


FIG. 1

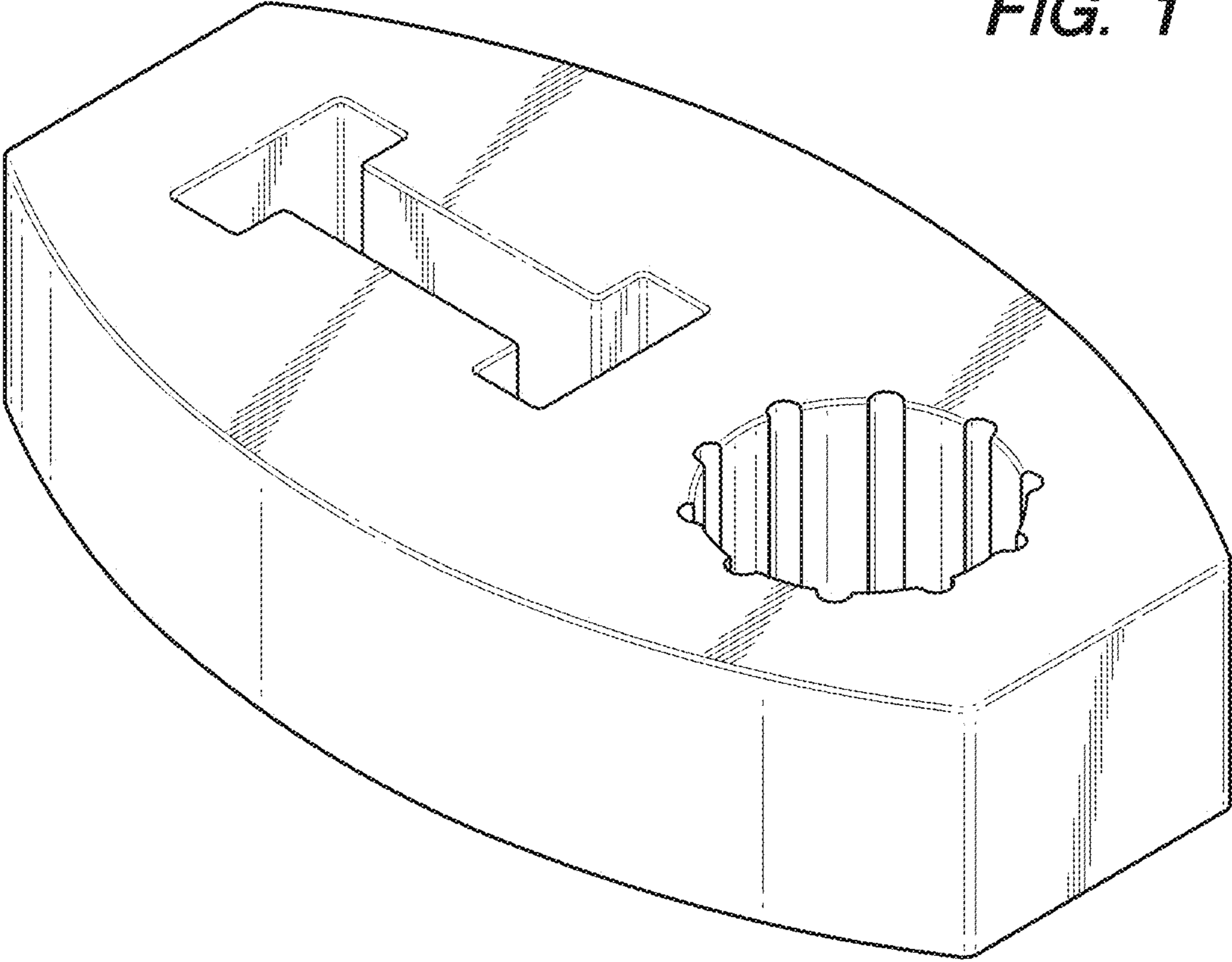


FIG. 2

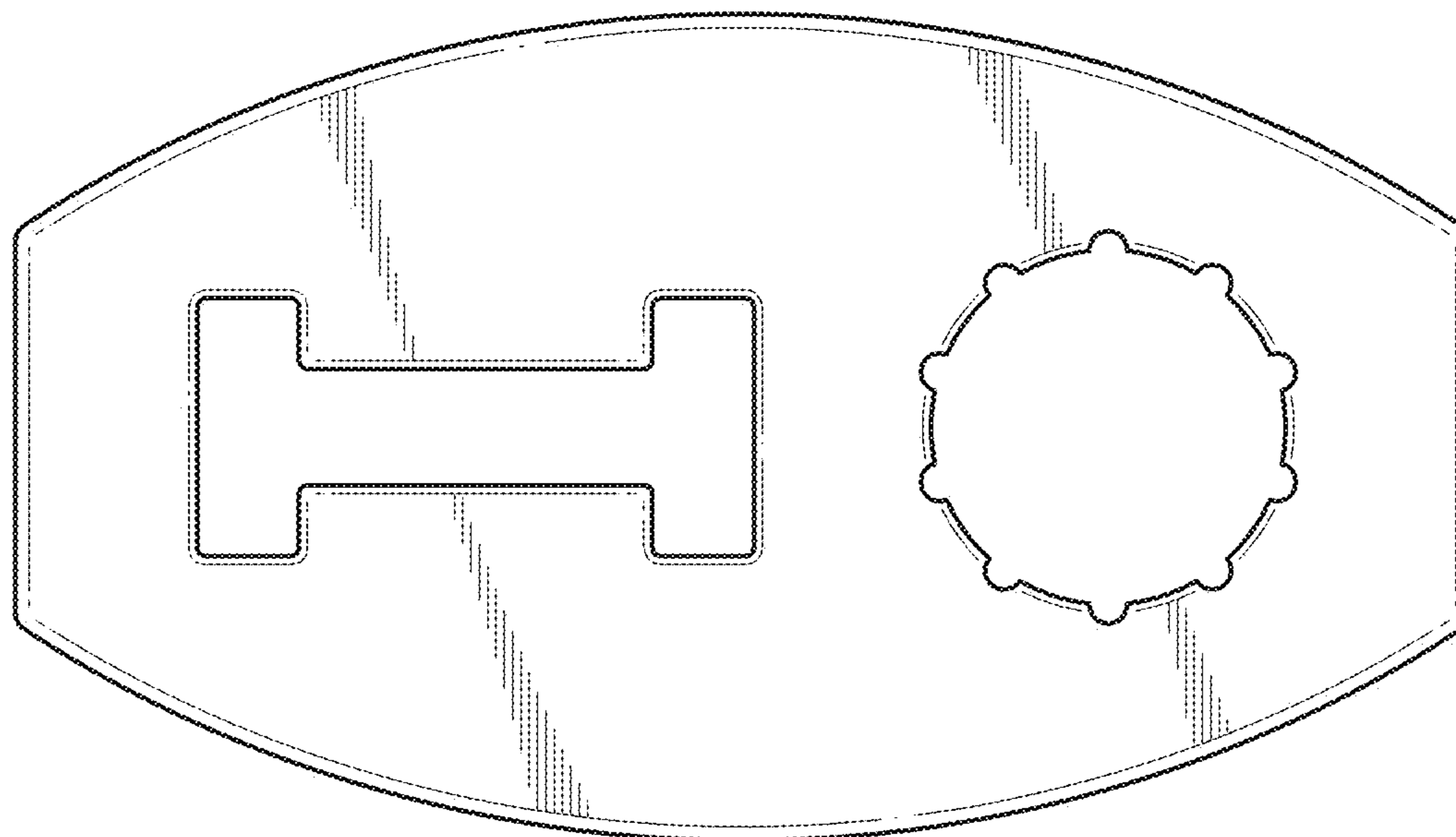


FIG. 3

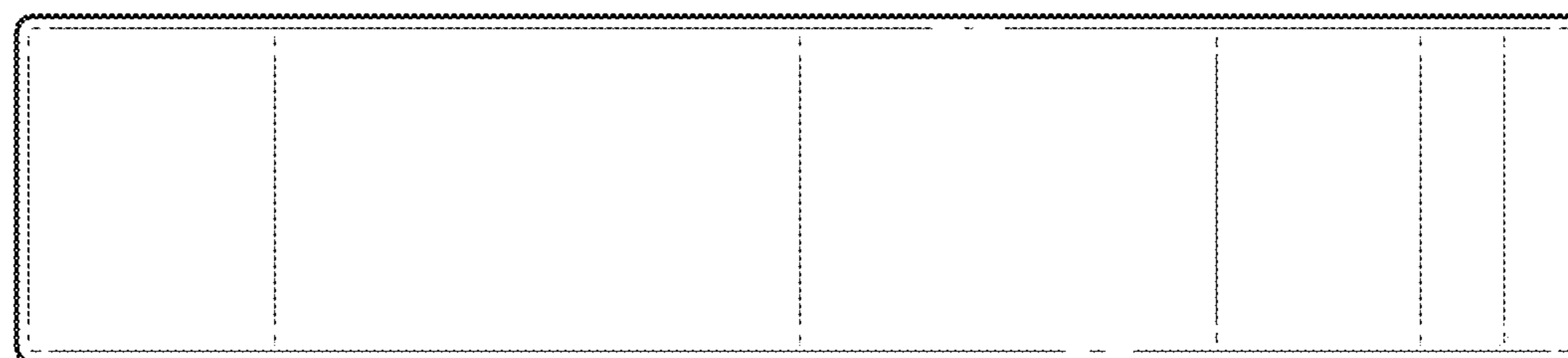


FIG. 4

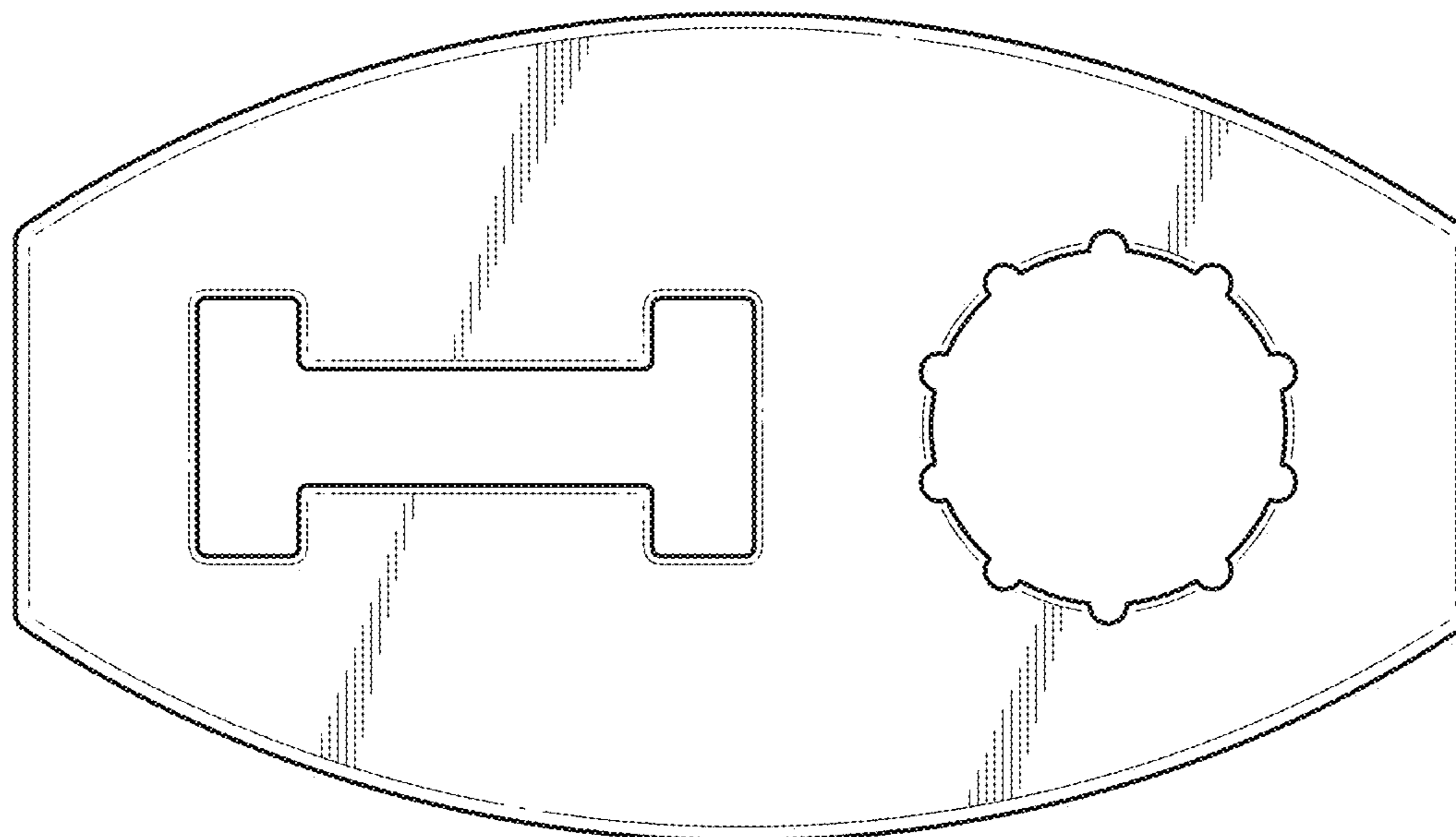


FIG. 5

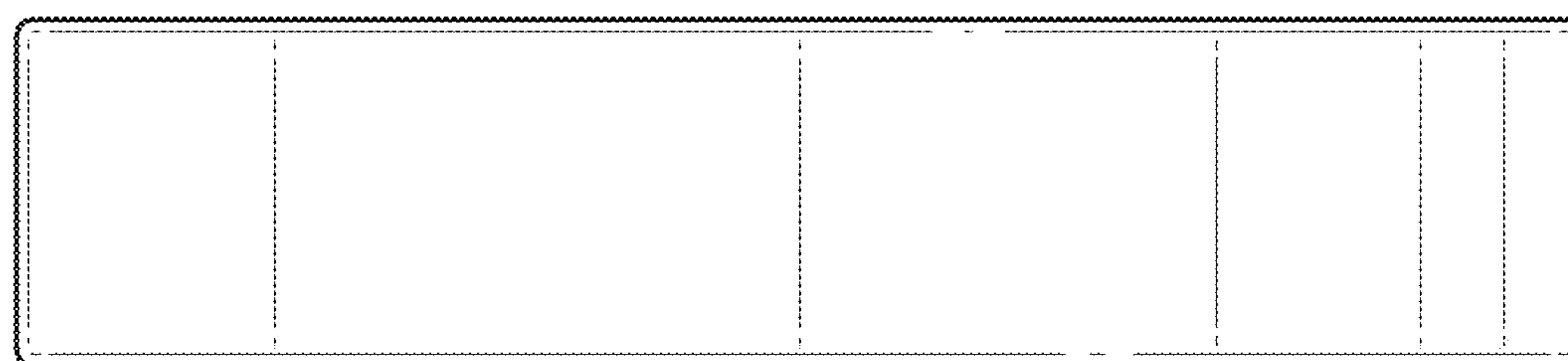


FIG. 6

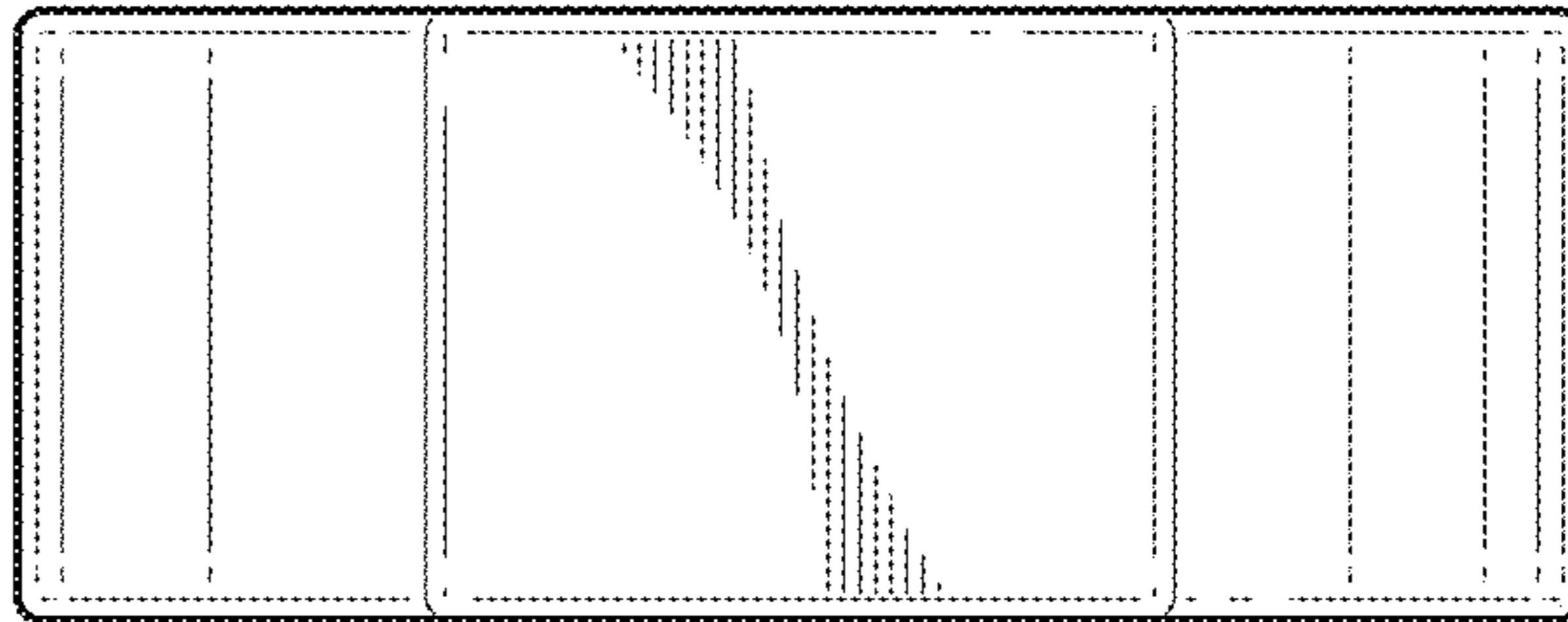


FIG. 7

