



US00D915717S

(12) **United States Design Patent** (10) **Patent No.:** **US D915,717 S**
Cai (45) **Date of Patent:** **** Apr. 6, 2021**

(54) **SHOPPING CART**
 (71) Applicant: **Lixuan Cai**, Foshan (CN)
 (72) Inventor: **Lixuan Cai**, Foshan (CN)
 (**) Term: **15 Years**
 (21) Appl. No.: **29/713,342**
 (22) Filed: **Nov. 15, 2019**
 (51) **LOC (13) Cl.** **12-02**
 (52) **U.S. Cl.**
 USPC **D34/17**
 (58) **Field of Classification Search**
 USPC D34/12-27
 CPC A47B 2031/002; B67D 2210/00133; B62B
 7/044; B62B 2205/00; B62B 3/02; B62B
 3/022; B62B 5/026; B62B 1/12; B62B
 7/12; B62B 1/00; B62B 1/10; B62B
 1/264; B62B 1/14; B62B 1/047; B62B
 1/04; B62B 3/005; B62B 3/004; B62B
 3/027; B62B 3/04
 See application file for complete search history.

(56) **References Cited**
 U.S. PATENT DOCUMENTS
 D200,401 S * 2/1965 Olson D34/18
 D273,522 S * 4/1984 Zastera D34/17
 4,448,434 A * 5/1984 Anderson B62B 1/12
 224/915
 D622,471 S * 8/2010 Hernandez D34/12
 D819,291 S * 5/2018 Turcotte D34/5
 D838,076 S * 1/2019 Sharratt D34/12
 10,392,041 B1 * 8/2019 Khodor B62B 1/12
 2009/0133517 A1 * 5/2009 Kamara B62B 5/0033
 74/10.29

2010/0026080 A1 * 2/2010 Colchiesqui B62B 5/026
 301/5.23
 2015/0166088 A1 * 6/2015 Khodor B62B 1/125
 280/639
 2019/0039635 A1 * 2/2019 Khubani B62B 5/026
 2019/0322302 A1 * 10/2019 Greenup B62B 5/026
 2020/0198681 A1 * 6/2020 Jian B62B 5/02

OTHER PUBLICATIONS

Google search, <https://www.ebay.com/itm/Stair-Climbing-Hand-Truck-Trolley-Dolly-Wheels-Climber-Folding-Shopping-Cart-US-/333634025594>, Nov. 23, 2020 (Year: 2020).*
 Google search, https://www.uhoolex.com/index.php?main_page=product_info&products_id=674786, Nov. 23, 2020 (Year: 2020).*

* cited by examiner

Primary Examiner — Cynthia Ramirez

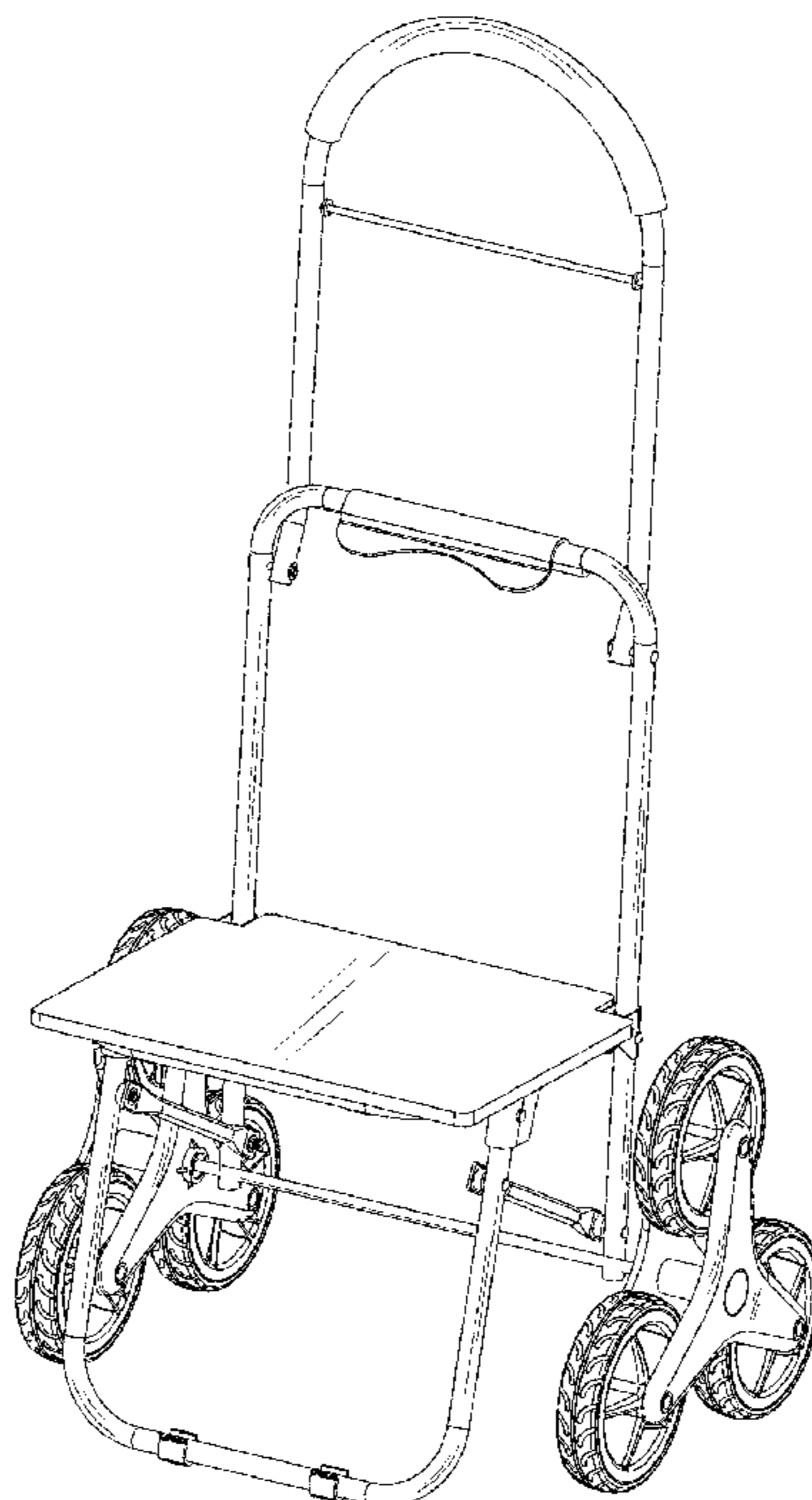
(57) **CLAIM**

The ornamental design for a shopping cart, as shown and described.

DESCRIPTION

FIG. 1 is a perspective view illustrating the new design for a shopping cart;
 FIG. 2 is a front elevation view thereof;
 FIG. 3 is a back elevation view thereof;
 FIG. 4 is a left elevation view thereof;
 FIG. 5 is a right elevation view thereof;
 FIG. 6 is a top elevation view thereof; and,
 FIG. 7 is a bottom elevation view thereof.
 The portions of the shopping cart shown in broken lines in FIG. 7 form no part of the claimed design.

1 Claim, 7 Drawing Sheets



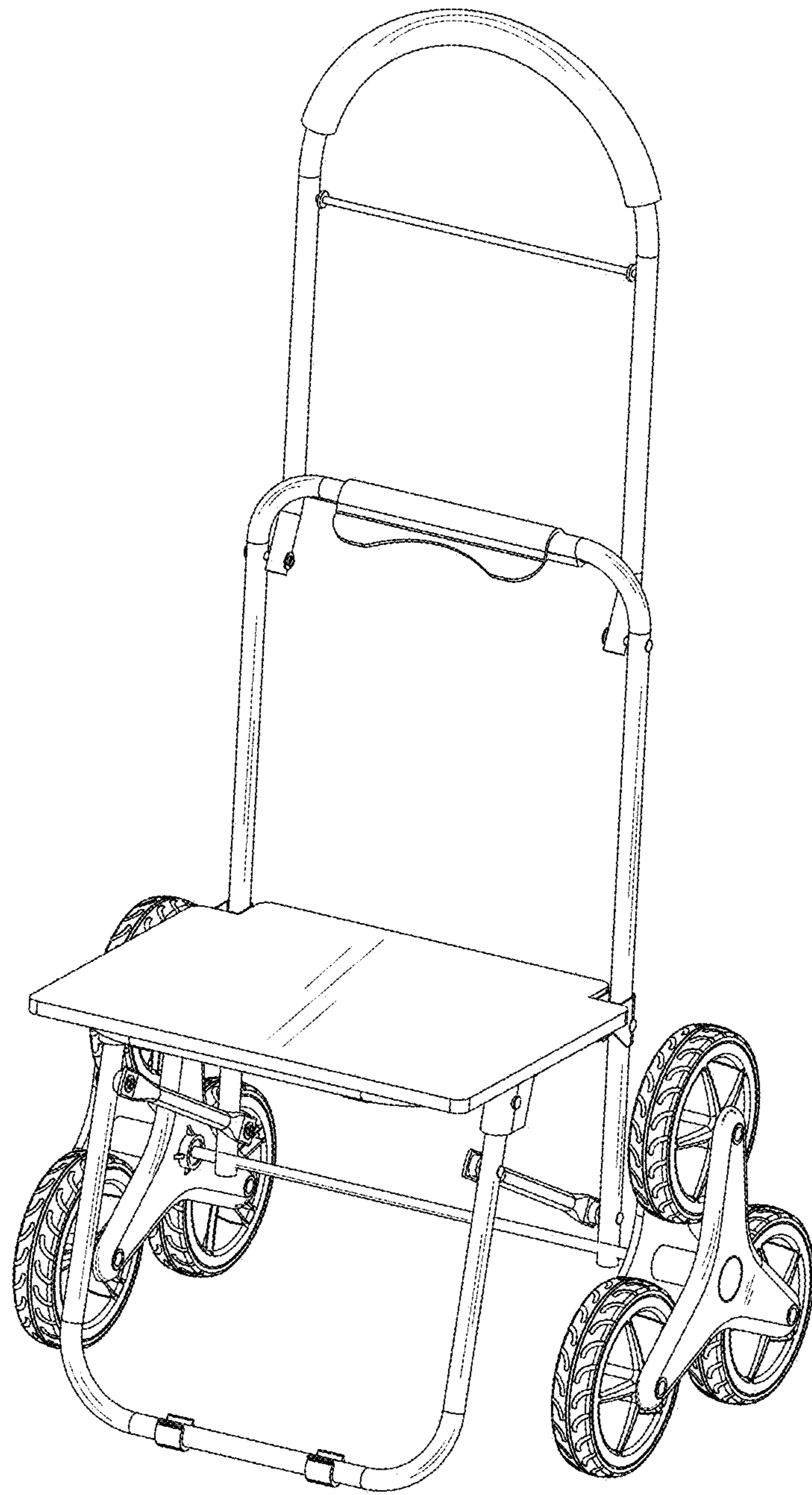


FIG. 1

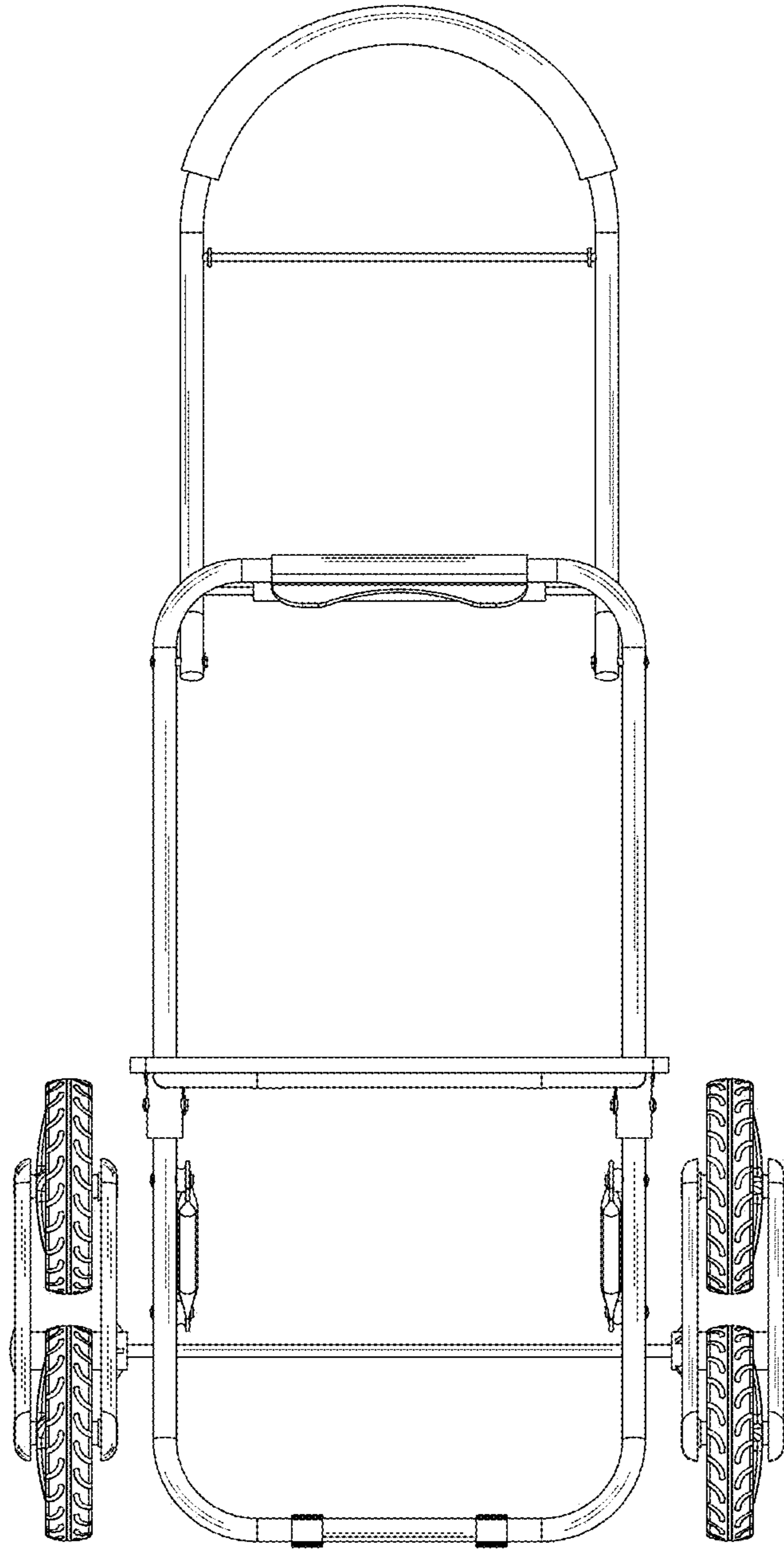


FIG. 2

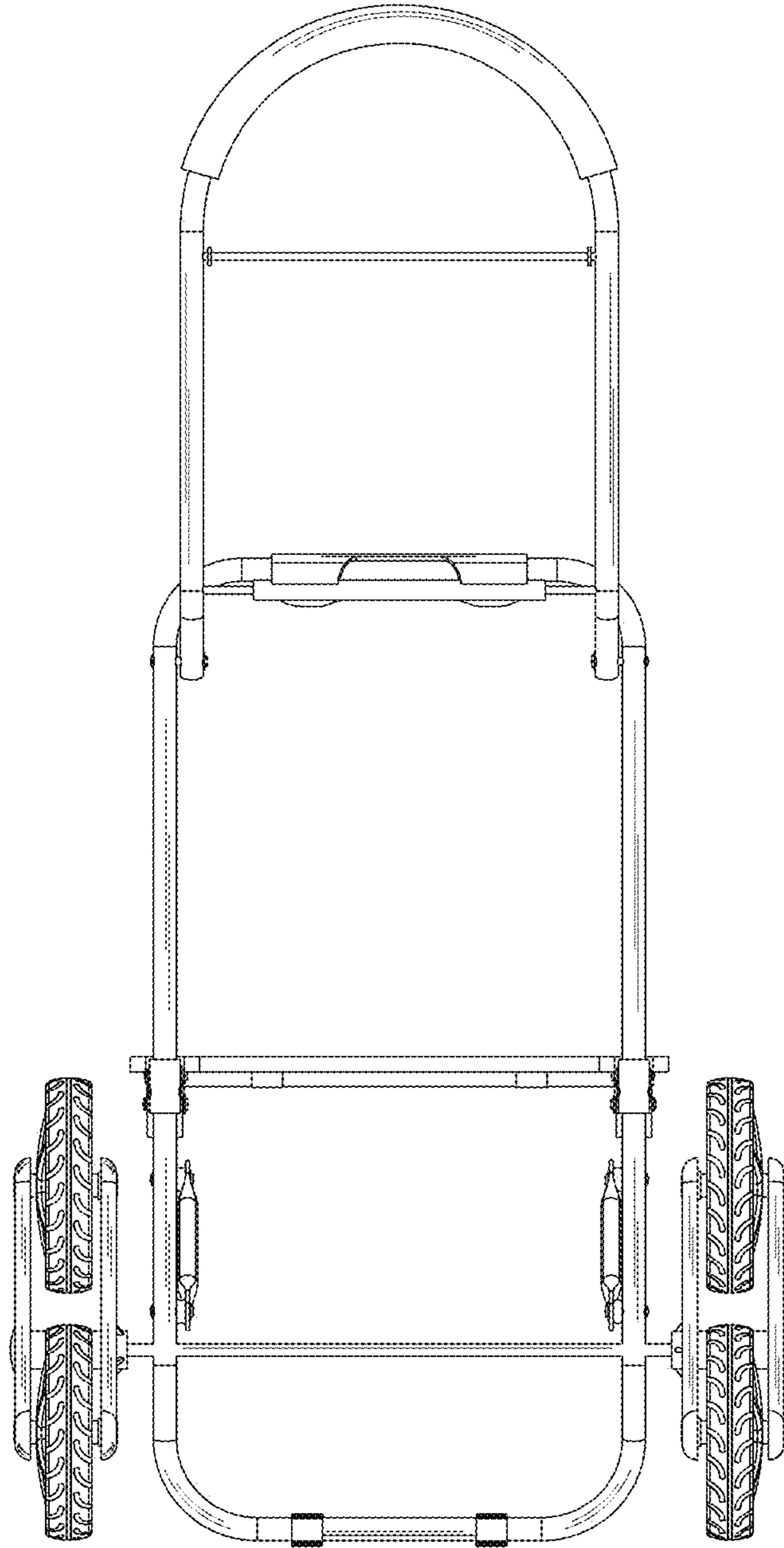


FIG. 3

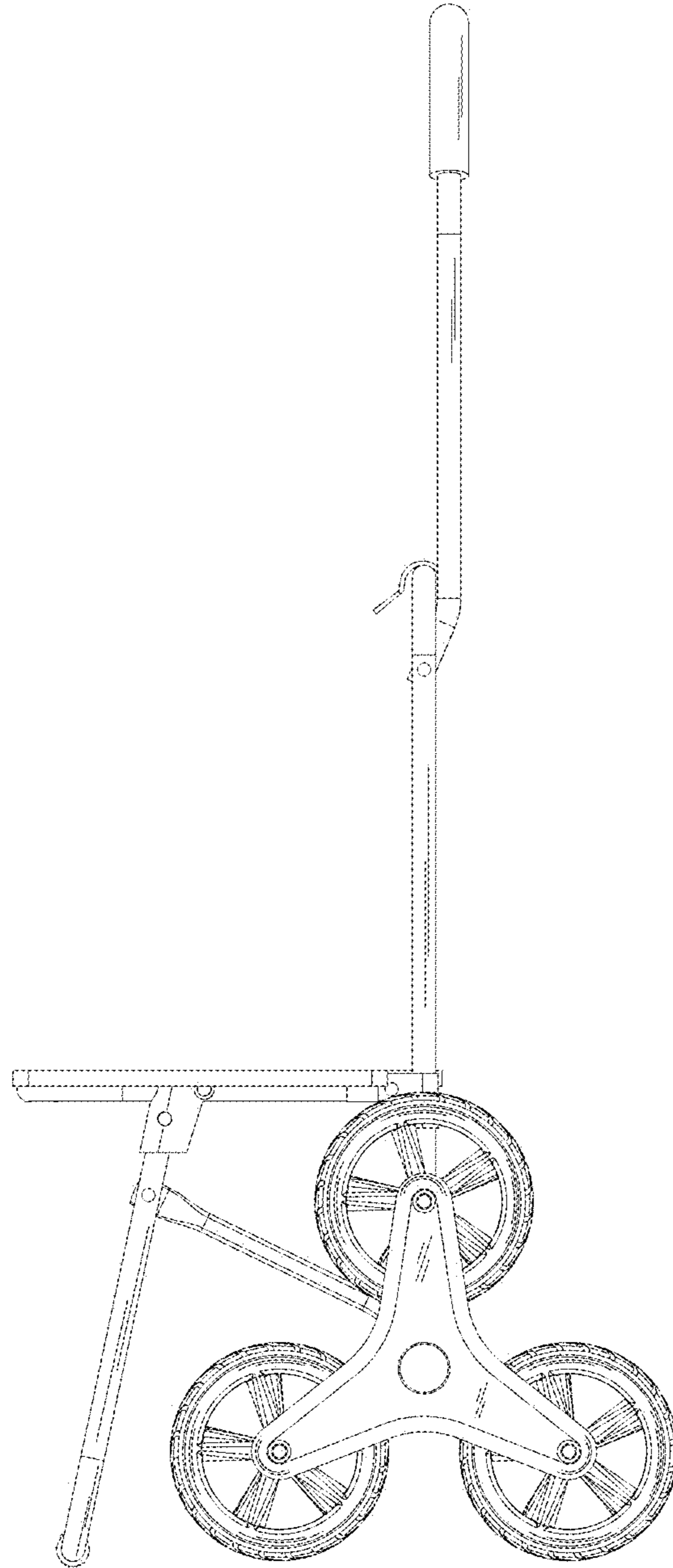


FIG. 4

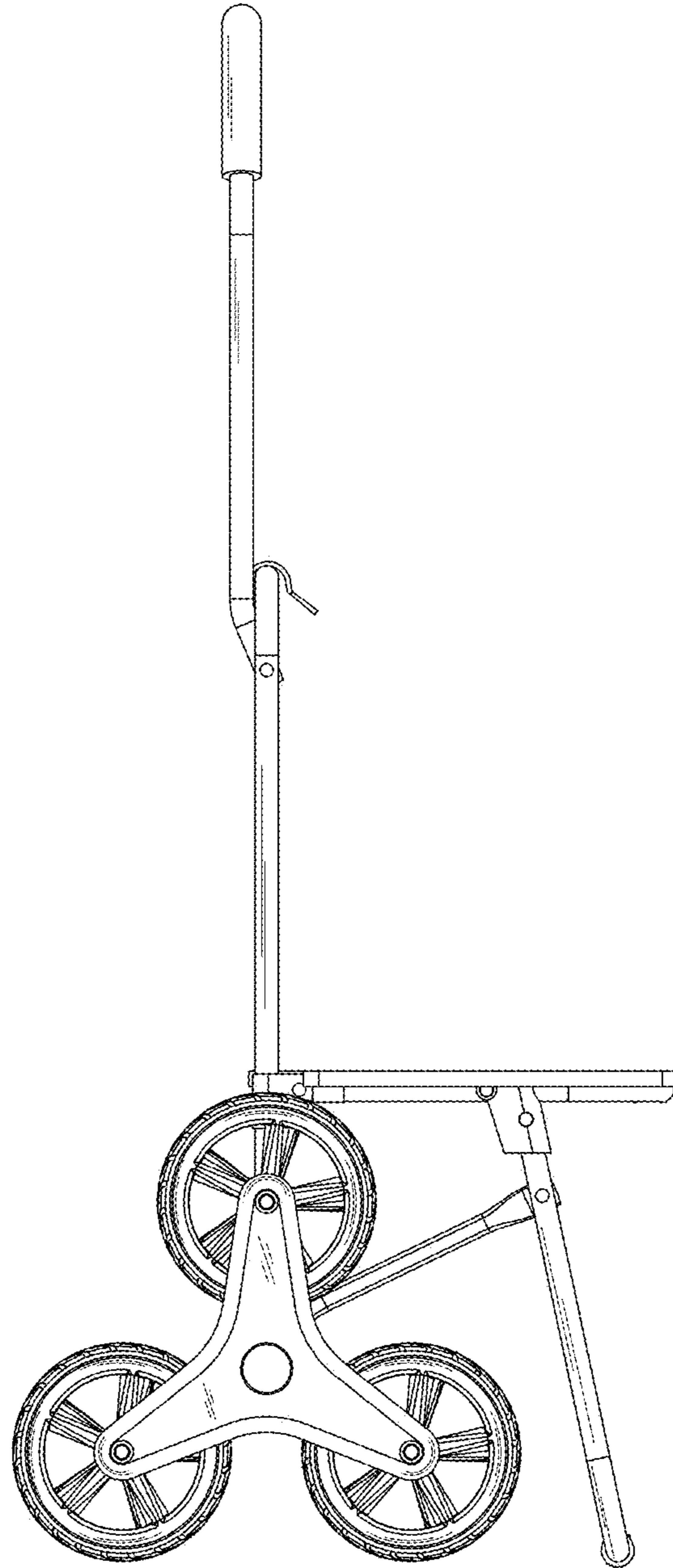


FIG. 5

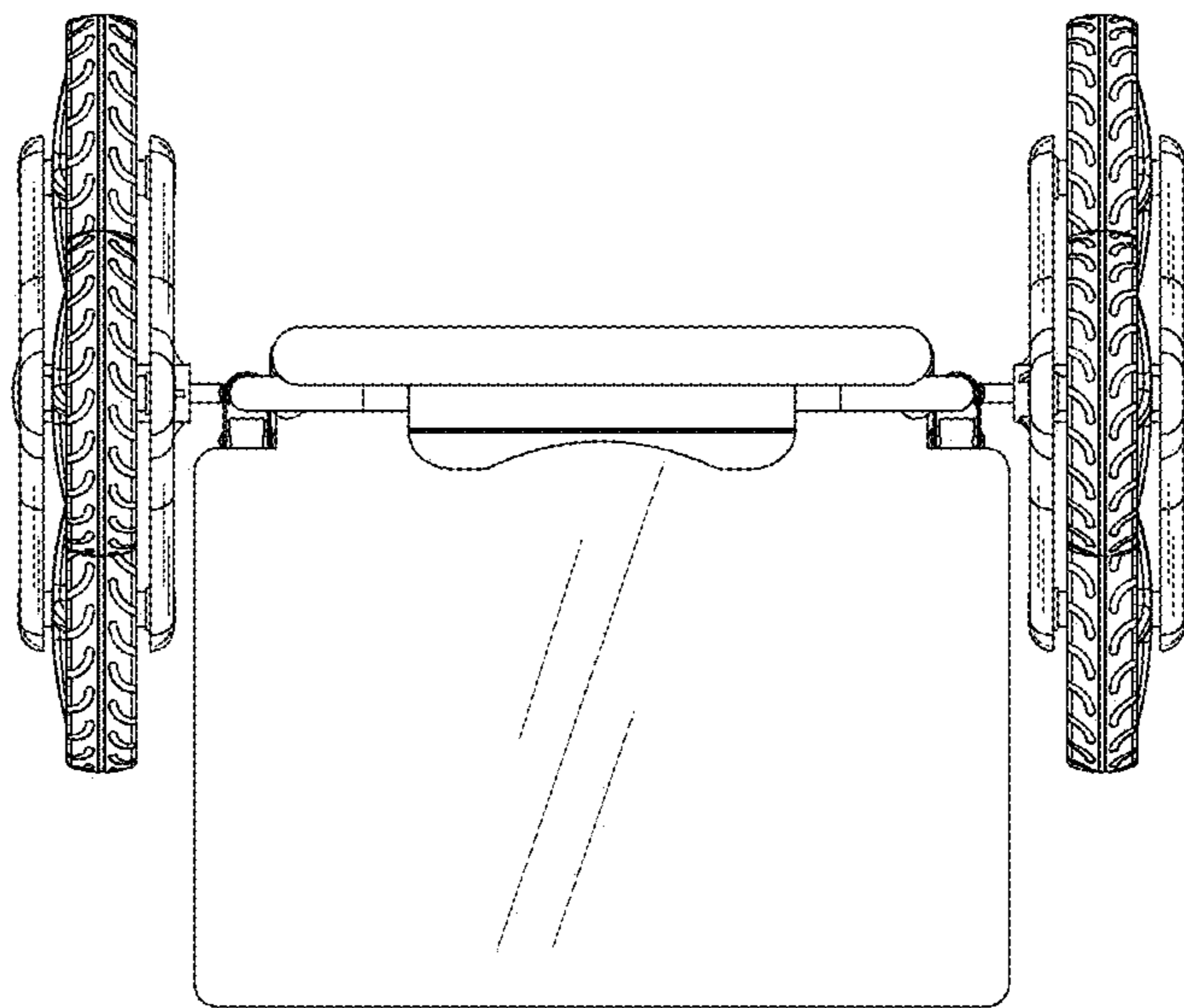


FIG. 6

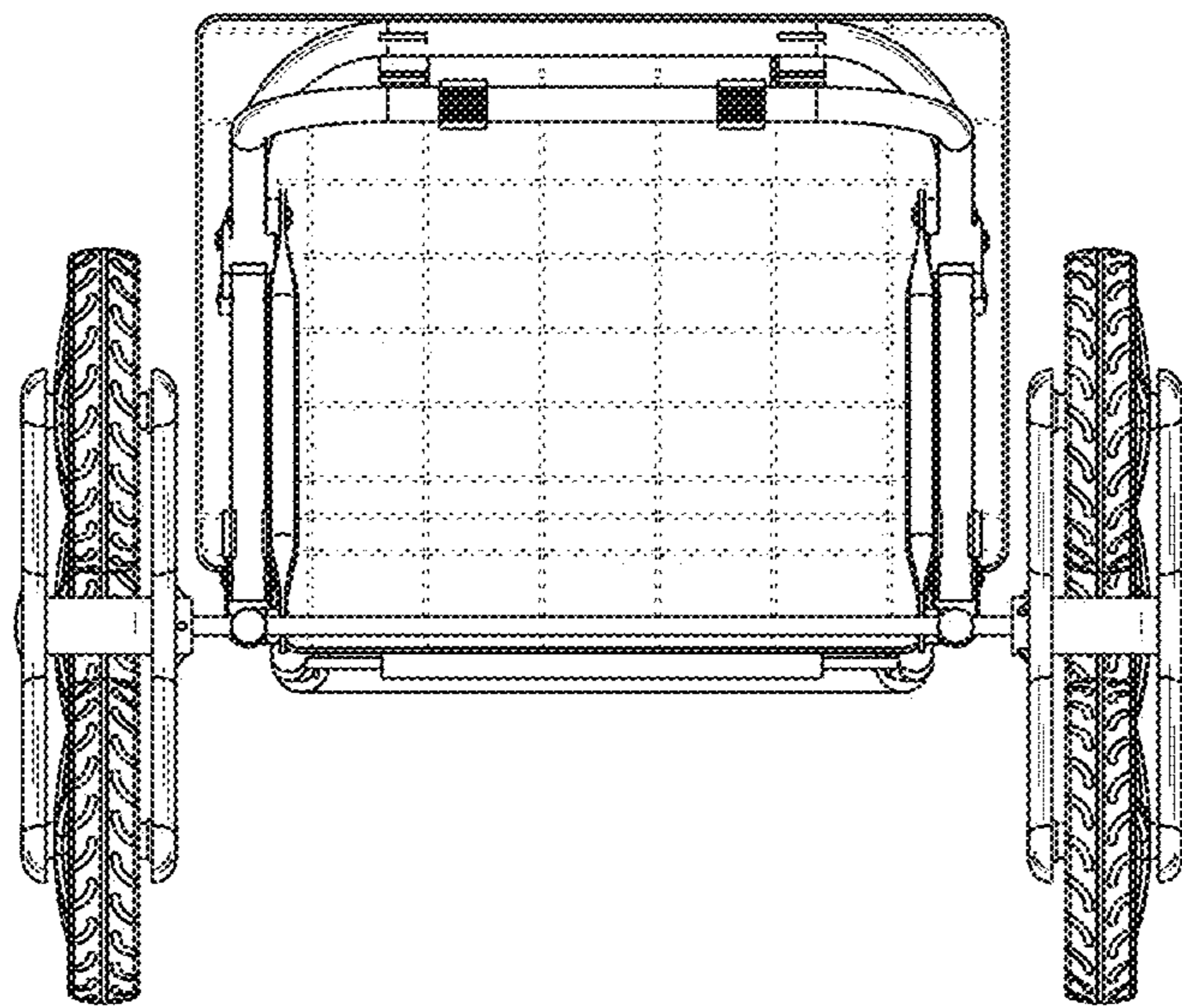


FIG. 7