



US00D915715S

(12) **United States Design Patent**
Berg

(10) **Patent No.:** **US D915,715 S**

(45) **Date of Patent:** **** Apr. 6, 2021**

(54) **GARBAGE CAN HITCH**

(71) Applicant: **THXC, LLC**, Eugene, OR (US)

(72) Inventor: **Lanny Berg**, Eugene, OR (US)

(73) Assignee: **THXC, LLC**, Eugene, OR (US)

(**) Term: **15 Years**

(21) Appl. No.: **29/718,798**

(22) Filed: **Dec. 28, 2019**

(51) **LOC (13) Cl.** **09-09**

(52) **U.S. Cl.**
USPC **D34/10**

(58) **Field of Classification Search**
USPC D34/10, 11; D8/349, 354; D9/435
CPC .. B65F 1/1607; B65F 2001/1653; B65F 1/06;
B65F 1/1615; E05B 65/006
See application file for complete search history.

(56) **References Cited**

U.S. PATENT DOCUMENTS

D340,857 S *	11/1993	Light	D34/10
5,465,867 A *	11/1995	Yown	B65F 1/00
				220/694
D576,025 S *	9/2008	Mazzocco	D8/382
D754,525 S *	4/2016	Kandakur	D8/354
D880,095 S *	3/2020	Hodge	D34/10
D902,016 S *	11/2020	Yehishalom	D8/354
2010/0314404 A1 *	12/2010	Baltz	B65F 1/1615
				220/834
2014/0306465 A1 *	10/2014	Kreitzer	B65F 1/1615
				292/305
2015/0035288 A1 *	2/2015	Fink	B65F 1/1615
				292/2

2017/0320666 A1* 11/2017 Reeb E05B 65/5292

* cited by examiner

Primary Examiner — Cynthia Ramirez

(74) *Attorney, Agent, or Firm* — Renaissance IP Law Group, LLP; David A. Crowther

(57) **CLAIM**

The ornamental design for a garbage can hitch, as shown and described.

DESCRIPTION

FIG. 1 is a first perspective view of a garbage can hitch according to my new design;

FIG. 2 is a second perspective view of the garbage can hitch of FIG. 1;

FIG. 3 is a third perspective view of the garbage can hitch of FIG. 1;

FIG. 4 is a fourth perspective view of the garbage can hitch of FIG. 1;

FIG. 5 is a fifth perspective view of the garbage can hitch of FIG. 1;

FIG. 6 is a sixth perspective view of the garbage can hitch of FIG. 1;

FIG. 7 is a first side view of the garbage can hitch of FIG. 1;

FIG. 8 is a second side view of the garbage can hitch of FIG. 1;

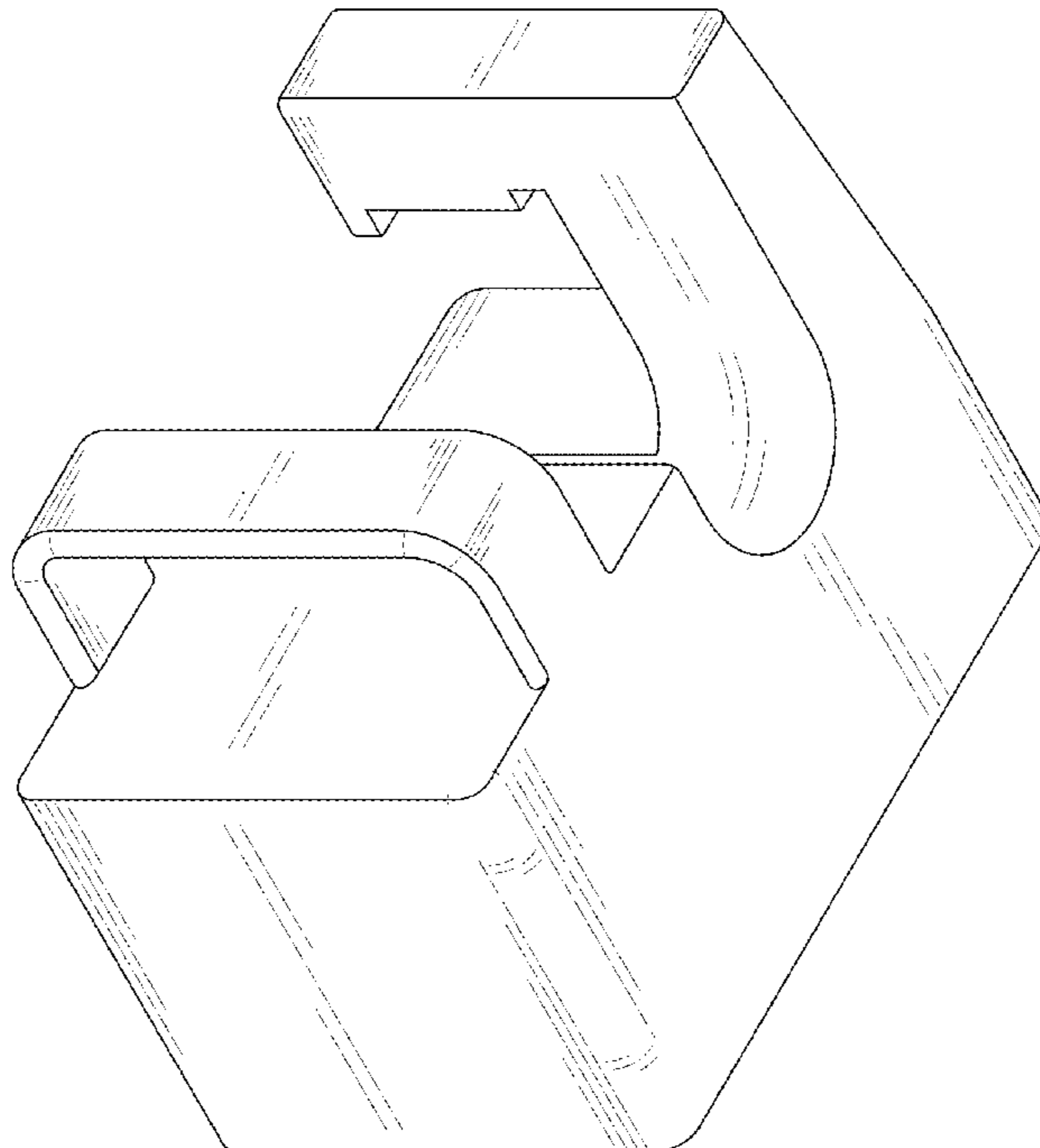
FIG. 9 is a third side view of the garbage can hitch of FIG. 1;

FIG. 10 is a fourth side view of the garbage can hitch of FIG. 1;

FIG. 11 is a top view of the garbage can hitch of FIG. 1; and,

FIG. 12 is a bottom view of the garbage can hitch of FIG. 1.

1 Claim, 12 Drawing Sheets



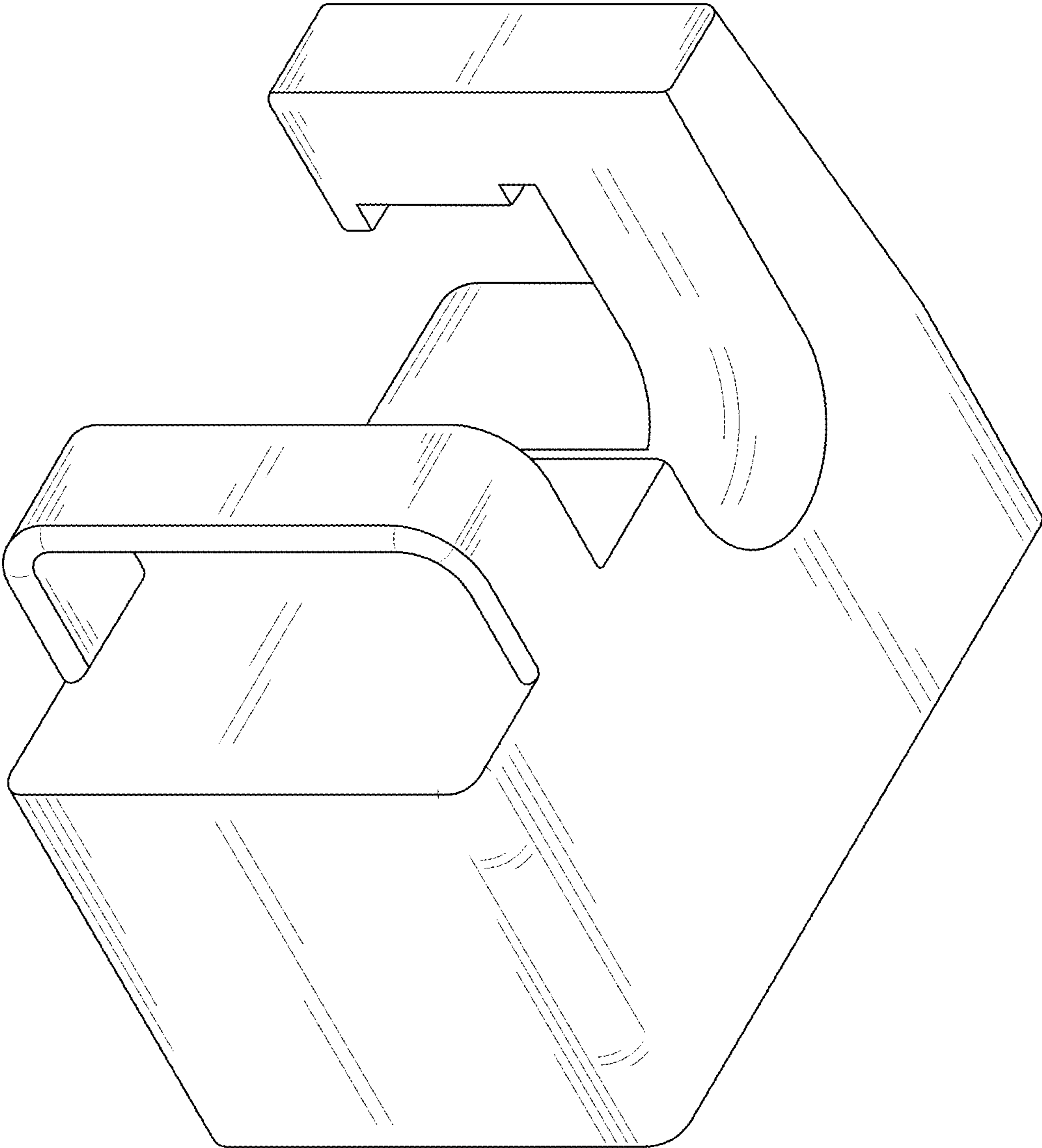


FIG. 1

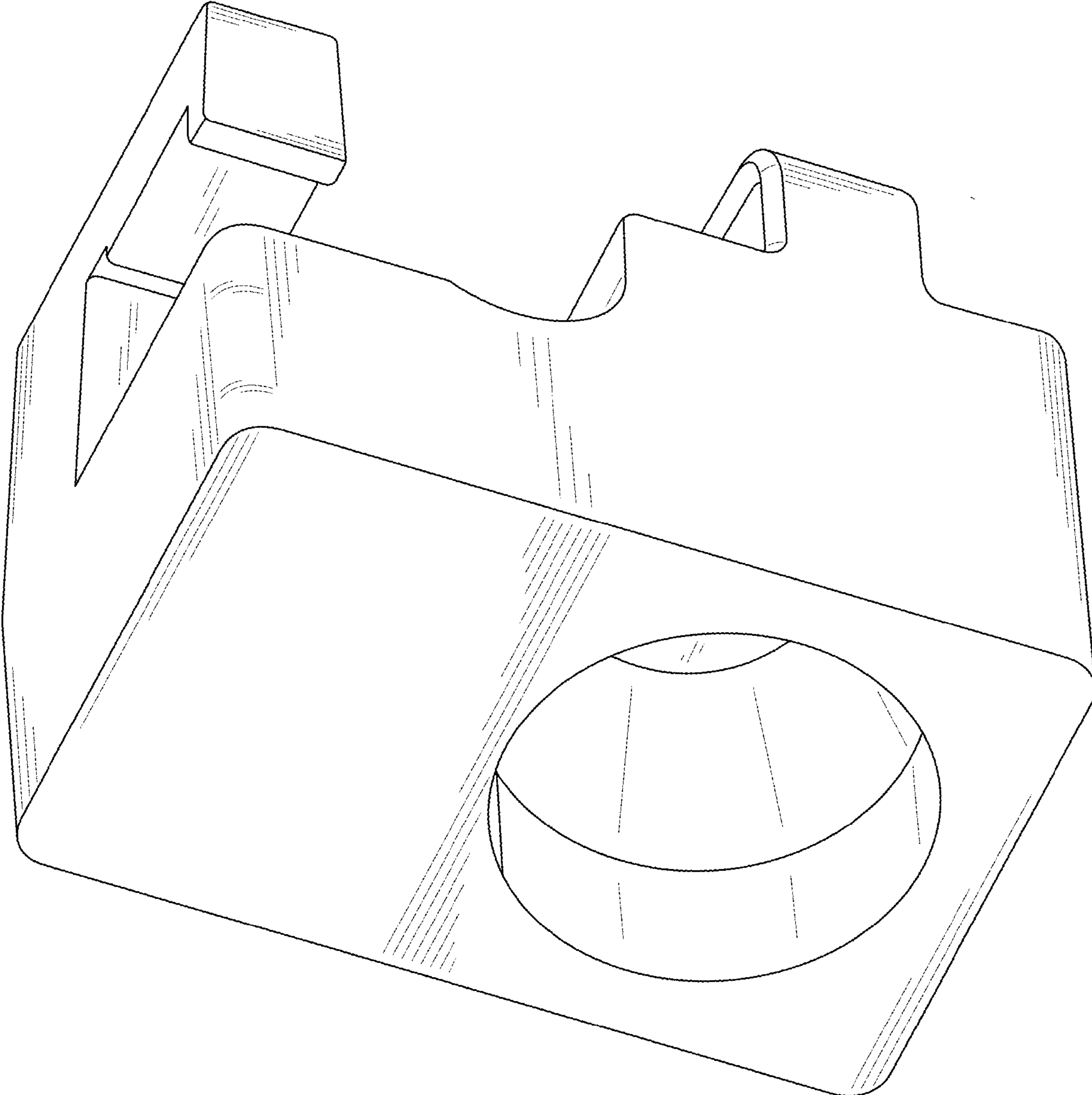


FIG. 2

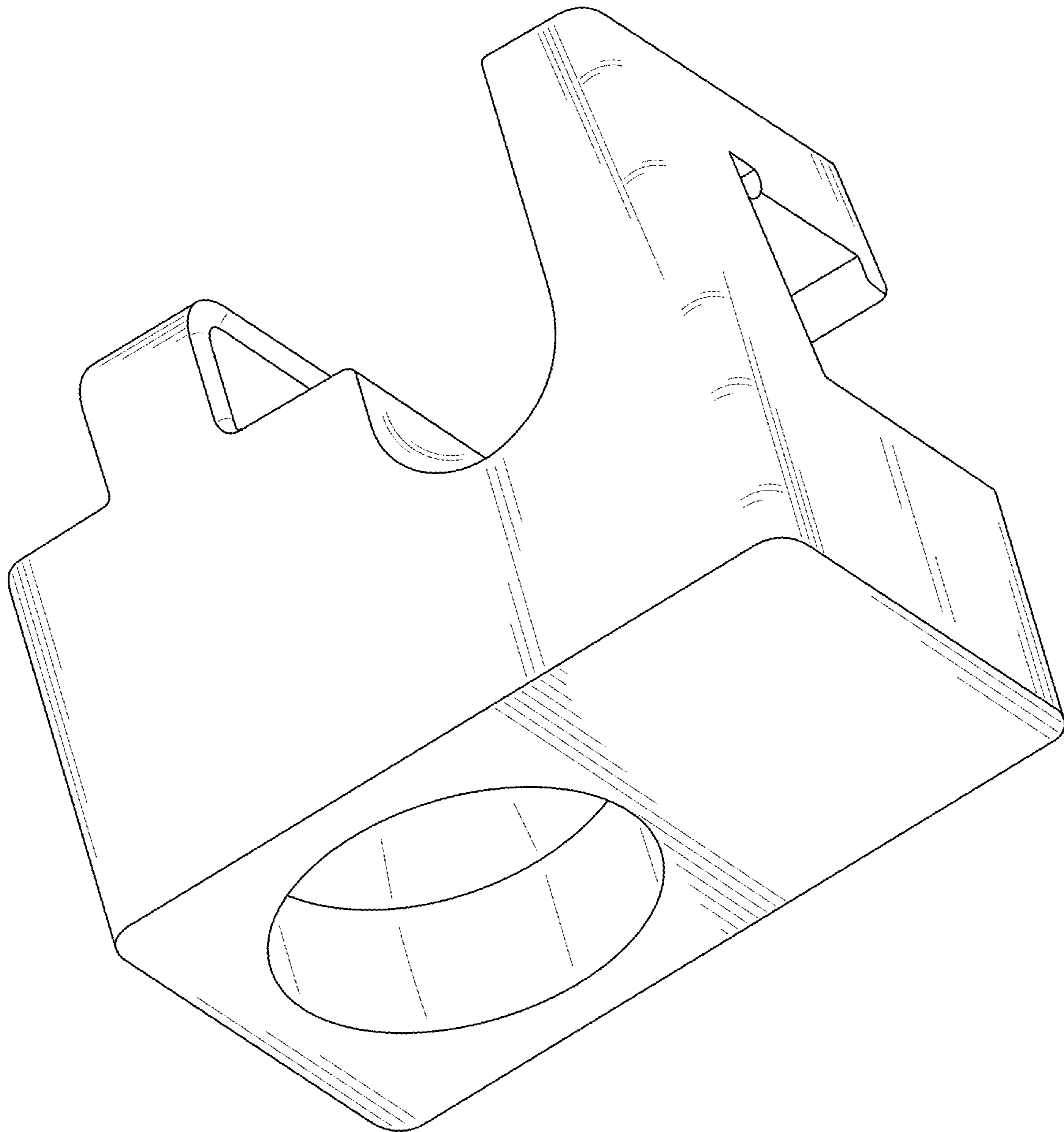


FIG. 3

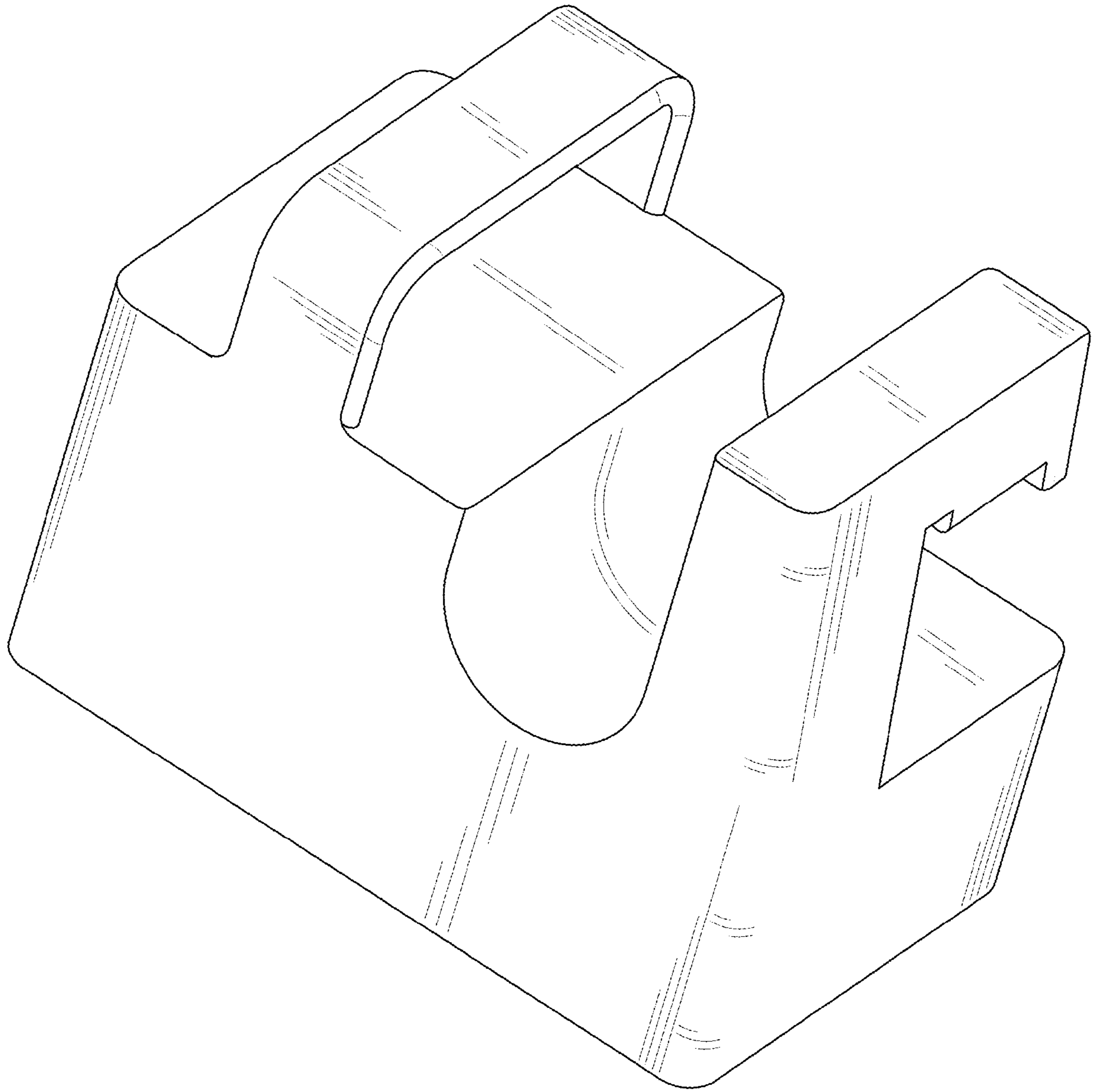


FIG. 4

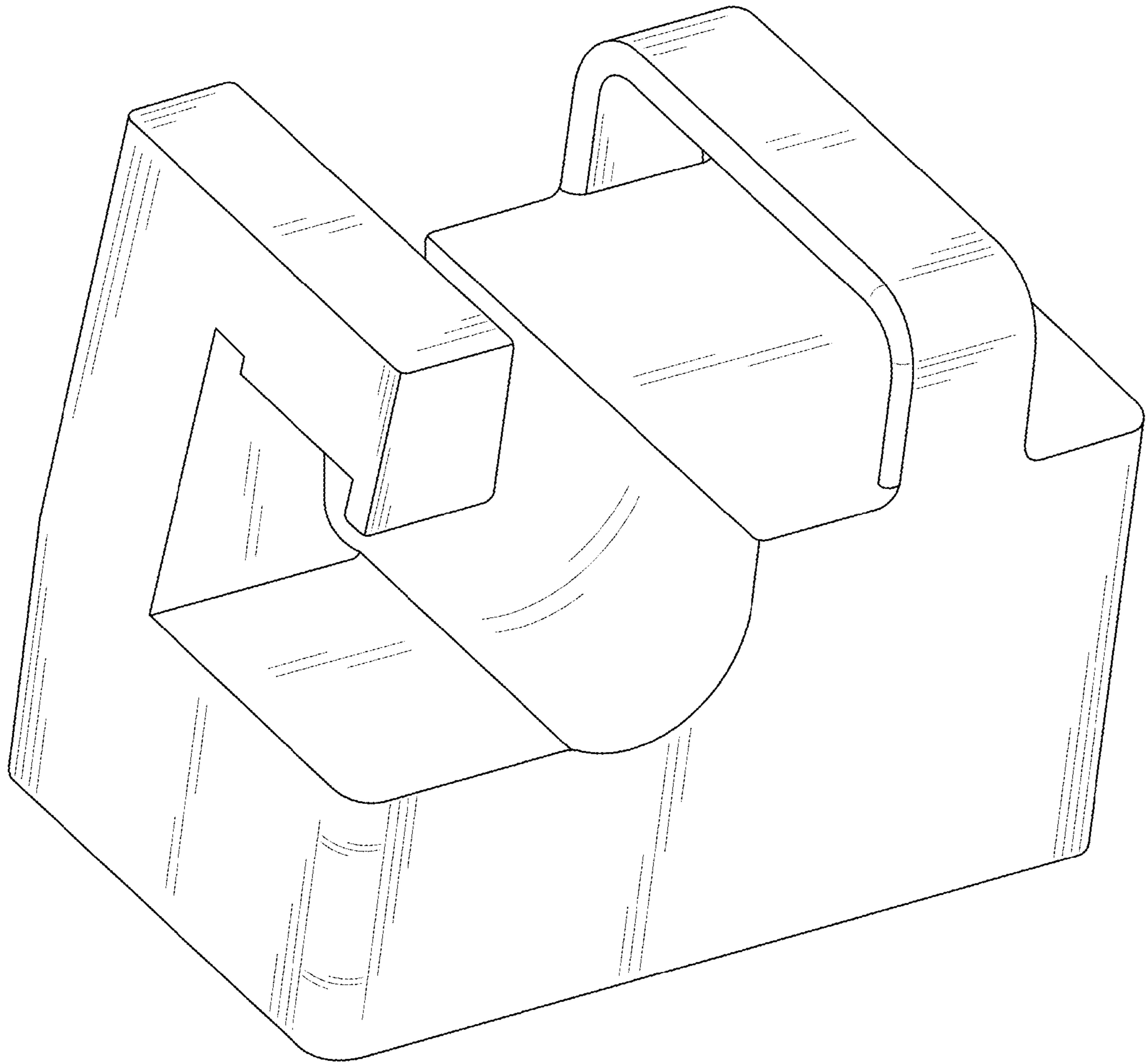


FIG. 5

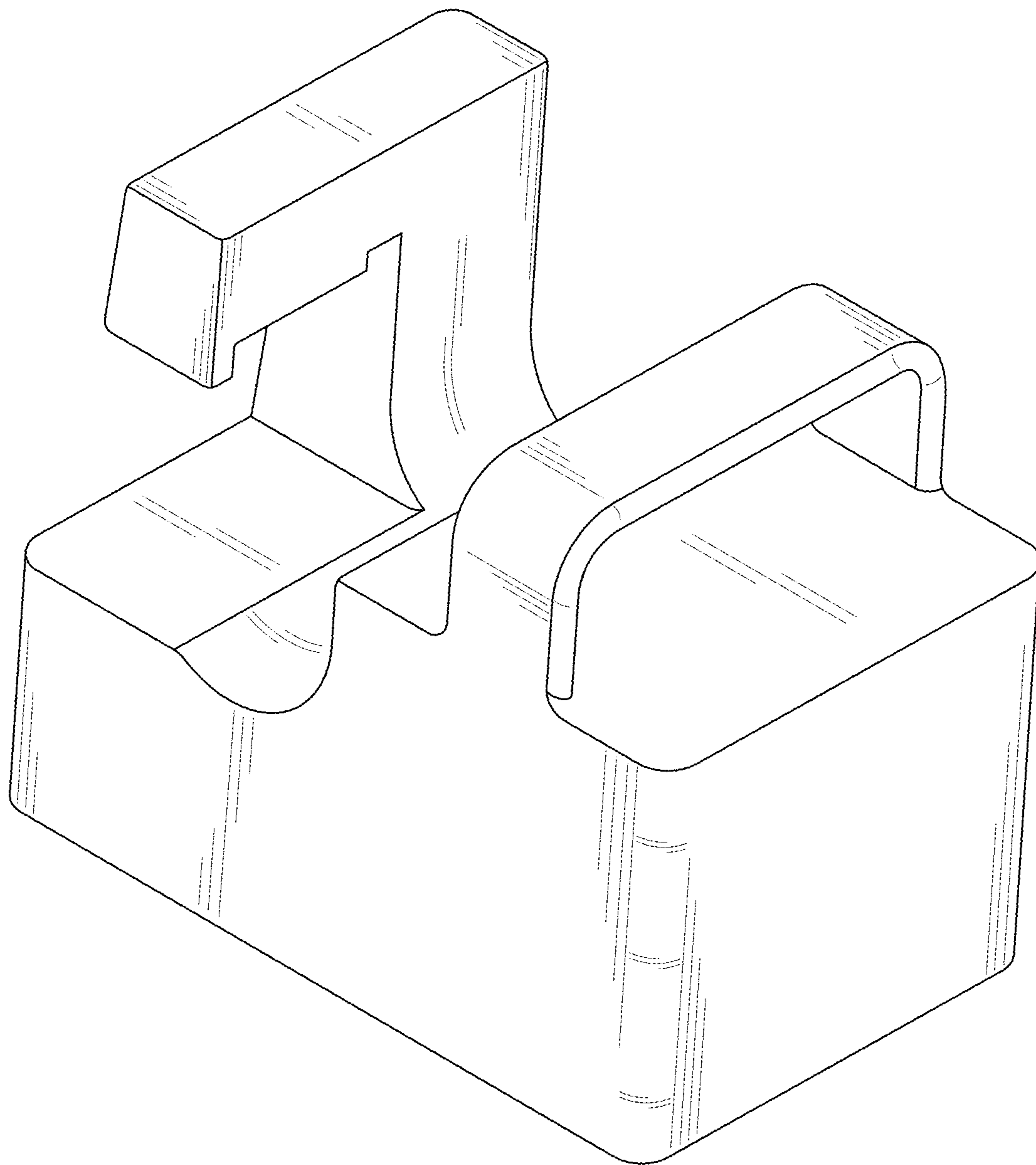


FIG. 6

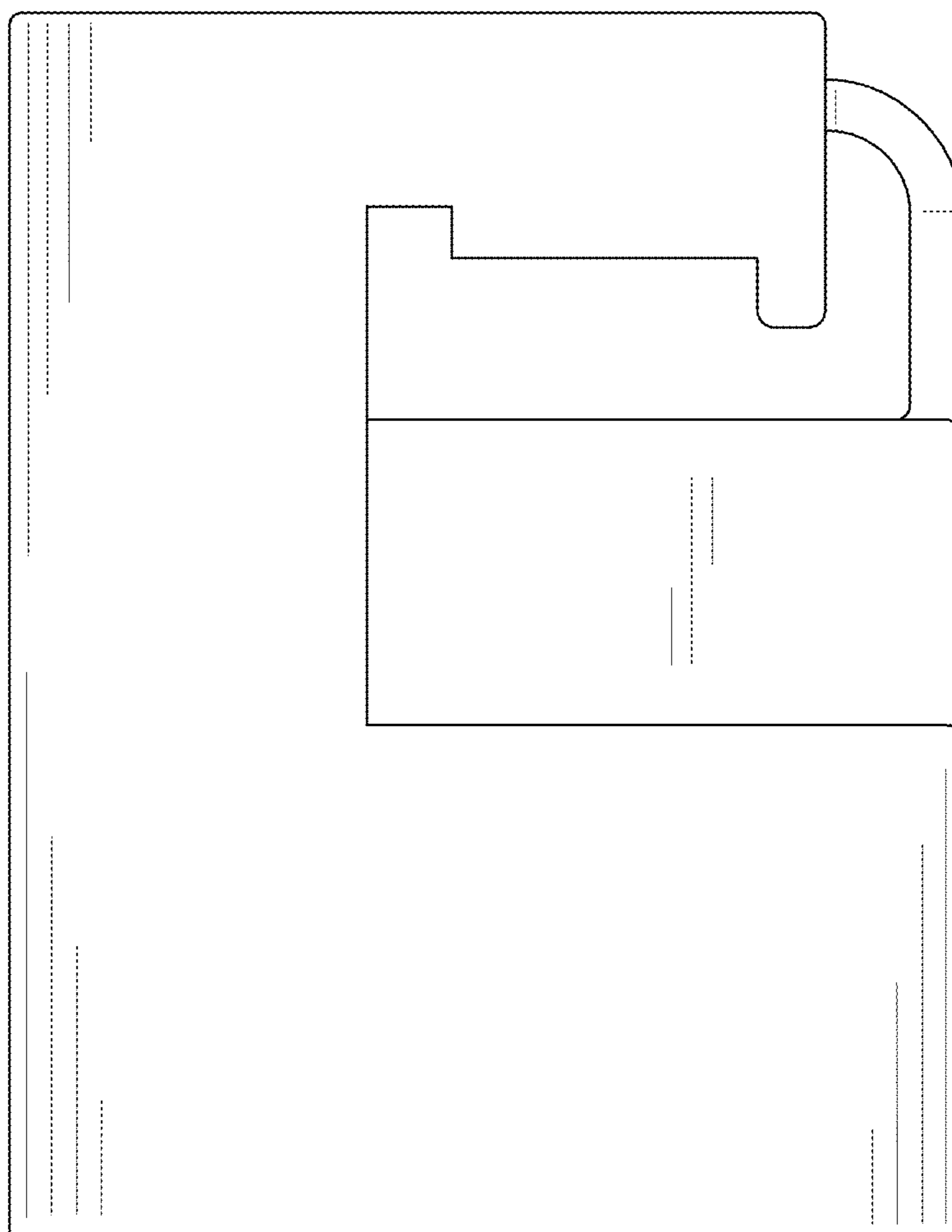


FIG. 7

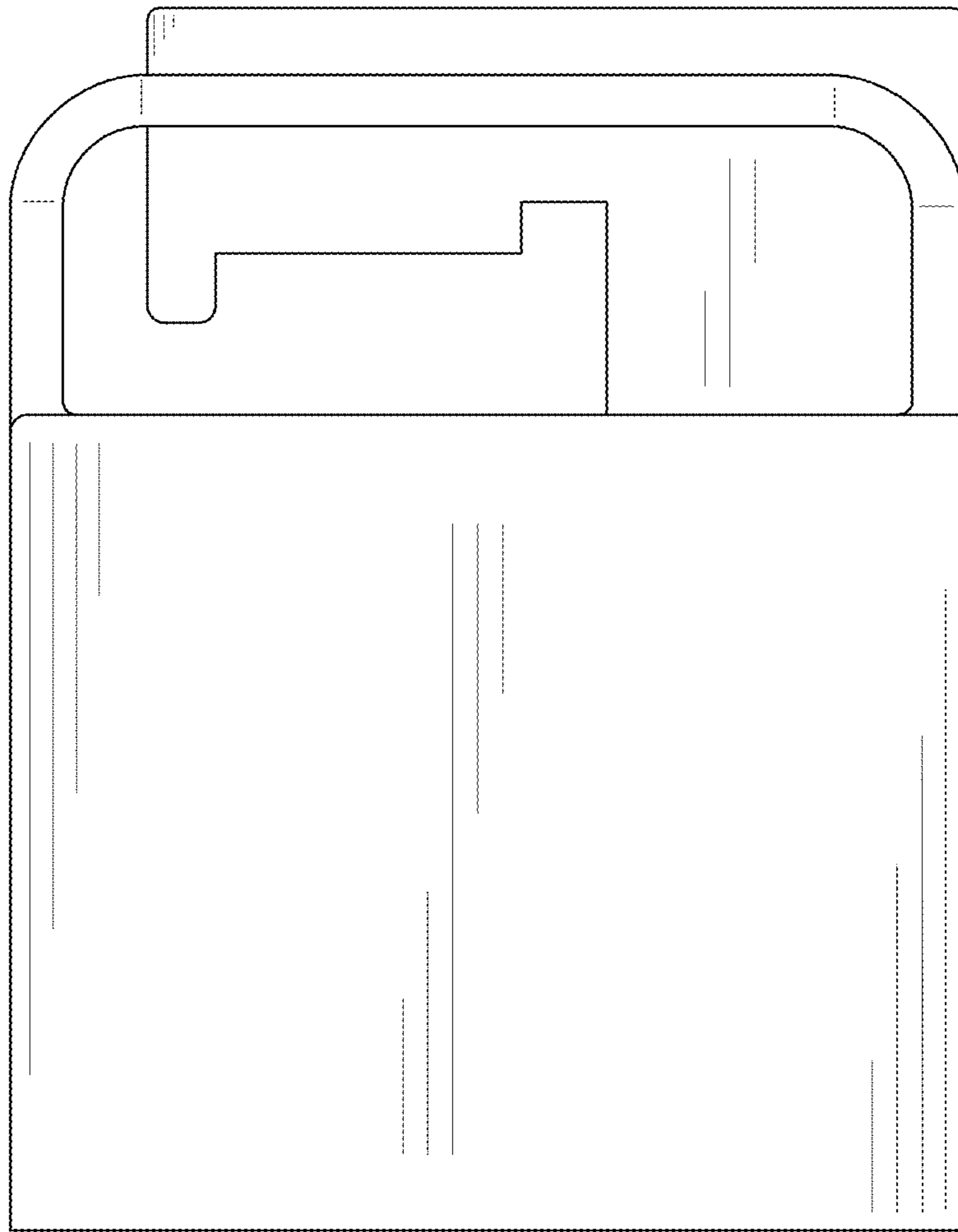


FIG. 8

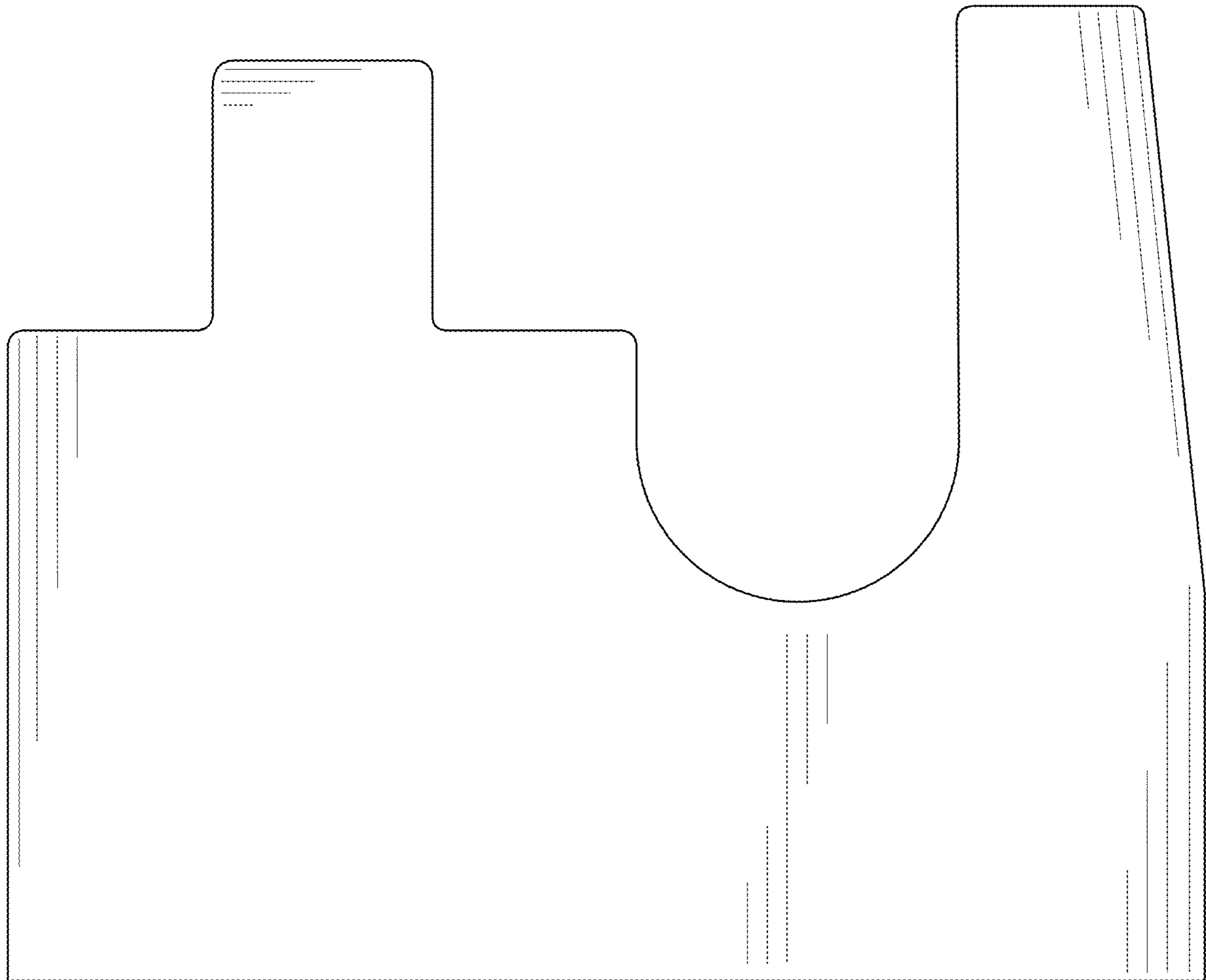


FIG. 9

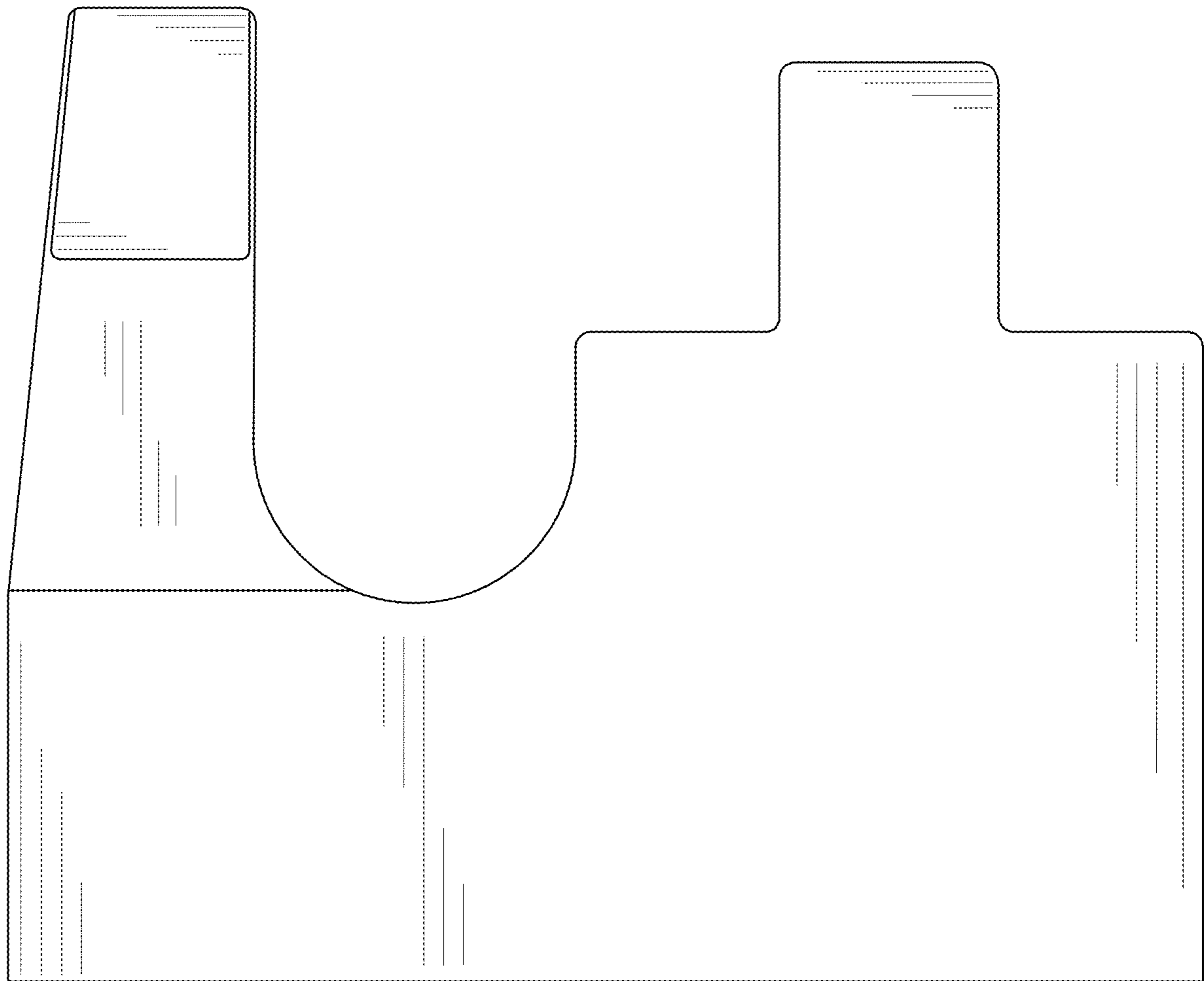


FIG. 10

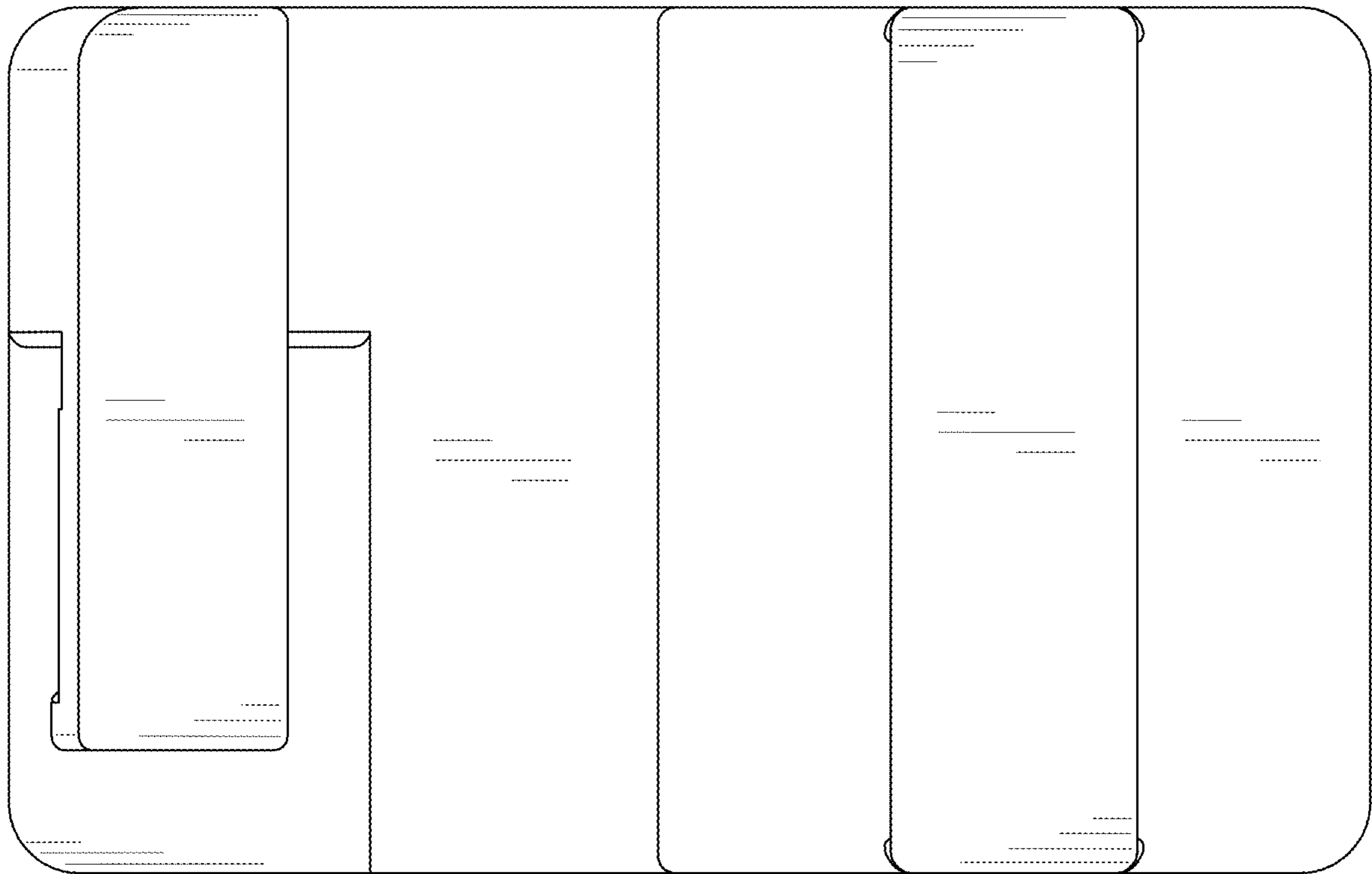


FIG. 11

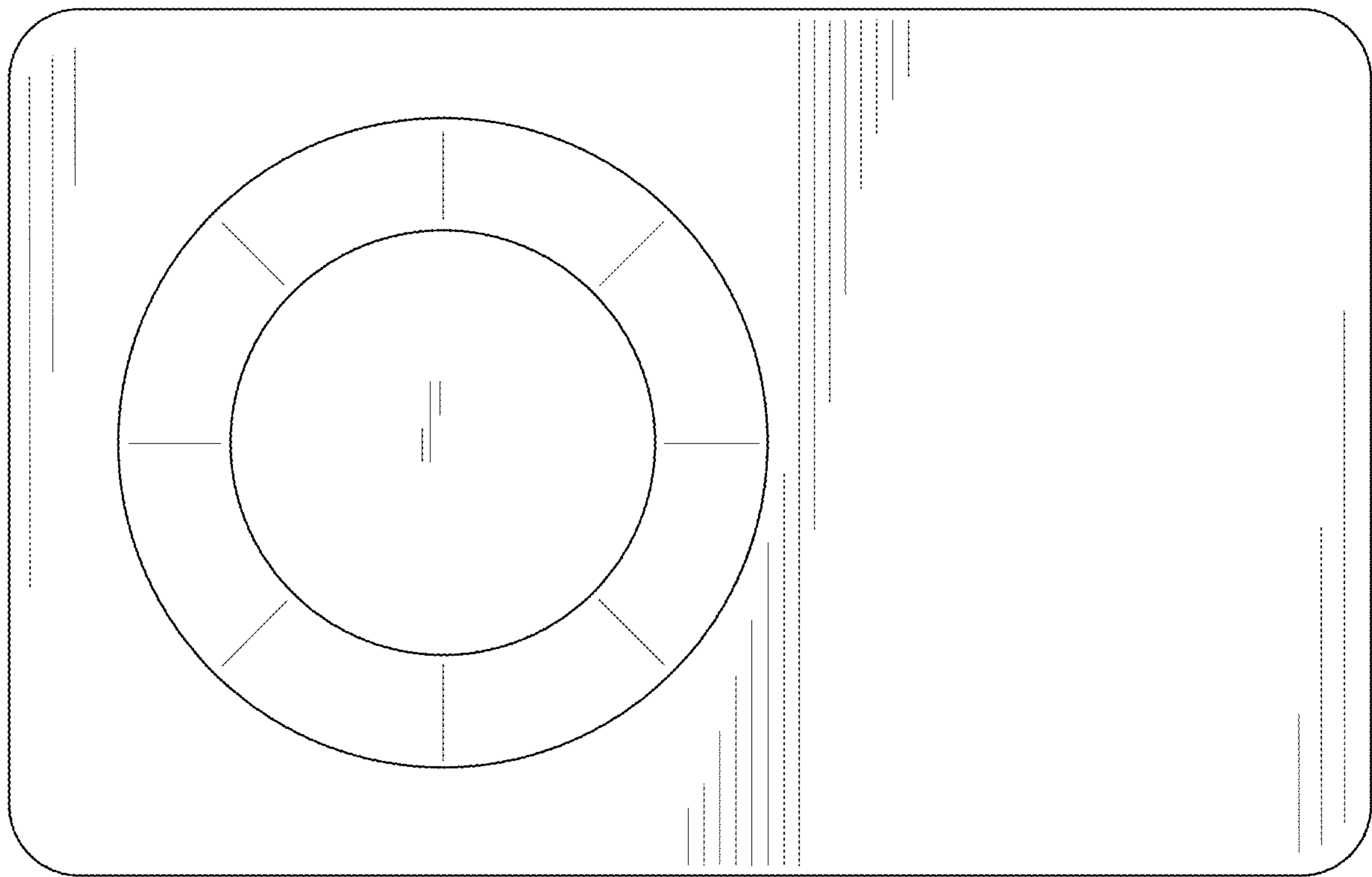


FIG. 12