



US00D915713S

(12) **United States Design Patent** (10) **Patent No.:** **US D915,713 S**
Chen (45) **Date of Patent:** **** Apr. 6, 2021**

(54) **TRASH CAN**
(71) Applicant: **EKO DEVELOPMENT LTD.,**
Guangzhou (CN)
(72) Inventor: **Yizhi Chen,** Guangzhou (CN)
(73) Assignee: **EKO Development Limited,**
Guangzhou (CN)

D513,103 S 12/2005 Lin
6,981,606 B2 1/2006 Yang et al.
D517,767 S 3/2006 Yang et al.
D527,155 S 8/2006 Fankhauser
D533,703 S 12/2006 Lin
D535,800 S 1/2007 Yang et al.
D537,223 S 2/2007 Lin
D537,599 S 2/2007 Lin
D537,601 S 2/2007 Lin

(Continued)

(**) Term: **15 Years**

OTHER PUBLICATIONS

(21) Appl. No.: **29/726,632**

(22) Filed: **Mar. 4, 2020**

(51) **LOC (13) Cl.** **09-09**

(52) **U.S. Cl.**
USPC **D34/9**

(58) **Field of Classification Search**
USPC D34/1-9
CPC B65F 1/163; B65F 1/1638; B65F 1/062;
B65F 1/1623; B65F 1/004; B65F 1/1473;
B65F 2240/138

See application file for complete search history.

Google search, Feb. 18, 2021, Itouchless softstep3 gallon slim step trash can, www.bhg.com/shop/itouchless-itouchless-softstep-3-gallon-slim-step-trash-can-with-absorb-odor-filter-and-removable-inner-bucket-small-pedal-garbage-bin-for-bathroom-bedroom-and-business-office-cubicle-stainless-steel (Year: 2021).*

(Continued)

Primary Examiner — Cynthia Ramirez
(74) *Attorney, Agent, or Firm* — William H. Dippert;
Laurence A. Greenberg; Werner H. Stemer

(56) **References Cited**

U.S. PATENT DOCUMENTS

D215,617 S 10/1969 Heck
D246,090 S 10/1977 Gault
D250,744 S 1/1979 Morin
D333,542 S 2/1993 McKenzie
D335,562 S 5/1993 Evans
5,242,074 A 9/1993 Conaway et al.
D342,817 S 12/1993 Lippisch et al.
D343,709 S 1/1994 Doty et al.
5,531,348 A 7/1996 Baker et al.
D380,613 S 7/1997 Apps et al.
D437,384 S 2/2001 Fletcher et al.
6,345,725 B1 2/2002 Lin
D472,357 S 3/2003 Stewart
D472,688 S 4/2003 Lin
D482,169 S 11/2003 Lin
D488,903 S 4/2004 Yang et al.

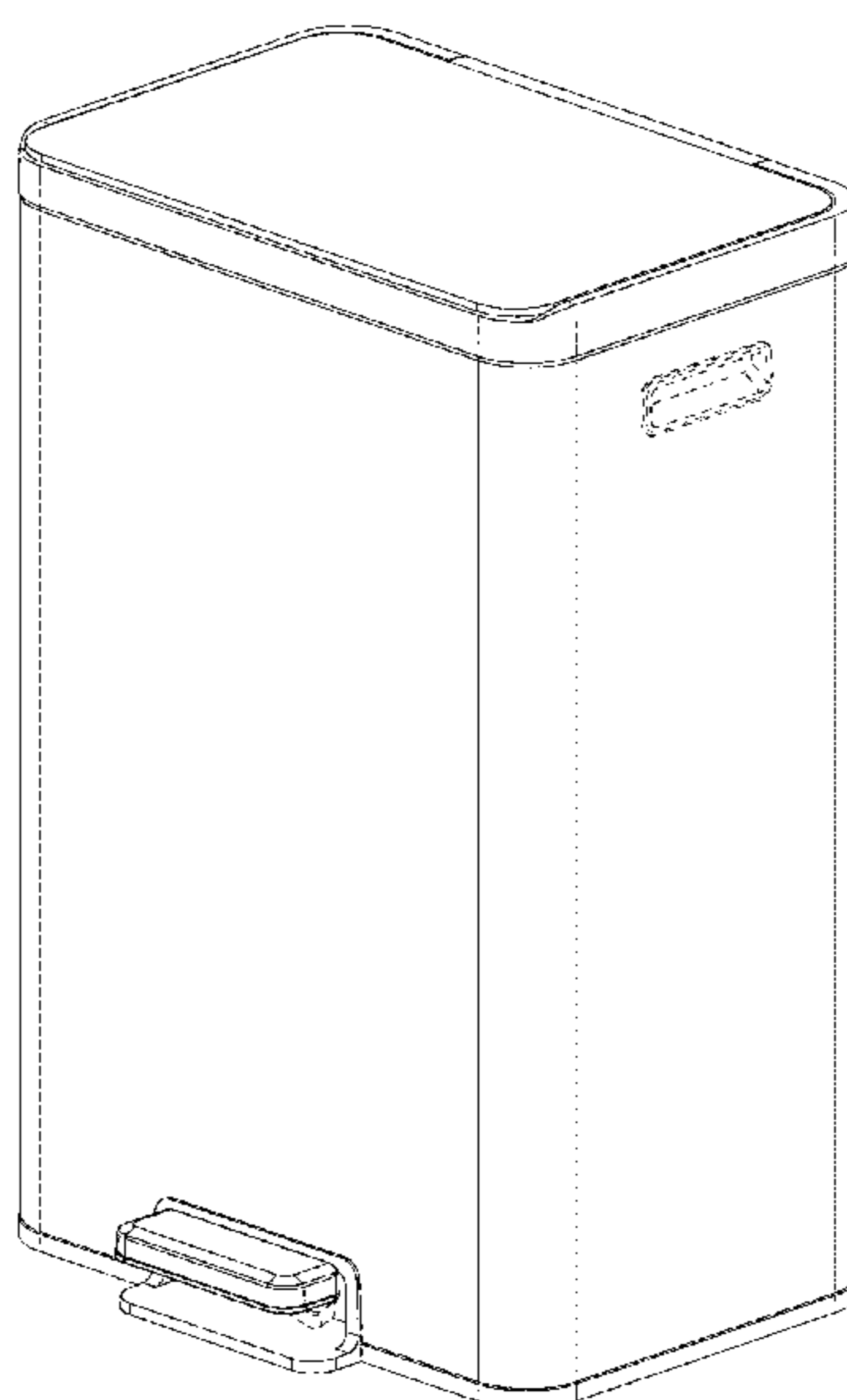
(57) **CLAIM**

The ornamental design for a trash can, as shown and described.

DESCRIPTION

FIG. 1 is a perspective view of a trash can, showing my new design.
FIG. 2 is a top plan view thereof.
FIG. 3 is a rear elevation view thereof.
FIG. 4 is a left-side elevation view thereof.
FIG. 5 is a front elevation view thereof.
FIG. 6 is a bottom plan view thereof; and,
FIG. 7 is a right-side elevation view thereof.
The broken lines in the drawings represent portions of the trash can that are for illustrative purposes only and do not form a part of the claimed design.

1 Claim, 7 Drawing Sheets



(56)

References Cited

U.S. PATENT DOCUMENTS

D538,000 S 3/2007 Lin
 D540,501 S 4/2007 Wang
 D543,673 S 5/2007 Yang et al.
 D544,671 S 6/2007 Saunders et al.
 D547,917 S 7/2007 Yang et al.
 D552,321 S 10/2007 Yang et al.
 D555,318 S 11/2007 Lin
 D555,320 S 11/2007 Yang et al.
 D561,969 S 2/2008 Lin
 D561,971 S 2/2008 Lin
 D566,367 S 4/2008 Lin
 D566,923 S 4/2008 Lin
 D567,468 S 4/2008 Yang et al.
 D568,570 S 5/2008 Lin
 D568,571 S 5/2008 Lin
 D571,520 S 6/2008 Lin
 D572,423 S 7/2008 Lin
 D580,120 S 11/2008 Lin
 D580,613 S 11/2008 Yang et al.
 D580,615 S 11/2008 Yang et al.
 D591,471 S 4/2009 Lee
 D593,271 S 5/2009 Yang et al.
 D593,796 S 6/2009 Kevan
 D595,917 S 7/2009 Liao
 7,559,433 B2 7/2009 Yang et al.
 D620,667 S 7/2010 Liao
 D620,668 S 7/2010 Liao
 D627,533 S 11/2010 Yang et al.
 D631,221 S 1/2011 Yang et al.
 D634,911 S 3/2011 Yang et al.
 D644,390 S 8/2011 Smeets et al.
 D644,806 S 9/2011 Yang et al.
 8,074,824 B1 12/2011 Roby-Wilson
 8,074,833 B2 12/2011 Yang et al.
 D655,061 S 2/2012 Scaturro
 D657,108 S 4/2012 Yang et al.
 D657,109 S 4/2012 Liao
 D675,802 S 2/2013 Yang et al.
 D675,803 S 2/2013 Yang et al.
 D709,662 S 7/2014 Yang et al.
 8,820,566 B2 9/2014 Ude
 D719,313 S 12/2014 Kao
 D720,513 S 12/2014 Yang et al.
 D725,861 S 3/2015 Yang et al.
 D727,583 S 4/2015 Yang et al.
 D730,007 S 5/2015 Machen
 D730,008 S 5/2015 Yang et al.
 D734,912 S 7/2015 Ho et al.
 D739,109 S 9/2015 Becham et al.
 D743,138 S 11/2015 Sun Ting Kung et al.
 D754,413 S 4/2016 Wall
 D759,934 S 6/2016 Yang et al.
 D762,037 S 7/2016 Chen
 D765,937 S 9/2016 Chen
 D769,564 S 10/2016 Chen
 D771,344 S 11/2016 Yang et al.
 D773,145 S 11/2016 Yang et al.
 D773,769 S 12/2016 Chen
 D787,828 S 5/2017 Thoma et al.
 D790,145 S 6/2017 Chen

D793,022 S 7/2017 Liao
 D793,642 S 8/2017 Yang et al.
 D796,766 S 9/2017 Chen
 D796,767 S 9/2017 Chen
 D798,016 S 9/2017 Yang et al.
 D804,133 S 11/2017 Yang et al.
 D809,729 S 2/2018 Chen
 D813,485 S 3/2018 Liao
 D827,968 S 9/2018 Chen
 D829,400 S 9/2018 Yang et al.
 D830,659 S 10/2018 Greenspon et al.
 D831,289 S 10/2018 Greenspon et al.
 D835,374 S 12/2018 Yang et al.
 D836,278 S 12/2018 Berberet et al.
 D837,473 S 1/2019 Magnuson et al.
 D841,275 S 2/2019 Chen
 D842,573 S 3/2019 Smeets
 D845,576 S 4/2019 Lu
 D851,350 S 6/2019 Lu
 D853,064 S 7/2019 Chen
 D853,066 S 7/2019 Liao
 D853,067 S 7/2019 Chen
 D853,068 S 7/2019 Chen
 D855,919 S 8/2019 Yang et al.
 D860,570 S 9/2019 Chen
 D861,277 S * 9/2019 Chen D34/9
 D871,012 S 12/2019 Chen
 D876,040 S * 2/2020 Chen D34/9
 D886,402 S * 6/2020 Chen D34/9
 D906,620 S * 12/2020 Tan D34/8
 D909,002 S * 1/2021 Chang D34/9
 2003/0201267 A1 10/2003 Yang et al.
 2005/0230397 A1 10/2005 Yang et al.
 2007/0090112 A1 4/2007 Kalman et al.
 2007/0205195 A1 9/2007 Yang et al.
 2008/0006638 A1 1/2008 Yang et al.
 2009/0314779 A1 12/2009 Lee
 2011/0017735 A1 1/2011 Wang et al.
 2011/0049149 A1 3/2011 Shih
 2011/0139781 A1 6/2011 Jin et al.
 2011/0220648 A1 9/2011 Yang et al.
 2013/0098913 A1 4/2013 Yang et al.
 2013/0105486 A1 5/2013 Mashburn et al.
 2014/0238989 A1 8/2014 Wang et al.

OTHER PUBLICATIONS

Google search, Feb. 18, 2021, Kmart smartbin 1.13 gallon 5l stainless steel wastebasket, www.kmart.com/smartbin-1.3-gallon-5l-stainless-steel-wastebasket/p-A047801743 (Year: 2021).
 Amazon, Feb. 18, 2021, iTouchless Airstep 18 gallon step pedal trash can with absorb X odor, www.amazon.com/iTouchless-SoftStep-Stainless-Bathroom-Kitchen/dp/B07B3RF2WX (Year: 2021).
 Belson Outdoors "Durable Two-Piece Fiberglass Trash Receptacle", <http://www.belson.com/Open-Top-Lift-Off-20-Gallon-Round-Fiberglass-Trash-Can>. Jun. 6, 2017. shown in p. 1, Model FG1829 TPL.
 Amazon "Simplehuman Bullet Open Trash Can", https://www.amazon.com/simplehuman-Bullet-Trash-Commercial-Stainless/dp/B000BHUHP0/ref=cm_cr_arp_d_product_top?ie=UTF8. Apr. 17, 2008. shown in p. 1, Model No. CW1407.

* cited by examiner

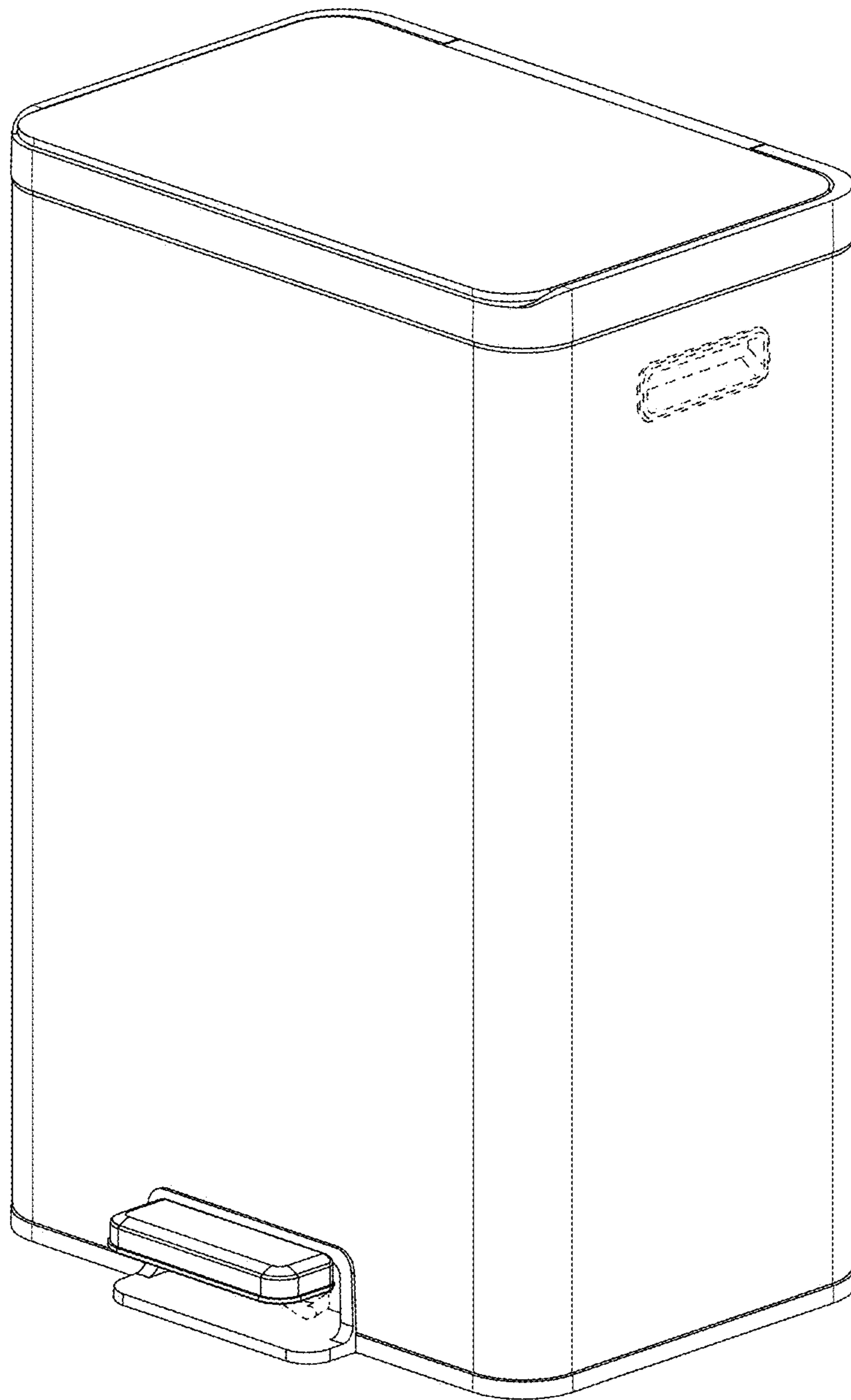


FIG. 1

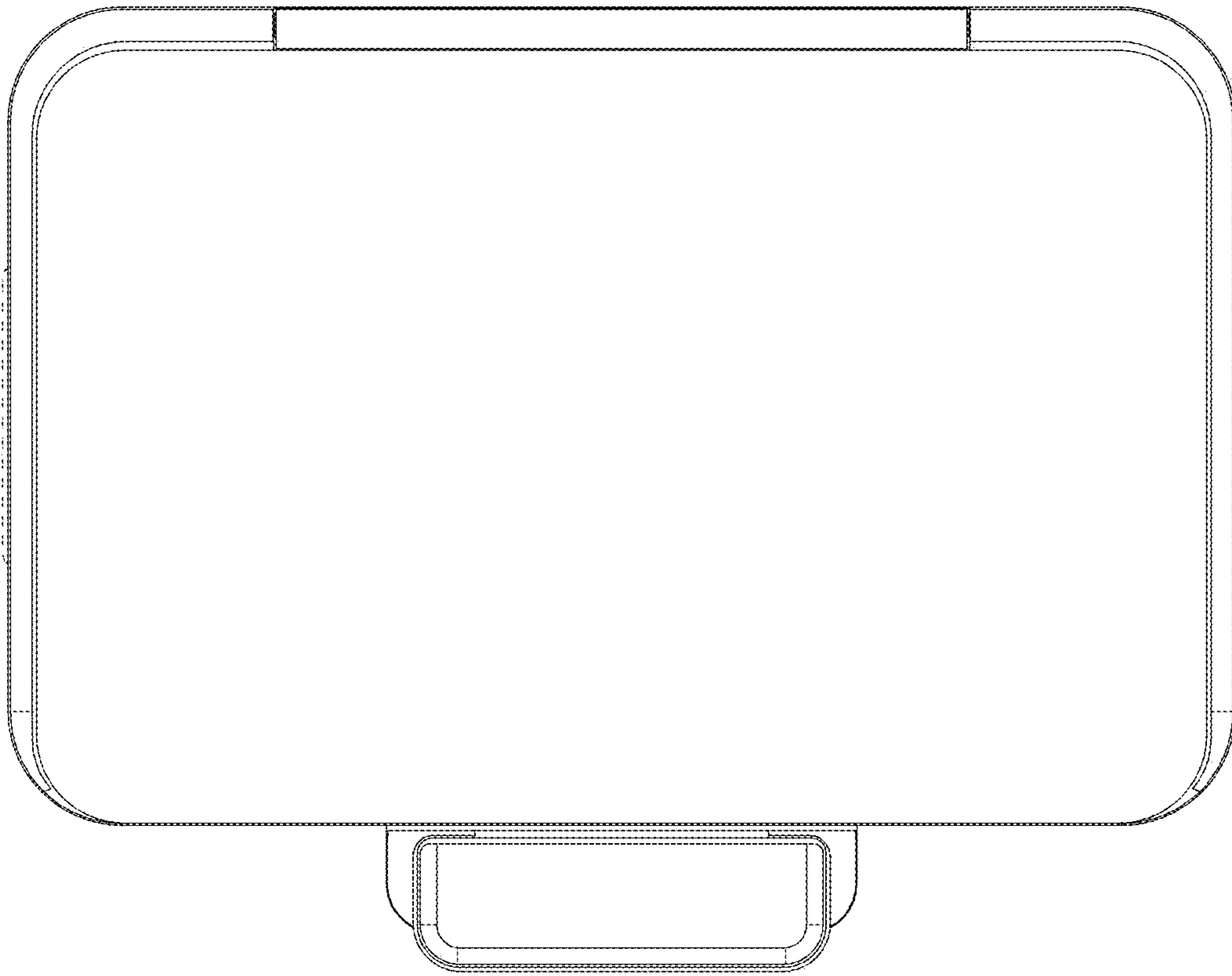


FIG. 2

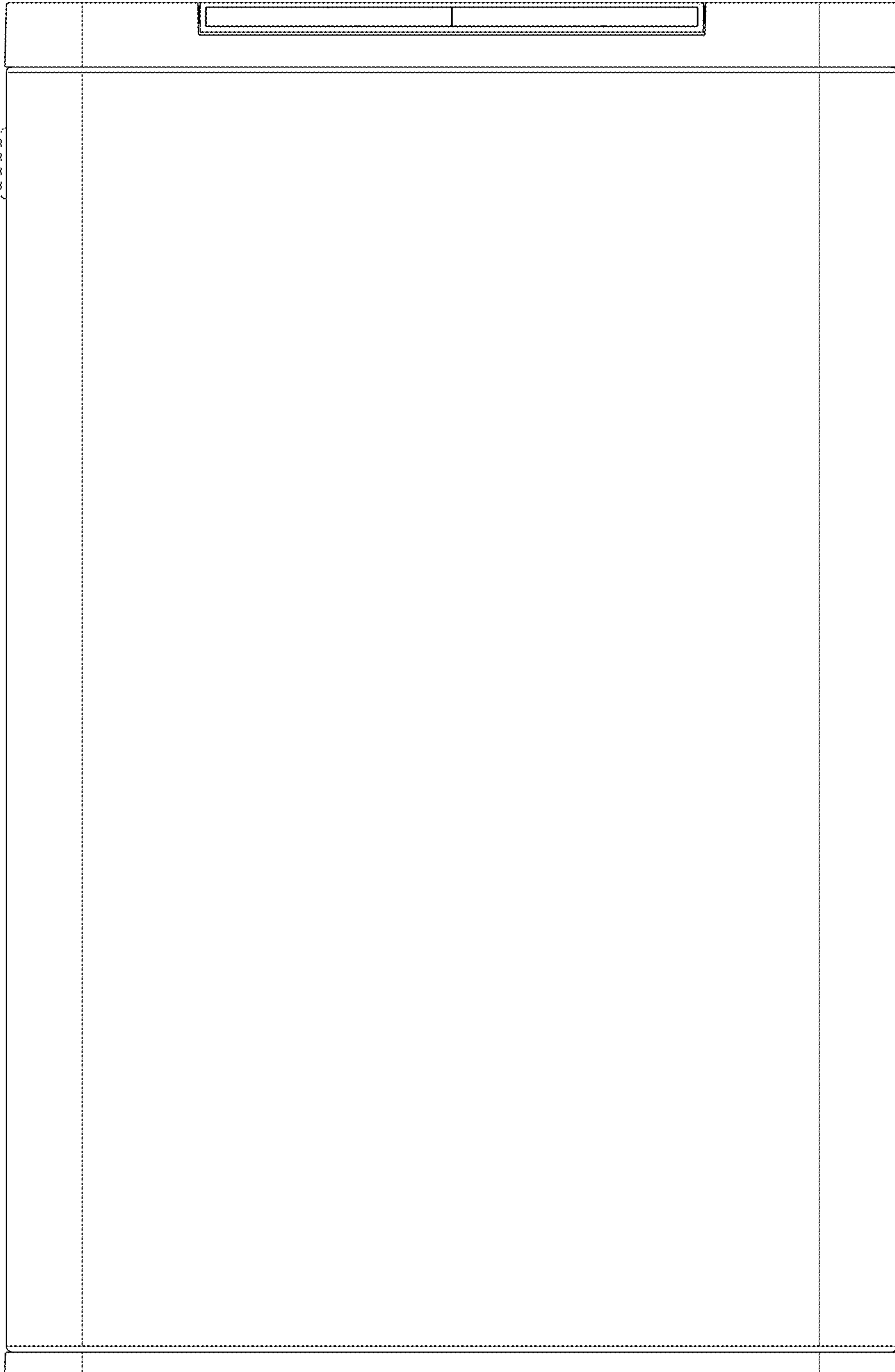


FIG. 3

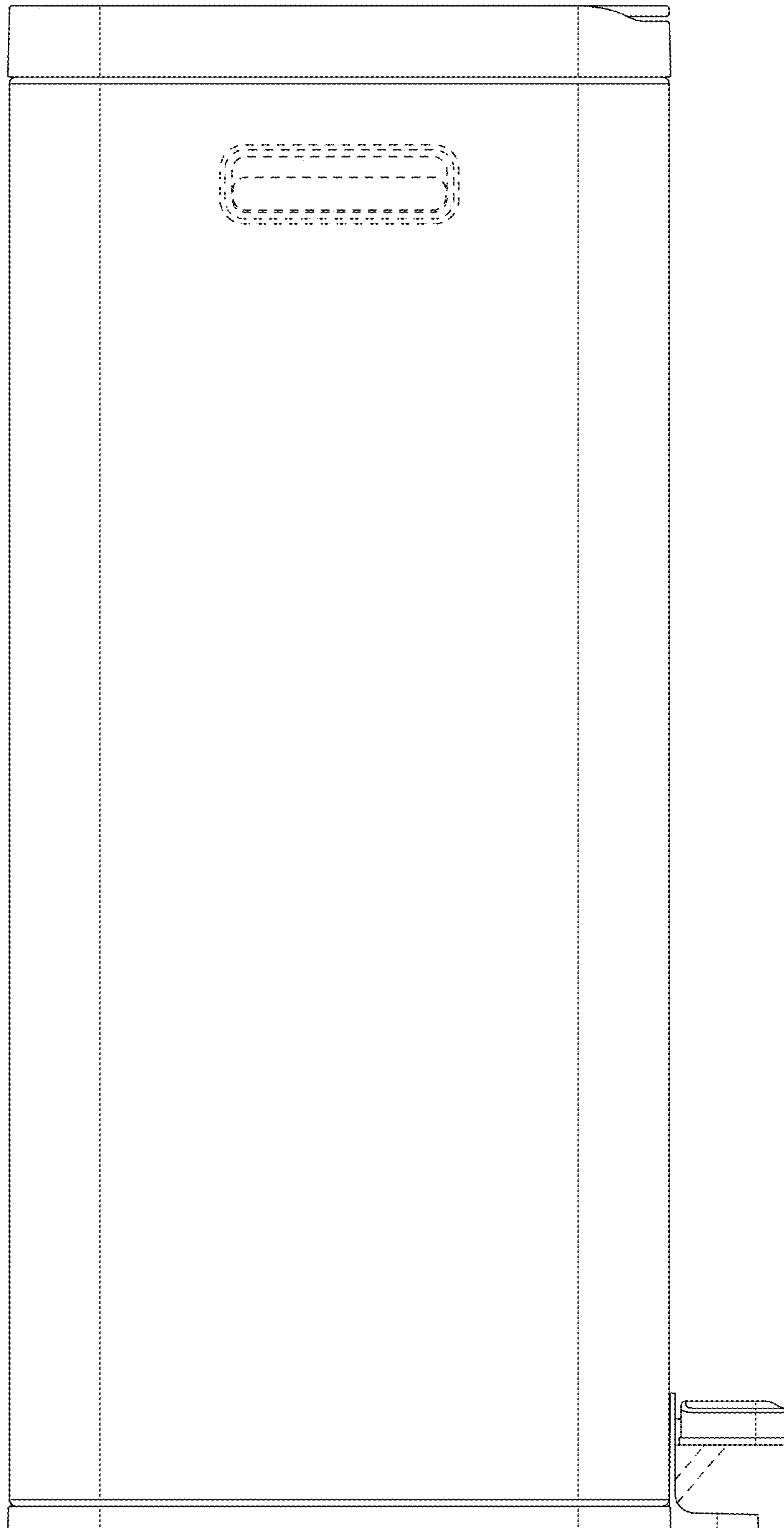


FIG. 4

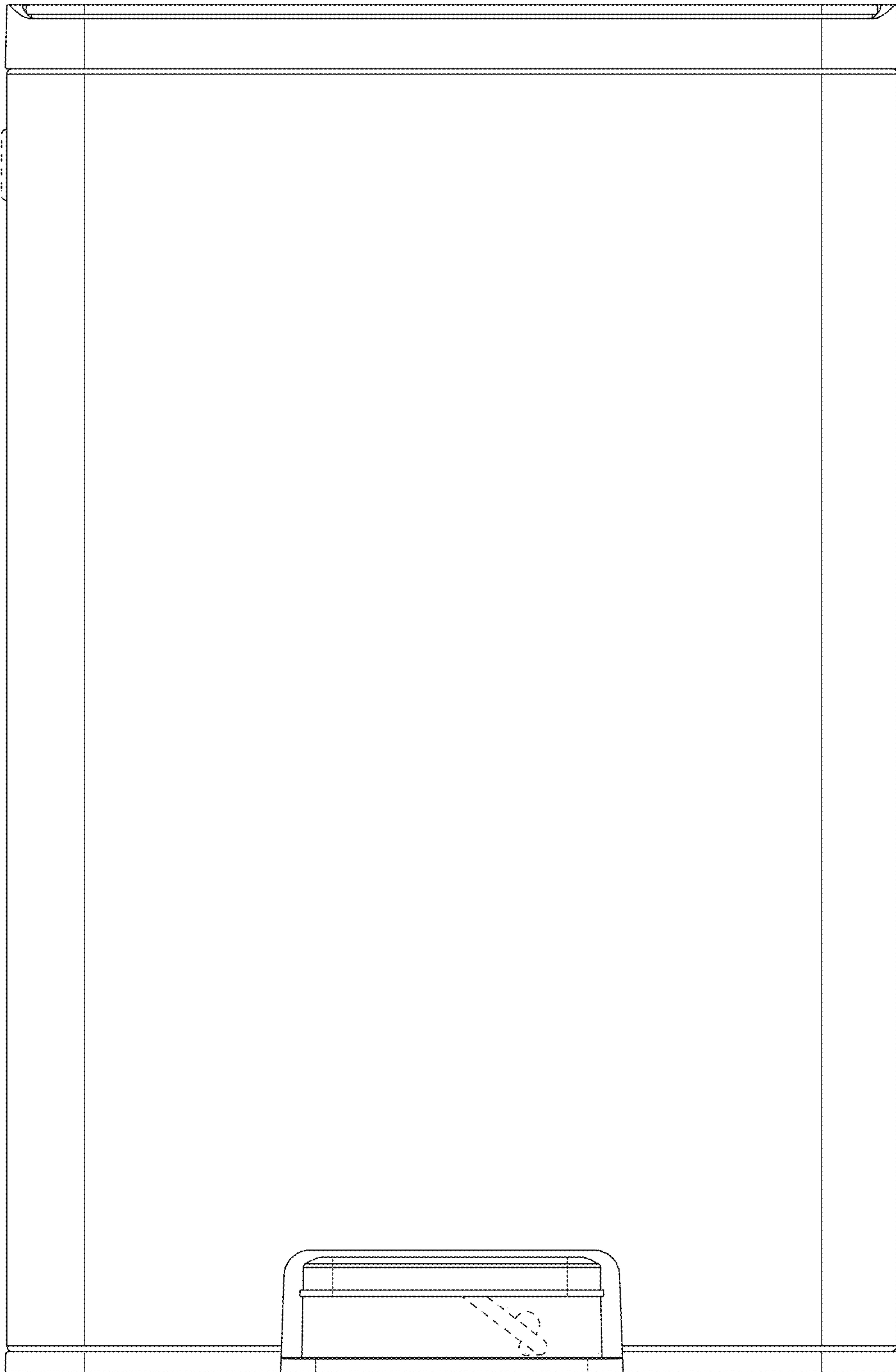


FIG. 5

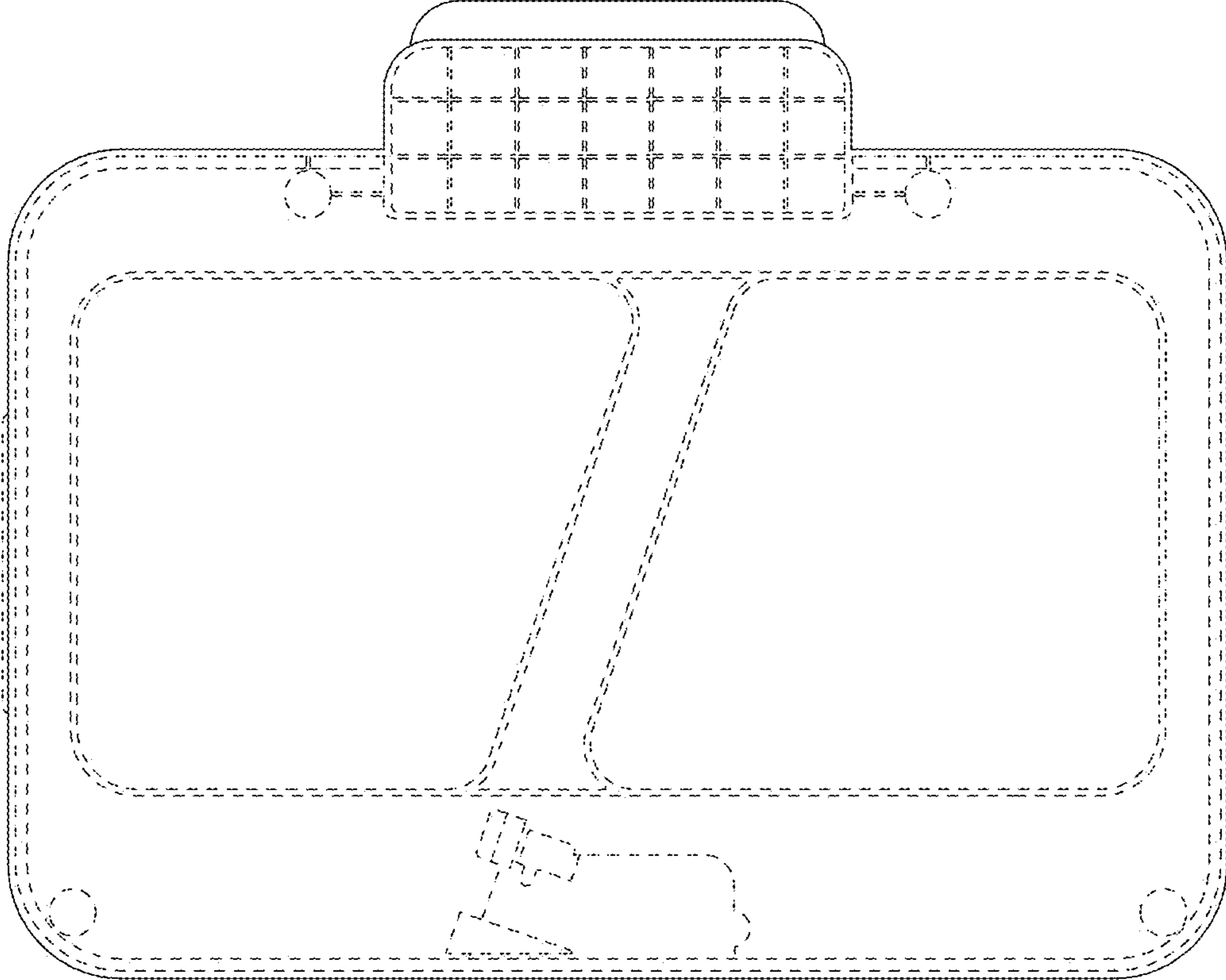


FIG. 6

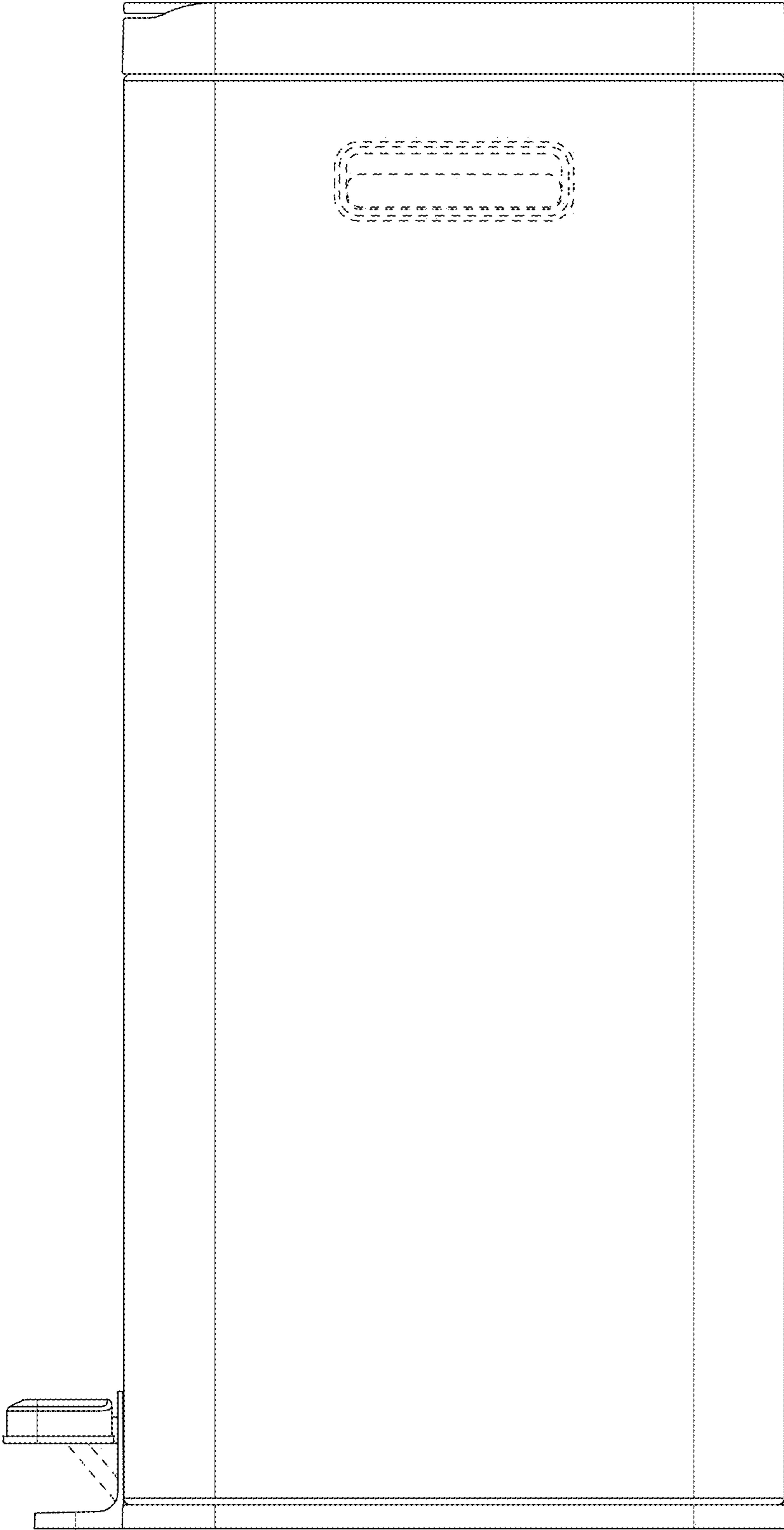


FIG. 7