



US00D915710S

(12) **United States Design Patent** (10) **Patent No.:** **US D915,710 S**
Moser (45) **Date of Patent:** **** Apr. 6, 2021**

(54) **TRASH CONTAINER WITH MESSAGE DISPLAY BOARDS**

(71) Applicant: **Michael E. Moser**, Herculaneum, MO (US)

(72) Inventor: **Michael E. Moser**, Herculaneum, MO (US)

(**) Term: **15 Years**

(21) Appl. No.: **29/706,217**

(22) Filed: **Sep. 18, 2019**

(51) **LOC (13) Cl.** **09-09**

(52) **U.S. Cl.**
USPC **D34/8**

(58) **Field of Classification Search**
USPC D34/1-11; D9/737, 738, 770, 772, 777, D9/778; D7/603, 604, 605, 608
CPC B65F 1/00; B65F 1/163; B65F 1/1638; B65F 1/0033; B65F 1/16; B65F 1/122; B65F 2001/1489; B65F 2240/132; Y10S 220/908; A01K 1/001
See application file for complete search history.

(56) **References Cited**

U.S. PATENT DOCUMENTS

3,793,756 A	2/1974	Kay et al.	
D231,184 S *	4/1974	Brown et al.	D34/5
3,947,985 A	4/1976	Skrzypczak	
D313,491 S *	1/1991	Edelhoff	D34/5
D323,912 S *	2/1992	Delmerico	D34/5
5,372,269 A	12/1994	Sutton et al.	
5,772,063 A	6/1998	Gantz-Bloome	
5,776,405 A *	7/1998	Prout	B29C 41/003 220/675
D471,336 S *	3/2003	Tuduri	D34/5
D522,203 S	5/2006	Lin	
D532,573 S	11/2006	Lin	
D567,466 S	4/2008	Lee	
8,820,567 B2	9/2014	Cutler	
9,371,181 B2 *	6/2016	Connor	B65F 1/1646

D771,893 S *	11/2016	Del Rosario Roy	D34/5
D780,395 S	2/2017	Stravitz	
D796,765 S *	9/2017	Uffner	D34/5
D804,760 S *	12/2017	Stark	D34/6
D840,628 S	2/2019	Chang	
D843,078 S	3/2019	Thitakham	

(Continued)

FOREIGN PATENT DOCUMENTS

EM 000803267-0001 * 10/2007

OTHER PUBLICATIONS

Global Industries, announced 2015 [online], [site visited Sep. 11, 2020]. Available from internet, URL: <https://www.globalindustrial.com/p/janitorial-maintenance/garbage-recycling/containers-mobile/mobile-trash-container-with-lid-32-gallon-gray?> (Year: 2015).*

Primary Examiner — Kevin K Rudzinski
Assistant Examiner — Tamara L Hahn
(74) *Attorney, Agent, or Firm* — Suzanne Kikel, Patent Agent

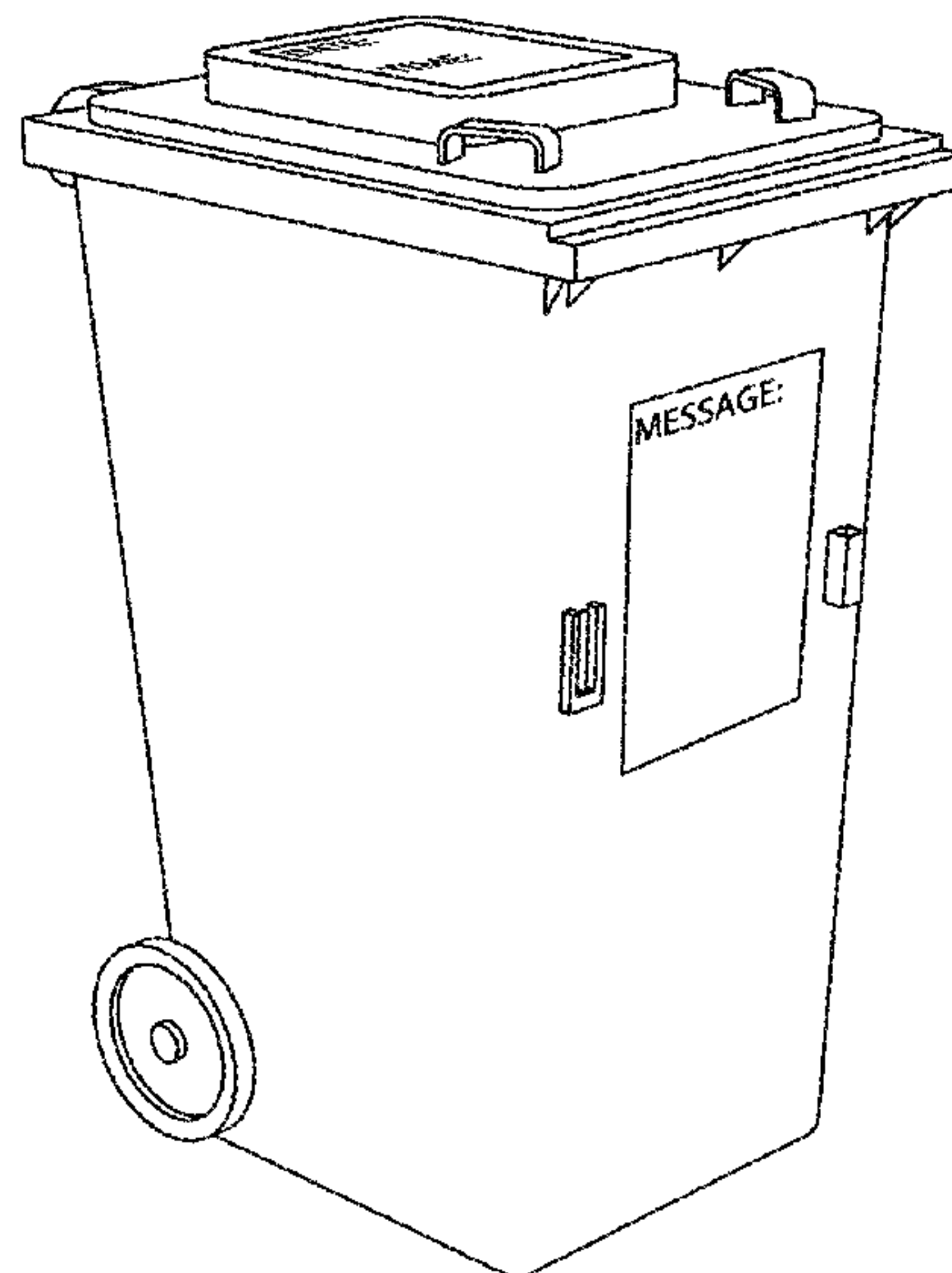
(57) **CLAIM**

The ornamental design for a trash container with message display boards, as shown and described.

DESCRIPTION

FIG. 1 is a front, perspective view of the trash container with message display boards, showing my new design.
FIG. 2 is a front elevational view thereof.
FIG. 3 is a rear elevational view thereof.
FIG. 4 is a left side elevational view thereof.
FIG. 5 is a right side elevational view thereof.
FIG. 6 is a bottom plan view thereof; and,
FIG. 7 is a top plan view thereof.
The broken lines in the drawings depict portions of the trash container with message display boards that form no part of the claimed design.

1 Claim, 4 Drawing Sheets



(56)

References Cited

U.S. PATENT DOCUMENTS

2003/0213808 A1* 11/2003 Berger B65F 1/1473
220/832
2004/0174268 A1 9/2004 Scott et al.
2009/0119962 A1 5/2009 De La Cruz
2013/0048654 A1* 2/2013 Kilduff B65F 1/122
220/694
2014/0367292 A1 12/2014 Bonello et al.
2015/0053684 A1* 2/2015 Nussbaum B65F 1/1615
220/324
2018/0208396 A1* 7/2018 Schoonmaker B65F 1/1615
2019/0112128 A1* 4/2019 DeGeorge B65F 7/00
2019/0300280 A1* 10/2019 Peek B65F 1/1473

* cited by examiner

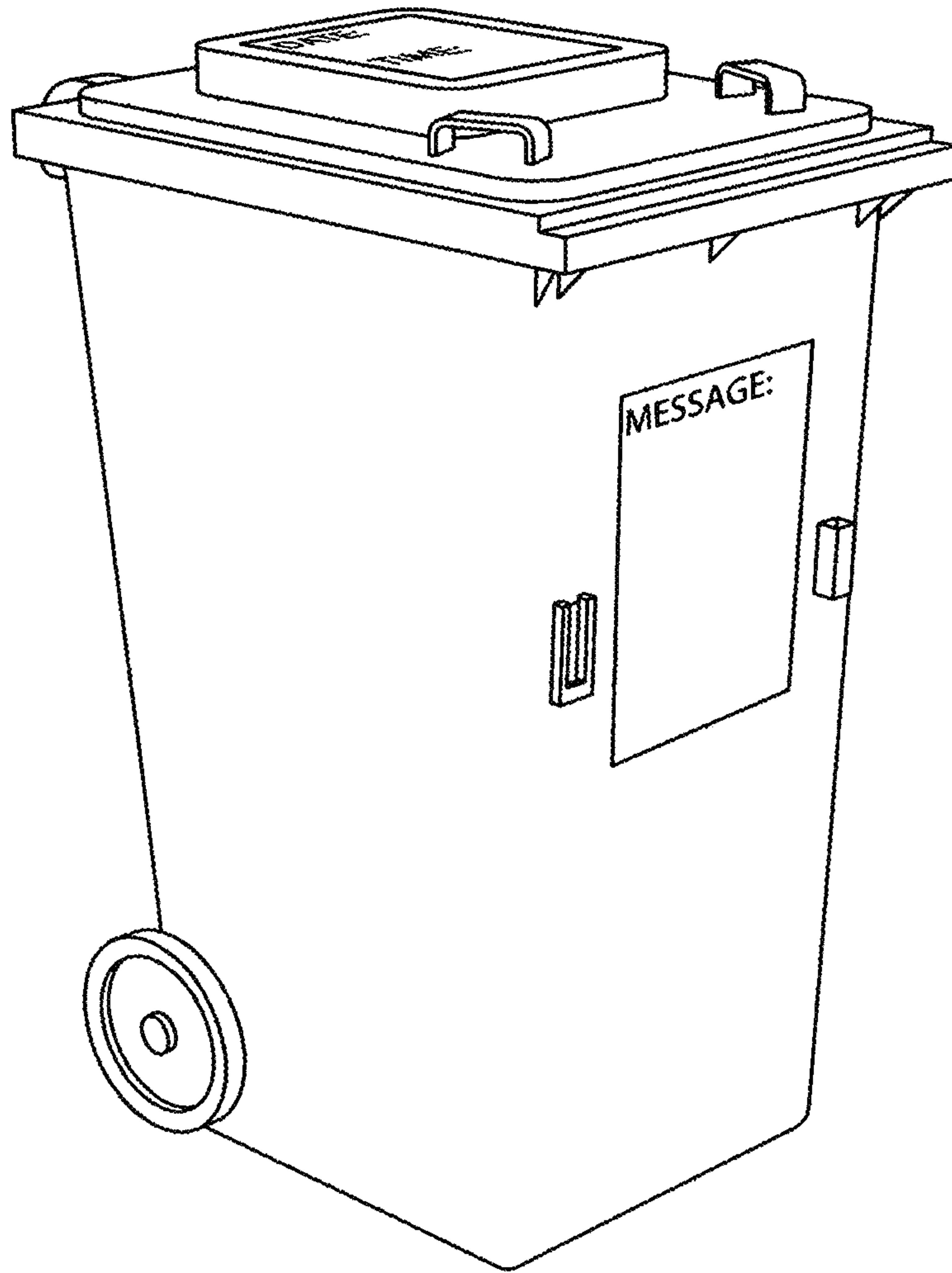


FIG. 1

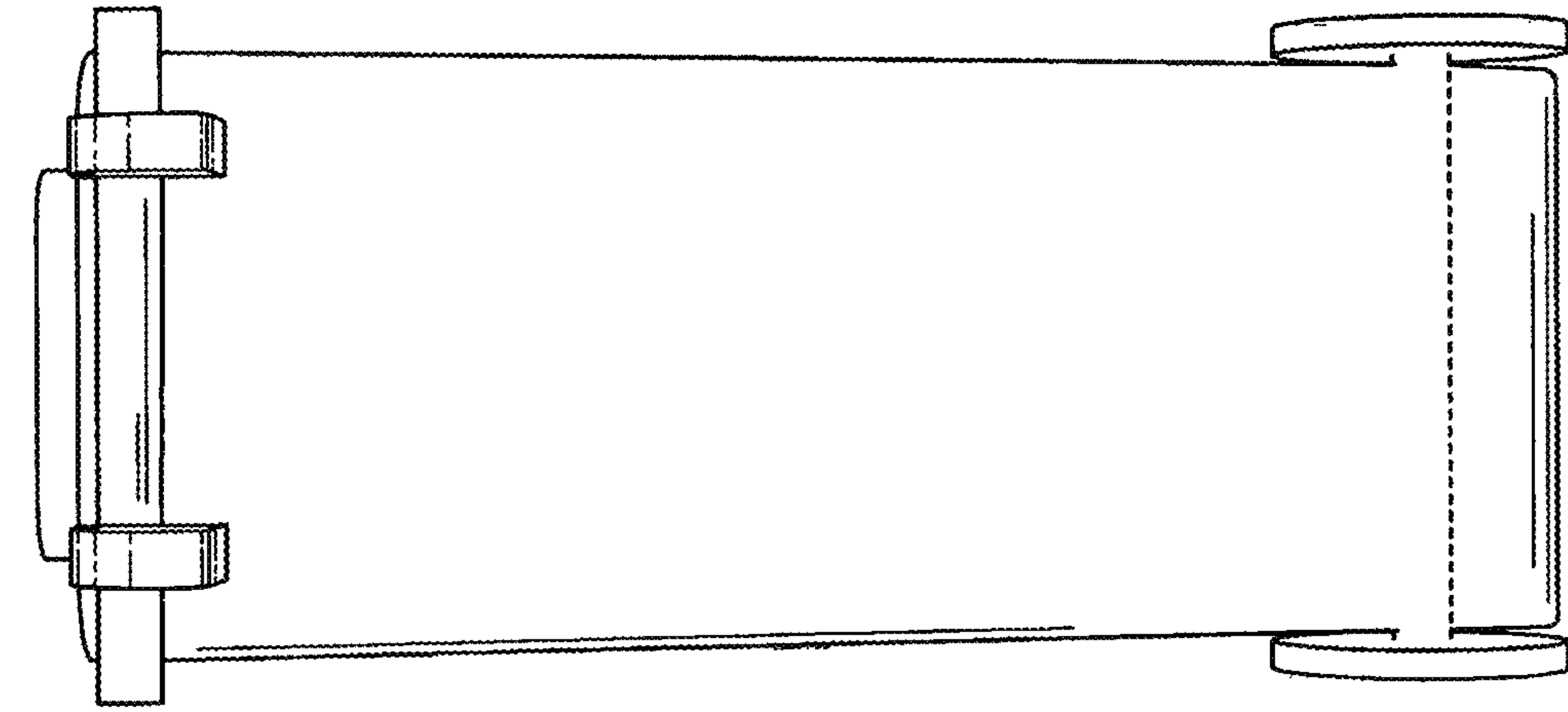


FIG. 2

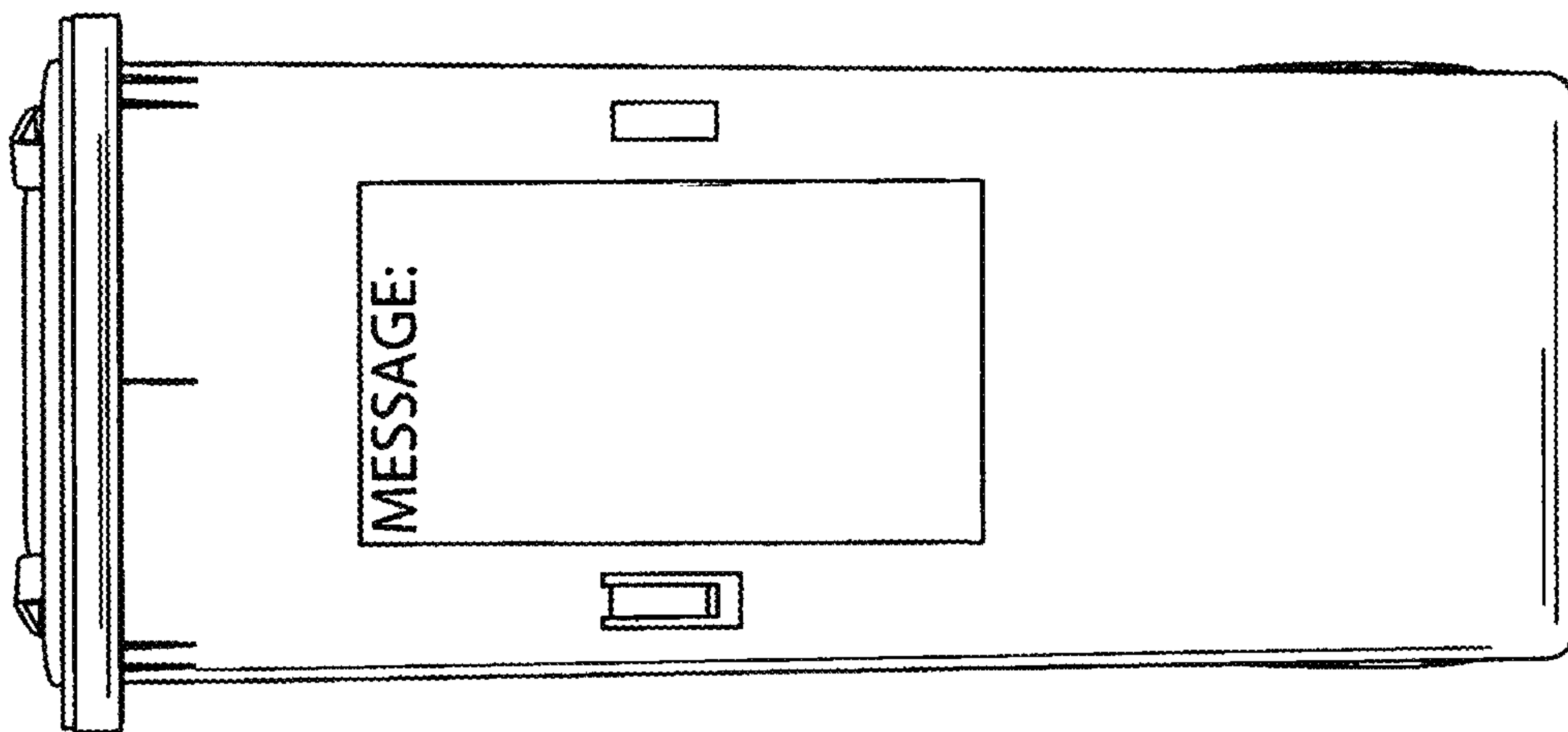


FIG. 3

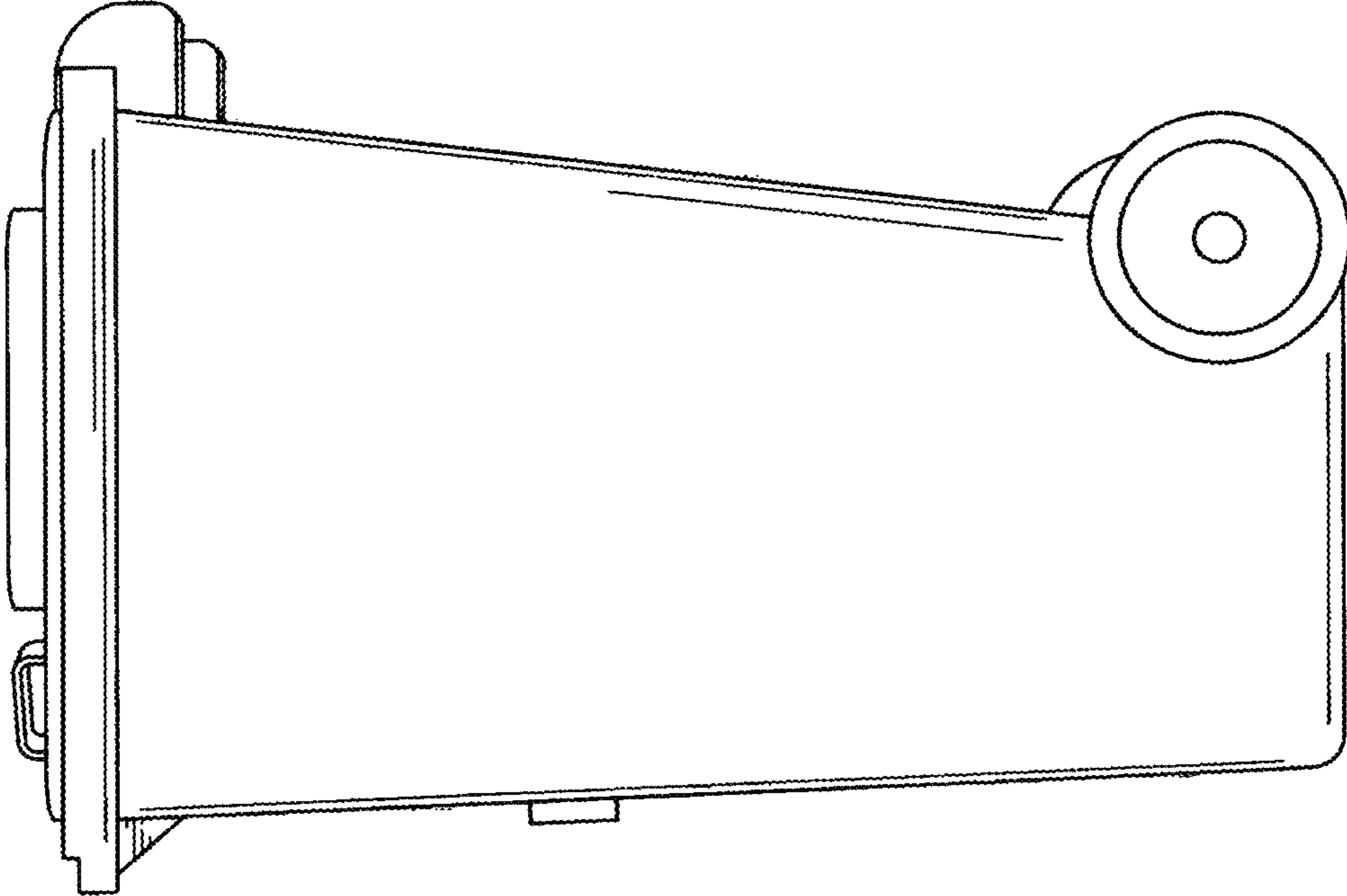


FIG. 5

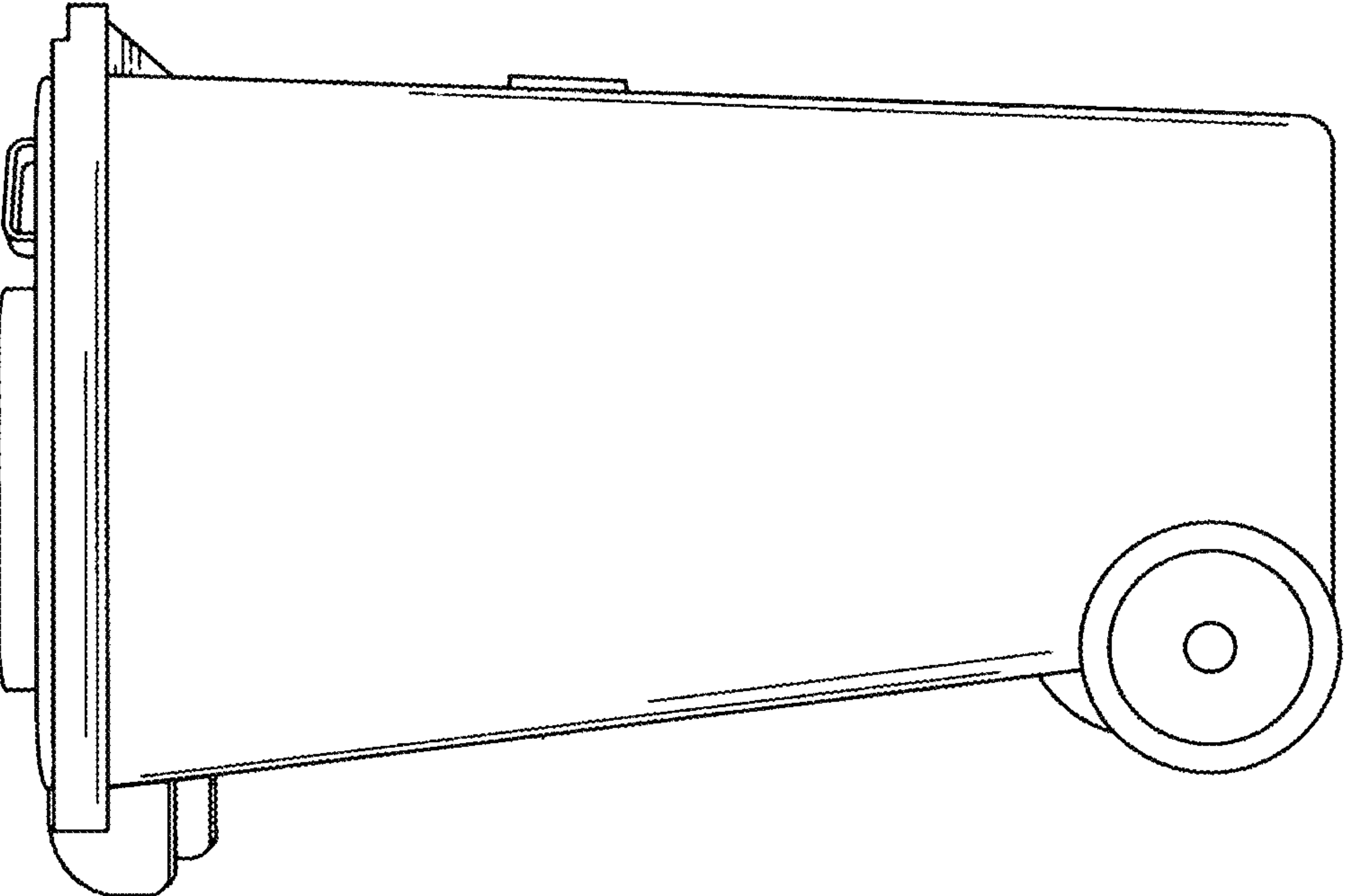


FIG. 4

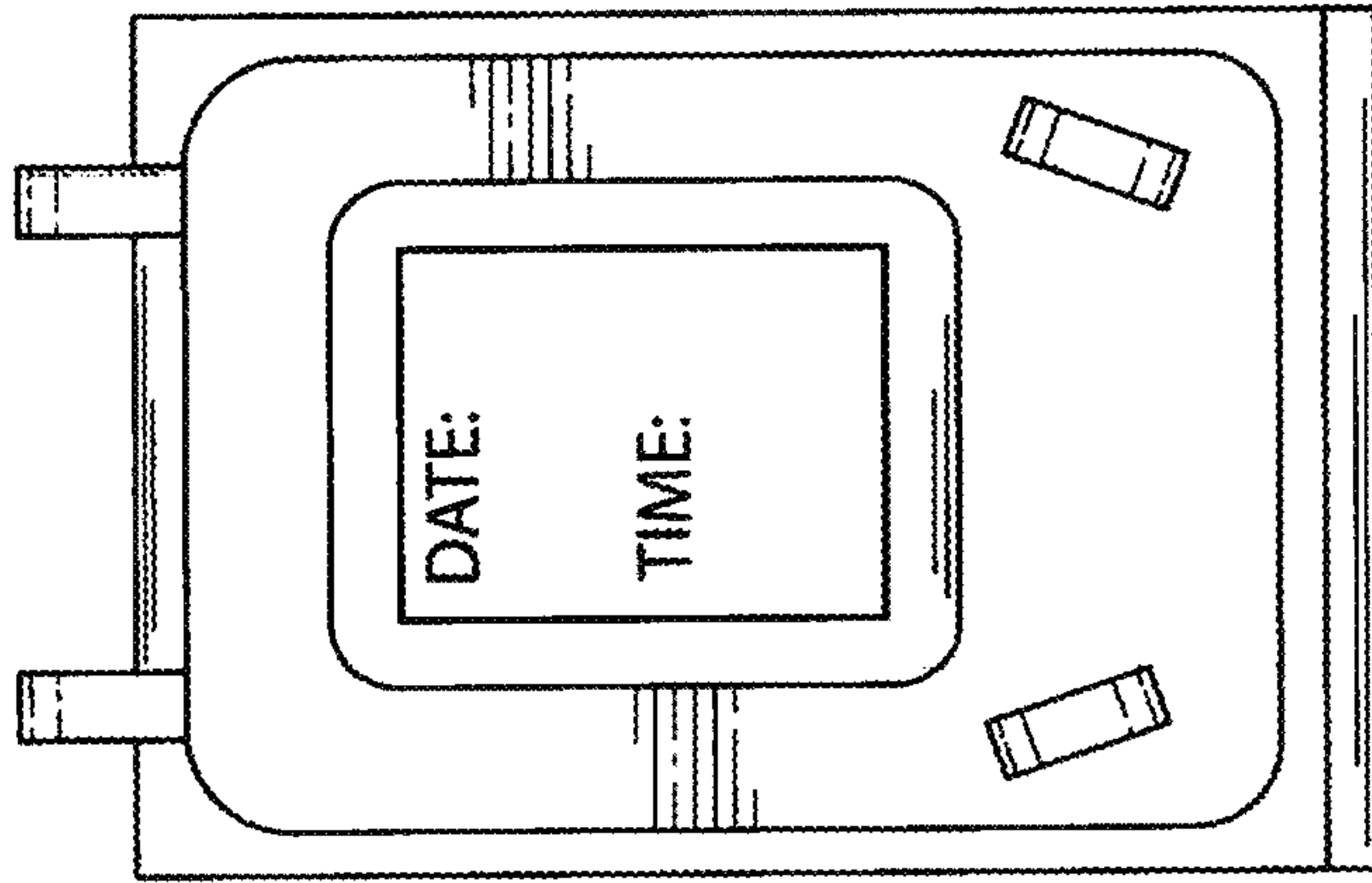


FIG. 6

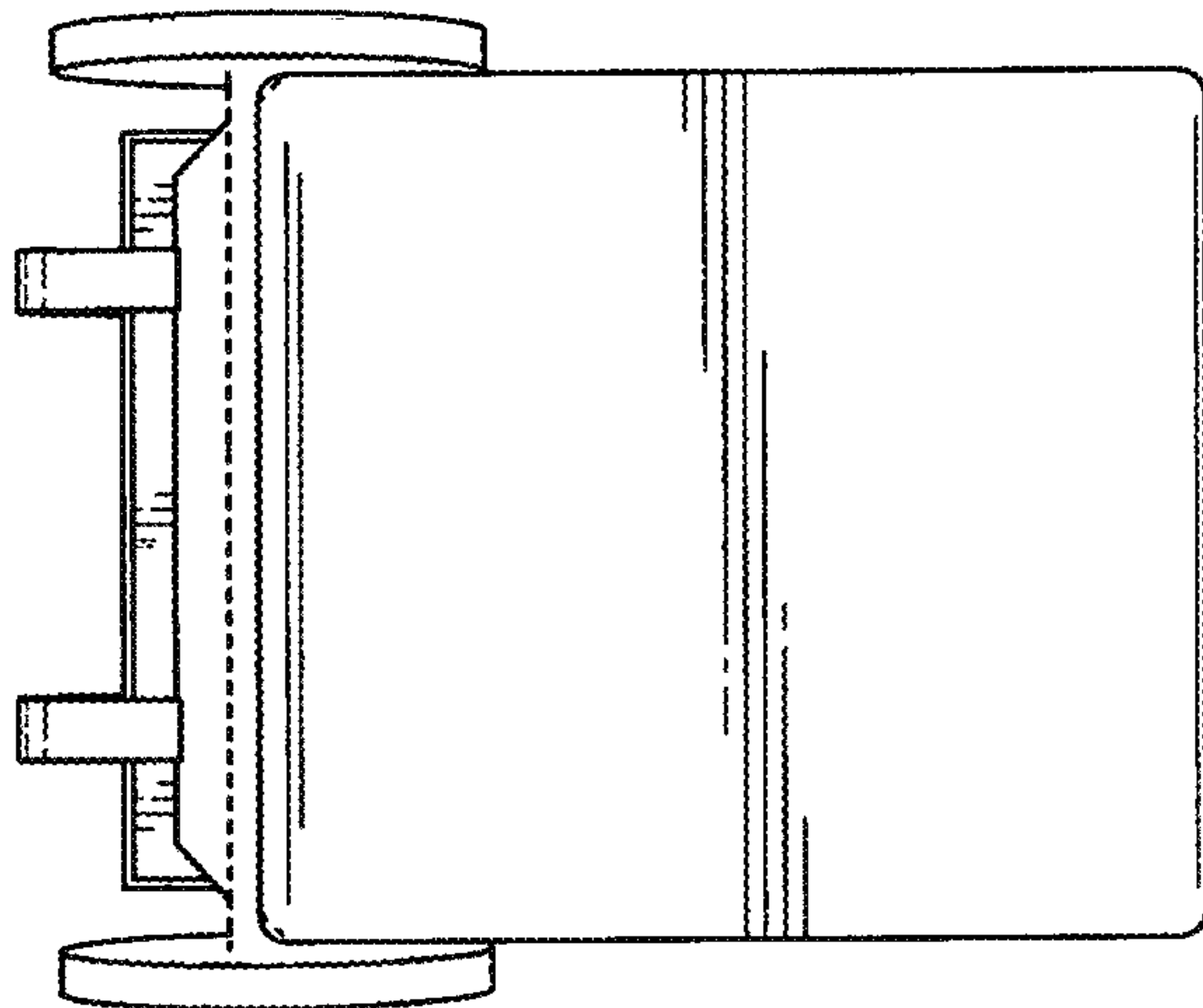


FIG. 7