



US00D915709S

(12) **United States Design Patent** (10) **Patent No.:** **US D915,709 S**  
**Sheldrake et al.** (45) **Date of Patent:** **\*\* Apr. 6, 2021**

(54) **TRASH CONTAINER**  
(71) Applicants: **Len Sheldrake**, Smithville (CA); **Blair Jones**, Smithville (CA)  
(72) Inventors: **Len Sheldrake**, Smithville (CA); **Blair Jones**, Smithville (CA)

2009/0026208 A1\* 1/2009 McKenzie ..... B65F 1/1468  
220/495.06  
2012/0145730 A1\* 6/2012 Bloom ..... B65D 25/24  
220/729  
2012/0285952 A1\* 11/2012 James ..... B65F 1/02  
220/23.4  
2019/0263565 A1\* 8/2019 McCrossin ..... B65F 1/14

(\*\*) Term: **15 Years**  
(21) Appl. No.: **29/717,874**  
(22) Filed: **Dec. 19, 2019**  
(51) **LOC (13) Cl.** ..... **09-09**  
(52) **U.S. Cl.**  
USPC ..... **D34/1**  
(58) **Field of Classification Search**  
USPC ..... D34/1, 7  
CPC ... B65D 25/24; B65F 1/14; B65F 1/02; B65F 1/062; B65F 1/004; B65F 1/006; B65F 1/06; B65F 1/10; B65F 1/16; B65F 1/1607; B65F 1/167  
See application file for complete search history.

**OTHER PUBLICATIONS**

Google search Dec. 22, 2020, brute 23 gal. round vented trash can, <https://www.homedepot.com/p/Rubbermaid-Commercial-Products-Brute-32-Gal-White-Round-Vented-Trash-Can-RCP2632WHI/100641476> (Year: 2020).\*

\* cited by examiner

*Primary Examiner* — Cynthia Ramirez

(57) **CLAIM**

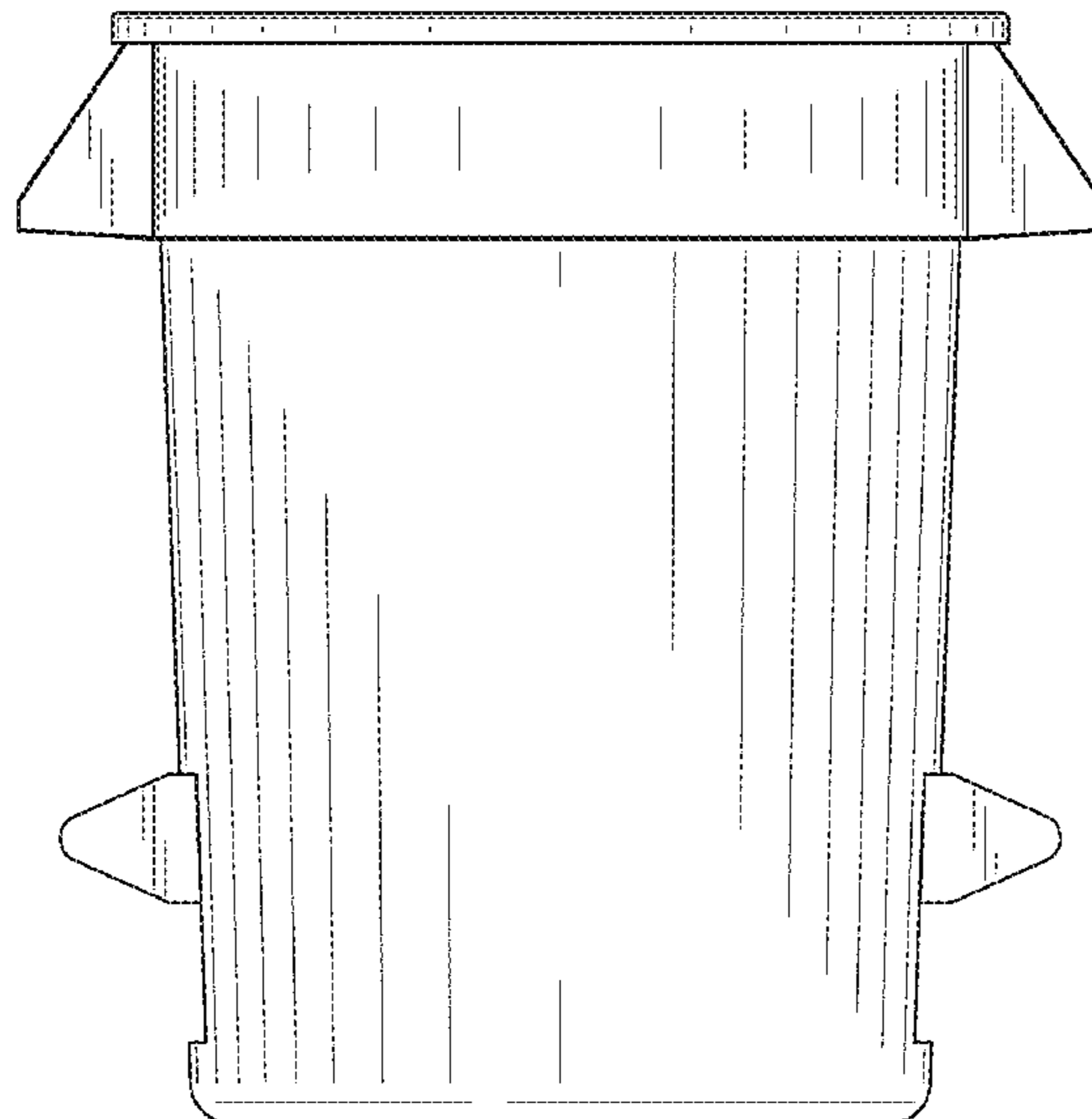
The ornamental design for a trash container, as shown and described.

**DESCRIPTION**

FIG. 1 is a front view of a trash container showing my new design;  
FIG. 2 is a rear view of the trash container;  
FIG. 3 is a right side view of the trash container;  
FIG. 4 is a left side view of the trash container;  
FIG. 5 is a top view of the trash container;  
FIG. 6 is a bottom view of the trash container;  
FIG. 7 is a top front side perspective view of the trash container;  
FIG. 8 is a top back side perspective view of the trash container;  
FIG. 9 is a top front side perspective view of the trash container with lower handles in an alternative position; and,  
FIG. 10 is a top back side perspective view of the trash container with lower handles in an alternative position.

(56) **References Cited**  
U.S. PATENT DOCUMENTS  
4,609,200 A 9/1986 Winter  
D347,095 S 5/1994 Apps  
5,547,104 A 8/1996 Parker  
D376,235 S \* 12/1996 Presnell ..... D34/1  
D398,117 S \* 9/1998 Giba ..... D34/1  
6,471,221 B1 10/2002 McGarry  
6,808,081 B1 10/2004 Citro  
D570,064 S \* 5/2008 Ruckman ..... D34/1  
D603,572 S \* 11/2009 Morad ..... D34/1  
D636,959 S \* 4/2011 Irwin ..... D34/1  
D646,035 S \* 9/2011 Fish ..... D34/6  
D676,622 S \* 2/2013 Thurmond ..... D34/1  
D677,032 S \* 2/2013 Thurmond ..... D34/5  
D804,758 S 12/2017 Luburic  
9,856,052 B2 1/2018 O'Leary  
10,058,222 B1 \* 8/2018 Willer ..... A47L 7/0047  
D832,548 S \* 10/2018 Labrecque ..... D34/10

**1 Claim, 9 Drawing Sheets**



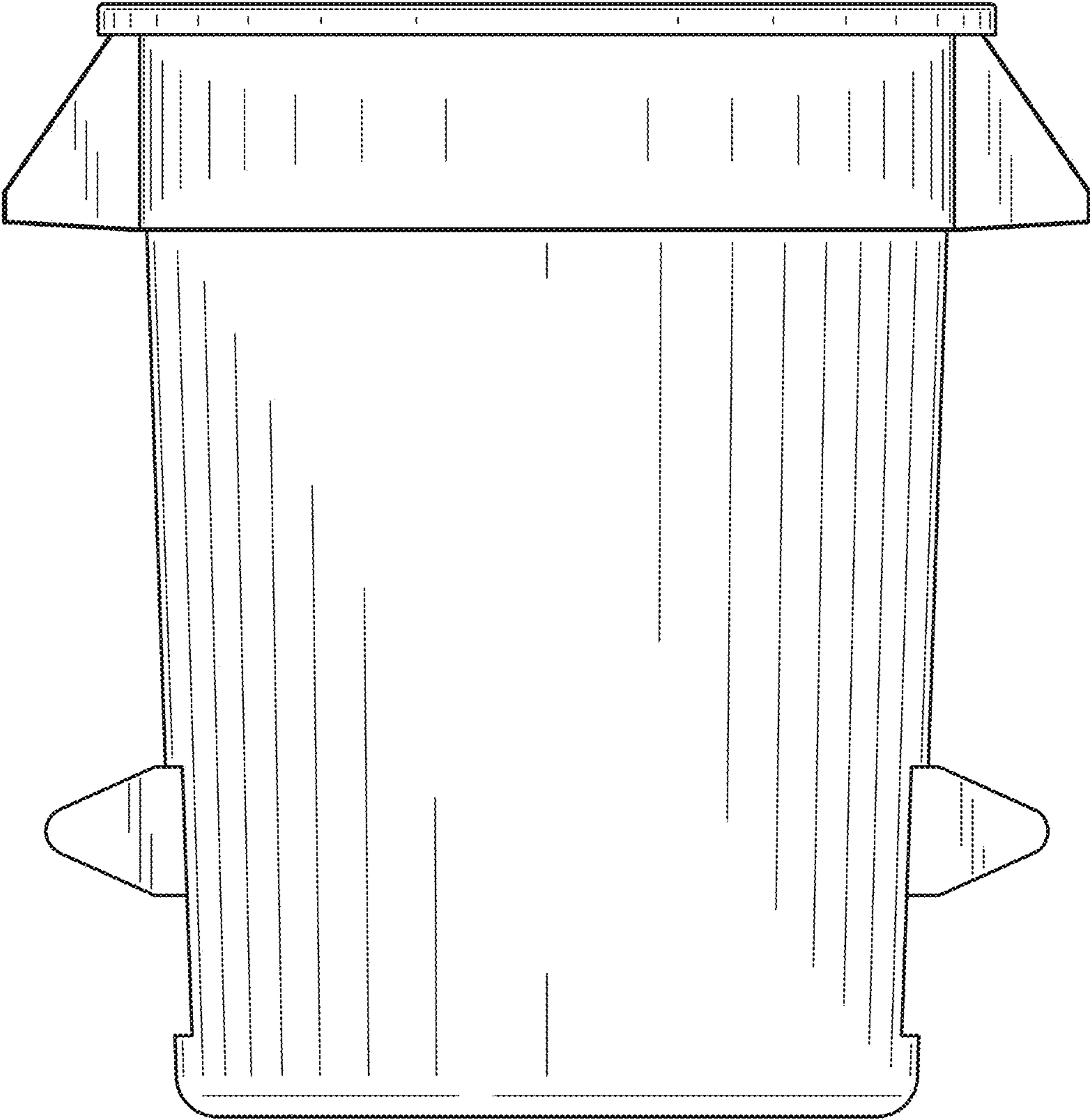


FIG. 1

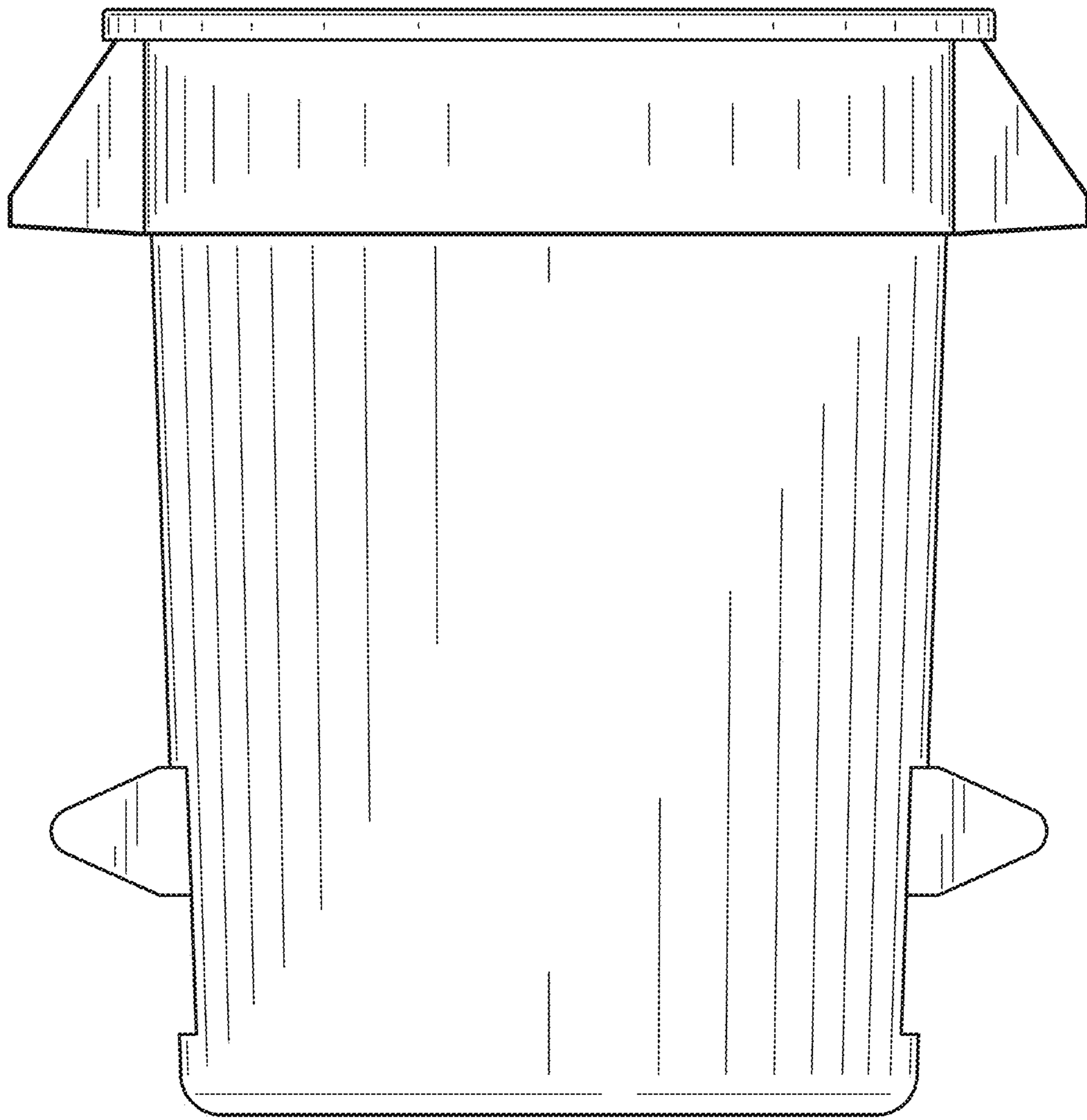


FIG. 2

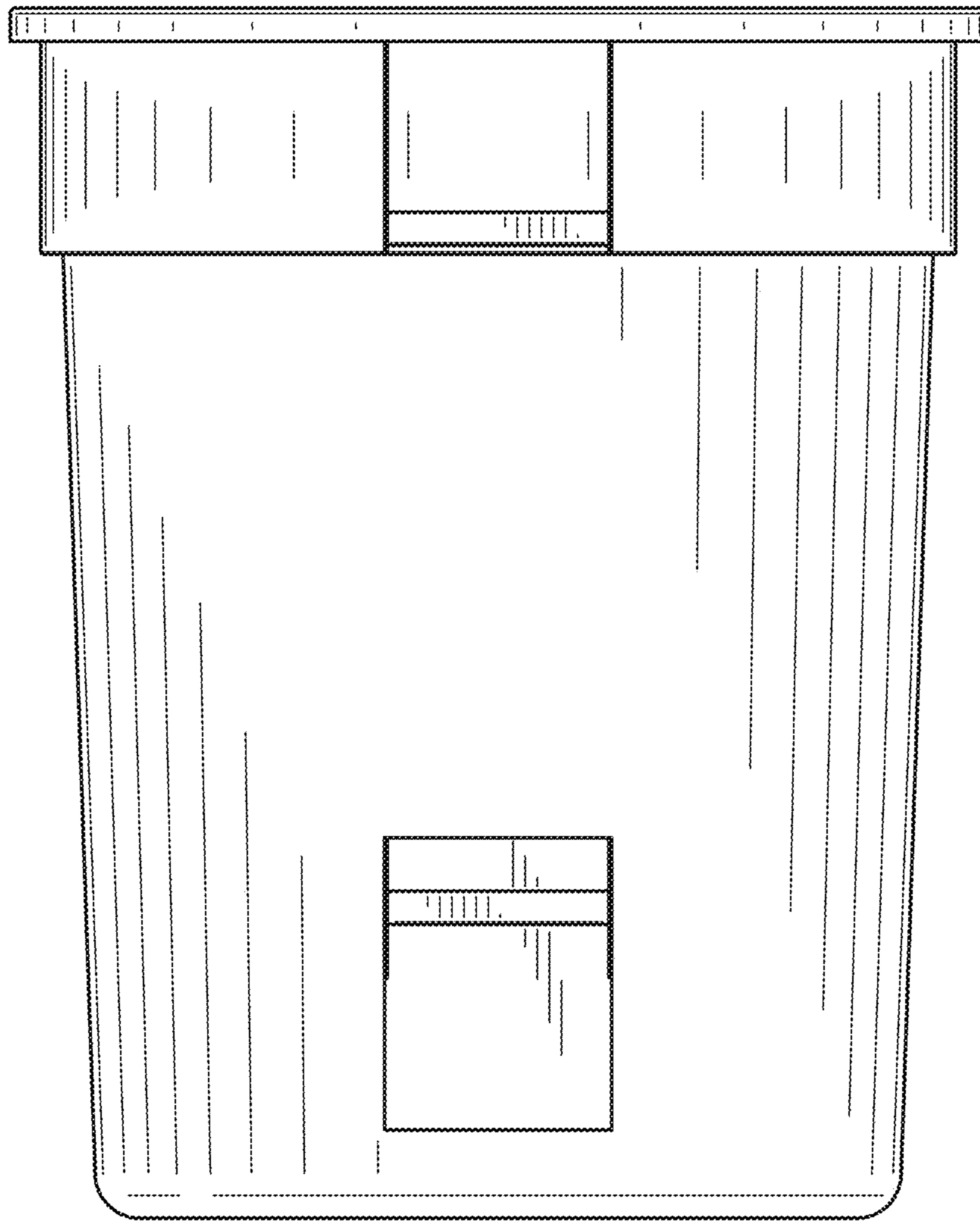


FIG. 3

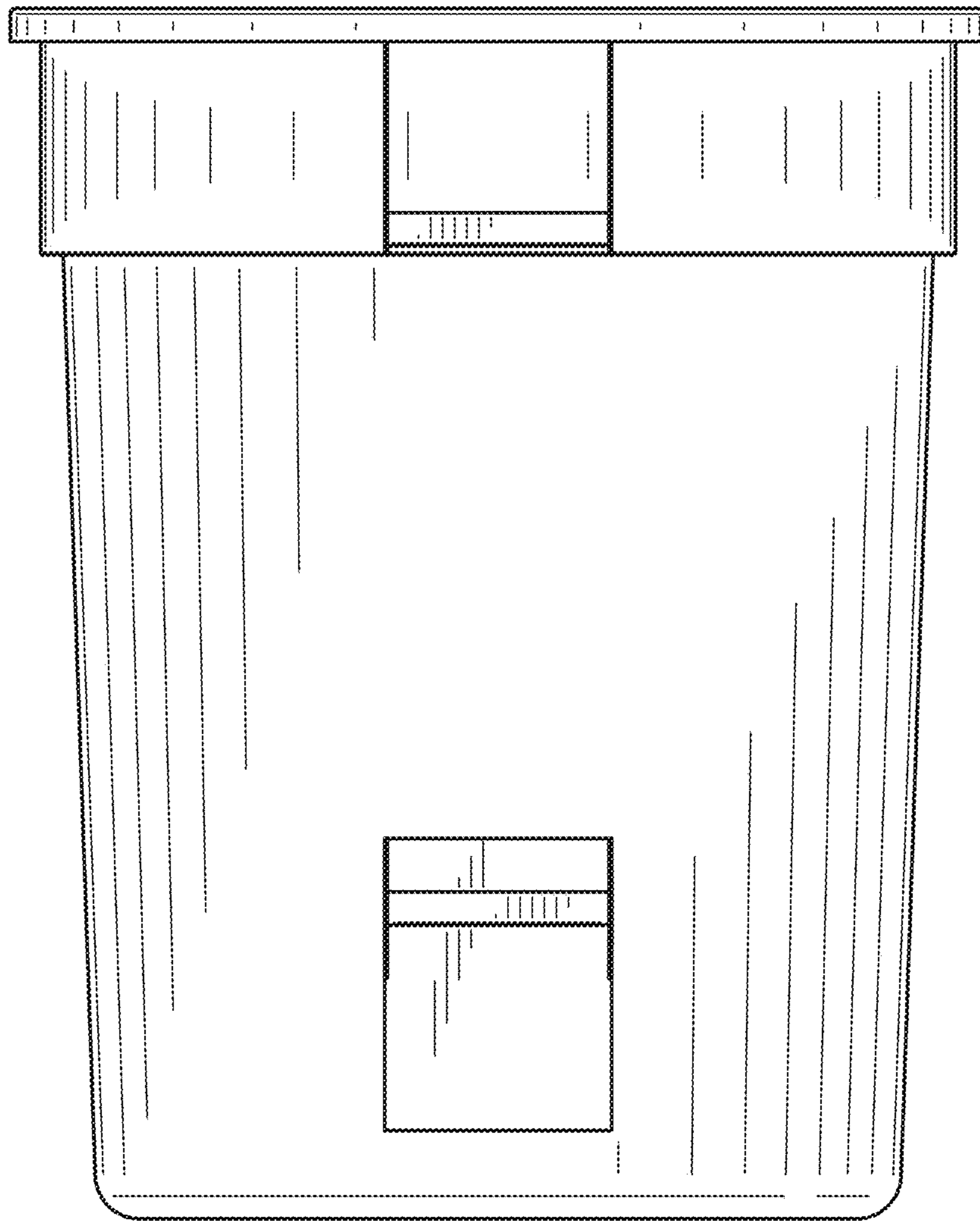


FIG. 4

FIG. 5

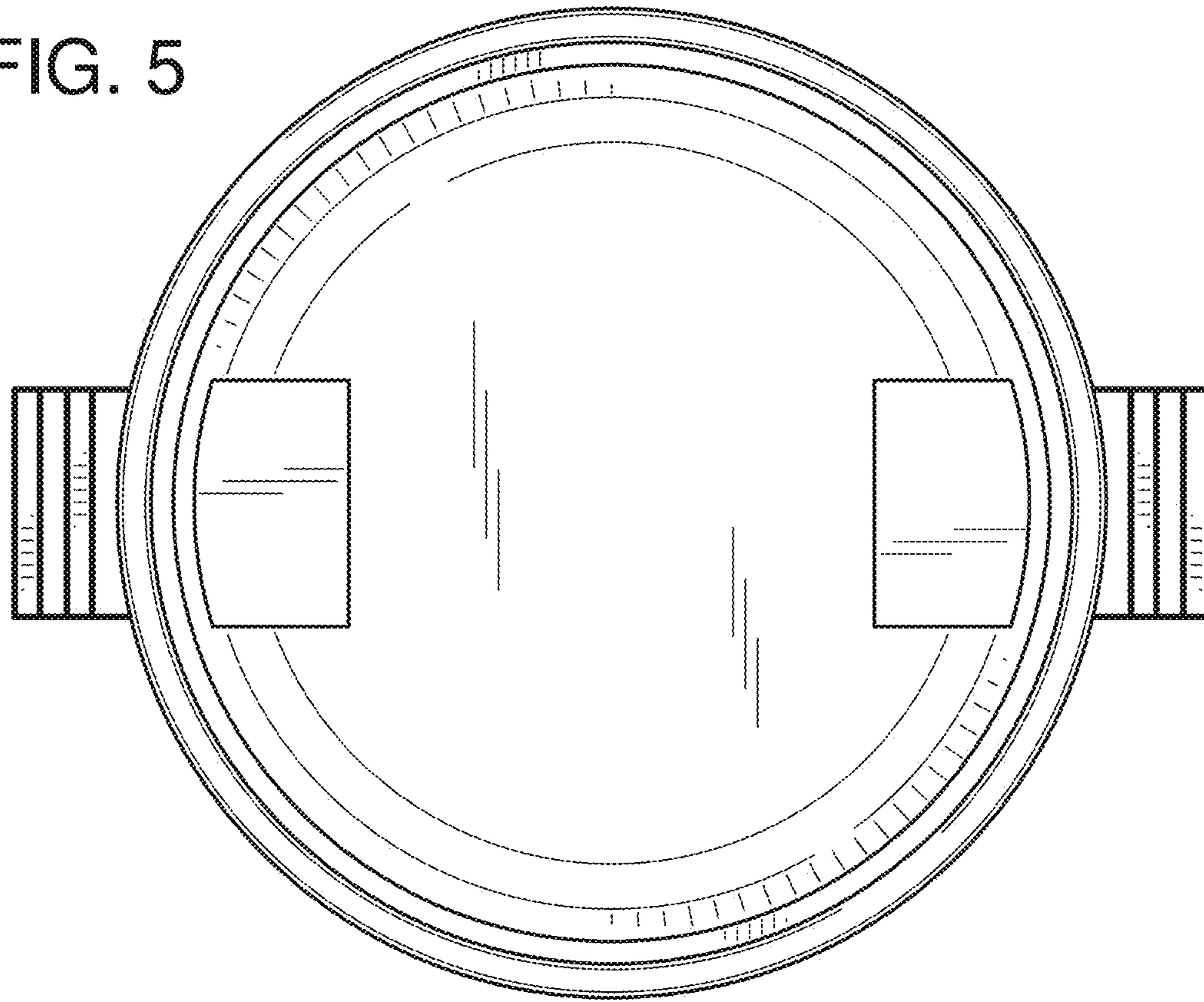


FIG. 6

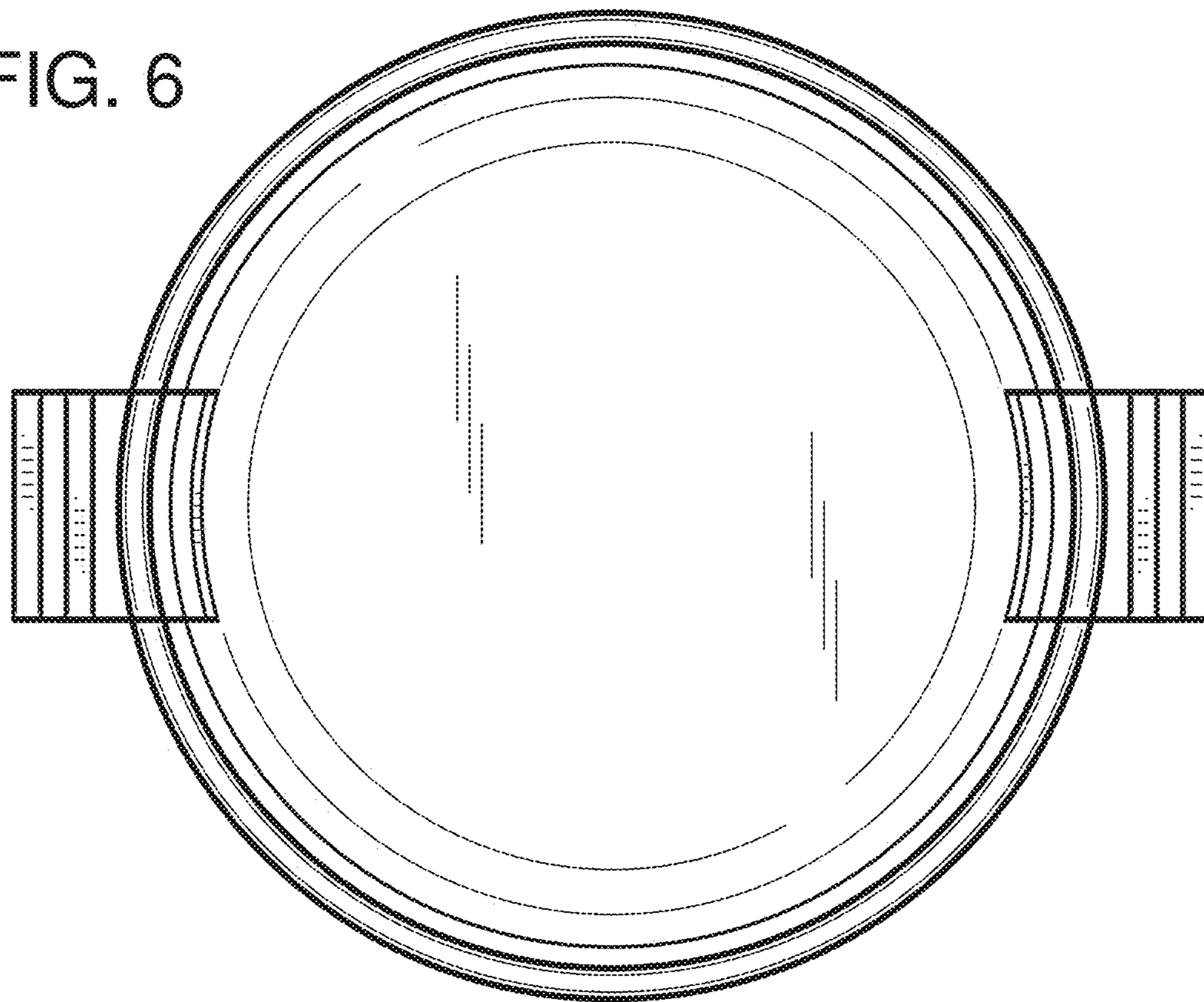


FIG. 7

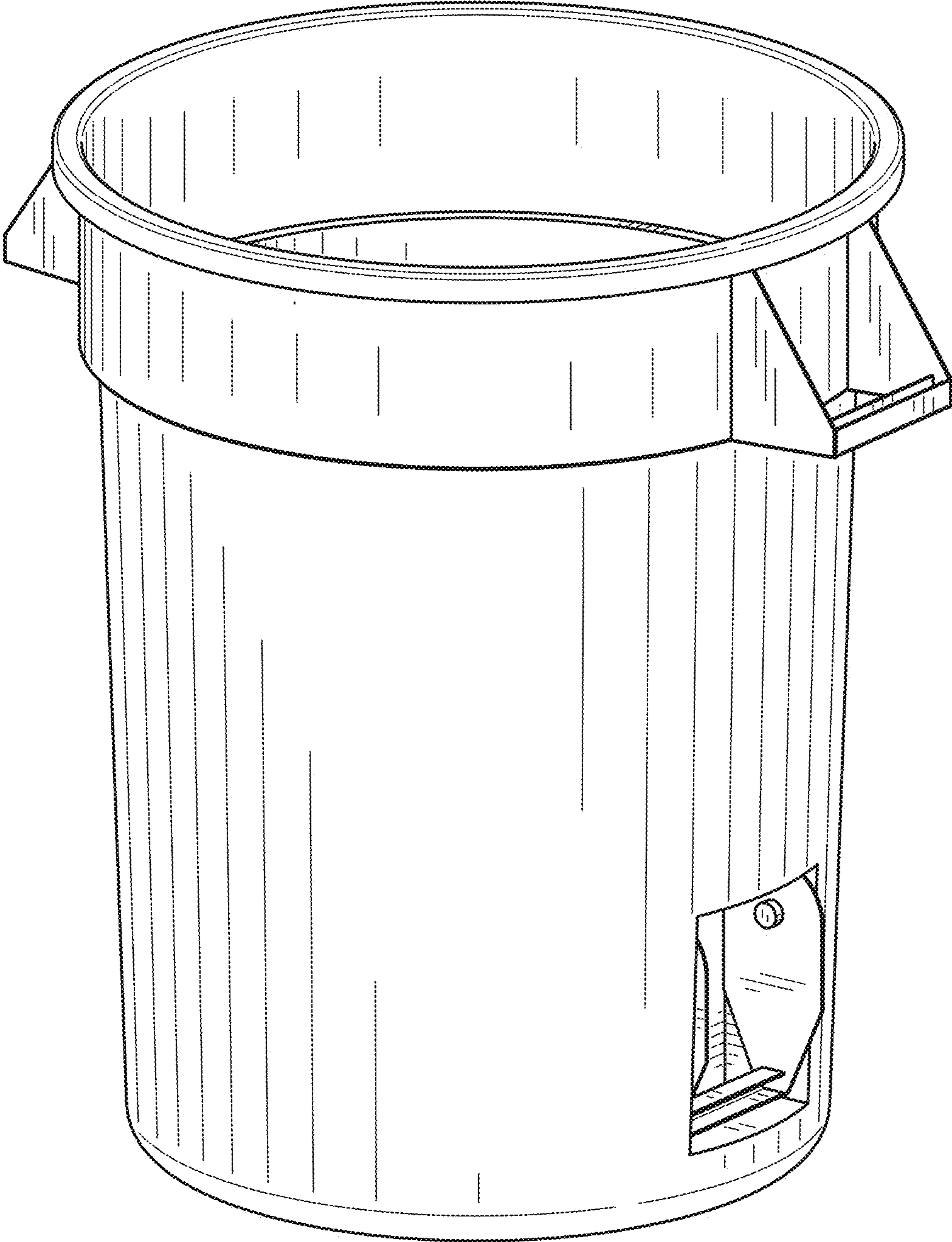


FIG. 8

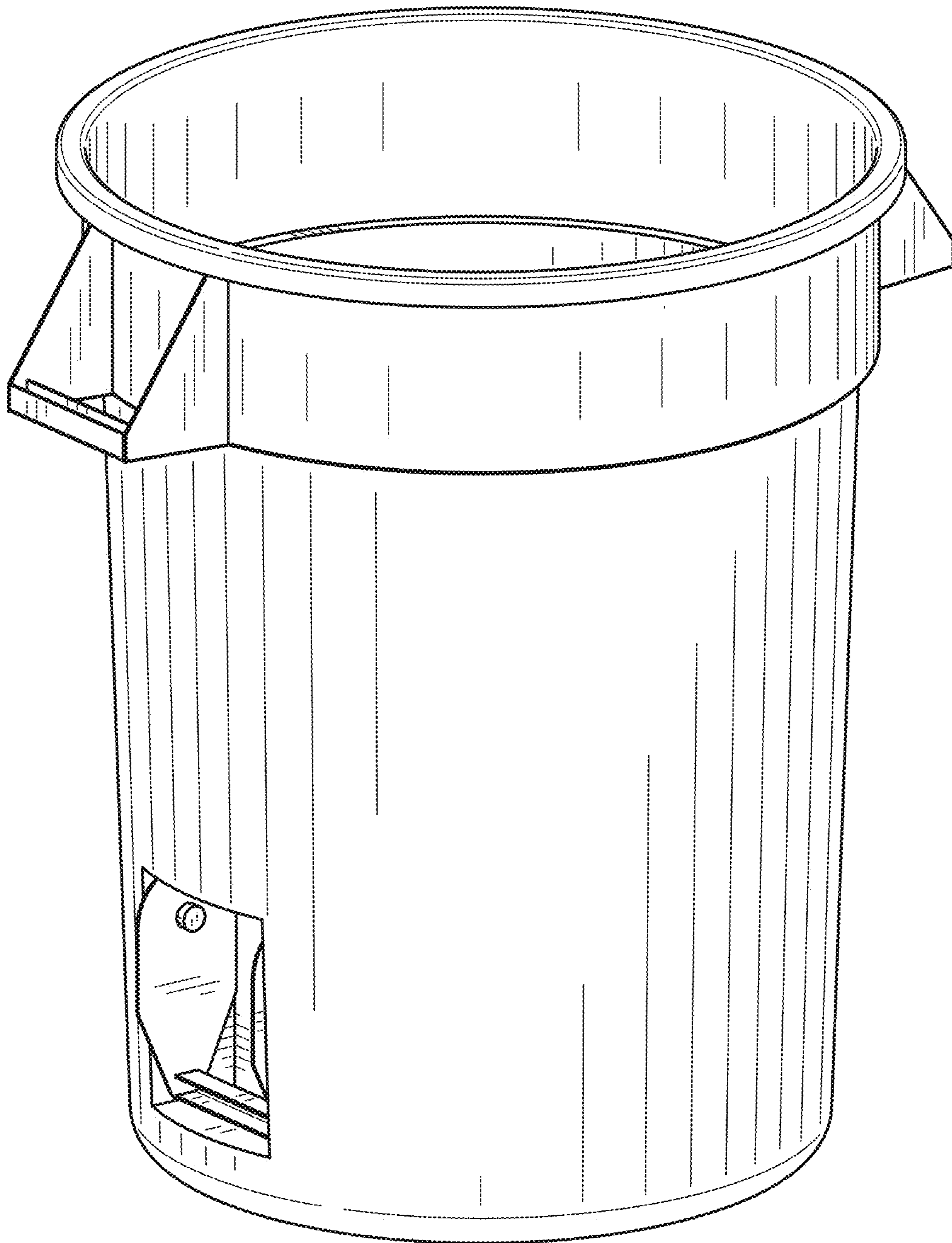




FIG. 9

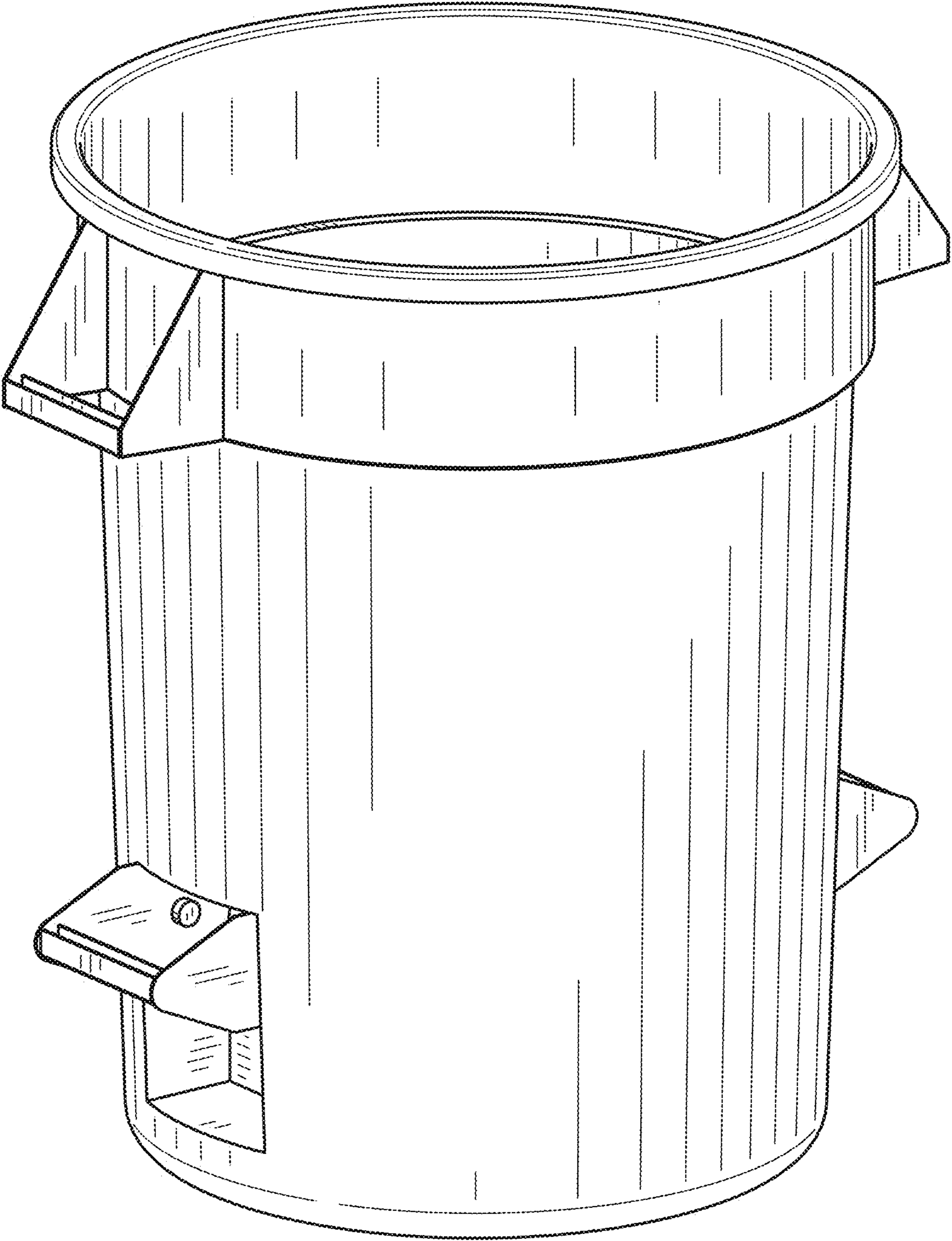


FIG. 10

