



US00D915708S

(12) **United States Design Patent**
Tang

(10) **Patent No.:** **US D915,708 S**

(45) **Date of Patent:** **** Apr. 6, 2021**

(54) **DISH RACK**

(71) Applicant: **Dedong Tang**, Pingba (CN)

(72) Inventor: **Dedong Tang**, Pingba (CN)

(**) Term: **15 Years**

(21) Appl. No.: **29/749,141**

(22) Filed: **Sep. 3, 2020**

(51) **LOC (13) Cl.** **07-05**

(52) **U.S. Cl.**
USPC **D32/55**

(58) **Field of Classification Search**
USPC D32/55, 276, 3; D6/510, 525; D30/133;
211/41.5, 41.4, 41.3, 41.8; 361/679.4;
312/311, 333, 334.4; D7/354, 629
CPC A47J 47/20; A47J 2201/00; A47J 47/00;
B65D 35/02; B65D 35/22; B65D 35/56
See application file for complete search history.

(56) **References Cited**

U.S. PATENT DOCUMENTS

D549,914 S 8/2007 Eskandari
D555,311 S 11/2007 Yang et al.
D559,491 S 1/2008 Yang et al.

D693,081 S * 11/2013 Yang D32/55
D699,413 S * 2/2014 Huang D32/55
D706,510 S * 6/2014 Lerner D32/55
D776,387 S * 1/2017 Chen D32/56
D783,216 S * 4/2017 Huang D32/55
D819,289 S 5/2018 Umholtz et al.
D820,543 S * 6/2018 Huang D32/55
D846,220 S * 4/2019 Kraemer D32/55
D874,775 S * 2/2020 Xie D32/55
D887,098 S * 6/2020 Li D32/55

* cited by examiner

Primary Examiner — Austin Murphy

(74) *Attorney, Agent, or Firm* — Rumit Ranjit Kanakia

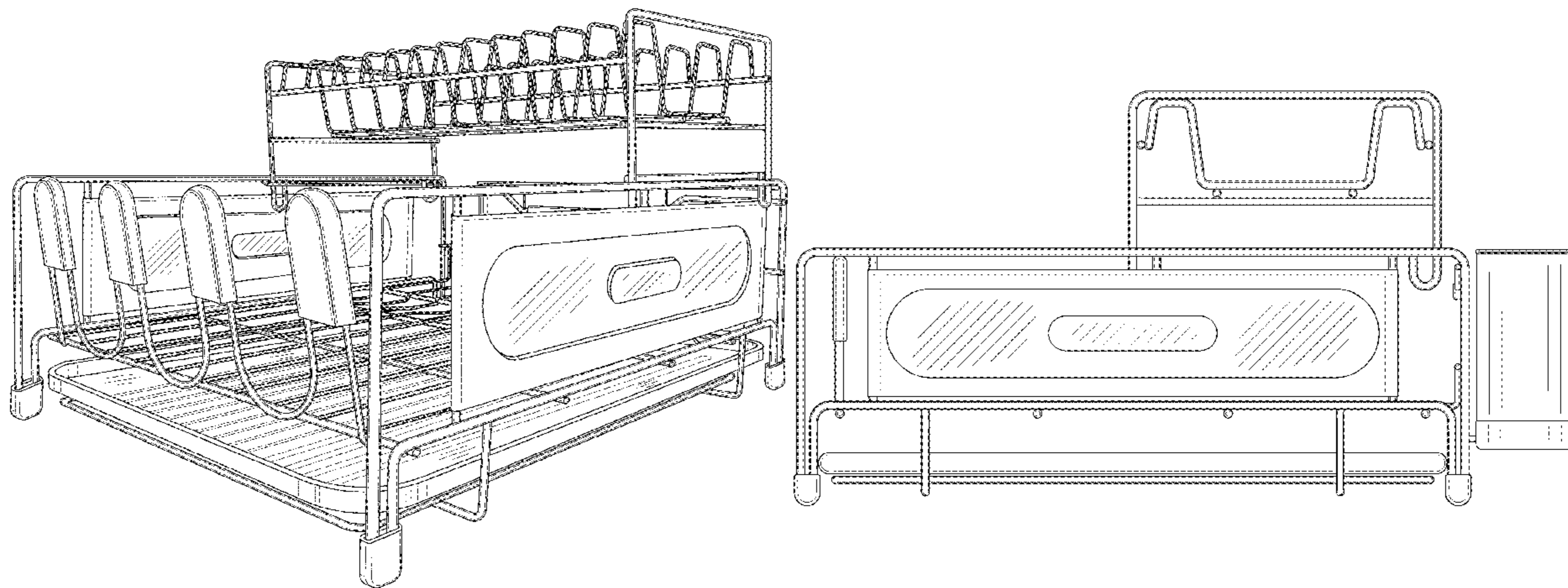
(57) **CLAIM**

I claim the ornamental design for a dish rack, as shown and described.

DESCRIPTION

FIG. 1 is a Perspective view of a dish rack showing my new design;
FIG. 2 is a Front view thereof;
FIG. 3 is a Back view thereof;
FIG. 4 is a Right-side view thereof;
FIG. 5 is a Left-side view thereof;
FIG. 6 is a Top view thereof; and,
FIG. 7 is a Bottom view thereof.

1 Claim, 7 Drawing Sheets



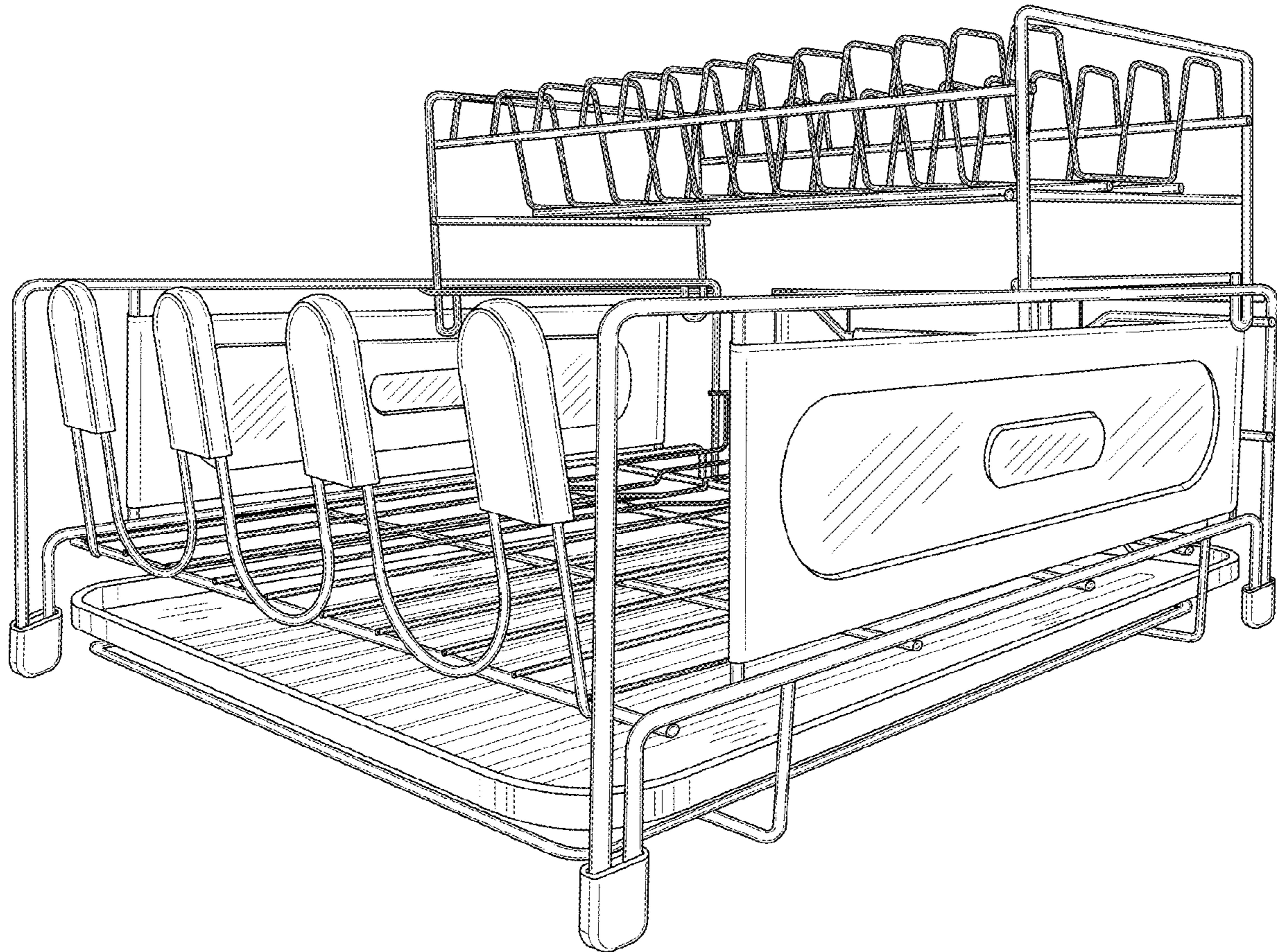


FIG. 1

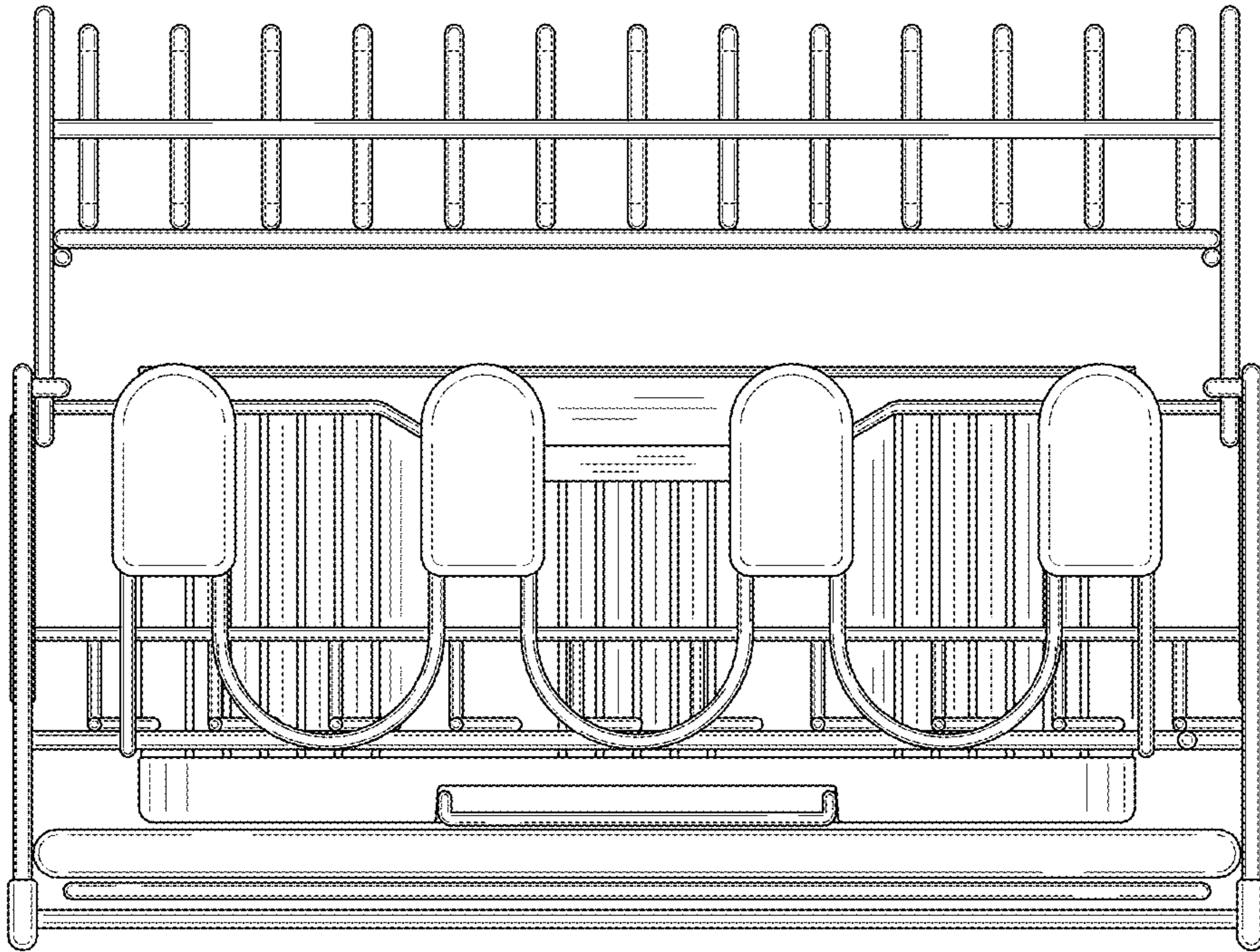


FIG. 2

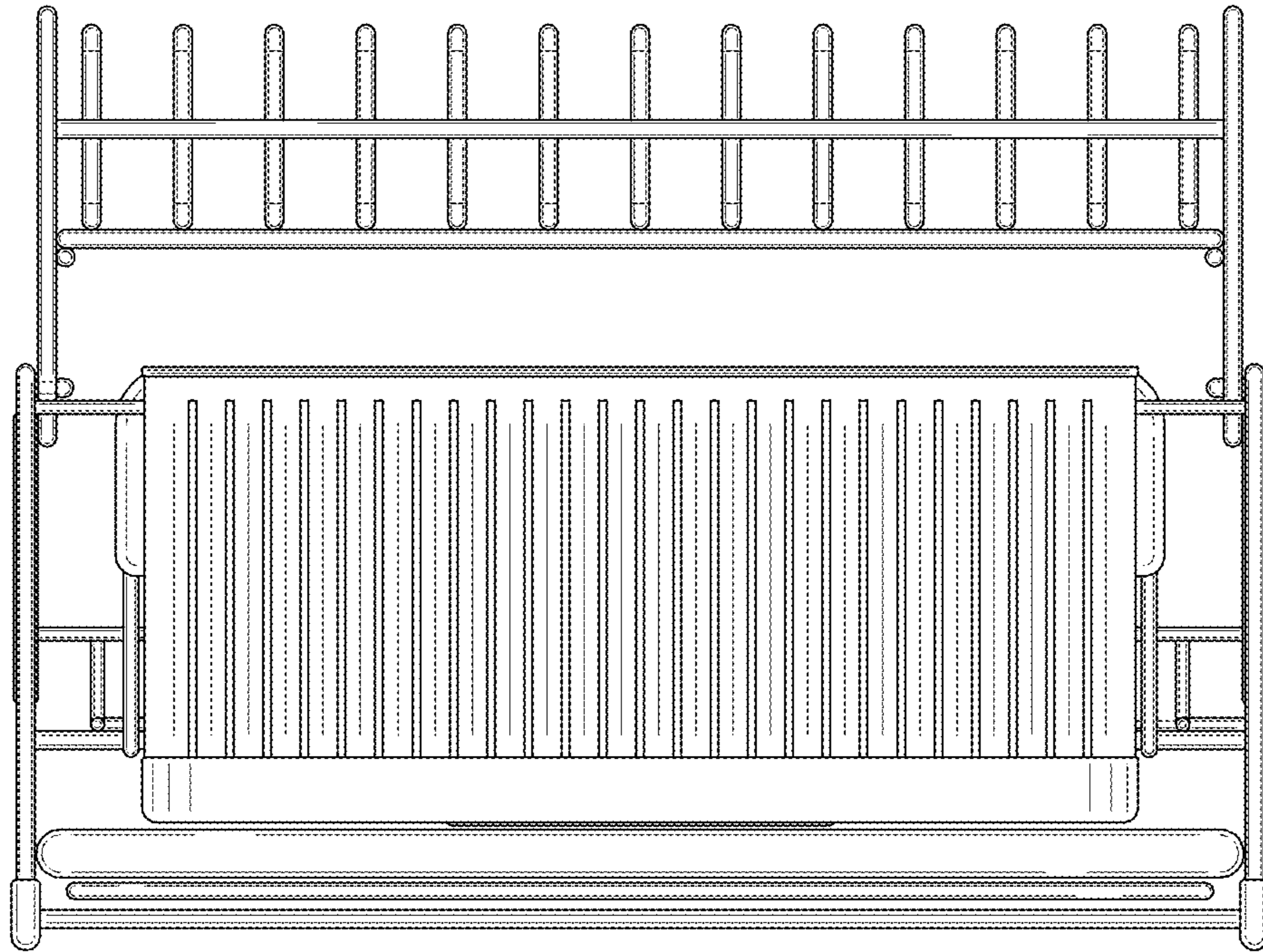


FIG. 3

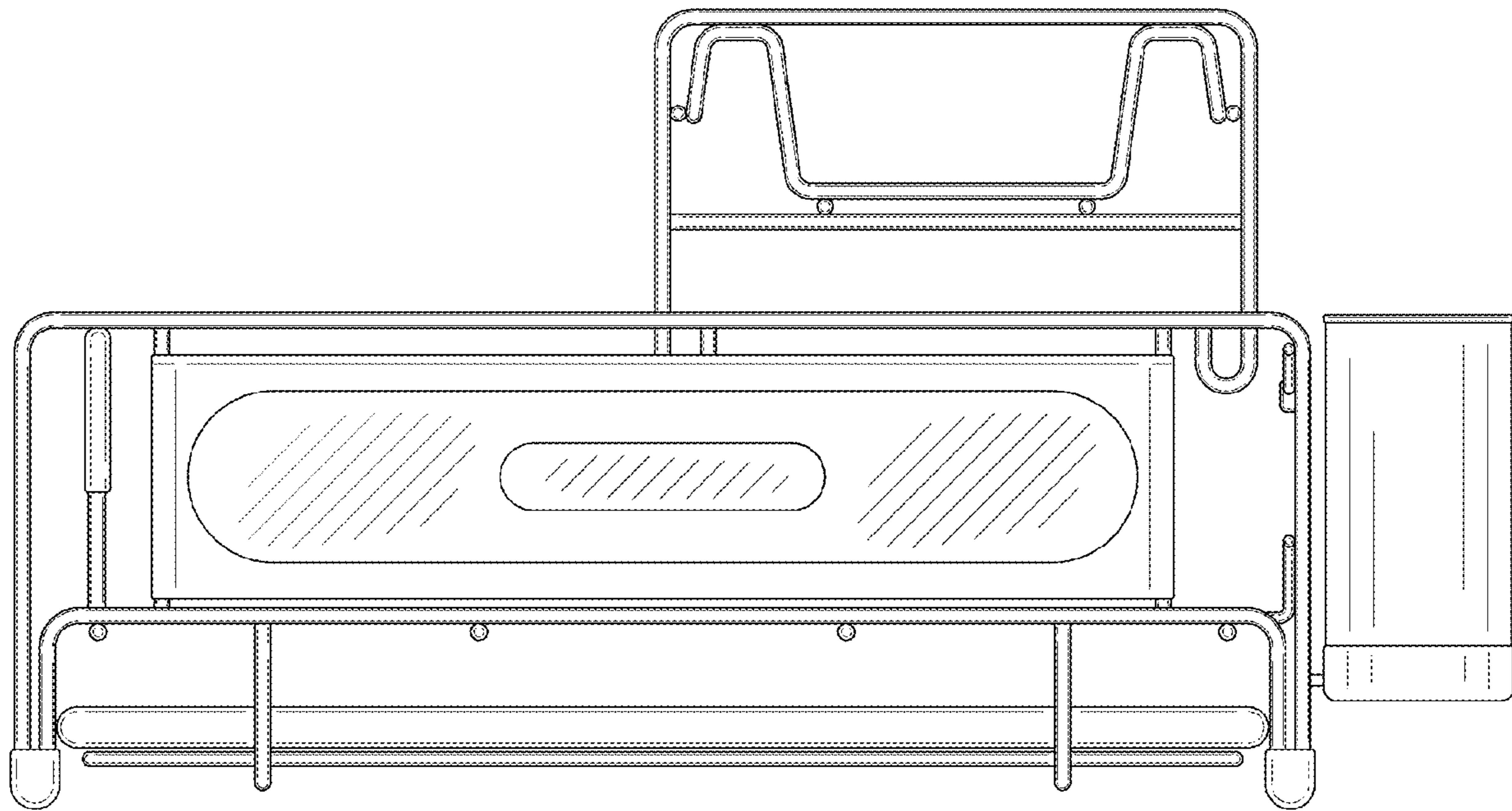


FIG. 4

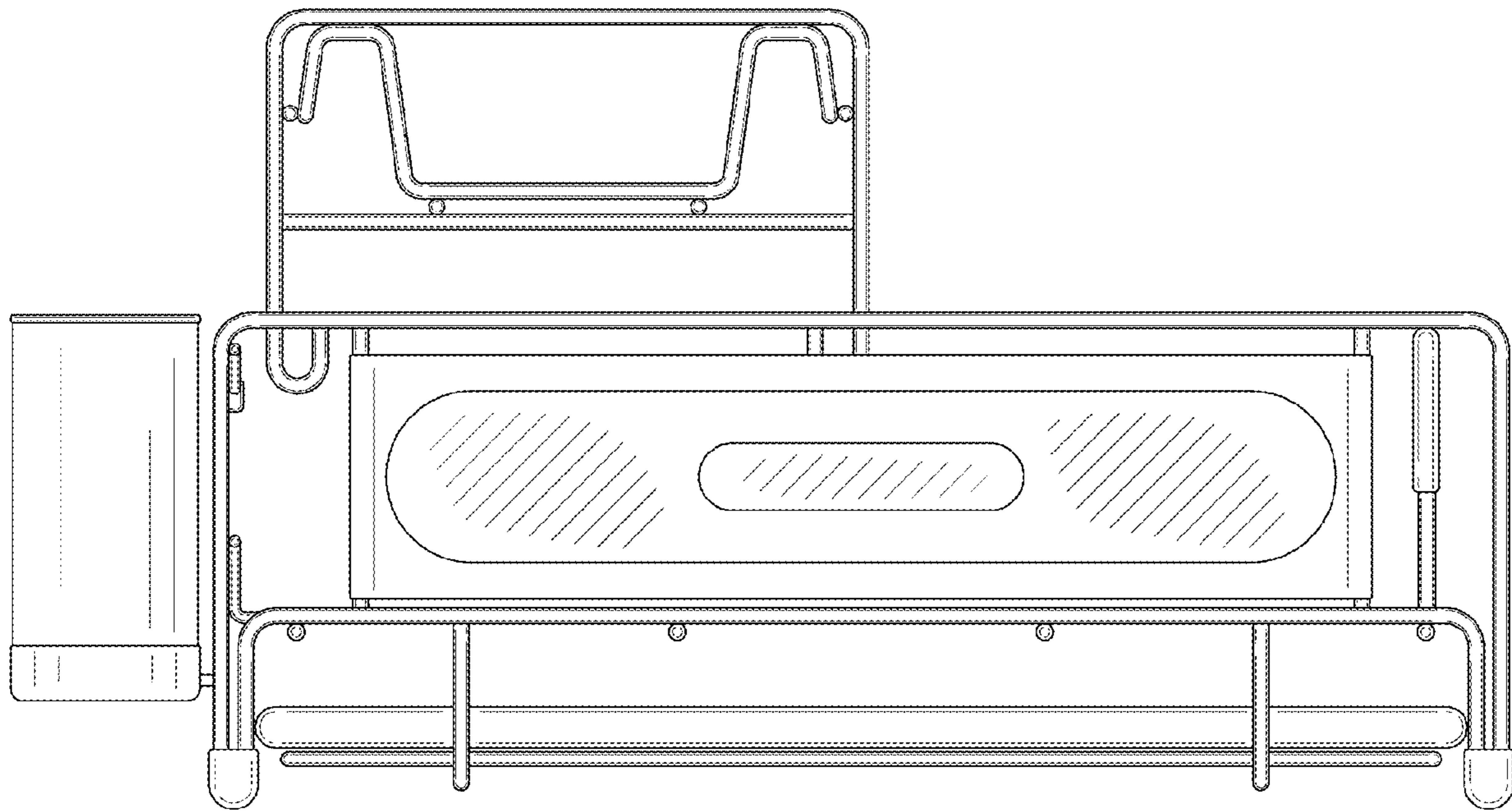


FIG. 5

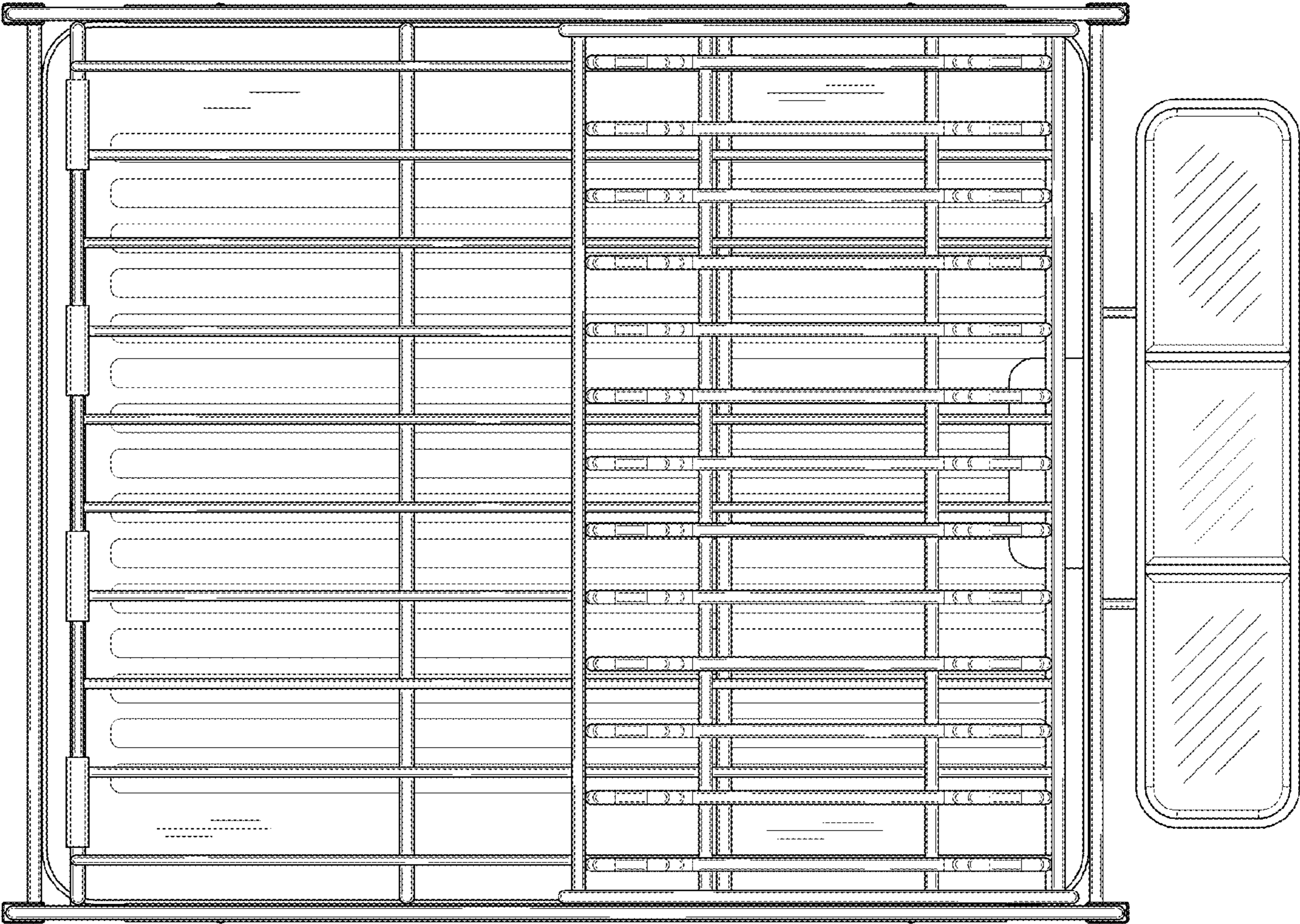


FIG. 6

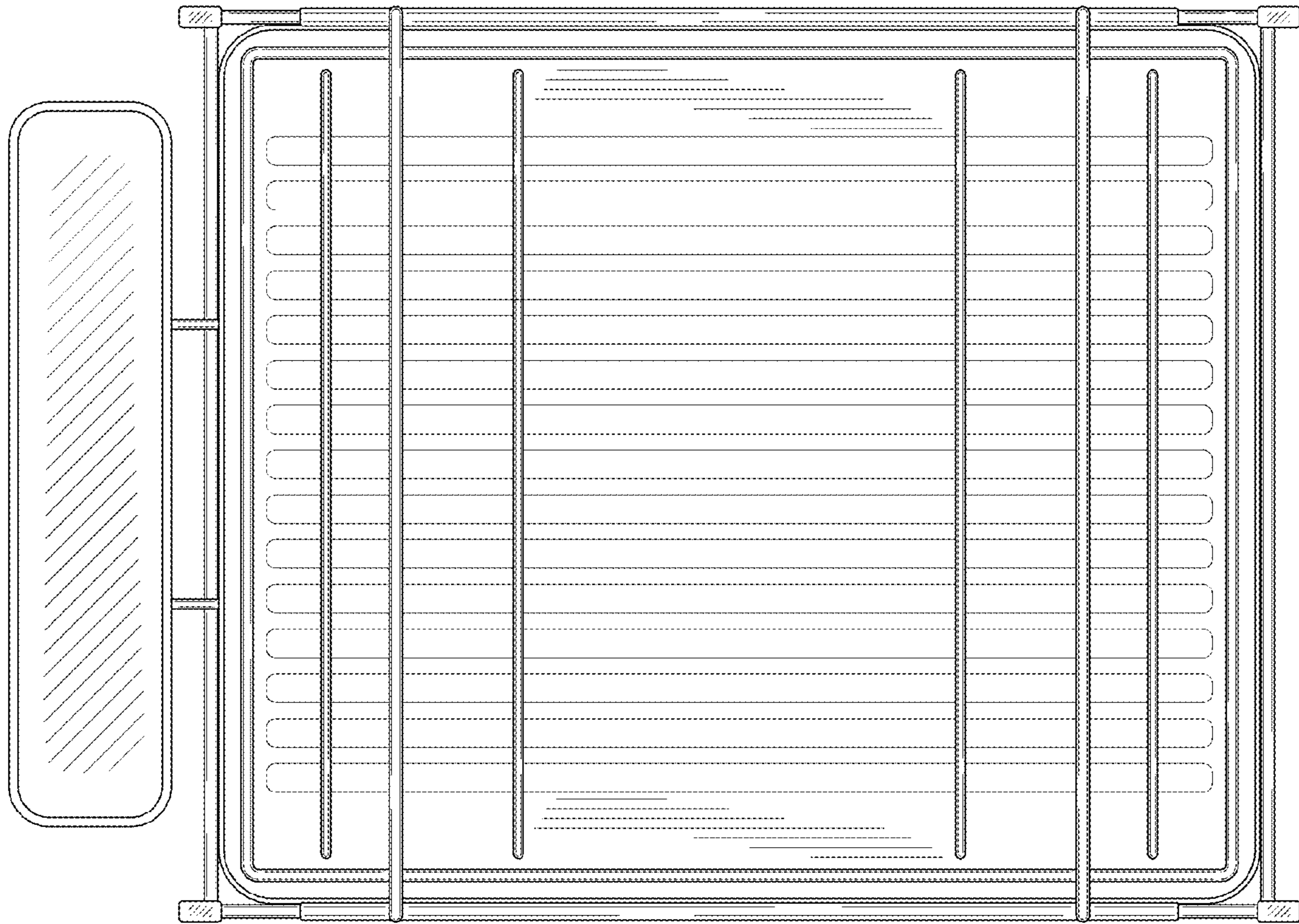


FIG. 7