



US00D915707S

(12) **United States Design Patent**
Li

(10) **Patent No.:** **US D915,707 S**

(45) **Date of Patent:** **** Apr. 6, 2021**

(54) **DISH RACK WITH WINE GLASS HOLDER**

(71) Applicant: **Yanjun Li**, Guangzhou (CN)

(72) Inventor: **Yanjun Li**, Guangzhou (CN)

(**) Term: **15 Years**

(21) Appl. No.: **29/732,413**

(22) Filed: **Apr. 24, 2020**

(51) **LOC (13) Cl.** **07-05**

(52) **U.S. Cl.**
USPC **D32/55**

(58) **Field of Classification Search**
USPC D32/55, 276, 3; D6/510, 525; D30/133;
211/41.5, 41.4, 41.3, 41.8; 361/679.4;
312/311, 333, 334.4; D7/354, 629
CPC A47J 47/20; A47J 2201/00; A47J 47/00;
B65D 35/02; B65D 35/22; B65D 35/56
See application file for complete search history.

(56) **References Cited**

U.S. PATENT DOCUMENTS

D647,678 S * 10/2011 Yang D32/55
D693,081 S * 11/2013 Yang D32/55

D699,413 S * 2/2014 Huang D32/55
D706,510 S * 6/2014 Lerner D32/55
D776,385 S * 1/2017 Evans D32/55
D776,387 S * 1/2017 Chen D32/56
D783,216 S * 4/2017 Huang D32/55
D799,133 S * 10/2017 Wong D32/55
D819,289 S * 5/2018 Umholtz D32/55
D874,775 S * 2/2020 Xie D32/55
D887,098 S * 6/2020 Li D32/55

* cited by examiner

Primary Examiner — Austin Murphy

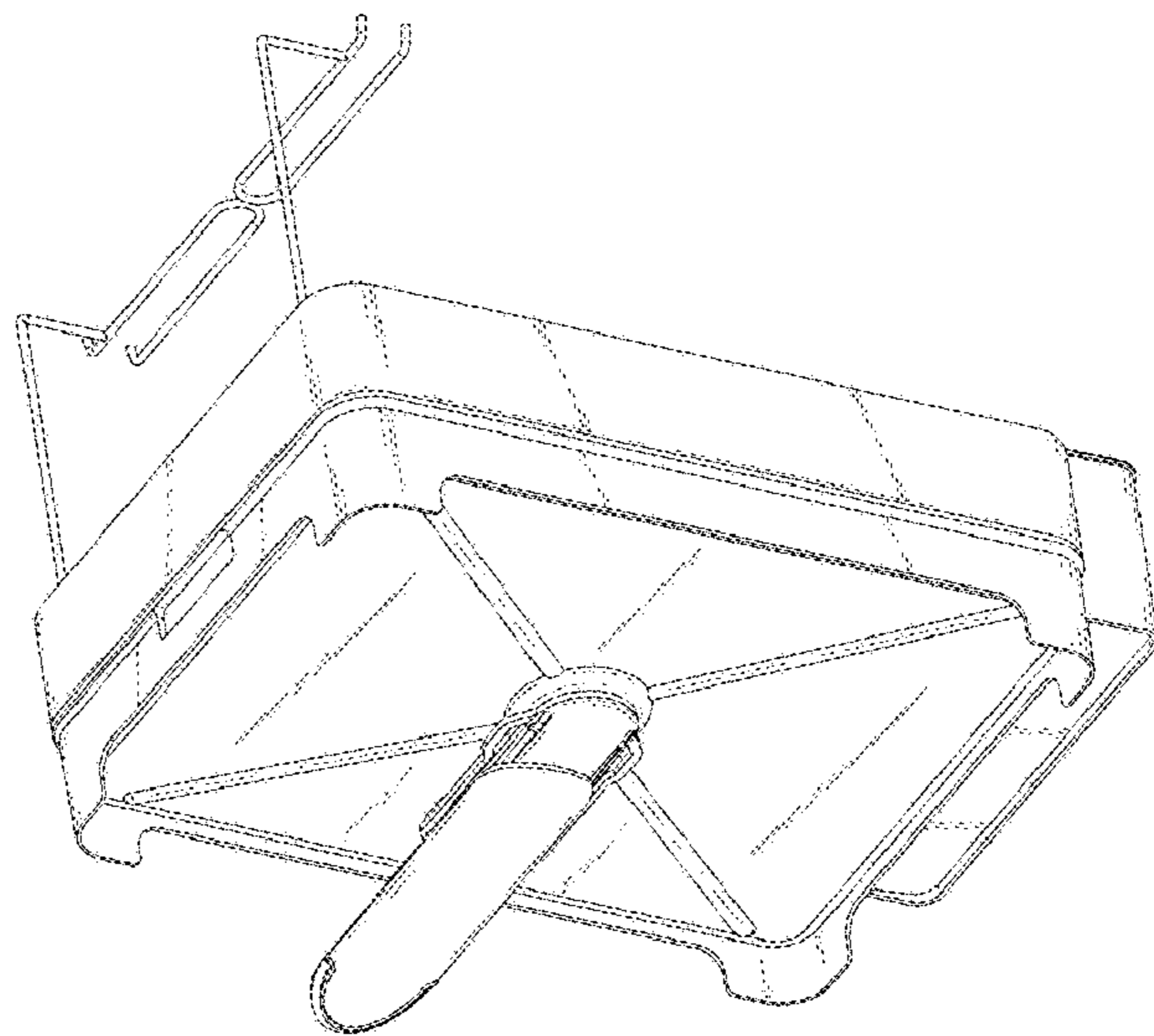
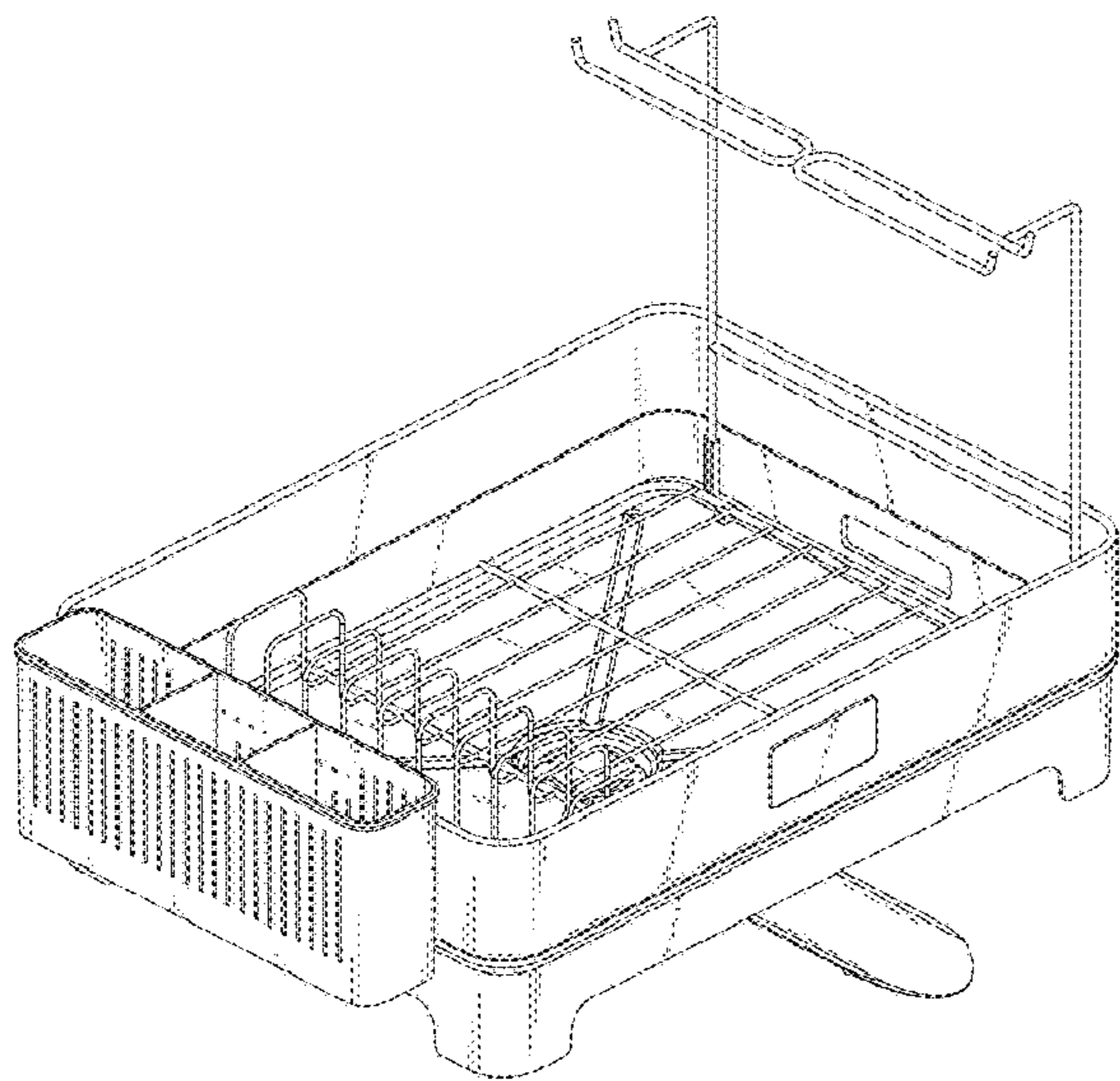
(57) **CLAIM**

The ornamental design for a dish rack with wine glass holder, as shown and described.

DESCRIPTION

FIG. 1 is a front, top perspective view of a dish rack with wine glass holder showing my new design;
FIG. 2 is a rear, bottom perspective view thereof;
FIG. 3 is a front elevational view thereof;
FIG. 4 is a rear elevational view thereof;
FIG. 5 is a left side elevational view thereof;
FIG. 6 is a right side elevational view thereof;
FIG. 7 is a top plan view thereof; and,
FIG. 8 is a bottom plan view thereof.

1 Claim, 8 Drawing Sheets



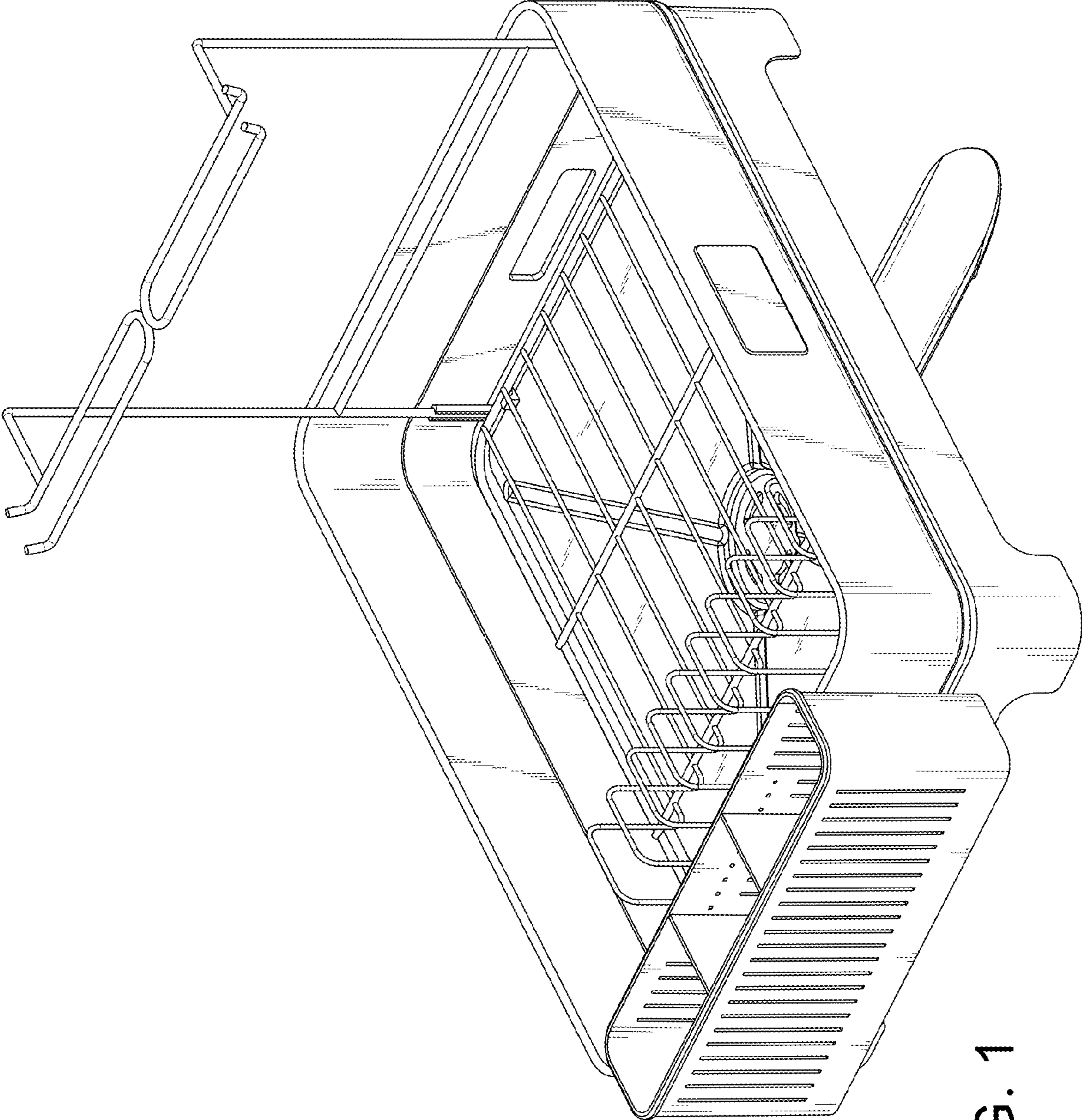


FIG. 1

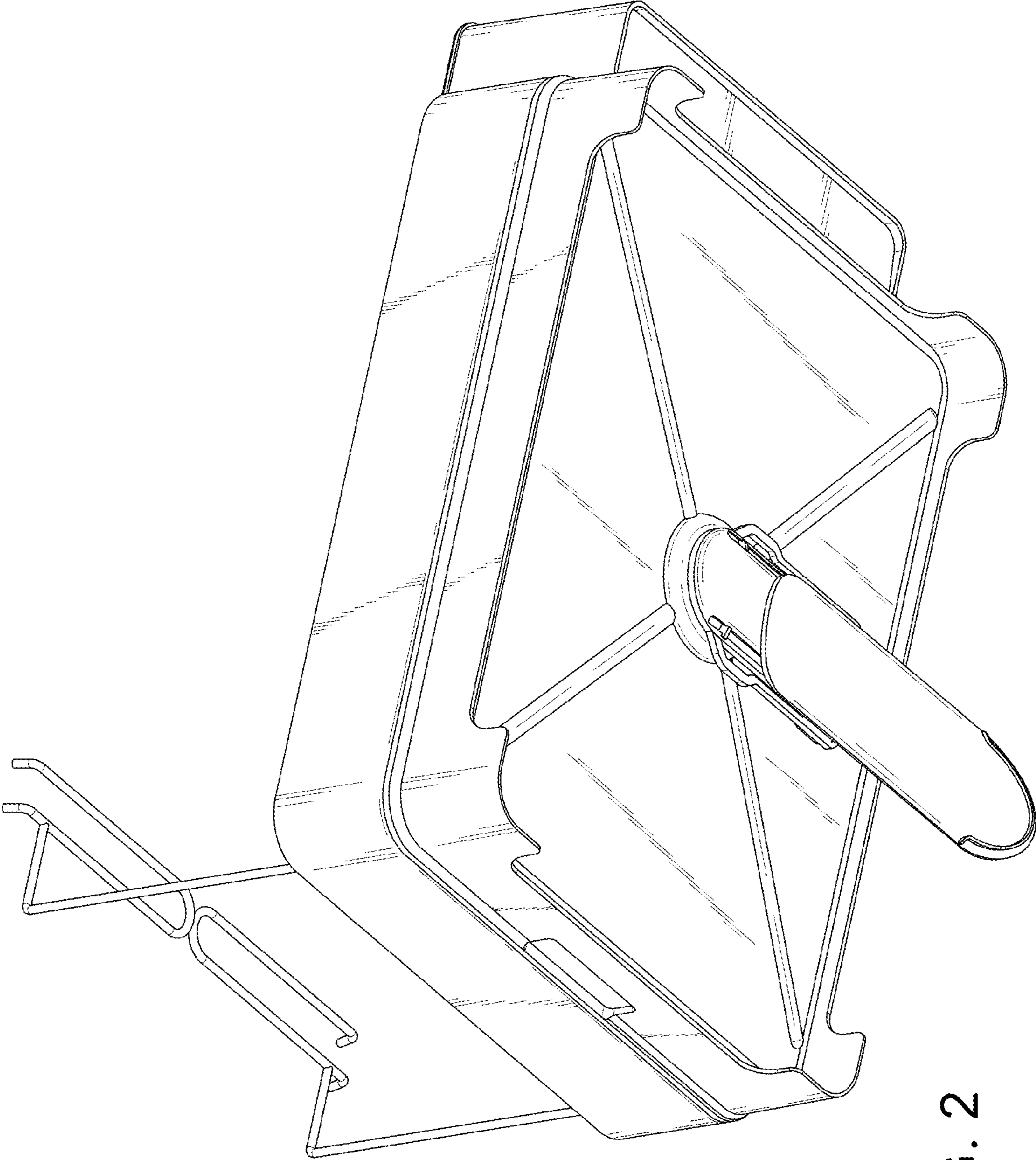


FIG. 2

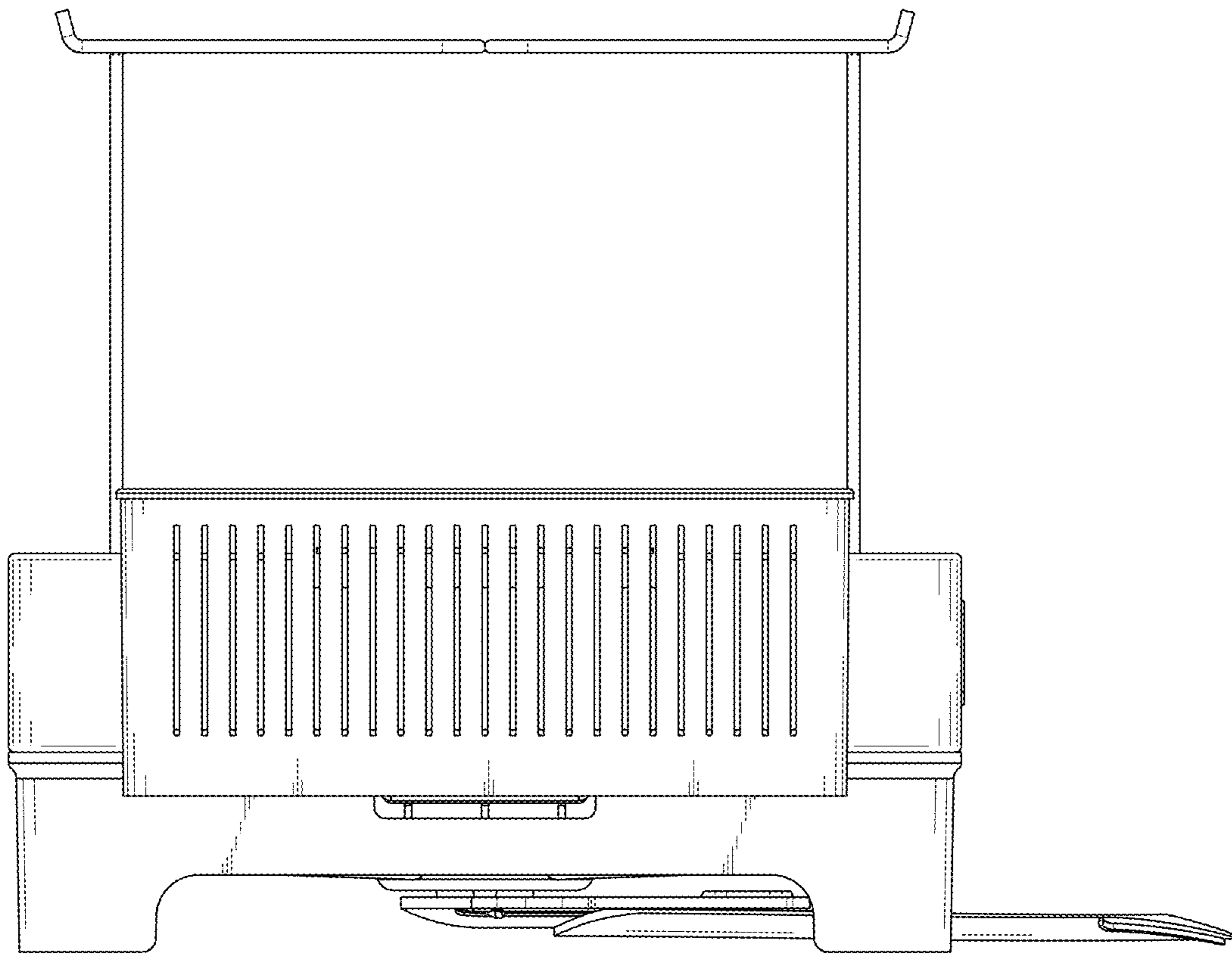


FIG. 3

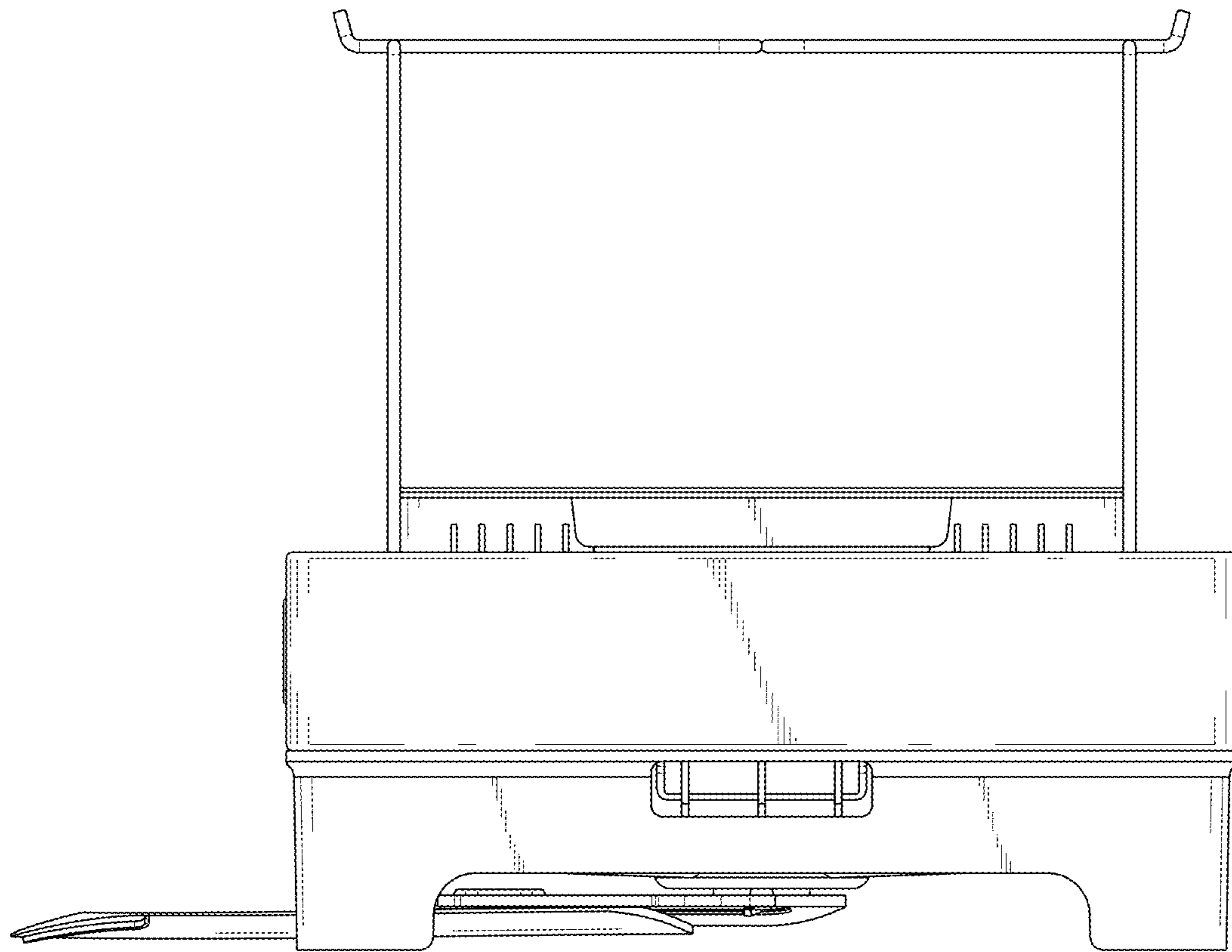


FIG. 4

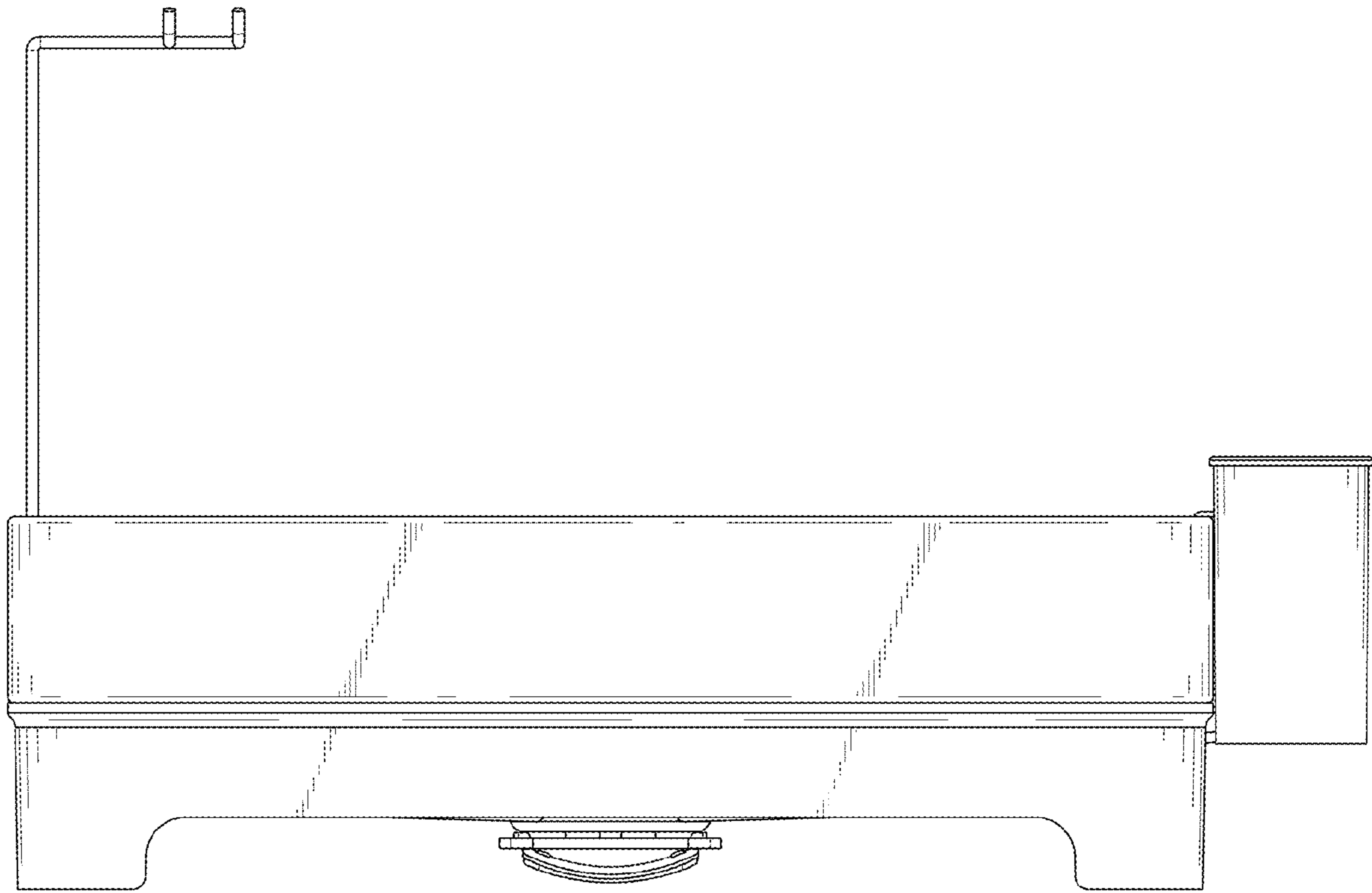


FIG. 5

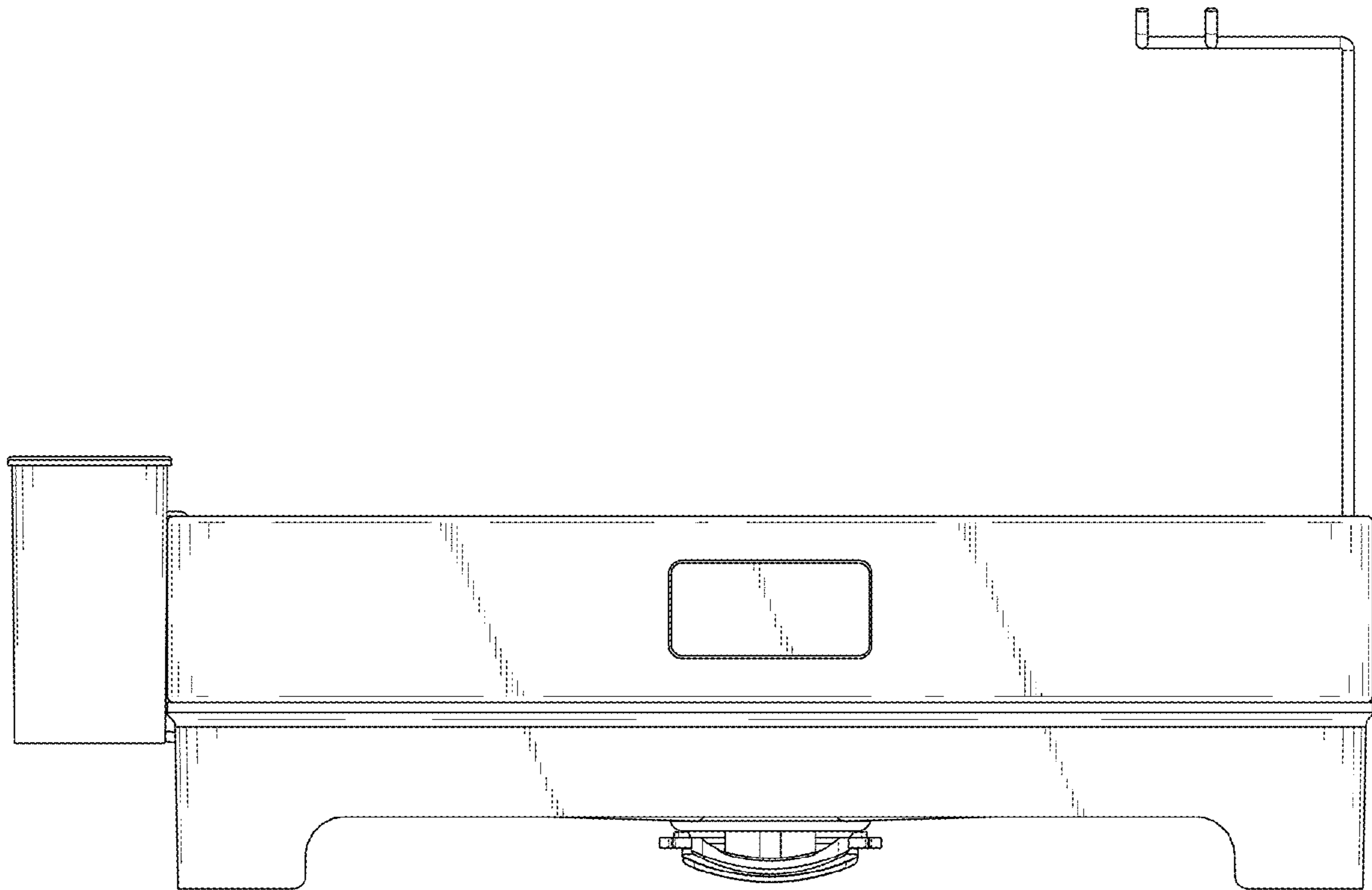


FIG. 6

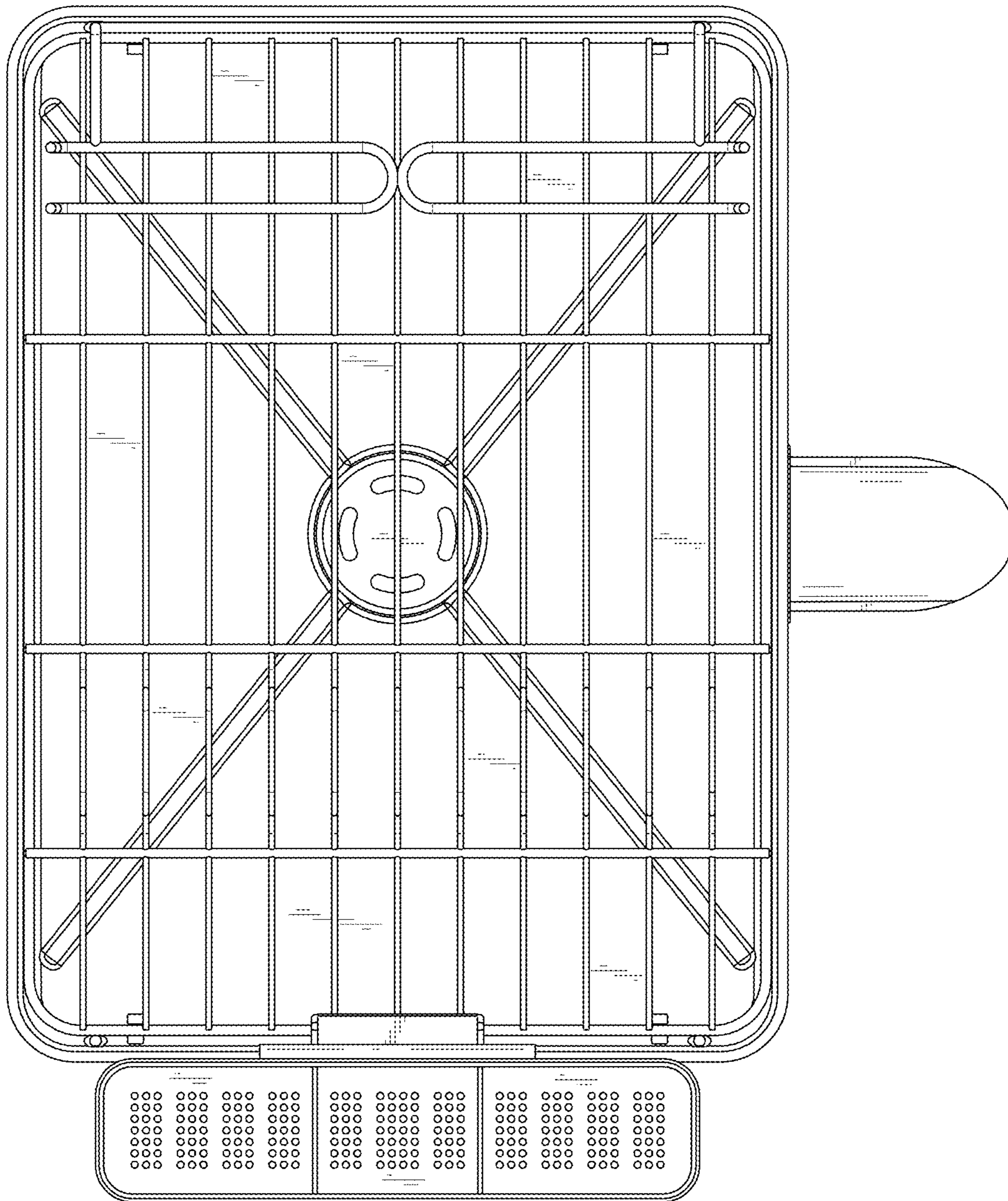


FIG. 7

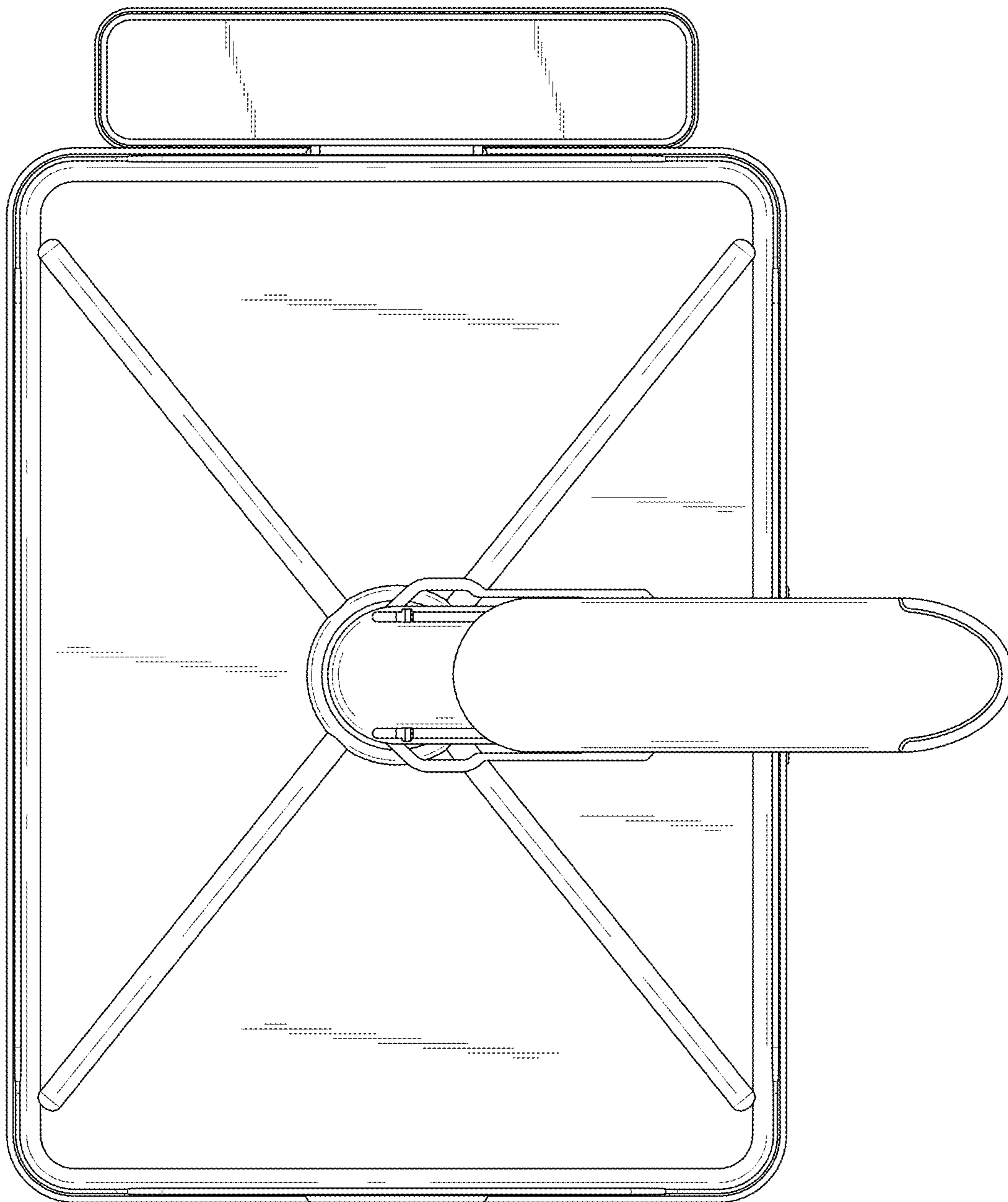


FIG. 8