



US00D915706S

(12) **United States Design Patent** (10) **Patent No.:** **US D915,706 S**
Blackledge (45) **Date of Patent:** **** Apr. 6, 2021**

(54) FLUID COLLECTOR	5,099,873 A *	3/1992	Sanchez	F25D 21/14 137/312
(71) Applicant: ARROW COUNTY SUPPLIES LIMITED , Shrewsbury (GB)	D325,660 S *	4/1992	Rapaz	D34/10
	D326,519 S *	5/1992	Drysdale	D24/121
	D337,190 S *	7/1993	Juergens	D34/10
(72) Inventor: Edward Blackledge , Shrewsbury (GB)	D338,758 S *	8/1993	Sexton	D34/1
	D359,826 S *	6/1995	Scarlett	D34/10
(73) Assignee: ARROW COUNTY SUPPLIES LIMITED , Shrewsbury (GB)	5,452,739 A *	9/1995	Mustee	A47L 15/4212 137/312
	D363,221 S *	10/1995	Puryear	D7/700
	D370,921 S *	6/1996	Hendrickson	D15/136
(**) Term: 15 Years	D402,169 S *	12/1998	Hestehave	D7/700
	6,622,750 B1 *	9/2003	Bergeron	E04B 9/00 137/15.11
(21) Appl. No.: 29/654,166	D536,852 S *	2/2007	Presnell	D34/1
(22) Filed: Jun. 21, 2018	7,331,357 B2 *	2/2008	Huff	E04B 9/00 137/312

(Continued)

(30) **Foreign Application Priority Data**

Dec. 21, 2017 (EM) 004559110-0001

(51) **LOC (13) Cl.** **07-05**

(52) **U.S. Cl.**
USPC **D32/54; D7/700; D15/150**

(58) **Field of Classification Search**
USPC D7/700; D32/53, 54; D34/7, 10;
D15/150, 152; D23/304
CPC ... B67C 11/02; B67C 11/00; Y10T 137/5762;
Y10T 137/5835
See application file for complete search history.

(56) **References Cited**

U.S. PATENT DOCUMENTS

1,554,589 A *	9/1925	Long	F16N 31/002 184/1.5
4,054,184 A *	10/1977	Marcinko	F16N 31/002 184/1.5
D248,637 S *	7/1978	Bishop	D15/152
D248,845 S *	8/1978	White	D15/152
D294,332 S *	2/1988	Harrison	D15/152
4,880,156 A *	11/1989	Wallet	F16N 31/002 232/43.1

OTHER PUBLICATIONS

Case Study ABM Group. Arrow County Supplies. Date accessed: Sep. 4, 2020. Retrieved from Internet: <https://www.arrowcounty.com/wp-content/uploads/2017/03/Arrow-Case-Study-ABM.pdf> (Year: 2020).*

Primary Examiner — Lilyana Bekic

(74) *Attorney, Agent, or Firm* — Donald E. Stout; Stout, Uxa & Buyan, LLP

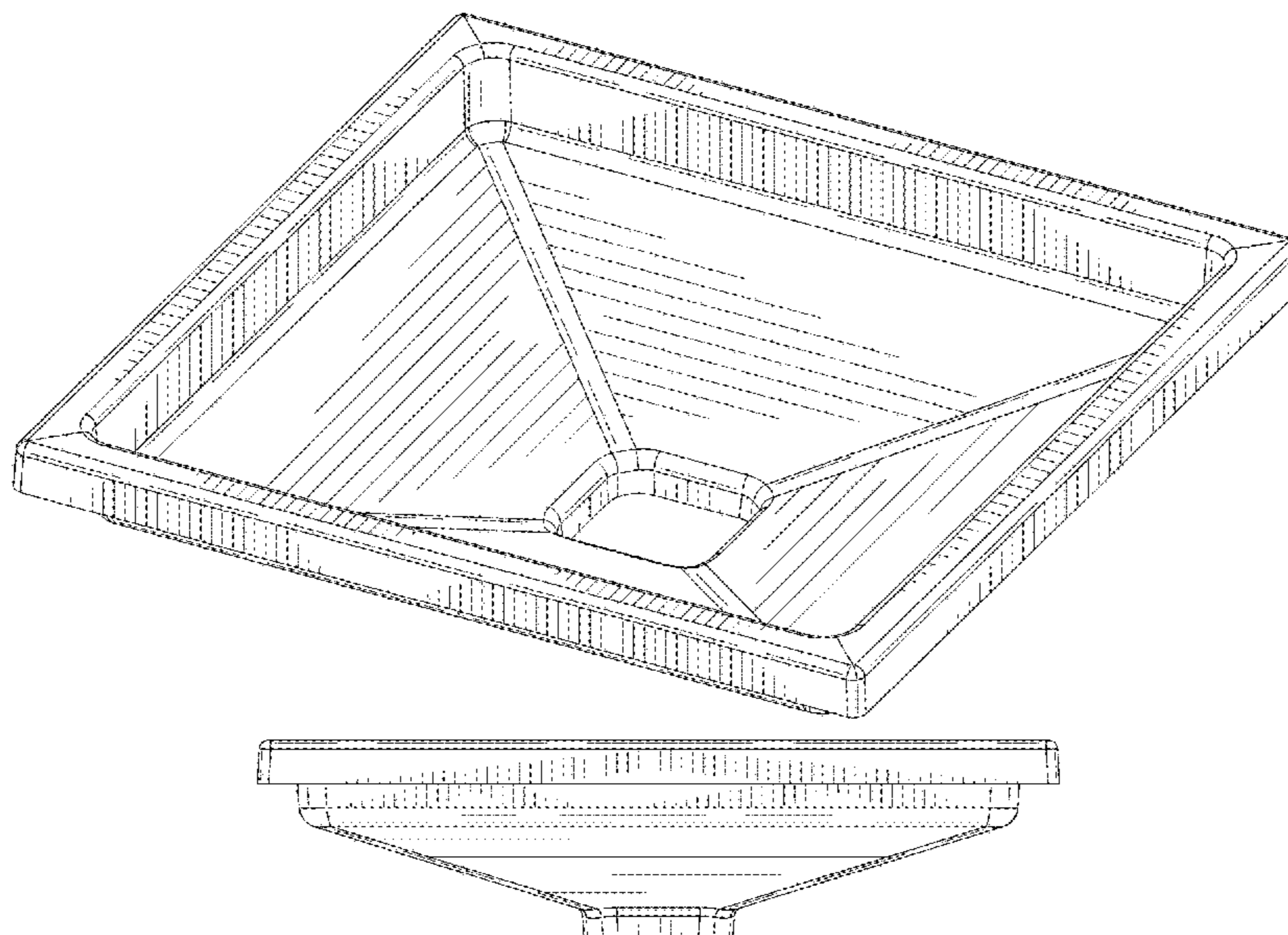
(57) **CLAIM**

The ornamental design for a fluid collector, as shown and described.

DESCRIPTION

FIG. 1 is an isometric view of the fluid collector showing the top of my new invention;
FIG. 2 is an isometric view showing the bottom of the fluid collector illustrated in FIG. 1;
FIG. 3 is a top view of the fluid collector of FIGS. 1-2; and,
FIG. 4 is a side elevation of the fluid collector of FIGS. 1-3.

1 Claim, 3 Drawing Sheets



(56)

References Cited

U.S. PATENT DOCUMENTS

7,954,505 B2 * 6/2011 Odachowski E04H 9/145
137/15.11
8,141,182 B2 * 3/2012 Cook A47K 4/00
4/613
D672,850 S * 12/2012 Adams D23/304
D706,913 S * 6/2014 Toms D23/304
8,789,316 B2 * 7/2014 Cook A47K 3/30
52/35
D758,572 S * 6/2016 Rodewald D24/121
9,637,368 B1 * 5/2017 Fox B67C 11/02
D836,758 S * 12/2018 Rocandio Mazagatos .. D23/304
2009/0227969 A1 * 9/2009 Jaeb A61M 1/0049
604/313
2011/0240140 A1 * 10/2011 McDonald E04G 21/28
137/312
2014/0083521 A1 * 3/2014 McMillen F15B 20/005
137/312
2017/0164791 A1 * 6/2017 Provence B29C 51/08

* cited by examiner

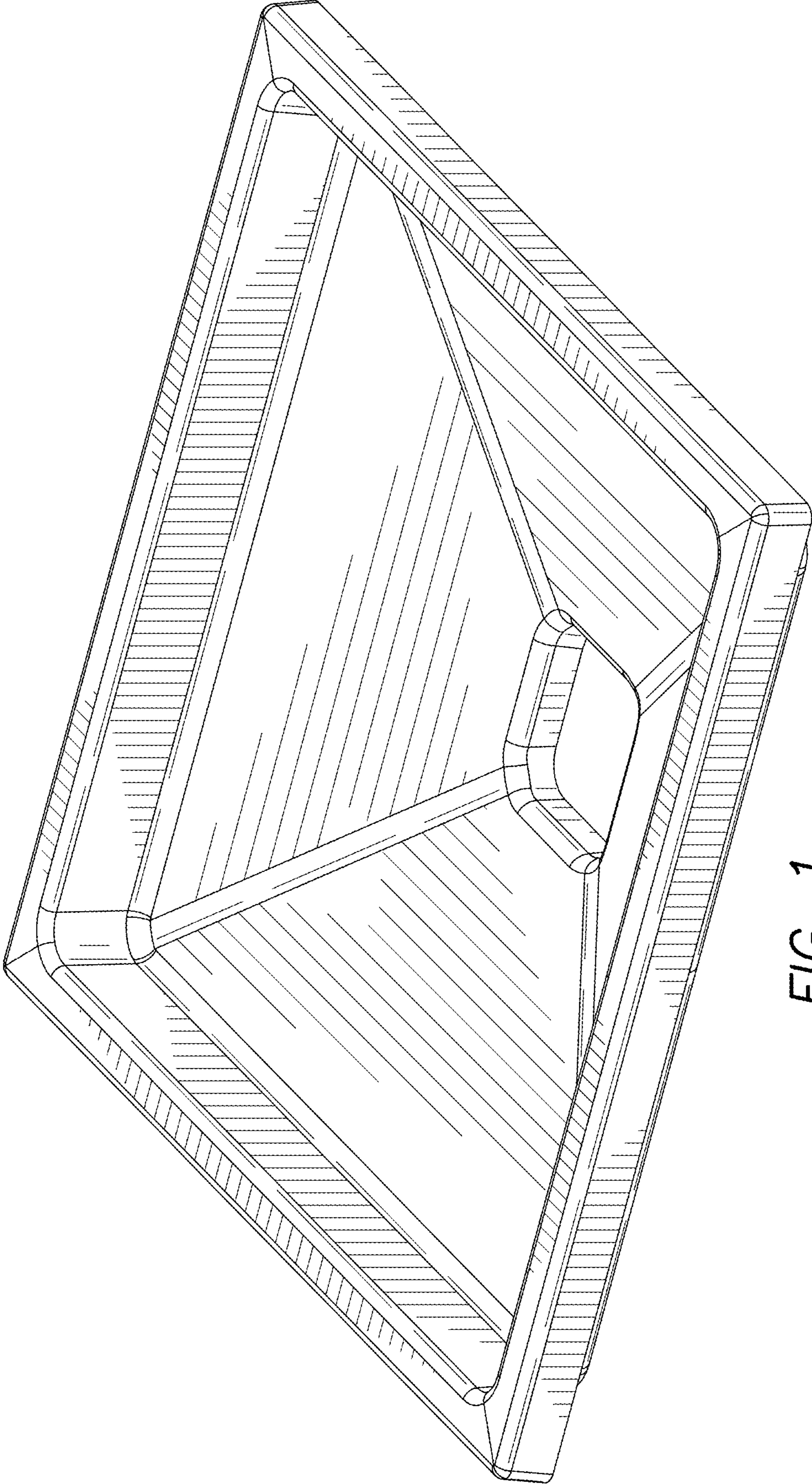


FIG. 1

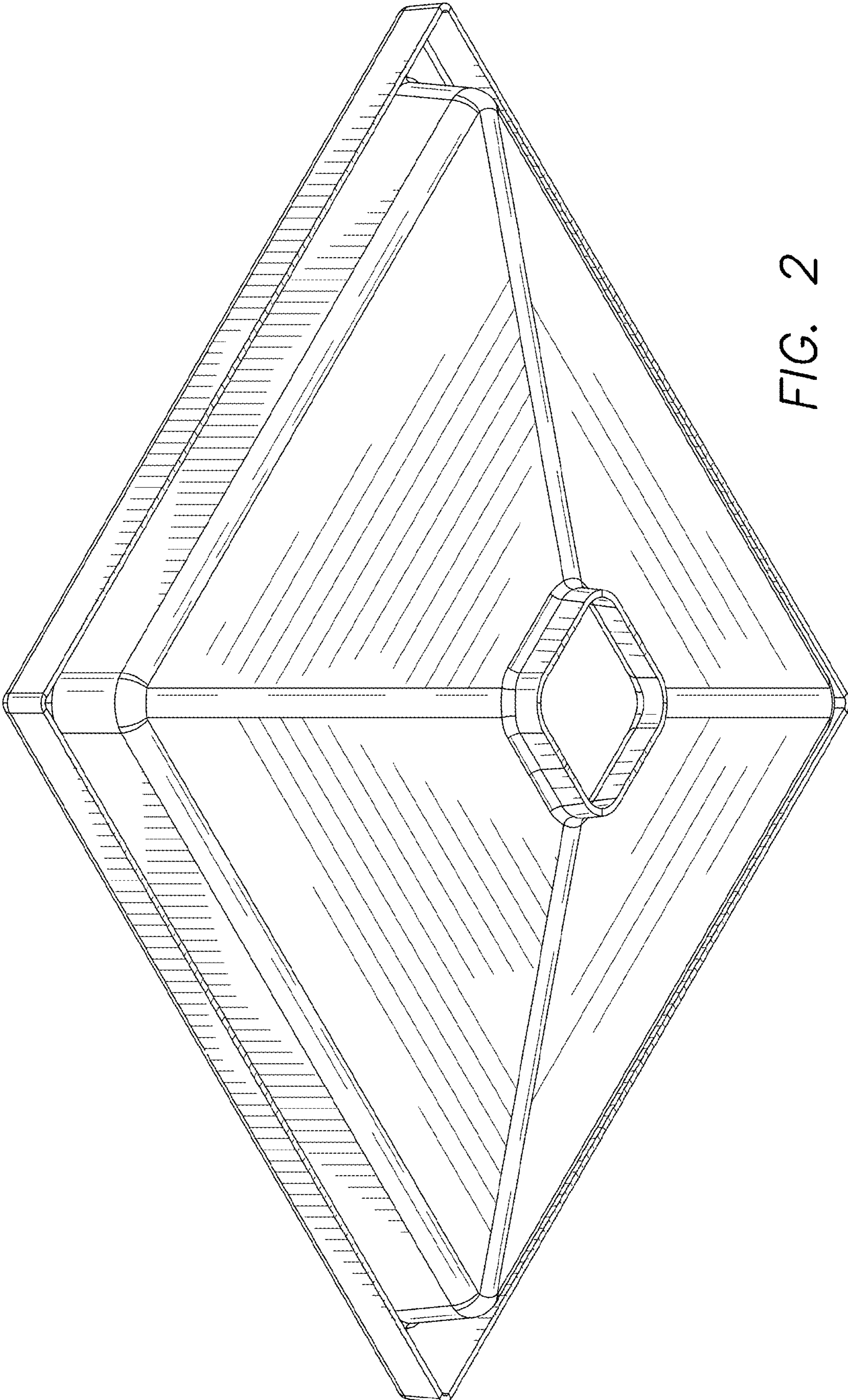


FIG. 2

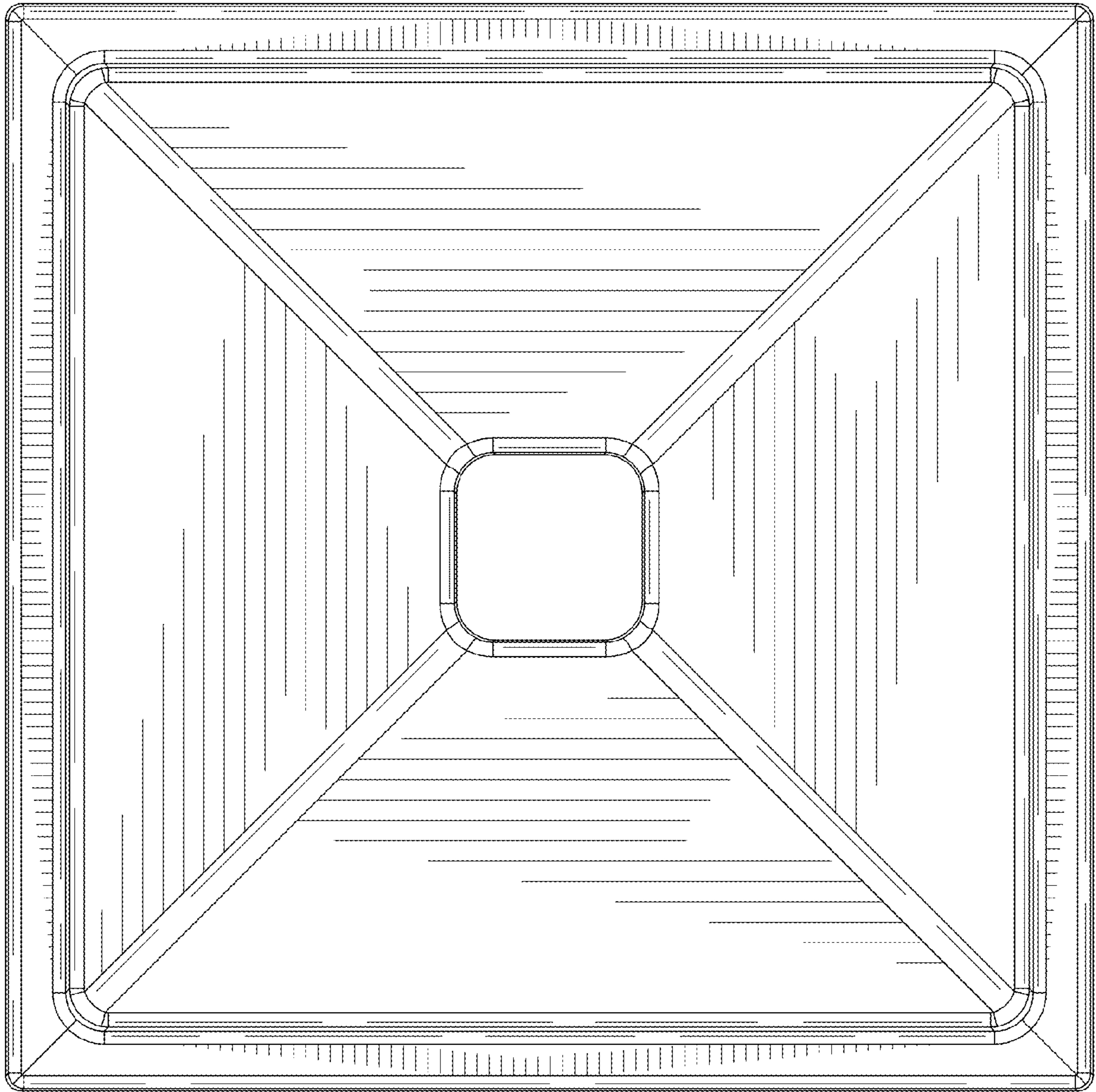


FIG. 3

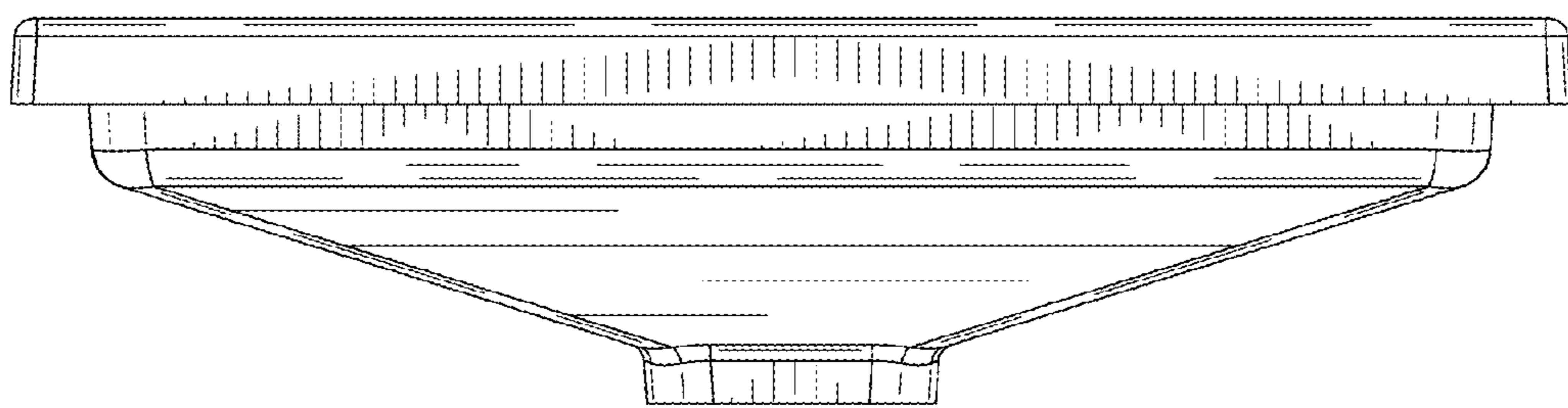


FIG. 4