



US00D915705S

(12) **United States Design Patent**
Cai et al.

(10) **Patent No.:** **US D915,705 S**
(45) **Date of Patent:** **** Apr. 6, 2021**

- (54) **MOP BUCKET LID**
- (71) Applicant: **Endliss Technology, Inc.**, Hayward, CA (US)
- (72) Inventors: **Sen Cai**, Hayward, CA (US);
Weiguang Huang, Hayward, CA (US)
- (73) Assignee: **Endliss Technology, Inc.**, Hayward, CA (US)

(**) Term: **15 Years**

(21) Appl. No.: **29/713,268**

(22) Filed: **Nov. 14, 2019**

(51) **LOC (13) Cl.** **07-05**

(52) **U.S. Cl.**
USPC **D32/53**

(58) **Field of Classification Search**
USPC D32/53, 53.1, 54
CPC A47L 13/59; A47L 13/12; A47L 13/58;
A47J 47/18; B44D 3/128; B44D 3/12;
B44D 3/126; B65D 35/22; B65D 25/14
See application file for complete search history.

(56) **References Cited**

U.S. PATENT DOCUMENTS

- 1,722,130 A * 7/1929 Finstad A47L 13/58
15/263
- D255,976 S * 7/1980 Maza D32/54
- D362,941 S * 10/1995 Delmerico D32/53
- 5,983,441 A * 11/1999 Williams A47L 13/58
15/260
- 6,065,175 A * 5/2000 Tejerina A47L 13/12
15/116.1
- 6,389,638 B1 * 5/2002 Dickinson A47L 13/59
15/261
- 6,671,923 B2 * 1/2004 Gromnicki A47L 13/59
15/261
- D499,223 S * 11/2004 Libman D32/53

- D518,262 S * 3/2006 Jurgens D32/53
- D525,404 S * 7/2006 Petner D32/53
- 7,318,247 B2 * 1/2008 Libman A47J 47/18
15/260
- D578,263 S * 10/2008 Pho D32/53
- D632,446 S * 2/2011 Tseng D32/53
- D641,116 S * 7/2011 Jones D32/53
- D643,982 S * 8/2011 Franklin D32/53
- D645,628 S * 9/2011 Tseng D32/53
- D693,080 S * 11/2013 Shao D32/53
- D723,757 S * 3/2015 Lentine D32/53
- D723,758 S * 3/2015 Lentine D32/53
- D727,580 S * 4/2015 Lentine D32/53

(Continued)

OTHER PUBLICATIONS

Bucket for Flat Mop <https://www.yoybuy.com/pd/loMzhHIBbZ1MBMb9493q.html> (Year: 2020).*

(Continued)

Primary Examiner — Michelle E. Wilson
Assistant Examiner — Richard E Yenchesky
(74) *Attorney, Agent, or Firm* — Bishop, Diehl & Lee, Ltd.

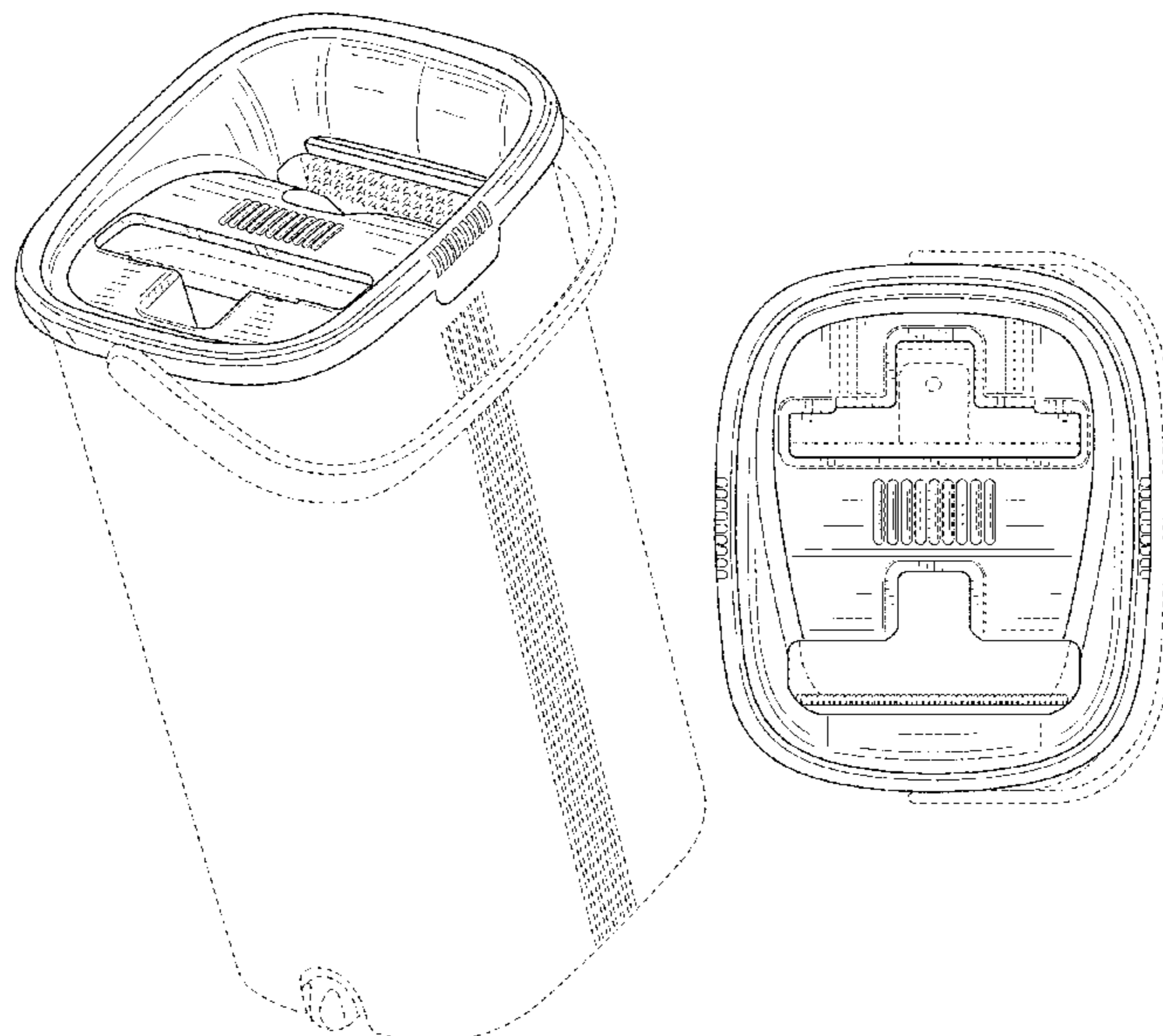
(57) **CLAIM**

The ornamental design for a mop bucket lid, as shown and described.

DESCRIPTION

FIG. 1 is a perspective view of a mop bucket lid mounted on a bucket showing the new design;
FIG. 2 is a front view of the mop bucket lid thereof;
FIG. 3 is a back view of the mop bucket lid thereof;
FIG. 4 is a left-side view mop bucket lid thereof;
FIG. 5 is a right-side view of the mop bucket lid thereof;
FIG. 6 is a top view of the mop bucket view thereof; and,
FIG. 7 is a bottom view of the mop bucket lid removed from the bucket.

1 Claim, 5 Drawing Sheets



(56)

References Cited

U.S. PATENT DOCUMENTS

D728,882 S * 5/2015 Tsai A47L 13/59
D32/53
D741,561 S * 10/2015 Zeng D32/53
D748,880 S * 2/2016 Lentine D32/53
D756,582 S * 5/2016 Libman D32/53
D789,638 S * 6/2017 Rueckheim D32/53
D804,125 S * 11/2017 Rueckheim D32/53
D818,235 S * 5/2018 Luedke D32/53
D907,317 S * 1/2021 Zhang D32/53

OTHER PUBLICATIONS

Smart Wet and Dry Squeeze Mop Bucket <https://imall.com/product/Smart-Wet-Dry-Squeeze-Mop-Bucket-with-Cleaning-Floor-Self-System-Hand-Free-Wringing-Stainless-Steel-Mops/Home-Garden-Household-Tools/aliexpress.com/4000056342368/567-30021062/en> (Year: 2020).*

* cited by examiner

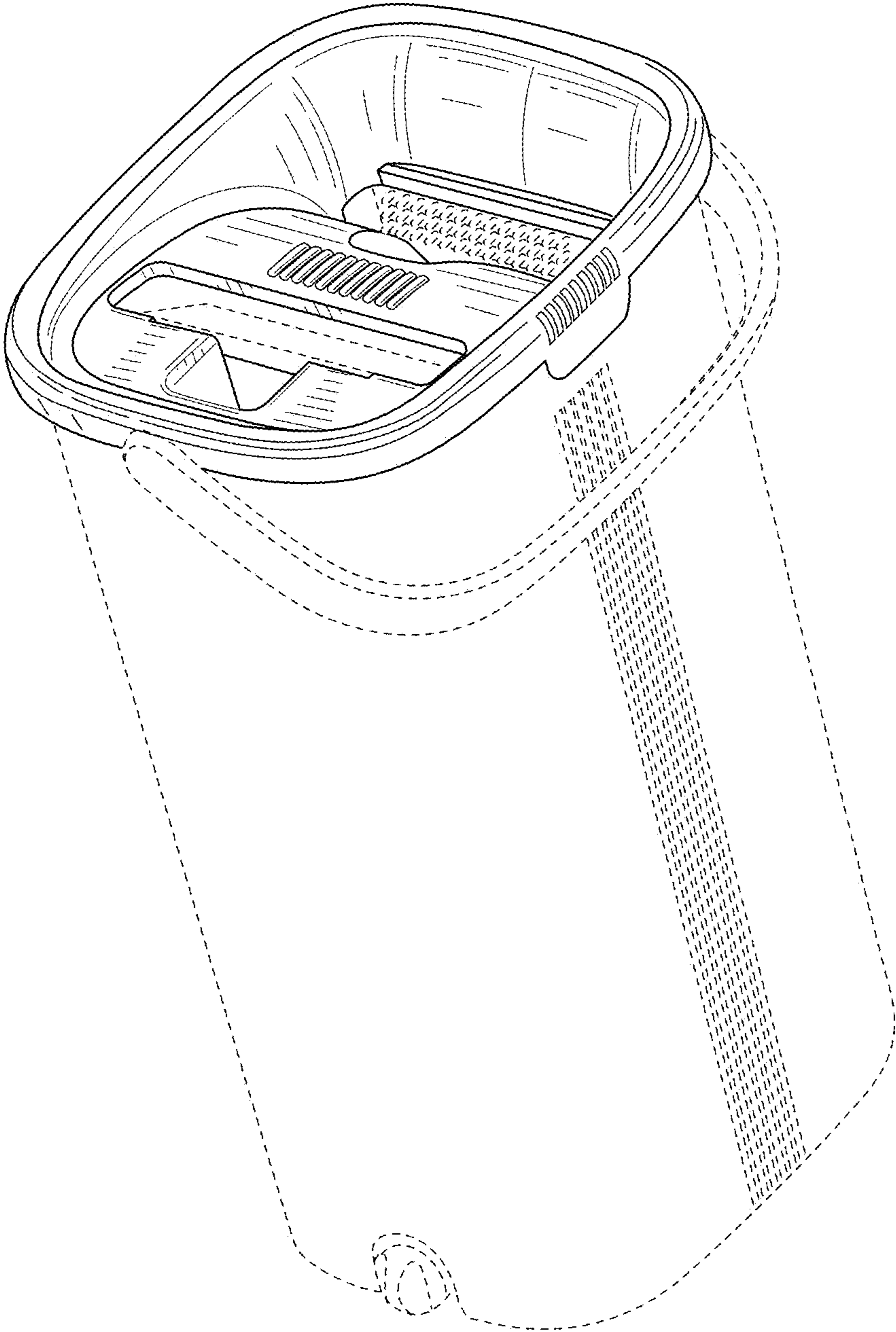


FIG. 1

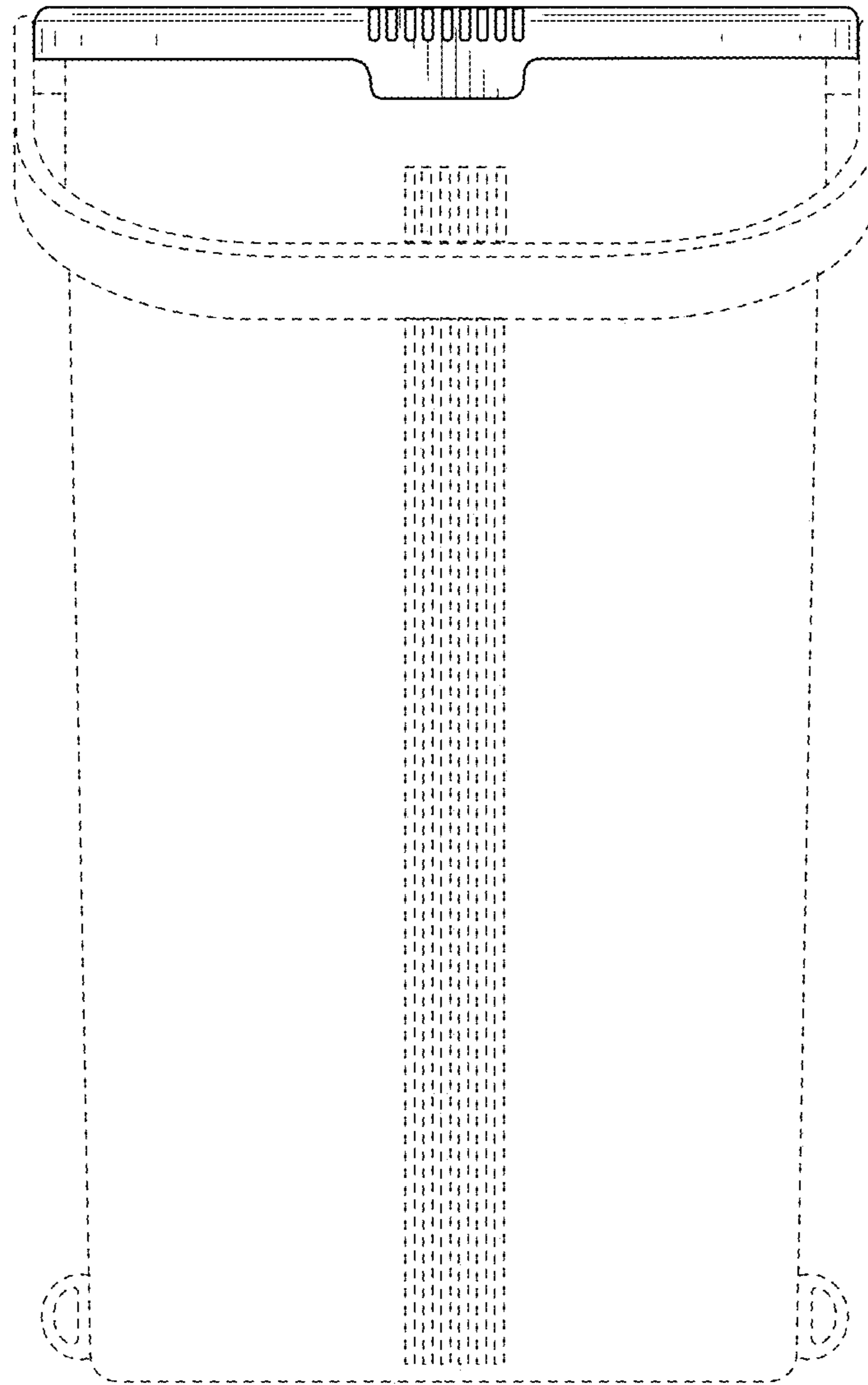


FIG. 2

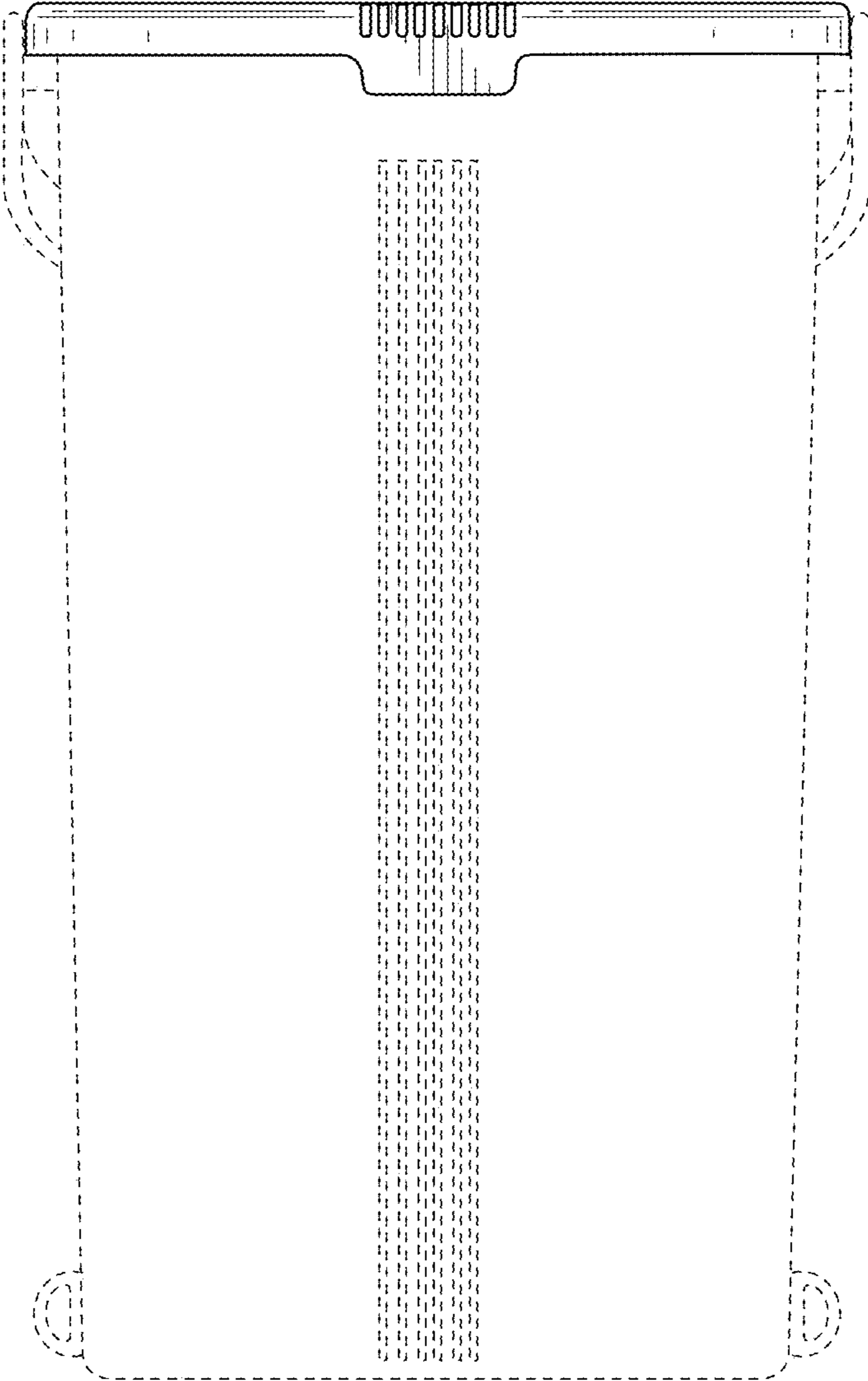


FIG. 3

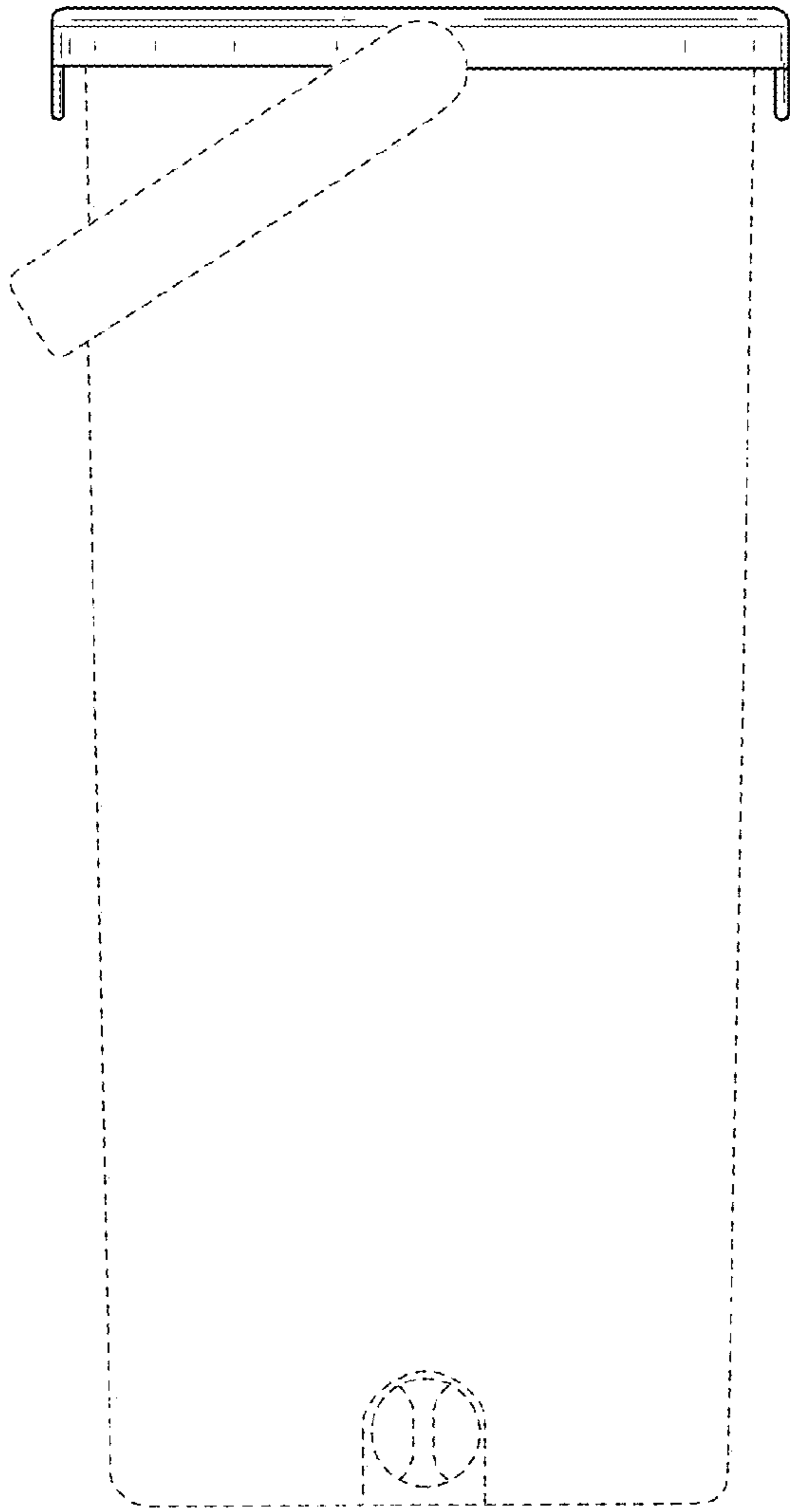


FIG. 4

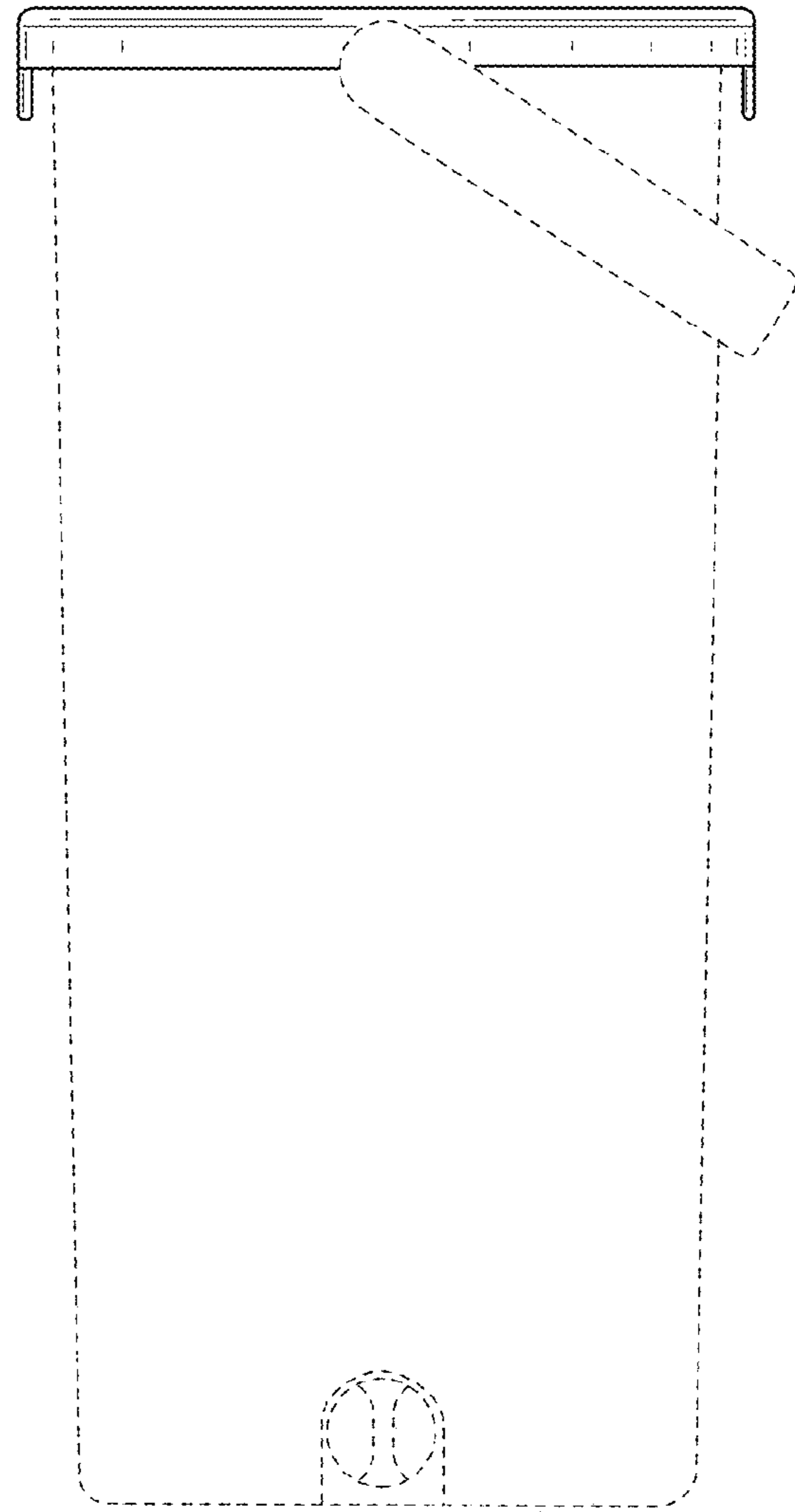


FIG. 5

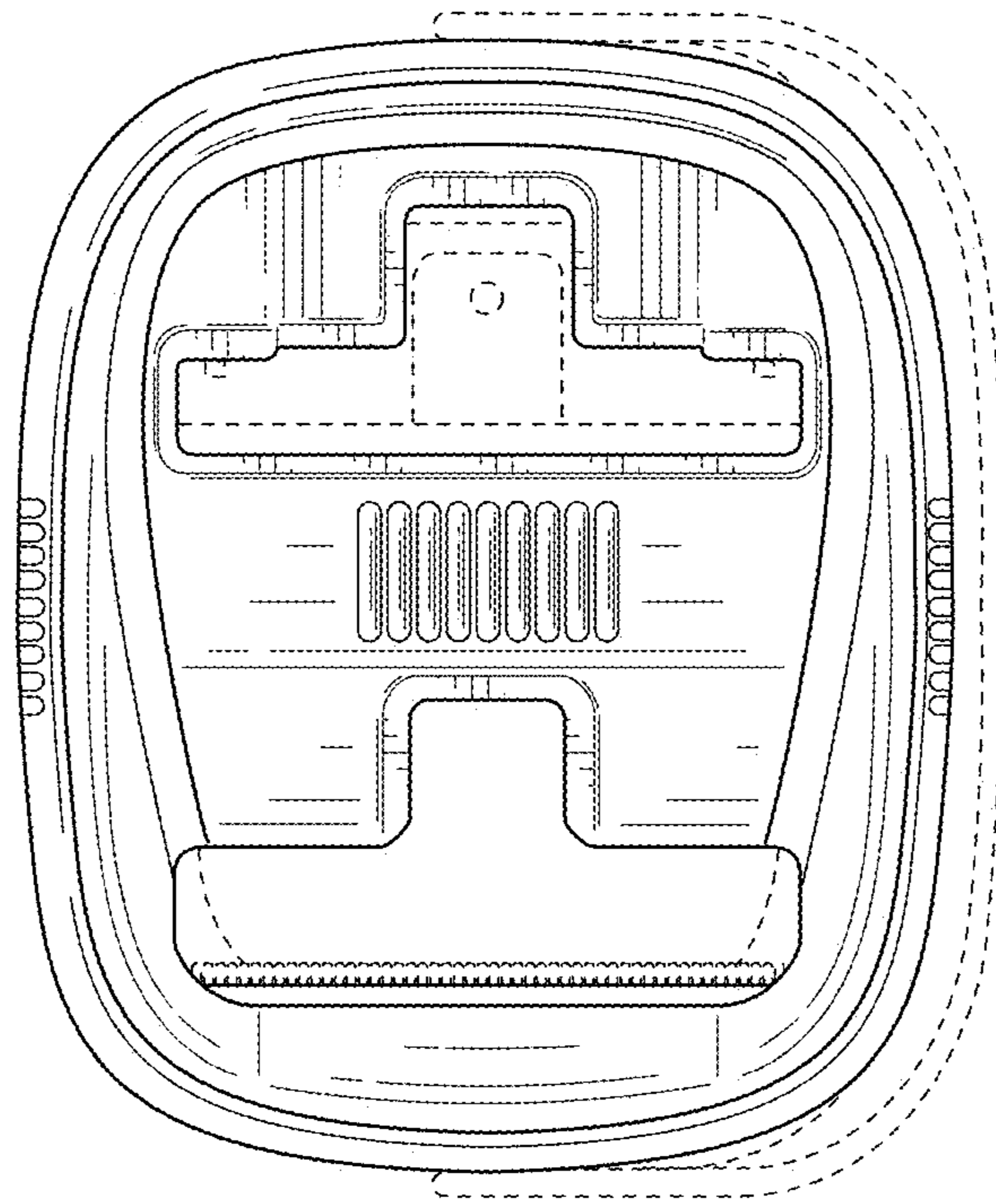


FIG. 6

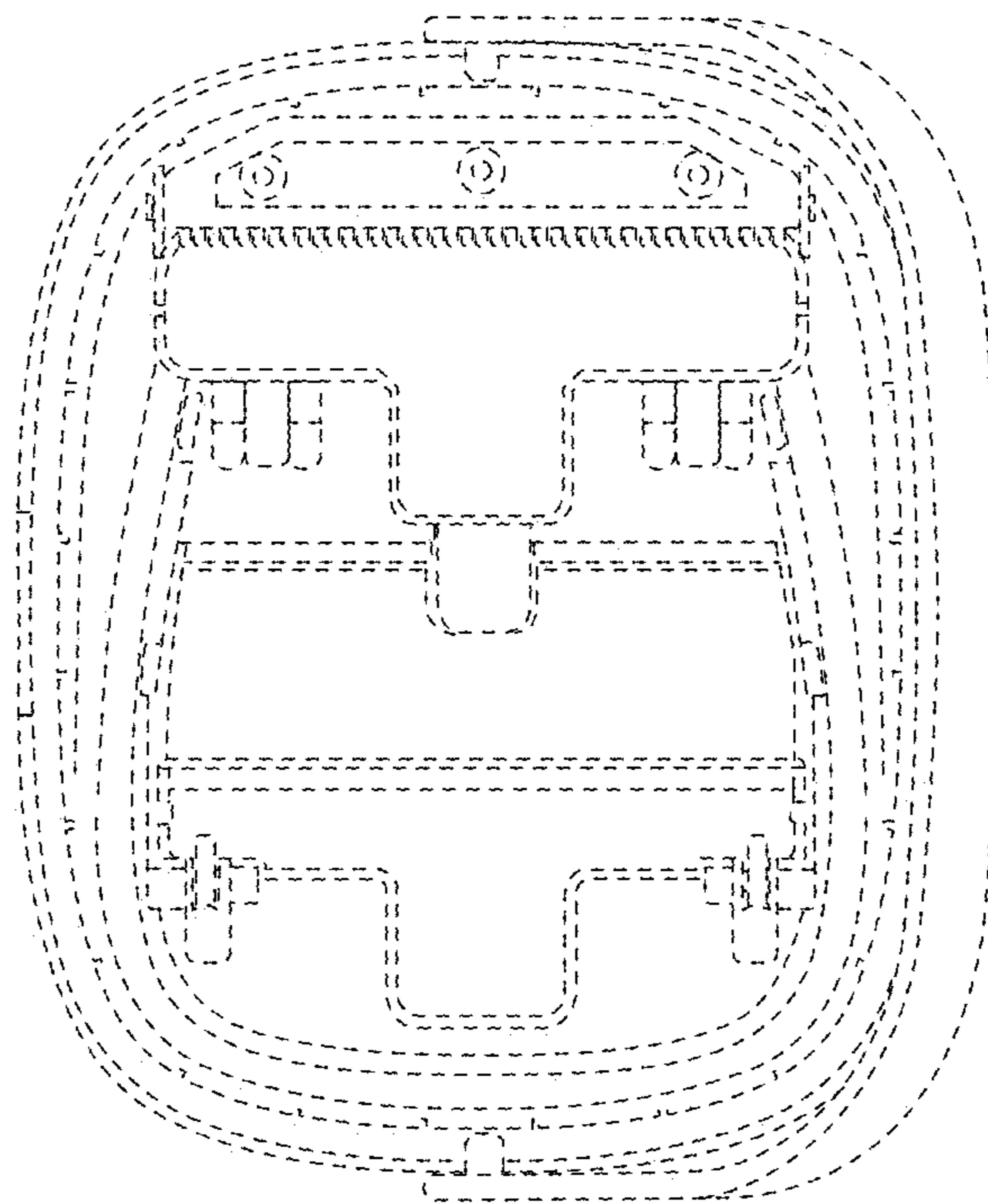


FIG. 7