



US00D915704S

(12) **United States Design Patent** (10) **Patent No.:** **US D915,704 S**
Fuller et al. (45) **Date of Patent:** **** Apr. 6, 2021**

(54) **MOP FRAME CONNECTOR**

(71) Applicant: **CHIEF MANUFACTURING, INC.**,
Thomaston, GA (US)
(72) Inventors: **Daniel T. Fuller**, Thomaston, GA (US);
Terrance M. Renfro, Thomaston, GA
(US); **Christopher M. Bennett**,
Thomaston, GA (US)
(73) Assignee: **CHIEF MANUFACTURING, INC.**,
Thomaston, GA (US)

(**) Term: **15 Years**

(21) Appl. No.: **29/706,141**

(22) Filed: **Sep. 18, 2019**

(51) **LOC (13) Cl.** **07-05**

(52) **U.S. Cl.**
USPC **D32/50**

(58) **Field of Classification Search**
USPC D32/40-44, 46, 49-52; D4/104, 134,
D4/138; D30/158-159; D8/394-395
CPC A47L 17/00; A47L 13/20; A47L 13/252;
A47L 13/24; A46D 3/00; A46B 9/00;
B08B 9/08; A61B 18/14
See application file for complete search history.

(56) **References Cited**

U.S. PATENT DOCUMENTS

1,121,008 A * 12/1914 Glass A47L 13/252
15/229.7
1,298,037 A * 3/1919 Gooldy A47L 13/252
15/229.7
1,414,036 A * 4/1922 Meinhardt A47L 13/252
15/229.7
1,467,086 A * 9/1923 Blomstrom A47L 13/46
15/147.2

(Continued)

FOREIGN PATENT DOCUMENTS

KR 301065357.0000 * 7/2020

OTHER PUBLICATIONS

AmazonCommercial Dust Mop Frame, Amazon reviews 2020,
https://www.amazon.com/AmazonCommercial-Dust-Mop-Frame-24-Inch/dp/B07V7HPF4F/ref=cm_cr_arp_d_product_top?ie=UTF8, site visited Nov. 19, 2020.*

Primary Examiner — John R Yeh
(74) *Attorney, Agent, or Firm* — Vorys, Sater, Seymour
and Pease LLP

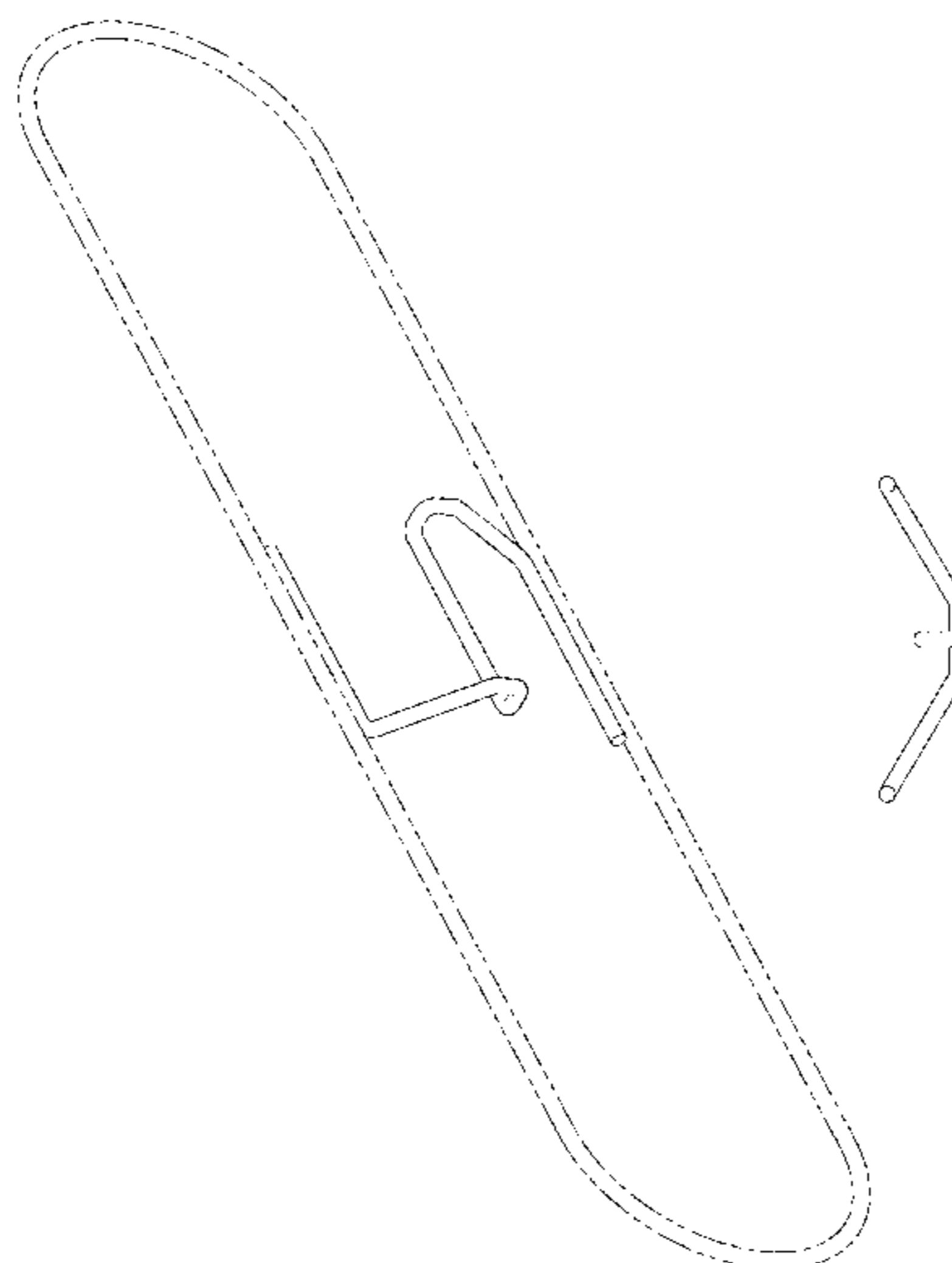
(57) **CLAIM**

The ornamental design for a mop frame connector, as shown
and described.

DESCRIPTION

FIG. 1 is a perspective view of a first embodiment for a new
design for a mop frame connector shown in an environment
of use;
FIG. 2 is a rear elevation view thereof;
FIG. 3 is a left side elevation view thereof;
FIG. 4 is a top plan view thereof;
FIG. 5 is a right side elevation view thereof;
FIG. 6 is a front elevation view thereof;
FIG. 7 is a bottom plan view thereof;
FIG. 8 is a another perspective view without environment
thereof;
FIG. 9 is a perspective view of a second embodiment for a
new design for a mop frame connector shown in an envi-
ronment of use;
FIG. 10 is a rear elevation view thereof;
FIG. 11 is a left side elevation view thereof;
FIG. 12 is a top plan view thereof;
FIG. 13 is a right side elevation view thereof;
FIG. 14 is a front elevation view thereof;
FIG. 15 is a bottom plan view thereof; and,
FIG. 16 is a perspective view another perspective view
without environment thereof.
The broken lines illustrate environment of the mop frame
connector and forms no part of the claimed design.

1 Claim, 4 Drawing Sheets



(56)

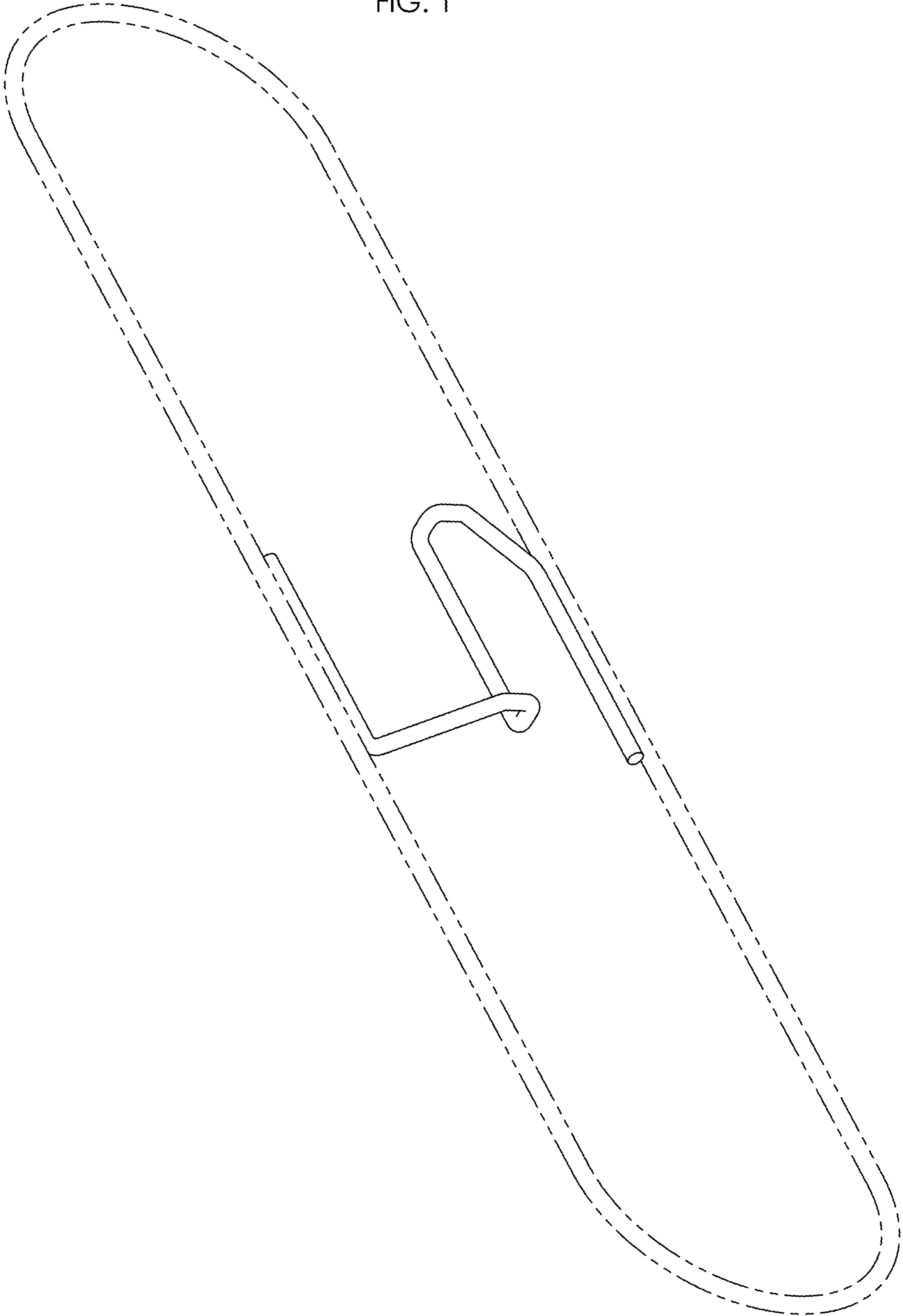
References Cited

U.S. PATENT DOCUMENTS

1,489,919	A *	4/1924	Bronson	A47L 13/252	
						15/229.7
1,551,289	A *	8/1925	Dohnal	A47L 13/252	
						15/143.1
1,588,208	A *	6/1926	Sturgis	A47L 13/252	
						15/229.8
1,588,264	A *	6/1926	Prendergast	A47L 13/252	
						15/229.1
1,989,978	A *	2/1935	Gradinger	A47L 13/252	
						15/147.1
2,261,449	A *	11/1941	Petty	A47L 13/252	
						15/147.2
2,269,809	A *	1/1942	Chandler	A47L 13/252	
						15/147.2
2,327,551	A *	8/1943	Petty	A47L 13/252	
						15/147.2
2,846,707	A *	8/1958	Strand	A47L 13/255	
						15/147.2
D206,933	S *	2/1967	Gibbs	D32/50	
D233,400	S *	10/1974	North	D32/50	
D299,386	S *	1/1989	Jacobs	D4/104	
D433,930	S *	11/2000	Kalat	D8/395	
D434,310	S *	11/2000	Kalat	D8/395	
D438,782	S *	3/2001	Kalat	D8/370	
6,237,182	B1 *	5/2001	Cassar	A46B 5/0066	
						15/144.1
D457,931	S *	5/2002	Kalat	D21/776	
D552,980	S *	10/2007	Svedberg	D8/395	
D629,983	S *	12/2010	Sgroi, Jr.	D32/40	
D699,556	S *	2/2014	Hendricks	D8/394	
2001/0029640	A1 *	10/2001	Cassar	B25G 3/38	
						15/144.1

* cited by examiner

FIG. 1



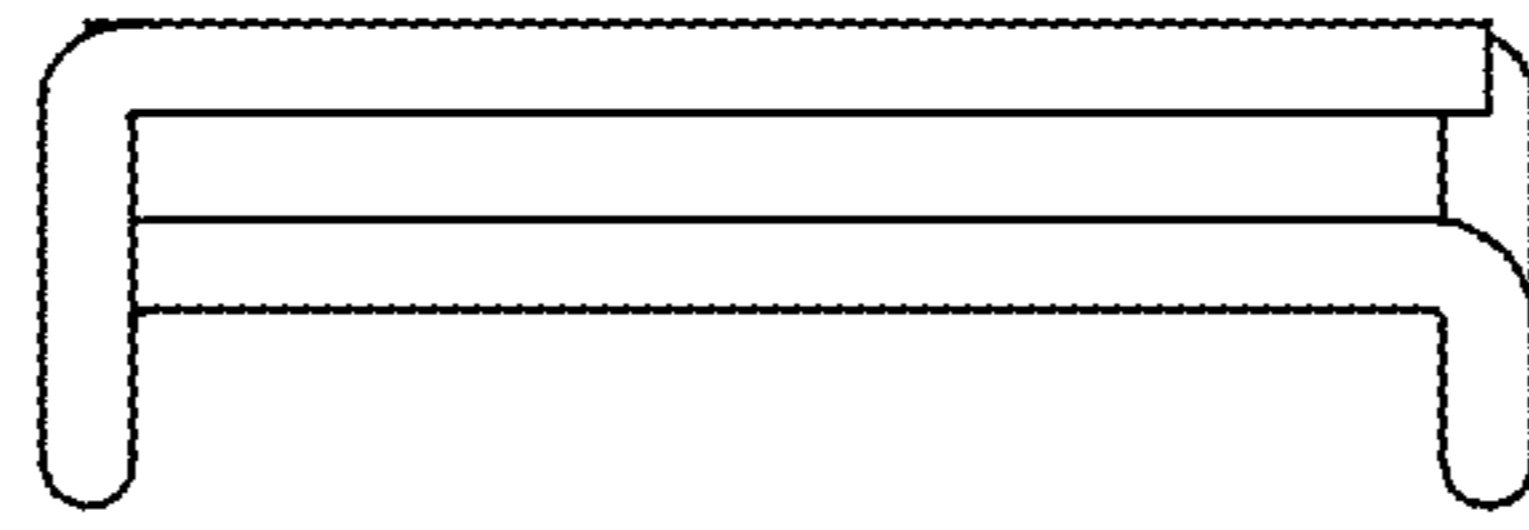


FIG. 2

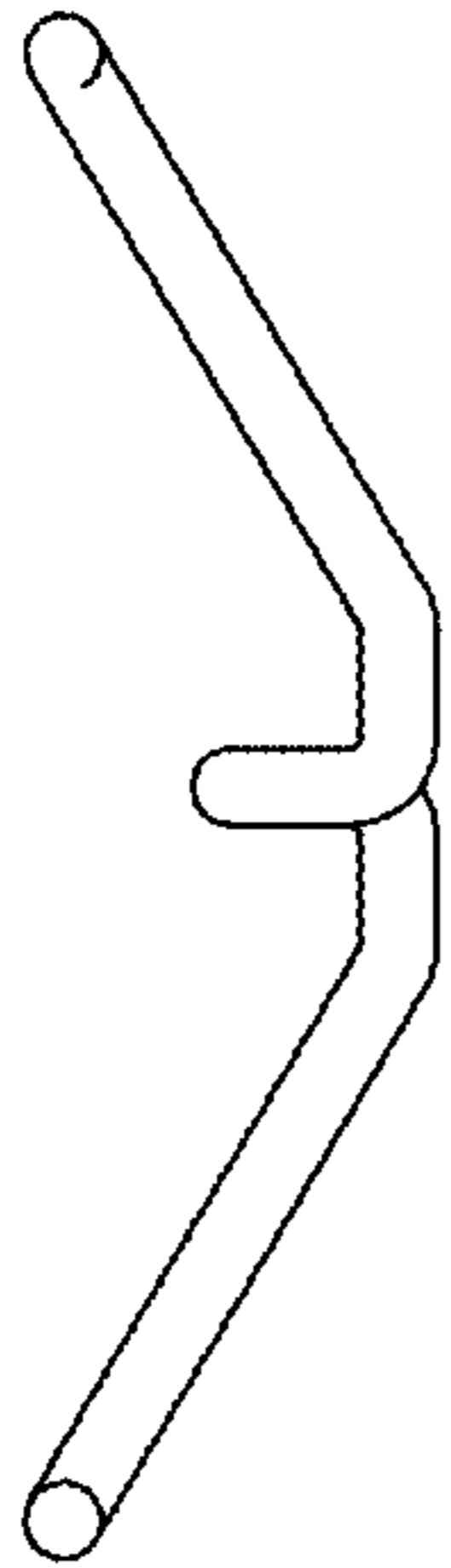


FIG. 3

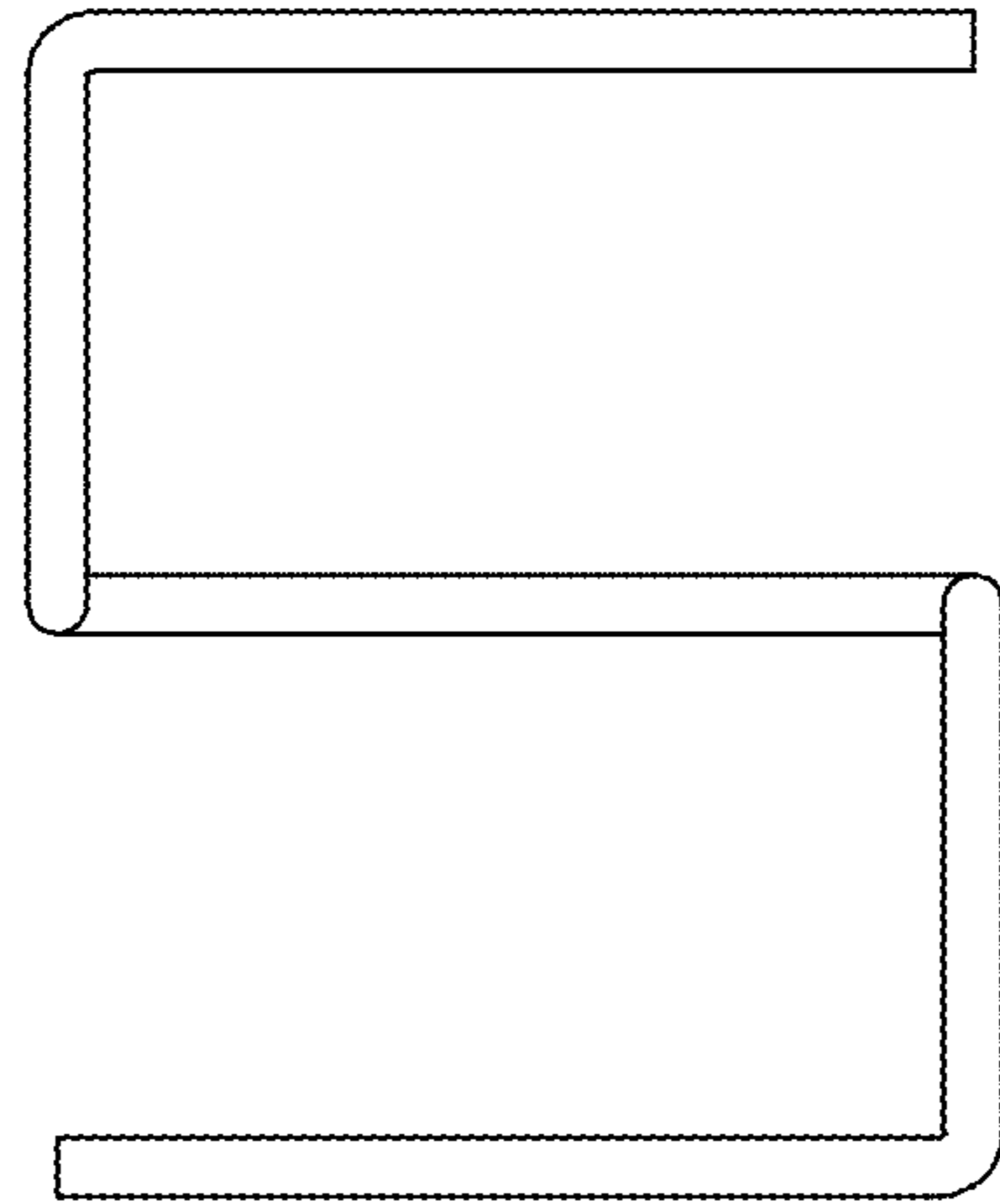


FIG. 4

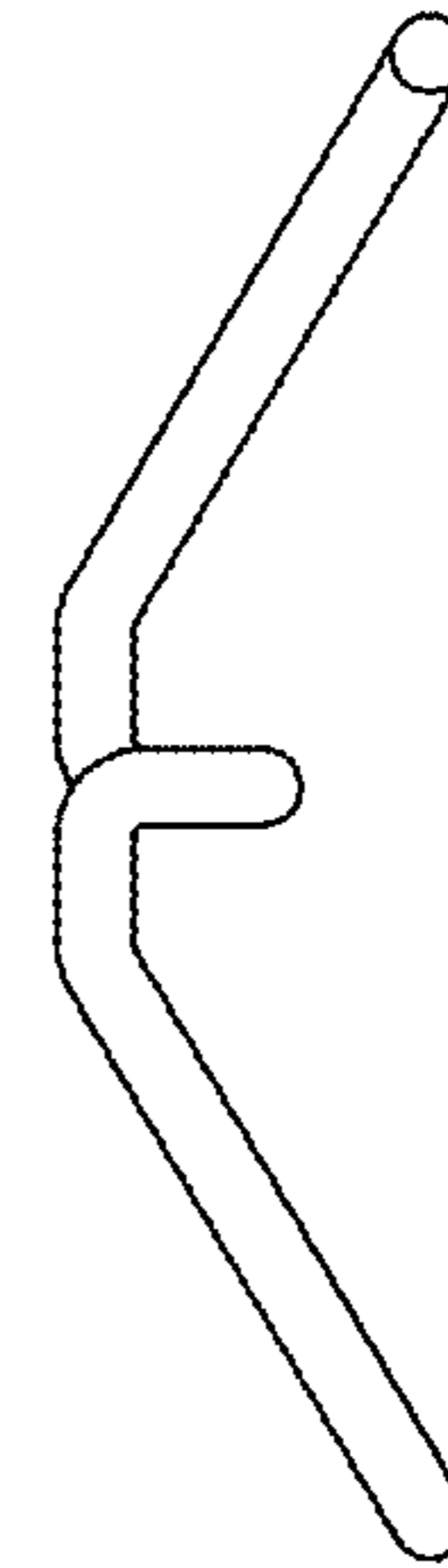


FIG. 5

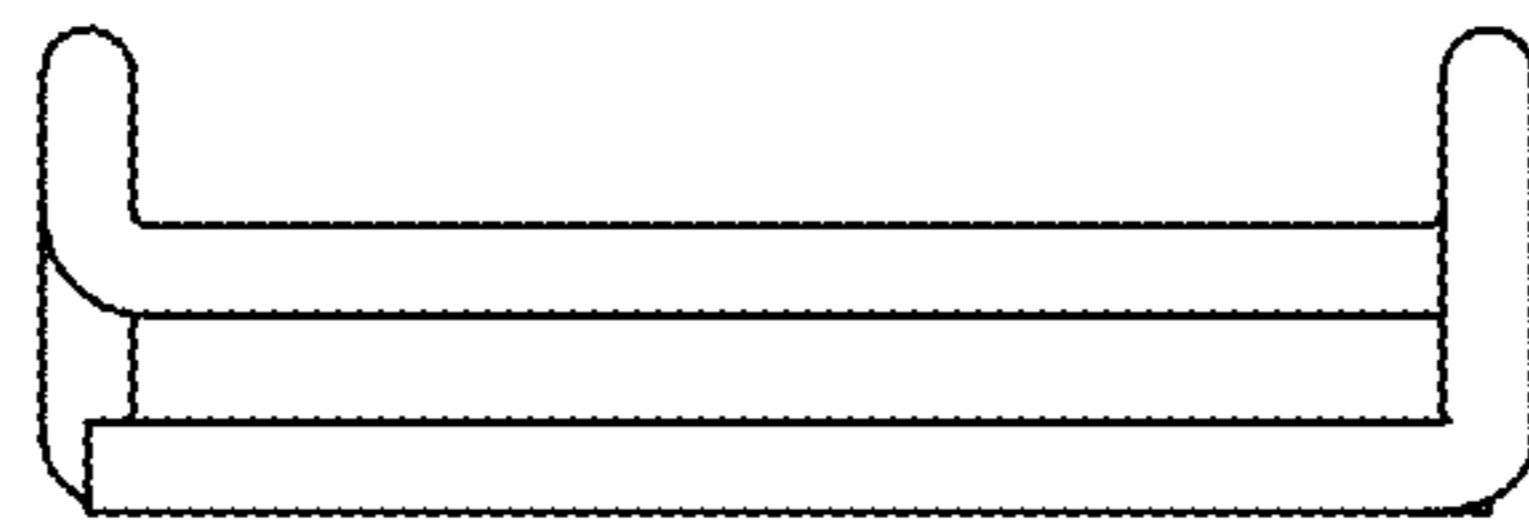


FIG. 6

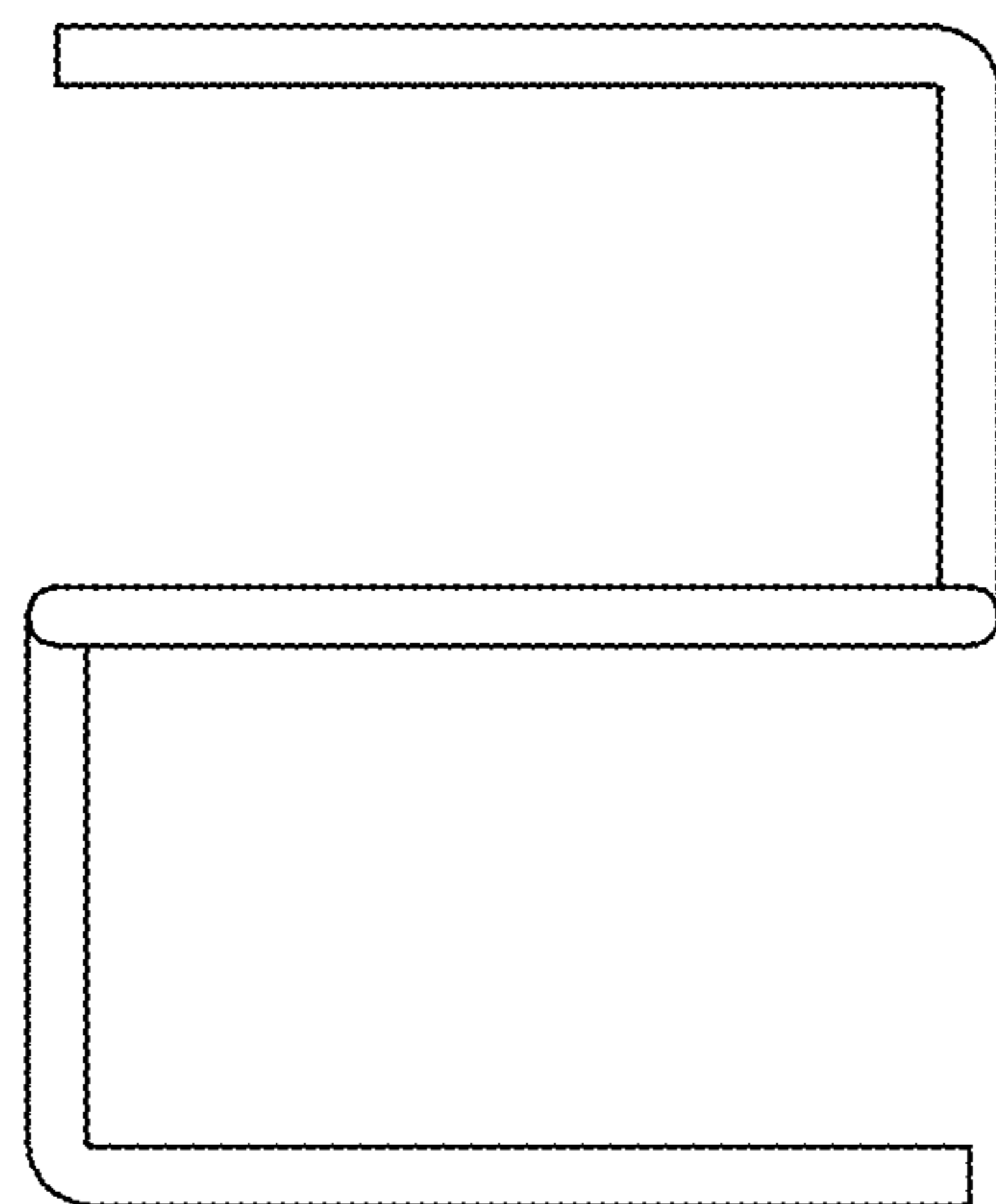


FIG. 7

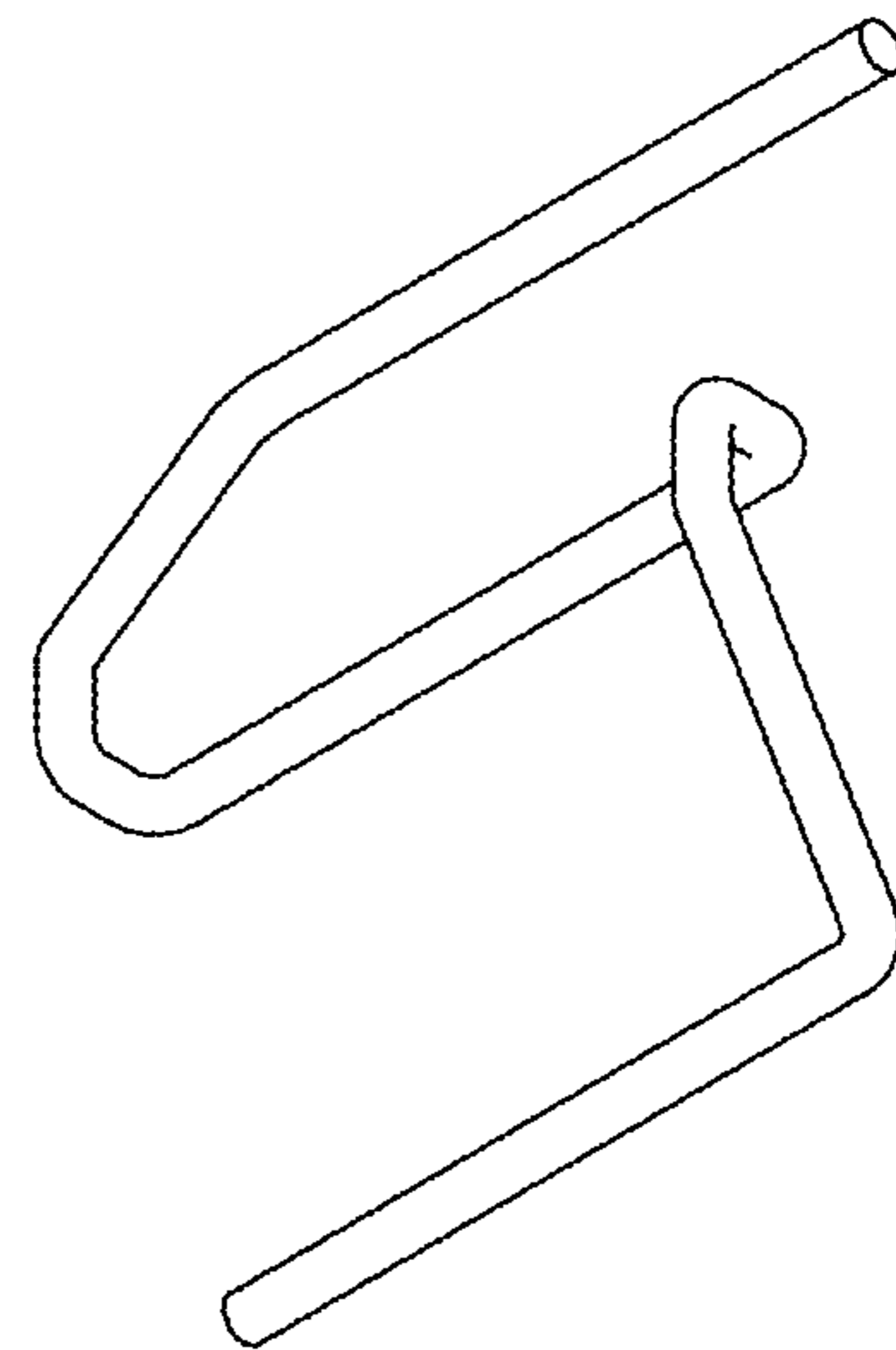
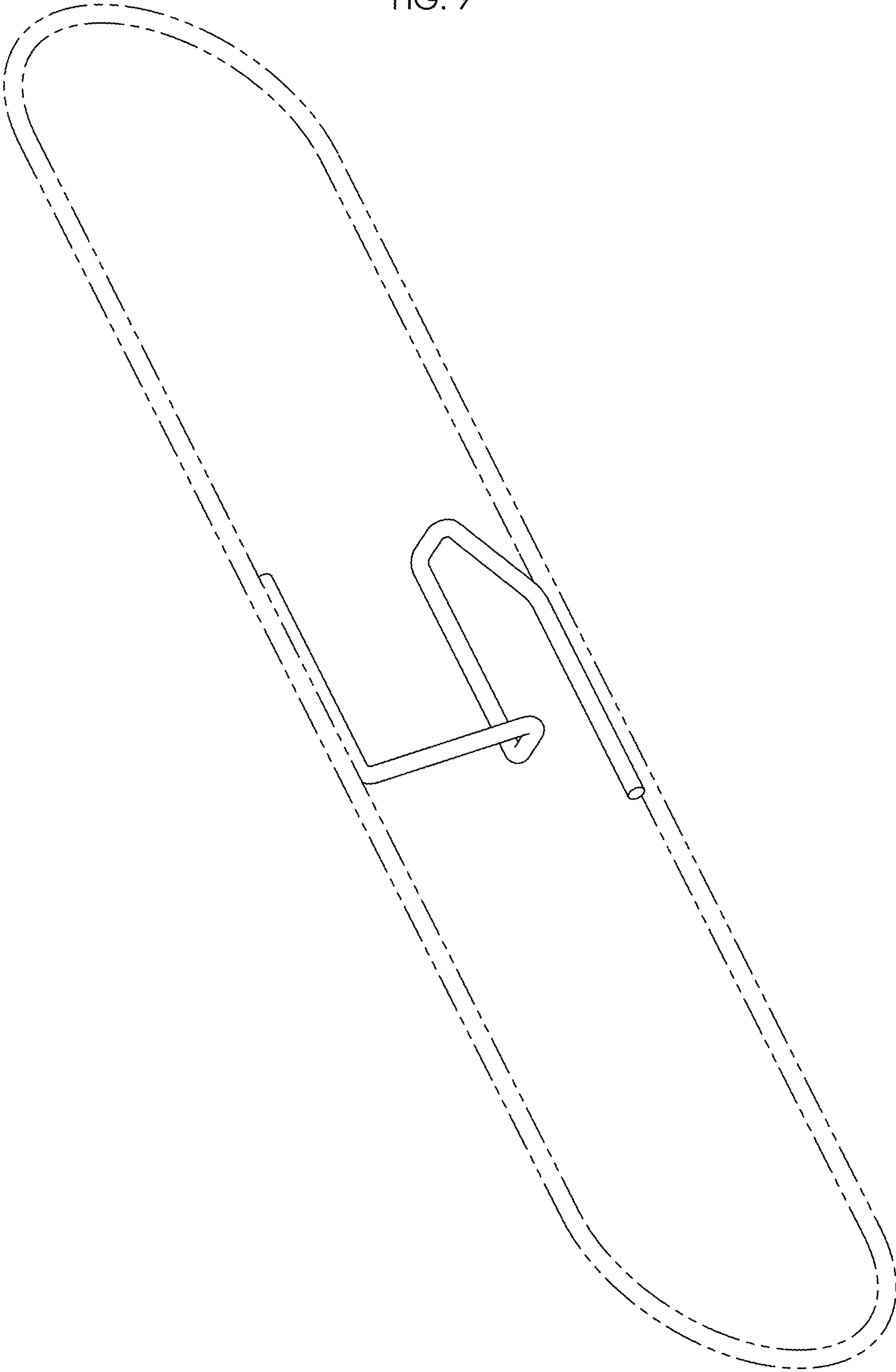


FIG. 8

FIG. 9



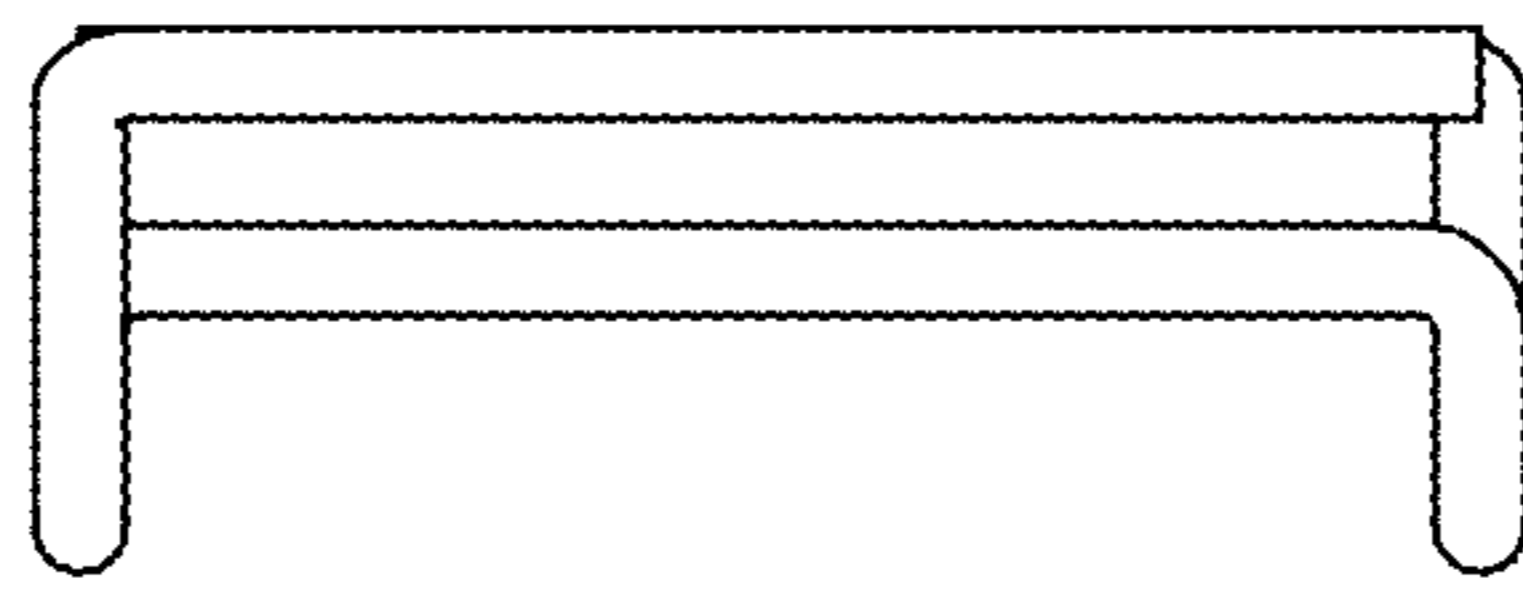


FIG. 10

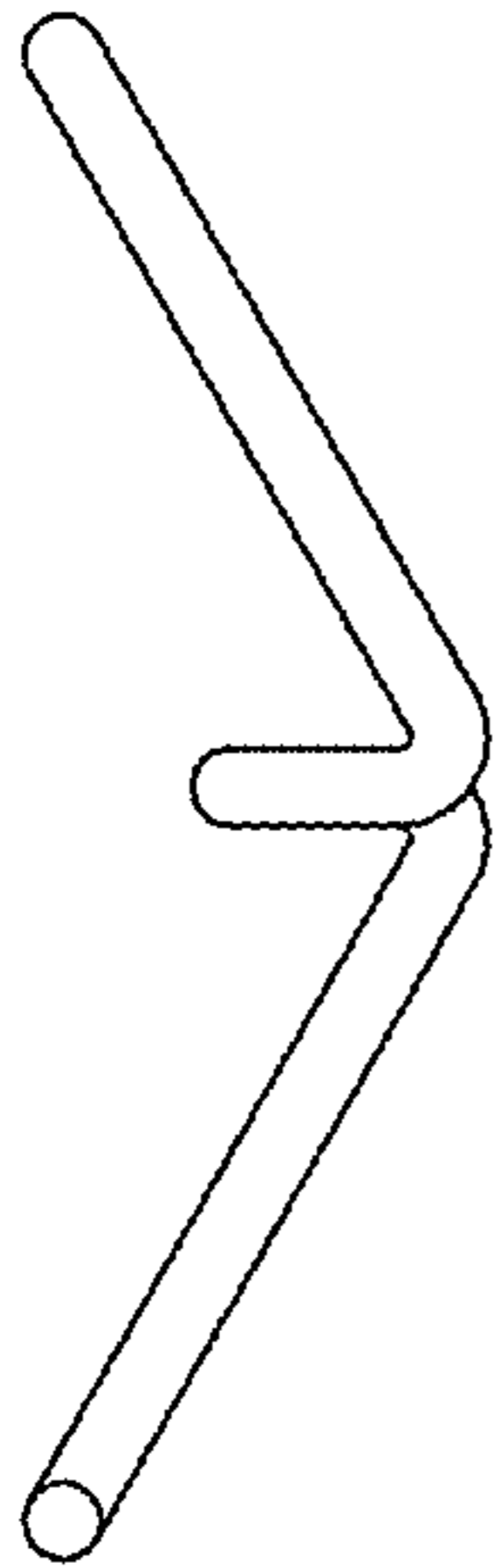


FIG. 11

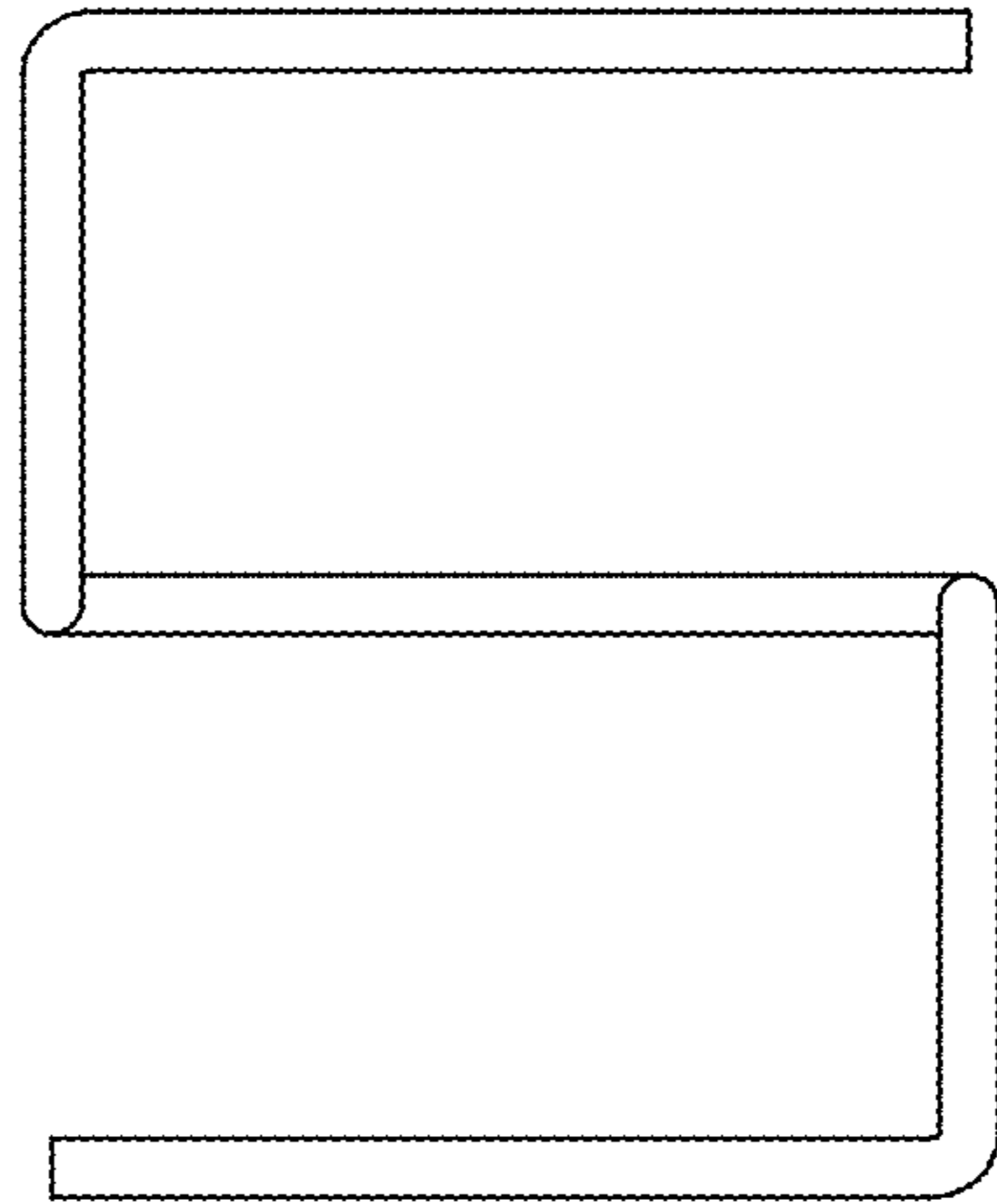


FIG. 12

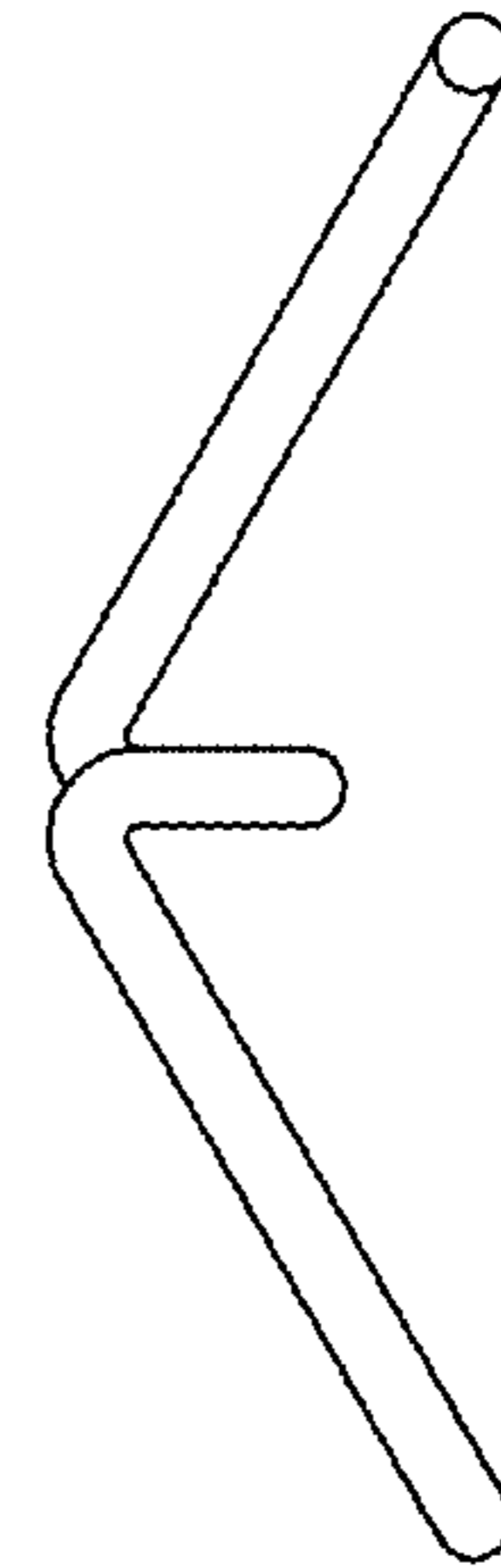


FIG. 13

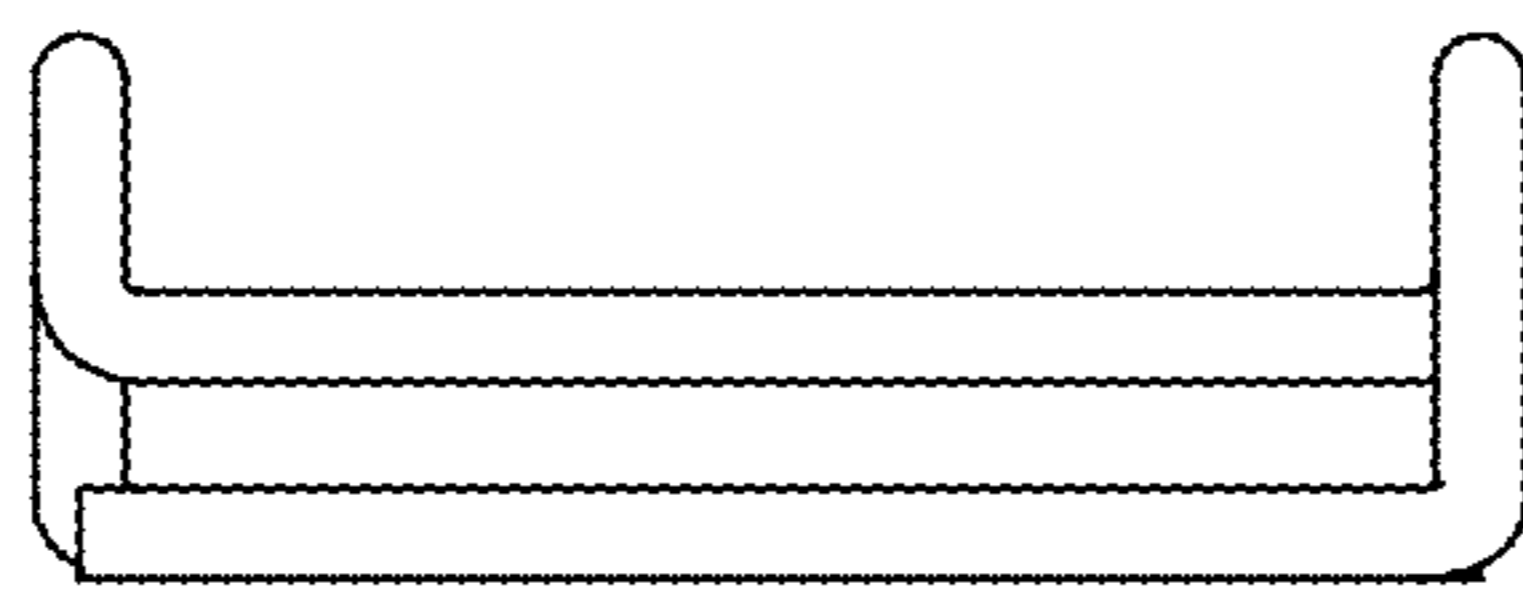


FIG. 14

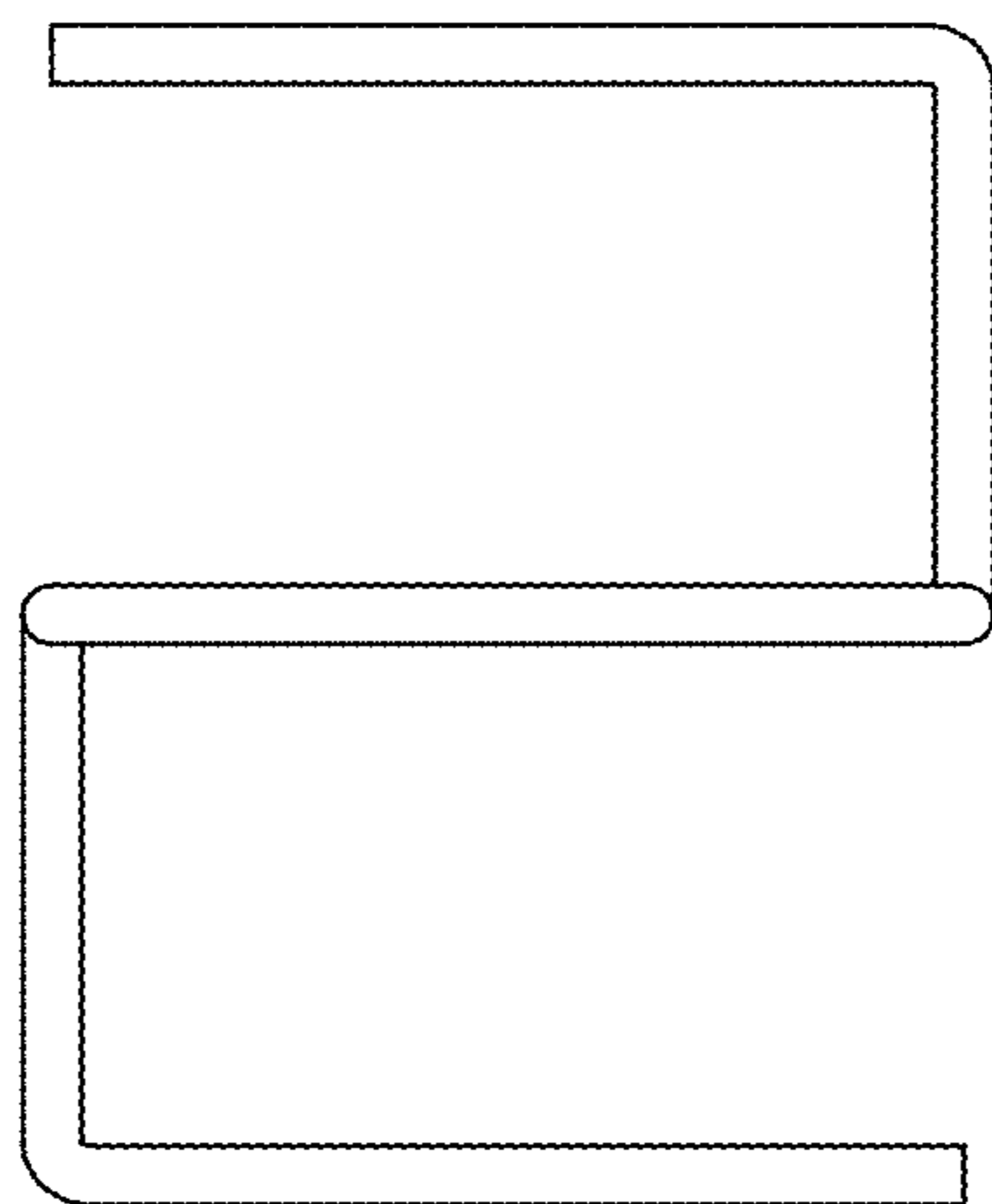


FIG. 15

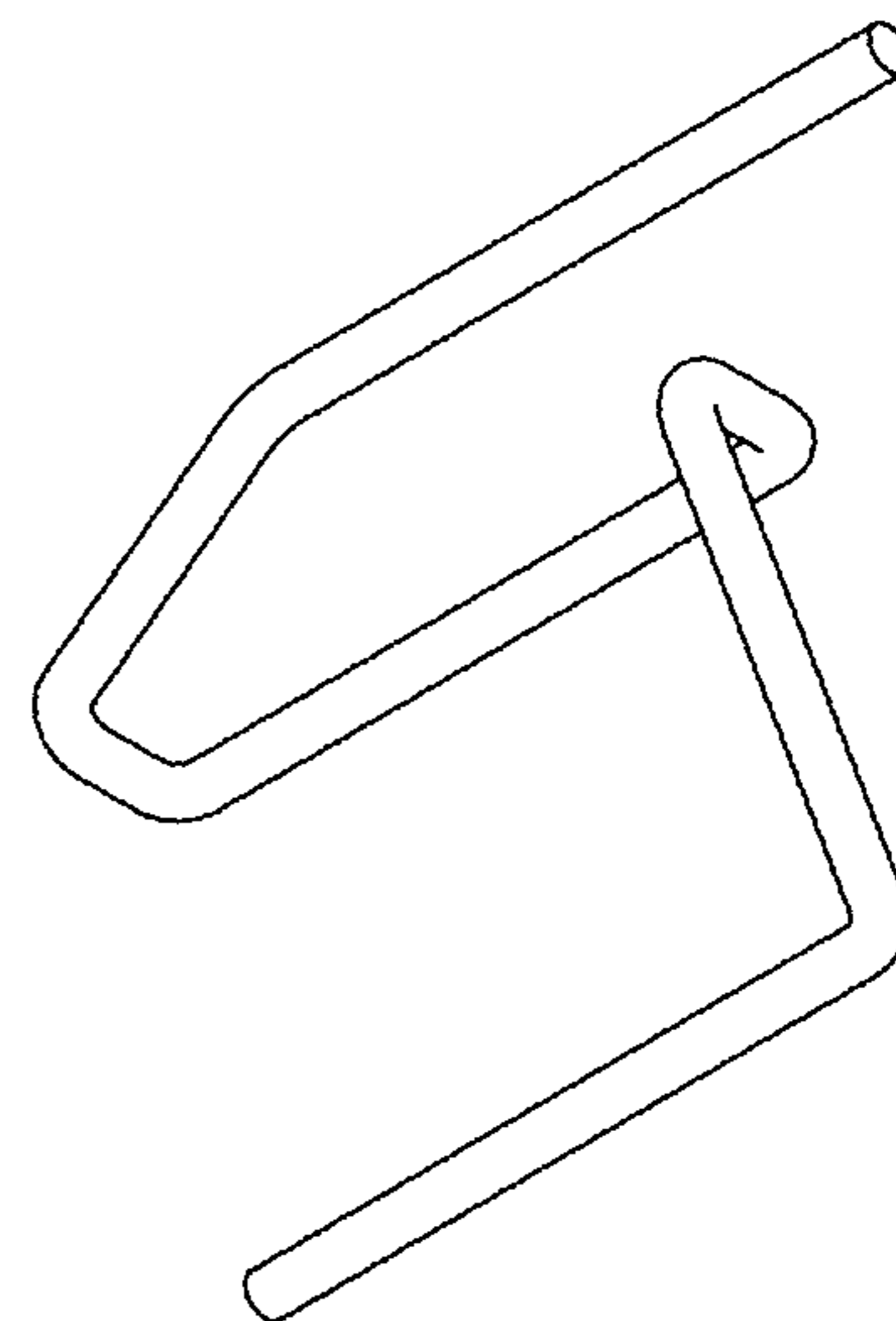


FIG. 16