



US00D915703S

(12) **United States Design Patent** (10) **Patent No.:** **US D915,703 S**
Harrington et al. (45) **Date of Patent:** **** Apr. 6, 2021**

(54) **FLAT HEADED MOP**
(71) Applicant: **Unger Marketing International, LLC**,
Bridgeport, CT (US)
(72) Inventors: **William Harrington**, Newtown, CT
(US); **Robert F. Smith**, Waterbury, CT
(US)
(73) Assignee: **UNGER MARKETNG**
INTERNATIONAL, LLC, Bridgeport,
CT (US)

D297,275 S * 8/1988 Cook D32/44
4,799,283 A * 1/1989 Haydon A47L 13/146
15/147.1
4,912,804 A 4/1990 Pasbol
(Continued)

FOREIGN PATENT DOCUMENTS

BE 1009731 A6 7/1997
CA 1306592 C 8/1992
(Continued)

OTHER PUBLICATIONS

Libman 4005 10" X 5" Freedom Dust Mop—Overstock review
2019, <https://www.overstock.com/Home-Garden/Libman-4005-10-X-5-Freedom-Dust-Mop/124> . . . site visited Apr. 16, 2020.*
(Continued)

(**) Term: **15 Years**
(21) Appl. No.: **29/692,647**
(22) Filed: **May 28, 2019**
(51) **LOC (13) Cl.** **07-05**
(52) **U.S. Cl.**
USPC **D32/50**
(58) **Field of Classification Search**
USPC D32/40–43, 45–46, 48–52; D4/100, 119,
D4/132, 135; D8/13
CPC A47L 4/00; A47L 13/10
See application file for complete search history.

Primary Examiner — John R Yeh
(74) *Attorney, Agent, or Firm* — Cantor Colburn LLP

(57) **CLAIM**

We claim, the ornamental design for a flat headed mop, as shown and described.

DESCRIPTION

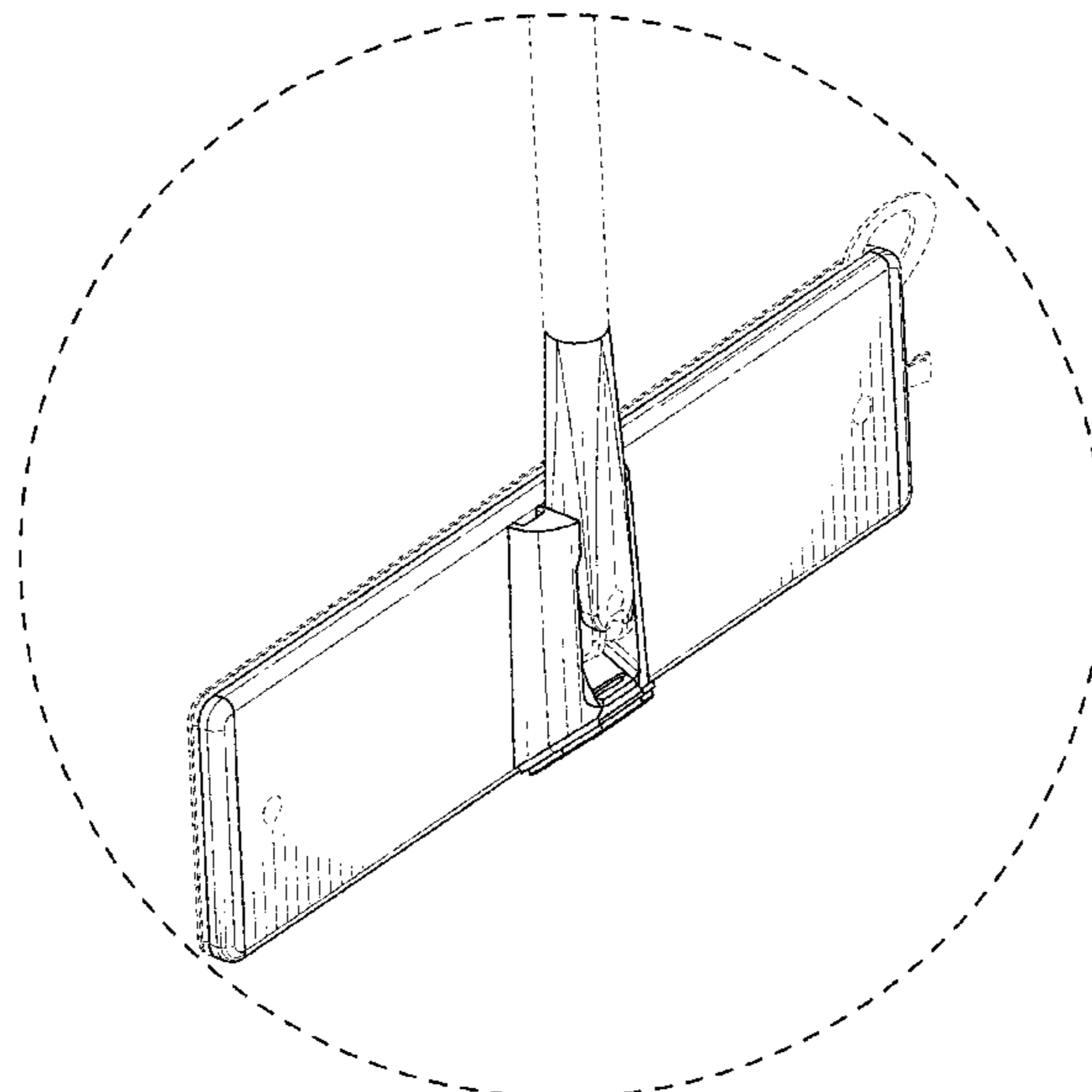
FIG. 1 is a front, top perspective view of our new design for a flat headed mop;
FIG. 2 is a rear, top perspective view thereof;
FIG. 3 is an enlarged front, top perspective view taken from FIG. 1;
FIG. 4 is an enlarged front, bottom perspective view thereof;
FIG. 5 is a rear elevation view thereof;
FIG. 6 is a front elevation view thereof;
FIG. 7 is a right side elevation view thereof;
FIG. 8 is a left side elevation view thereof;
FIG. 9 is a top plan view thereof; and,
FIG. 10 is a bottom plan view thereof.
The broken lines in the drawings depict portions of the flat headed mop that form no part of the claimed design.

(56) **References Cited**

U.S. PATENT DOCUMENTS

395,960 A 1/1889 Drew
2,286,944 A 6/1942 Altland
2,740,146 A 4/1956 Vaughn
2,796,617 A 6/1957 Remington
2,852,794 A 9/1958 Blum
2,966,689 A 1/1961 Antonucci, Jr.
D195,818 S * 8/1963 Herman et al. D32/50
3,280,418 A 10/1966 Schonberger
D249,821 S * 10/1978 Cooke D32/50
4,161,799 A 7/1979 Sorrells
4,704,763 A 11/1987 Sacks et al.

1 Claim, 7 Drawing Sheets



(56)

References Cited

U.S. PATENT DOCUMENTS

5,131,111 A 7/1992 Richardson et al.
 D358,238 S * 5/1995 Barnett D32/40
 5,438,727 A 8/1995 Specht
 5,548,865 A 8/1996 Pagani
 5,774,929 A 7/1998 Jurgens et al.
 5,983,441 A 11/1999 Willaims et al.
 D427,401 S * 6/2000 Kunkler D32/50
 6,115,878 A 9/2000 McLaughlin et al.
 6,158,089 A 12/2000 Monahan et al.
 6,260,226 B1 7/2001 Specht
 6,279,195 B1 8/2001 Biggs
 6,487,745 B2 12/2002 Specht
 6,543,081 B1 4/2003 Cohen
 6,588,045 B2 7/2003 Fernandez
 D497,699 S * 10/2004 Chi-Hsiang D32/45
 6,810,554 B2 11/2004 McKay
 D505,762 S * 5/2005 Lalanne D32/45
 6,996,873 B2 2/2006 Salmon
 7,174,600 B2 2/2007 Kresse et al.
 7,293,317 B2 11/2007 Tsuchiya et al.
 D563,068 S * 2/2008 Jiang D32/50
 D566,916 S * 4/2008 Nobile D32/40
 D571,069 S * 6/2008 Harper D32/52
 D585,612 S * 1/2009 Soller D32/40
 7,536,743 B2 5/2009 Goh et al.
 D597,717 S * 8/2009 Rosenzweig A47L 13/225
 D32/45
 7,607,191 B2 10/2009 Morris et al.
 D607,165 S * 12/2009 Libman D32/45
 D617,066 S * 6/2010 Koenig D32/50
 D625,480 S * 10/2010 Raven D32/50
 7,827,649 B2 11/2010 Horian
 D638,186 S * 5/2011 Yoon D32/50
 D638,596 S * 5/2011 Vasilakes D32/50
 7,946,445 B2 5/2011 Tytar
 D644,386 S * 8/2011 Tawara D32/51
 8,056,178 B2 11/2011 Bar-Noy et al.
 8,099,824 B2 1/2012 Dingert et al.
 D653,826 S * 2/2012 Lee D32/50
 D655,876 S * 3/2012 Lee D32/50
 D657,928 S * 4/2012 Byrne D32/50
 D658,344 S * 4/2012 Babic D32/50
 D658,836 S * 5/2012 Ediger D32/50
 D673,748 S * 1/2013 Snyder D32/50
 D677,031 S * 2/2013 Best D32/50
 8,381,931 B1 2/2013 Ernest, III
 8,474,089 B2 7/2013 Goentzel
 8,479,352 B2 7/2013 Rivadulla Oliva
 8,544,141 B1 10/2013 Kyde et al.
 8,584,300 B2 11/2013 Weis
 8,652,263 B2 2/2014 Goentzel
 D703,407 S * 4/2014 Xiong D32/45
 8,701,238 B1 4/2014 Morad et al.
 8,771,428 B1 7/2014 Goentzel
 D720,906 S * 1/2015 Baldwin D32/50
 9,161,673 B2 10/2015 Tronconi et al.
 9,216,751 B2 12/2015 Adams et al.
 D747,053 S * 1/2016 Baldwin D32/40
 D756,581 S * 5/2016 Libman D32/50
 D759,329 S * 6/2016 Colangelo D32/50
 D766,528 S * 9/2016 Choi D32/50
 D793,639 S * 8/2017 Schuller D32/45
 9,932,056 B2 4/2018 Eisenhut et al.
 9,943,207 B1 4/2018 Patterson
 2003/0019954 A1 1/2003 Clarke
 2005/0022843 A1 * 2/2005 Policicchio A47L 13/16
 134/6
 2005/0086980 A1 4/2005 Young
 2005/0100403 A1 5/2005 Kruepke
 2006/0048330 A1 3/2006 Rust et al.
 2007/0289084 A1 12/2007 Damrath et al.
 2008/0006640 A1 1/2008 Natale
 2008/0141477 A1 6/2008 Damrath et al.
 2008/0155775 A1 7/2008 Damrath et al.
 2009/0007351 A1 1/2009 Horian

2014/0263105 A1 9/2014 Kontorovich et al.
 2015/0201821 A1 7/2015 McBride, Jr. et al.
 2015/0351603 A1 12/2015 Katsnelson
 2016/0113471 A1 4/2016 Zhu et al.
 2016/0309980 A1 10/2016 LeCompte et al.
 2016/0316988 A1 11/2016 Balz et al.
 2017/0027403 A1 2/2017 Zhu
 2017/0049292 A1 2/2017 Harrington et al.
 2017/0231457 A1 8/2017 Cloud
 2018/0035862 A1 2/2018 Polti et al.
 2018/0055327 A1 3/2018 Li

FOREIGN PATENT DOCUMENTS

CN 2081281 U 7/1991
 CN 200987655 Y 12/2007
 CN 201227258 Y 4/2009
 CN 201227259 Y 4/2009
 CN 201384477 Y 1/2010
 CN 201675888 U 12/2010
 CN 202211661 U 5/2012
 CN 202313166 U 7/2012
 CN 102711578 A 10/2012
 CN 102846284 A 1/2013
 CN 202821248 U 3/2013
 CN 203029178 U 7/2013
 CN 103445735 A 12/2013
 CN 204146974 U 2/2015
 CN 104853664 A 8/2015
 CN 204744046 U 11/2015
 CN 204889883 U 12/2015
 CN 105286740 A 2/2016
 CN 105640460 A 6/2016
 CN 105769071 A 7/2016
 CN 205391076 U 7/2016
 CN 205493747 U 8/2016
 CN 105996932 A 10/2016
 CN 205625834 U 10/2016
 CN 205697619 U 11/2016
 CN 205729277 U 11/2016
 CN 205831737 U 12/2016
 CN 205866707 U 1/2017
 CN 206080445 U 4/2017
 CN 206080446 U 4/2017
 CN 106725163 A 5/2017
 CN 106725164 A 5/2017
 CN 206151396 U 5/2017
 CN 206183214 U 5/2017
 CN 206381142 U 8/2017
 CN 107115077 A 9/2017
 CN 206548456 U 10/2017
 CN 107456178 A 12/2017
 CN 107495914 A 12/2017
 CN 107518843 A 12/2017
 CN 206761652 U 12/2017
 CN 107684406 A 2/2018
 CN 107684407 A 2/2018
 CN 107692938 A 2/2018
 CN 107811591 A 3/2018
 CN 207152550 U 3/2018
 CN 207186587 U 4/2018
 CN 207202839 U 4/2018
 CN 304639767 * 5/2018
 DE 382754 10/1923
 DE 4318792 A1 12/1994
 DE 19635620 A1 3/1998
 DE 10065373 A1 7/2002
 EP 1219226 A1 7/2002
 EP 2033565 A2 3/2009
 EP 1219224 B1 3/2010
 EP 1651089 B1 11/2010
 EP 2769660 A1 8/2014
 EP 2848178 A2 3/2015
 FR 3058627 A1 5/2018
 GB 379946 A 9/1932
 GB 396469 A 8/1933
 GB 932579 A 7/1963
 GB 1168635 A 10/1969
 GB 1277932 A 6/1972

(56)

References Cited

FOREIGN PATENT DOCUMENTS

JP	H110304998	A	11/1998
JP	2014030815	A	2/2014
KR	485755	Y1	2/2018
KR	2018025263	A	3/2018
WO	199210968	A1	7/1992
WO	200200089	A1	1/2002
WO	2004080265	A2	9/2004
WO	2005013794	A1	2/2005
WO	2006027383	A1	3/2006
WO	2015090356	A1	6/2015
WO	2016116067	A1	7/2016
WO	2017193609	A1	11/2017
WO	2017206511	A1	12/2017
WO	2018024160	A1	2/2018
WO	2018040920	A1	3/2018

OTHER PUBLICATIONS

International Search Report and Written Opinion for International Application No. PCT/US2019/034282 dated Aug. 7, 2019, ISR/WO, dated Aug. 7, 2019, 9 pgs.

* cited by examiner

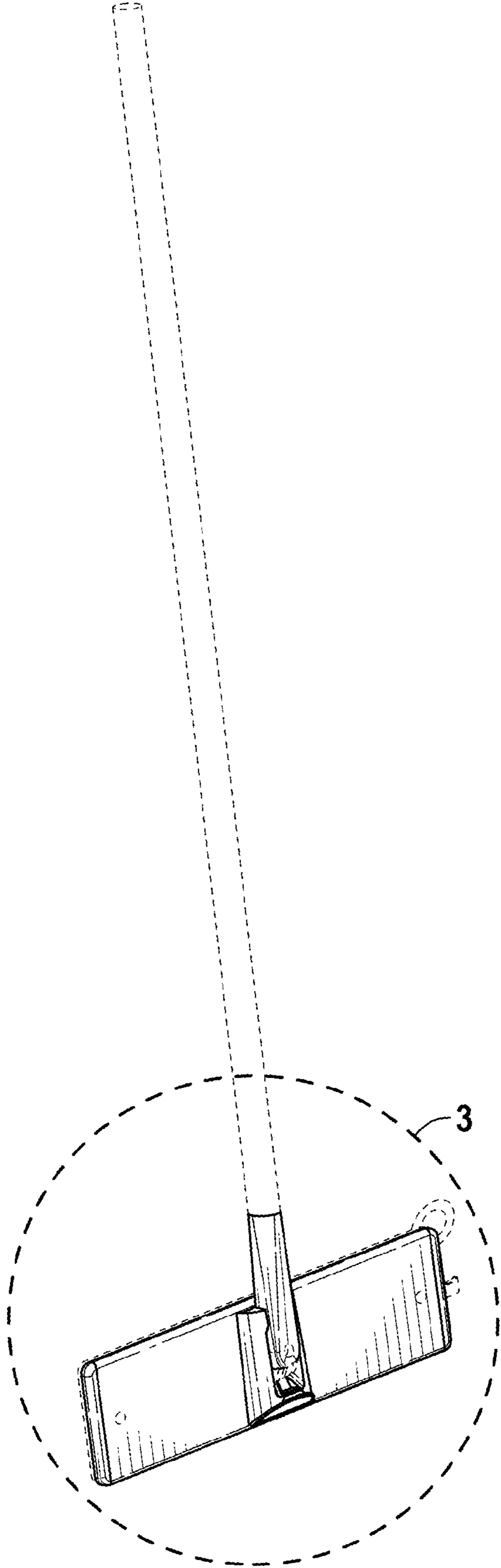


FIG. 1

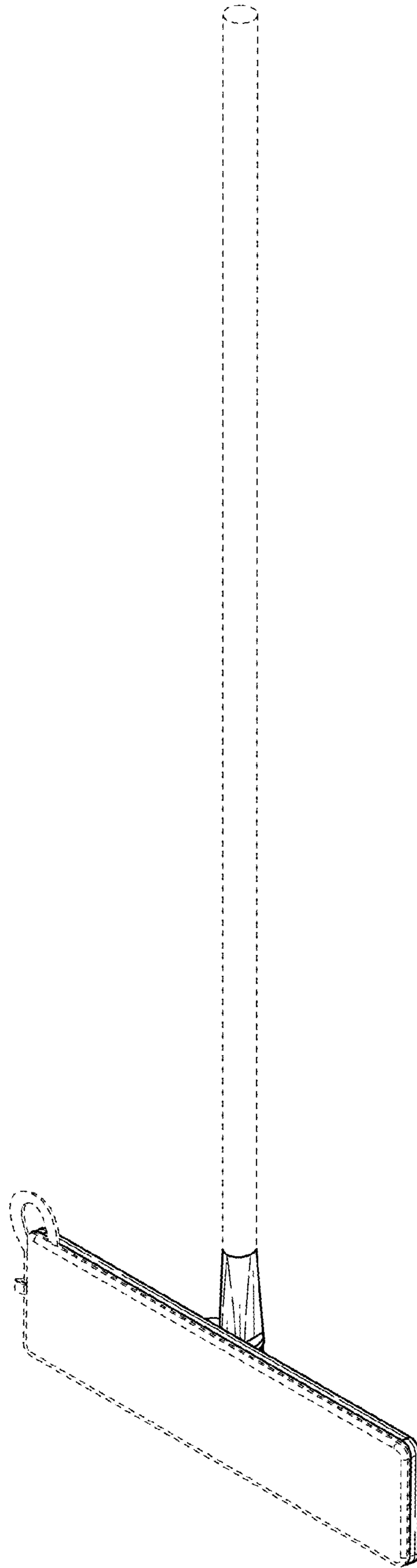


FIG. 2

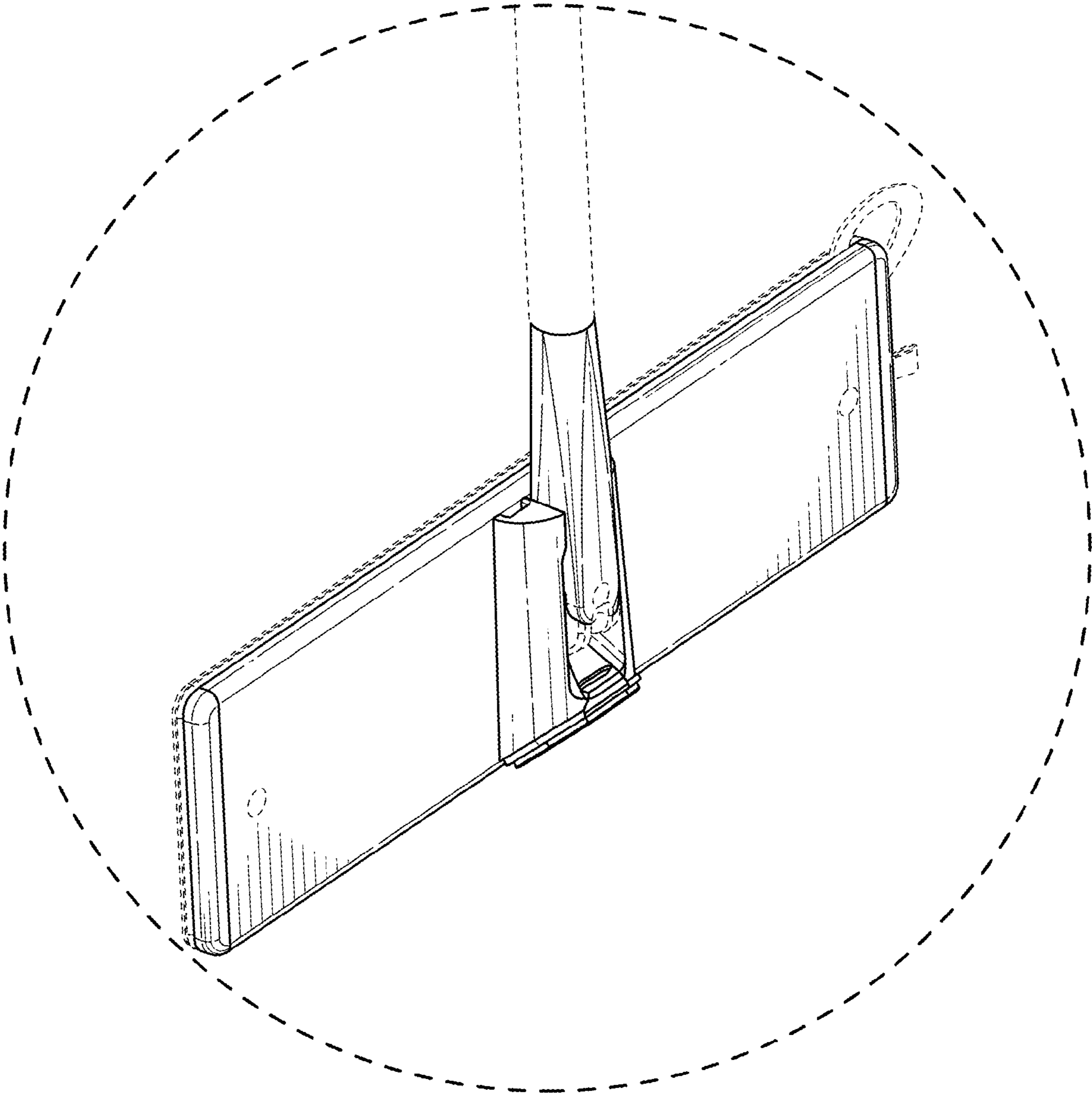


FIG. 3

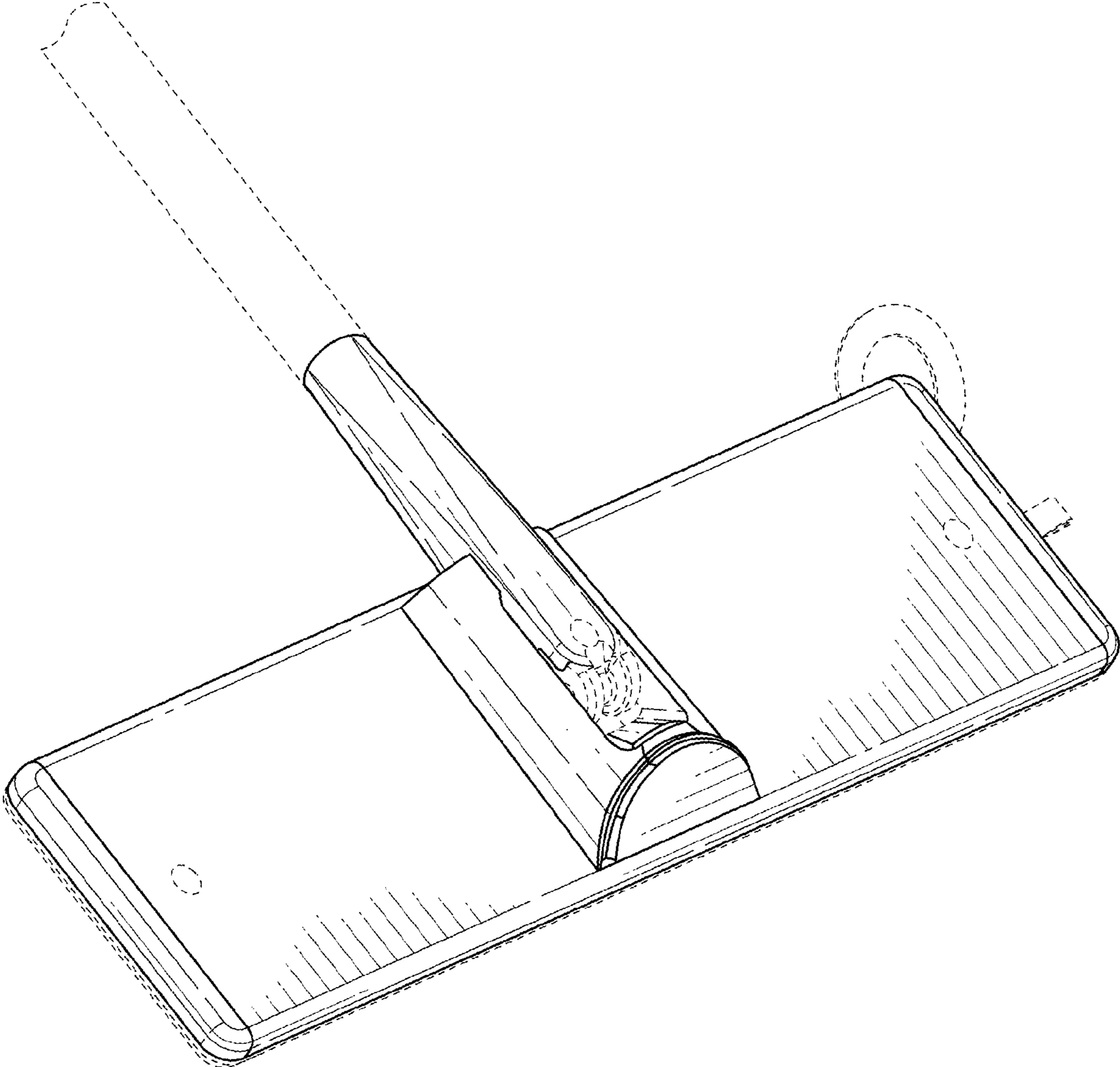


FIG. 4

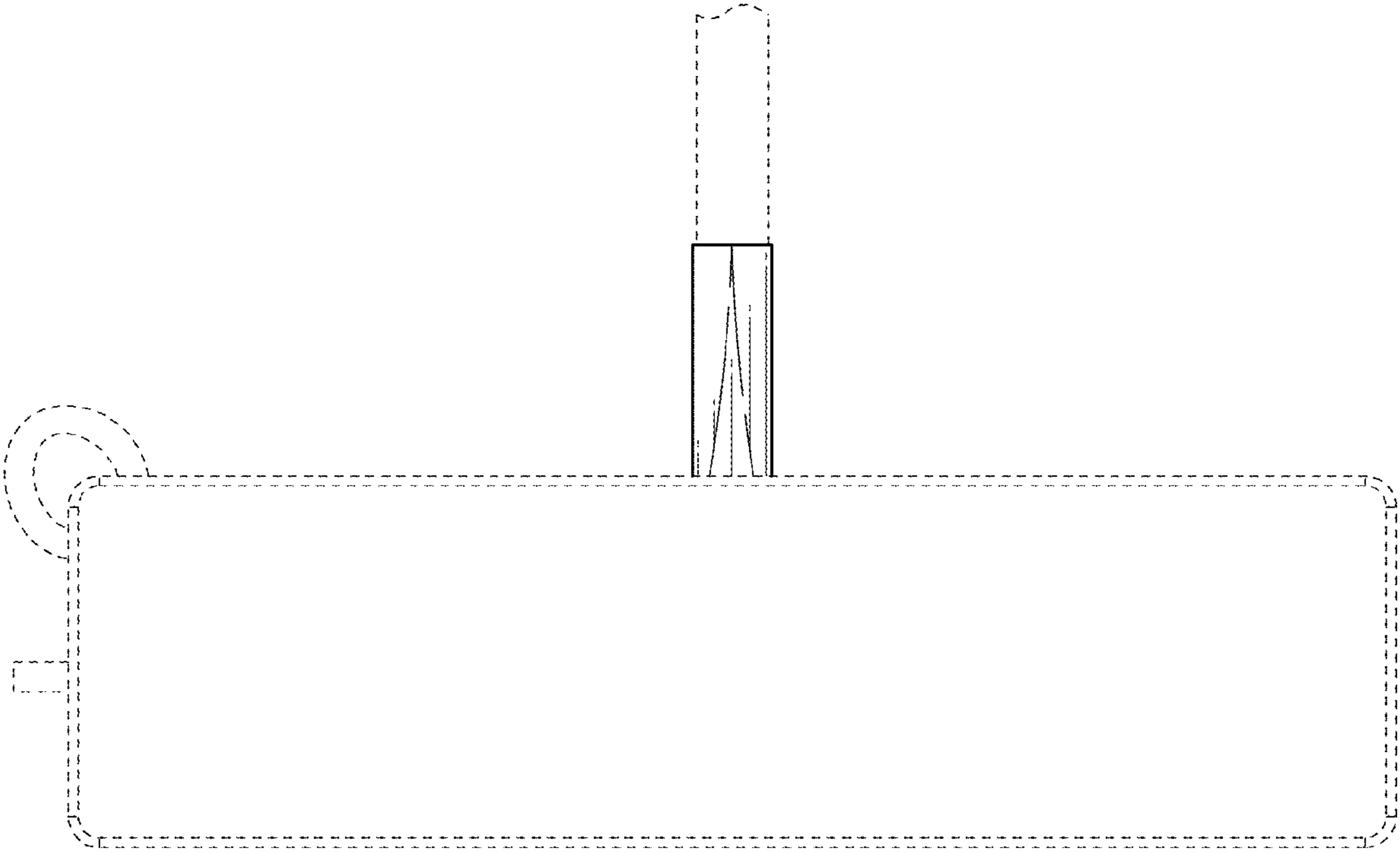


FIG. 5

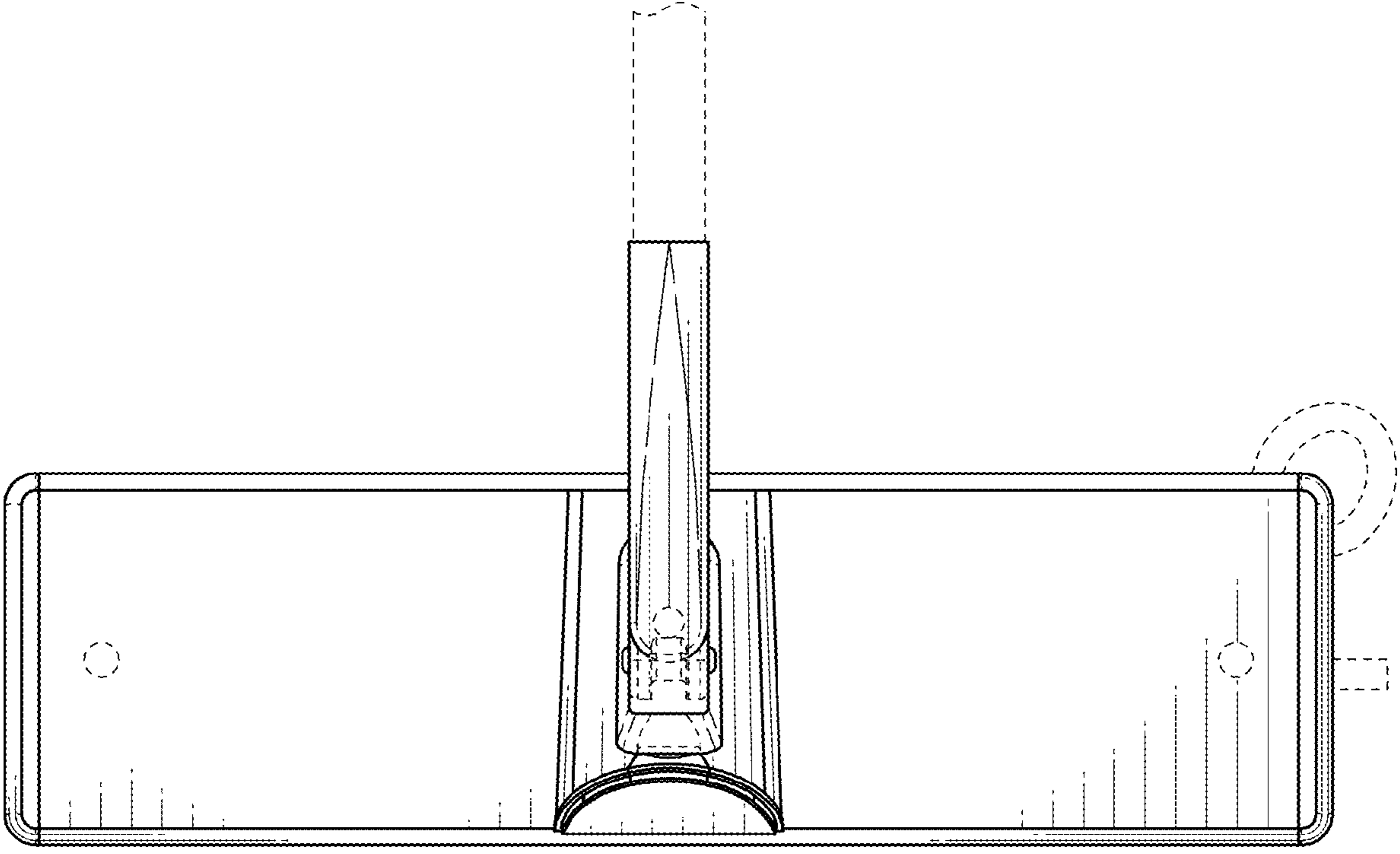


FIG. 6

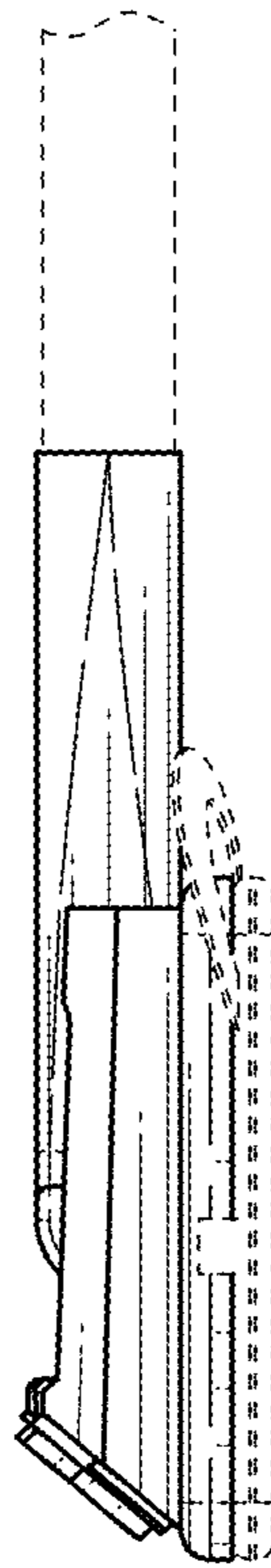


FIG. 7

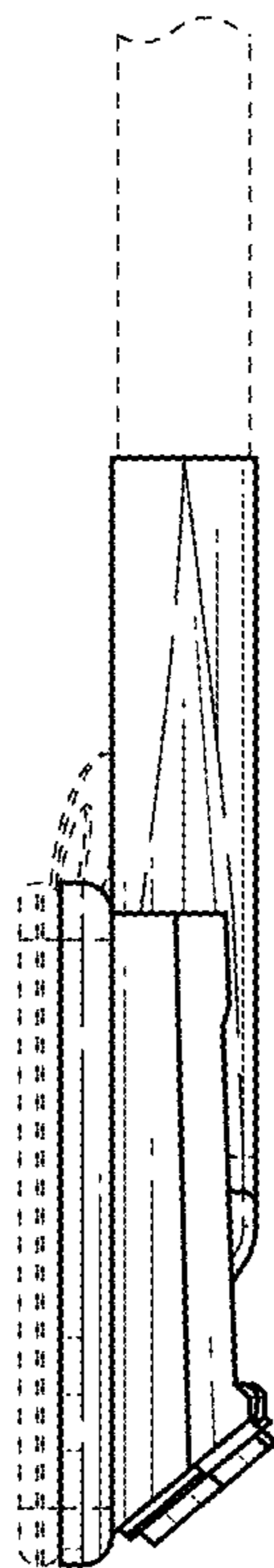


FIG. 8

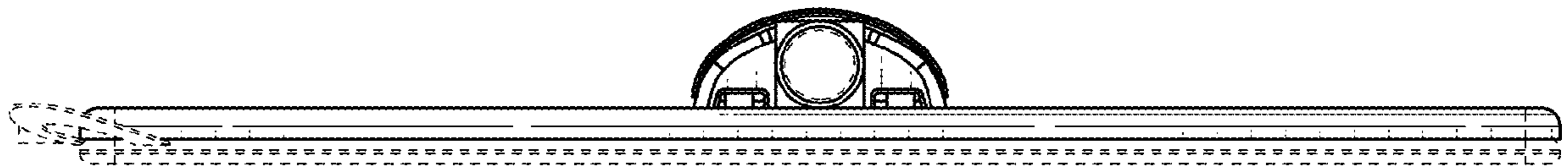


FIG. 9

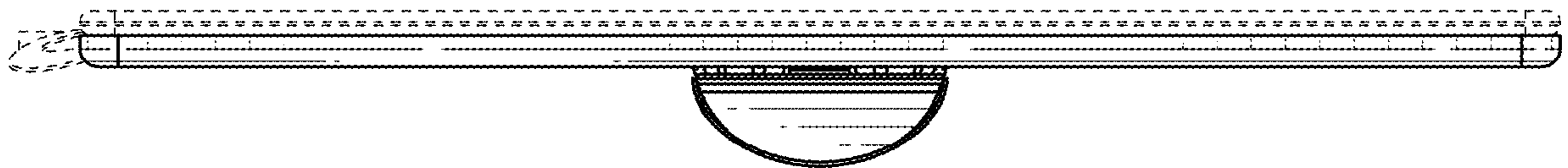


FIG. 10