



US00D915702S

(12) **United States Design Patent** (10) **Patent No.:** **US D915,702 S**  
**Liao** (45) **Date of Patent:** **\*\* Apr. 6, 2021**

(54) **SCRAPER**  
(71) Applicant: **Eric Liao**, Taichung (TW)  
(72) Inventor: **Eric Liao**, Taichung (TW)  
(\*\*) Term: **15 Years**  
(21) Appl. No.: **29/746,942**  
(22) Filed: **Aug. 18, 2020**

D634,600 S \* 3/2011 Gringer ..... D8/98  
7,950,099 B1 \* 5/2011 Hanson ..... E04F 21/165  
15/105  
7,972,074 B2 \* 7/2011 Lepage ..... E04F 21/1655  
401/266

(Continued)

**FOREIGN PATENT DOCUMENTS**

CN 304771064 \* 8/2018

**OTHER PUBLICATIONS**

Orxplus Tools Silicone Remover Scraper, Amazon.com reviews 2019, [https://www.amazon.com/ORXPLUS-TOOLS-Silicone-Caulking-Stainless/dp/B07M7M4Z9B/ref=cm\\_cr\\_ar\\_p\\_d\\_product\\_top?ie=UTF8](https://www.amazon.com/ORXPLUS-TOOLS-Silicone-Caulking-Stainless/dp/B07M7M4Z9B/ref=cm_cr_ar_p_d_product_top?ie=UTF8), site visited Dec. 19, 2020.\*

*Primary Examiner* — John R Yeh  
(74) *Attorney, Agent, or Firm* — Wang Law Firm, Inc.

(57) **CLAIM**

The ornamental design for a scraper, as shown.

**DESCRIPTION**

FIG. 1 is a front top perspective view of a scraper in accordance with the present invention, showing the stands extended;

FIG. 2 is a rear top perspective view thereof;  
FIG. 3 is another front top perspective view thereof;  
FIG. 4 is another rear top perspective view thereof;  
FIG. 5 is a front bottom perspective view thereof;  
FIG. 6 is a rear bottom perspective view thereof;  
FIG. 7 is a front view thereof;  
FIG. 8 is a rear view thereof;  
FIG. 9 is a left view thereof;  
FIG. 10 is a right view thereof;  
FIG. 11 is a top view thereof;  
FIG. 12 is a bottom view thereof; and,  
FIG. 13 is a front top perspective view thereof, showing the stand folded.

**1 Claim, 13 Drawing Sheets**

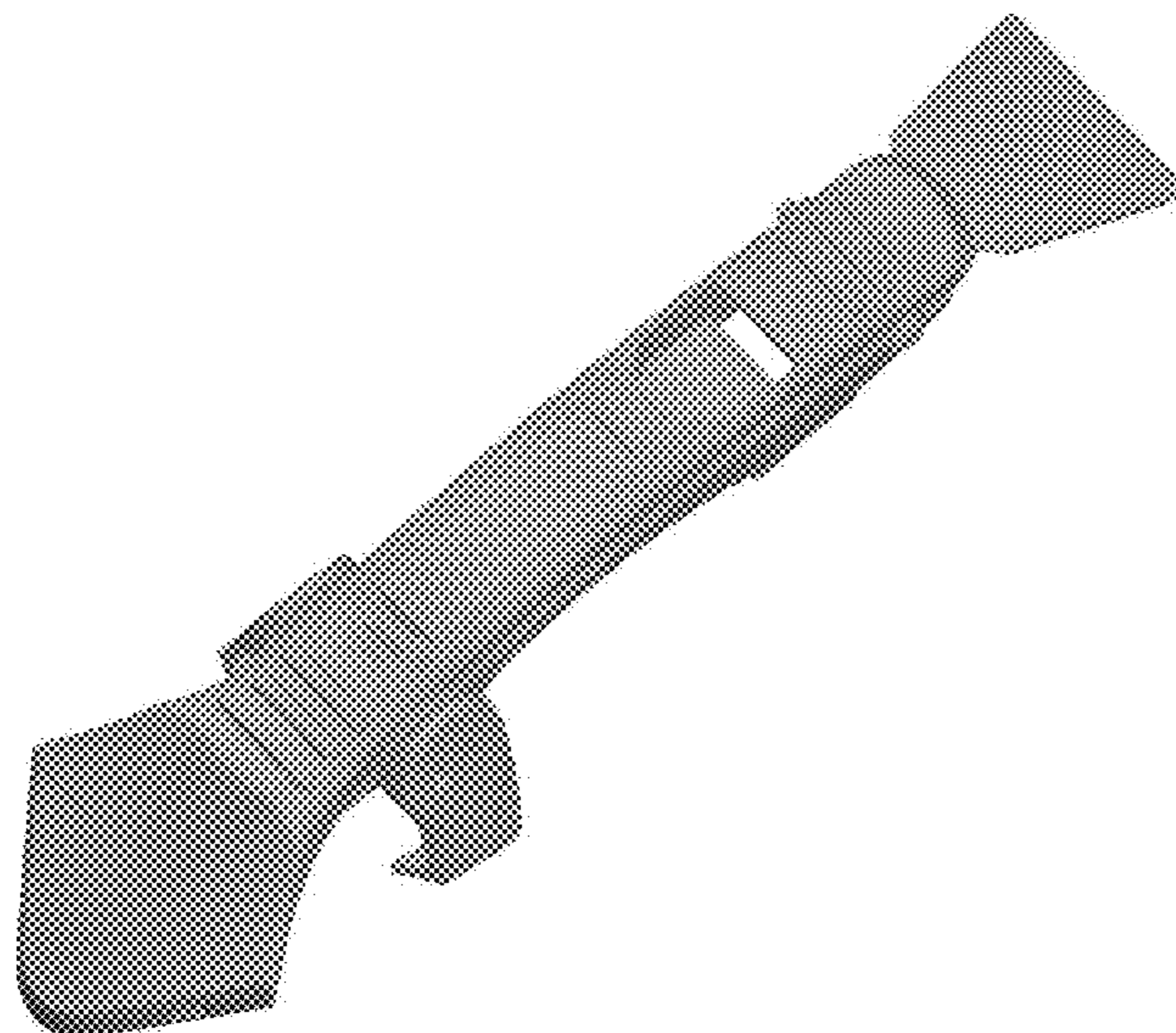
**Related U.S. Application Data**

(63) Continuation-in-part of application No. 29/668,441, filed on Oct. 30, 2018.  
(51) **LOC (13) Cl.** ..... **07-05**  
(52) **U.S. Cl.**  
USPC ..... **D32/46; D8/105**  
(58) **Field of Classification Search**  
USPC ..... D32/46, 49-52; D7/688; D8/105  
CPC ..... A47L 13/10; A47L 13/12  
See application file for complete search history.

(56) **References Cited**

**U.S. PATENT DOCUMENTS**

3,744,079 A \* 7/1973 Krause ..... E04F 21/165  
15/235.7  
D307,206 S \* 4/1990 Boyd ..... D32/46  
D332,901 S \* 2/1993 Campbell ..... D8/45  
5,675,860 A \* 10/1997 Campbell ..... E04F 21/165  
15/235.7  
D403,218 S \* 12/1998 Benktzon ..... D8/48  
D420,882 S \* 2/2000 Majolo ..... D32/46  
6,219,878 B1 \* 4/2001 Dewberry ..... E04F 21/165  
15/235.7  
6,450,723 B1 \* 9/2002 Lithgow ..... B05C 17/00516  
222/566  
6,732,395 B2 \* 5/2004 Gringer ..... A47L 13/022  
15/105  
D596,011 S \* 7/2009 Almayda ..... D8/105  
D605,911 S \* 12/2009 Lian ..... D8/14



(56)

**References Cited**

U.S. PATENT DOCUMENTS

8,307,490 B2 \* 11/2012 Gringer ..... E04F 21/1652  
15/105  
D687,201 S \* 7/2013 Liao ..... D32/46  
9,376,825 B2 \* 6/2016 Liao ..... E04F 21/1655  
D773,912 S \* 12/2016 Gringer ..... D8/45  
D891,898 S \* 8/2020 Yao ..... D8/105  
2010/0162573 A1 \* 7/2010 Liao ..... E04F 21/0084  
30/169  
2015/0330091 A1 \* 11/2015 Liao ..... E04F 21/165  
15/105.5

\* cited by examiner

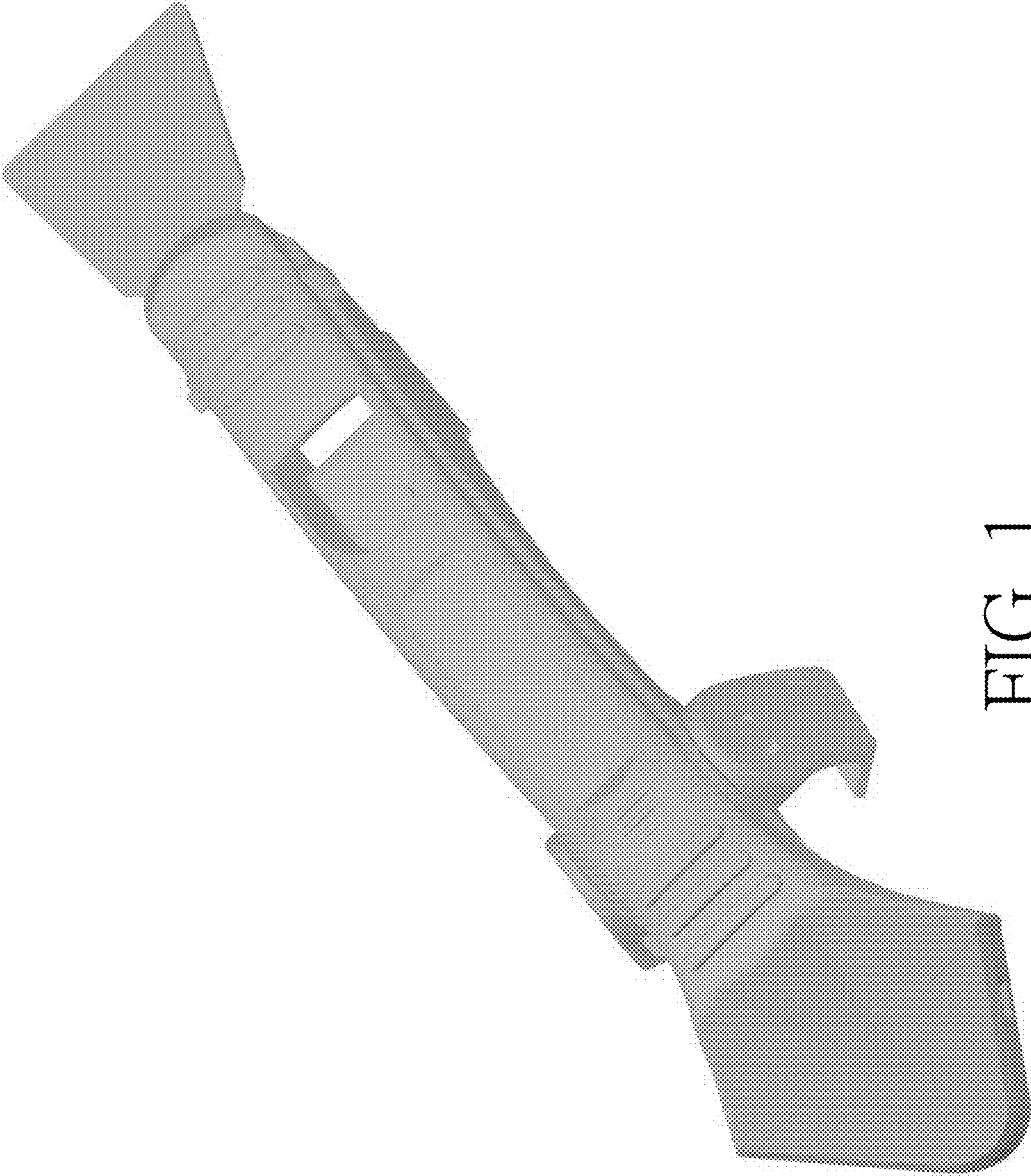


FIG. 1

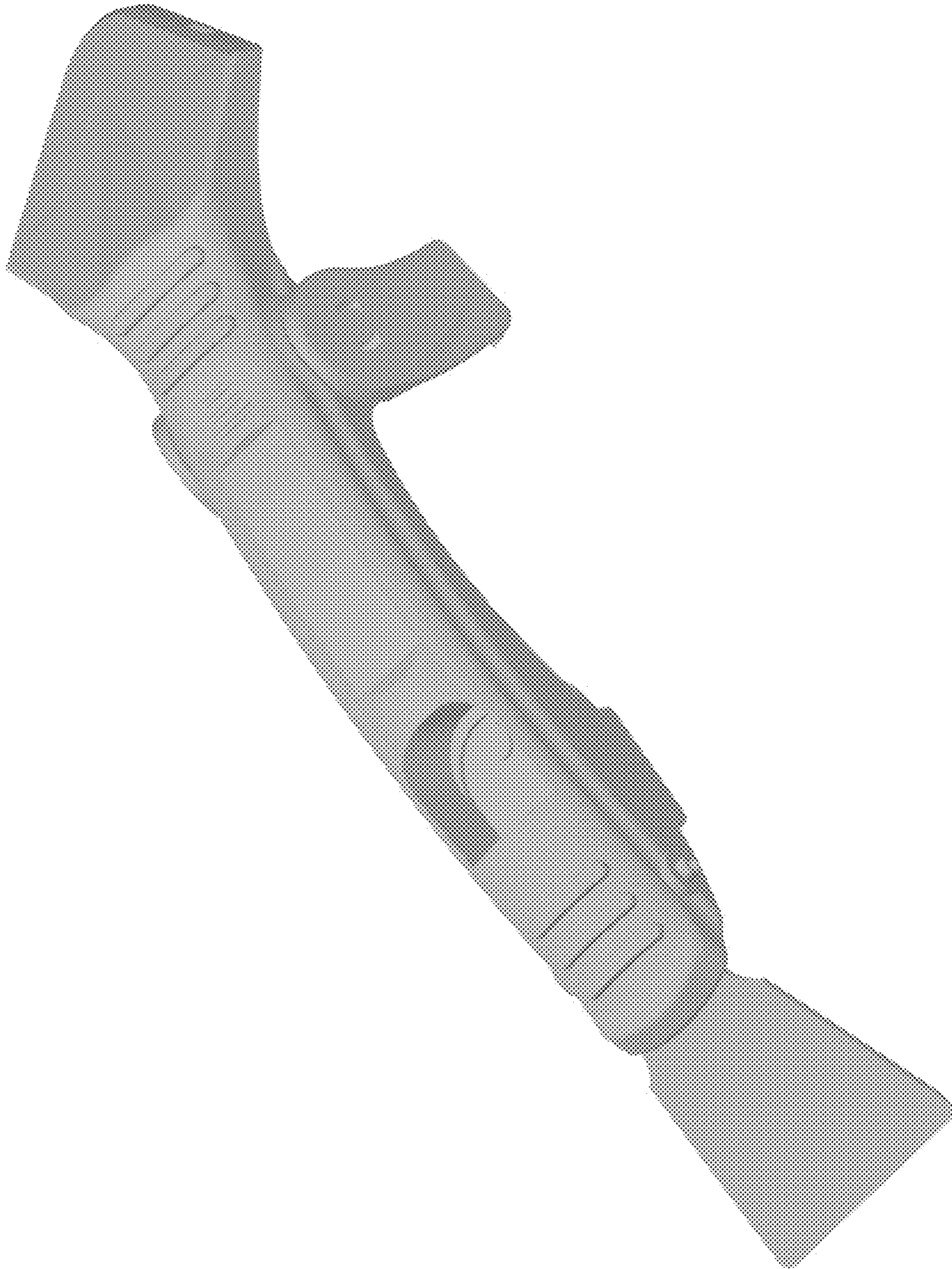


FIG. 2

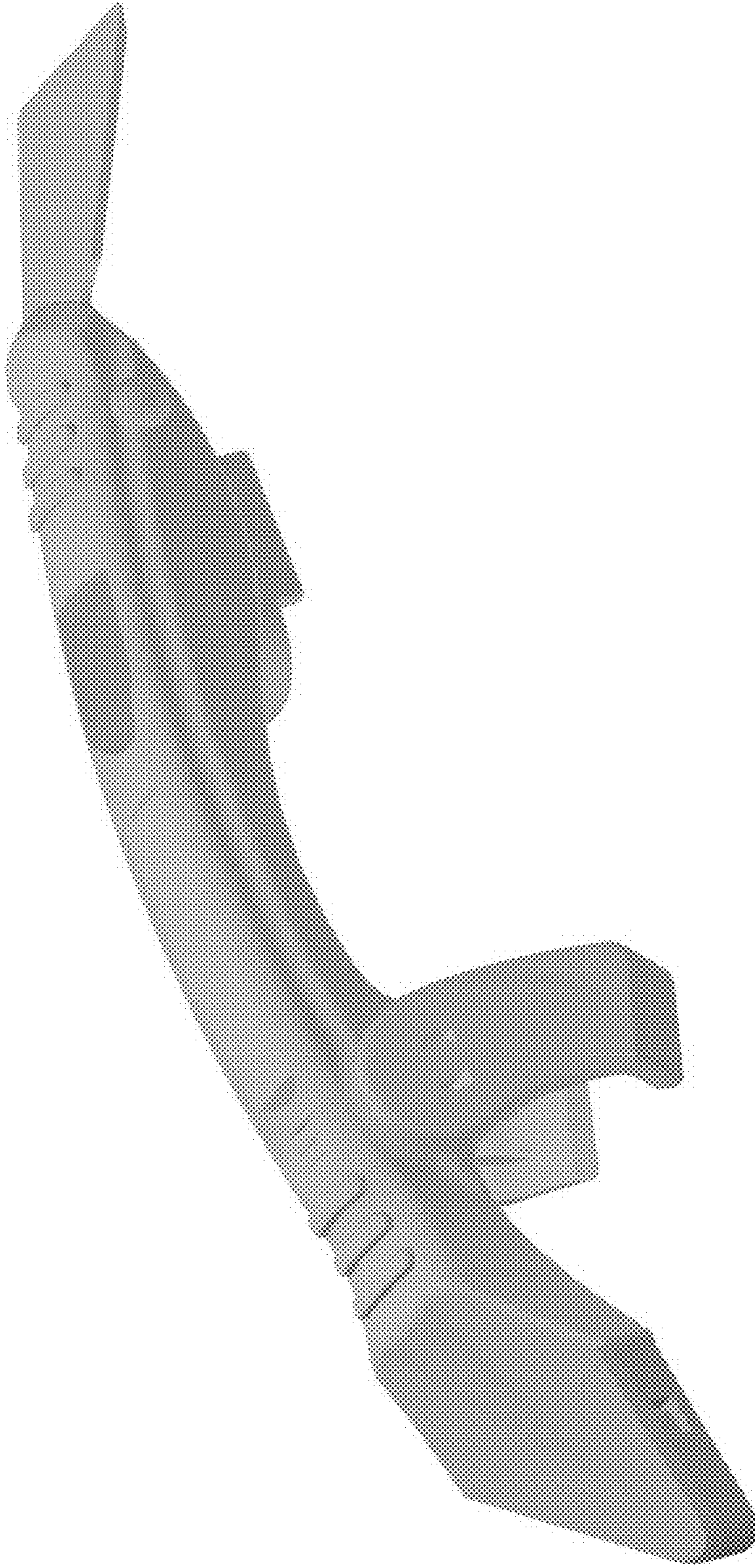


FIG. 3

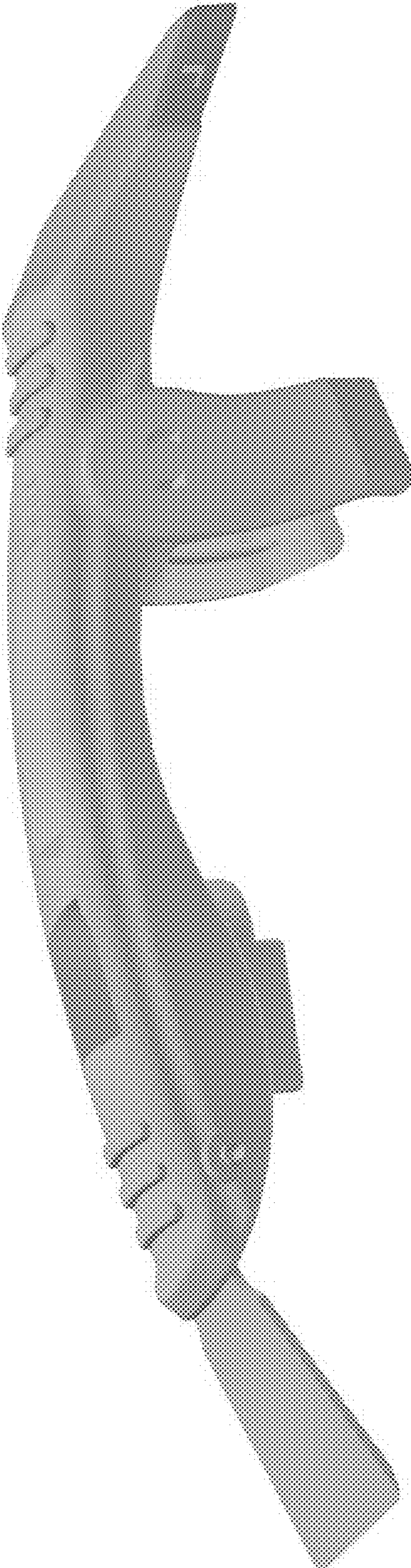


FIG. 4

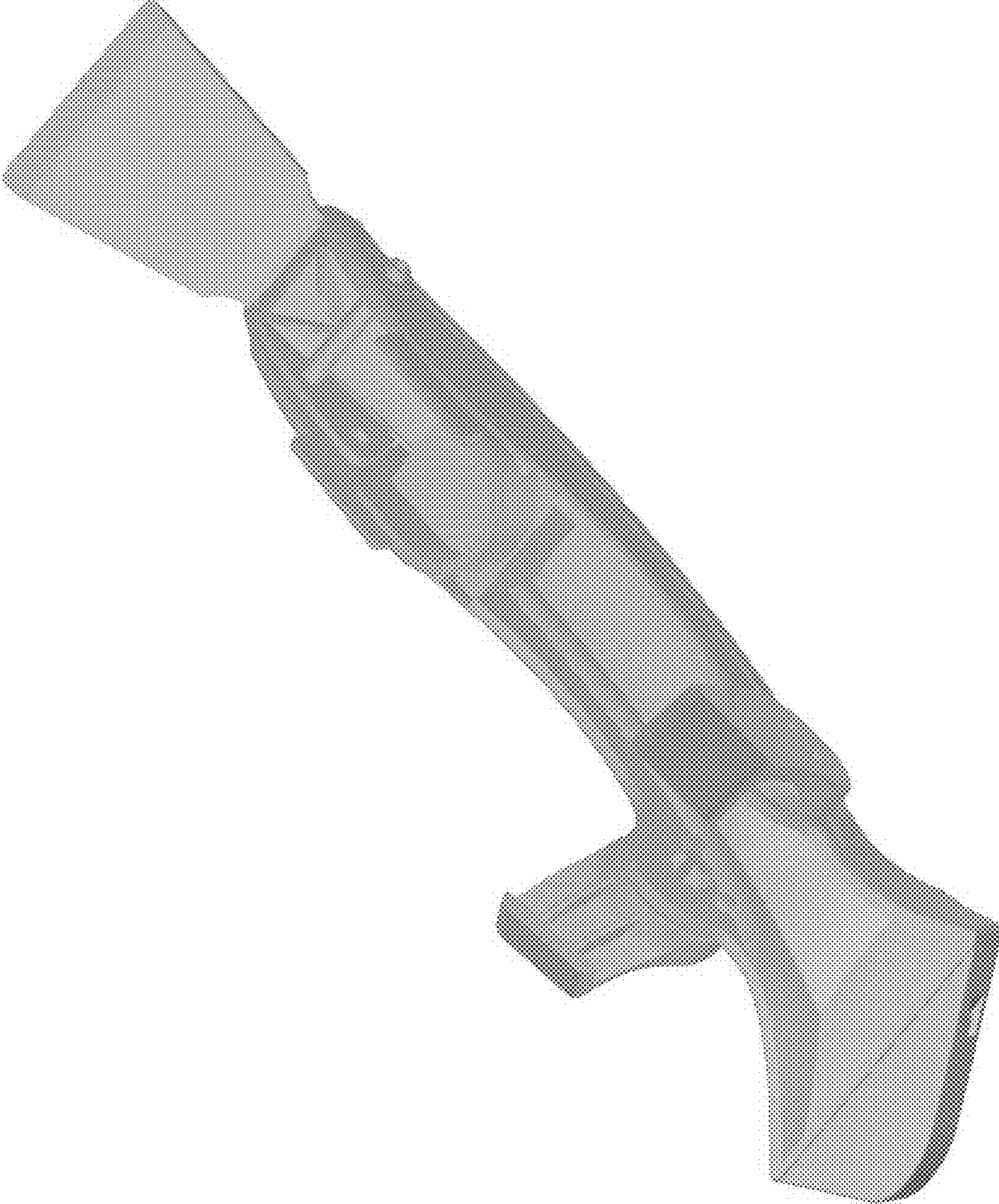


FIG. 5

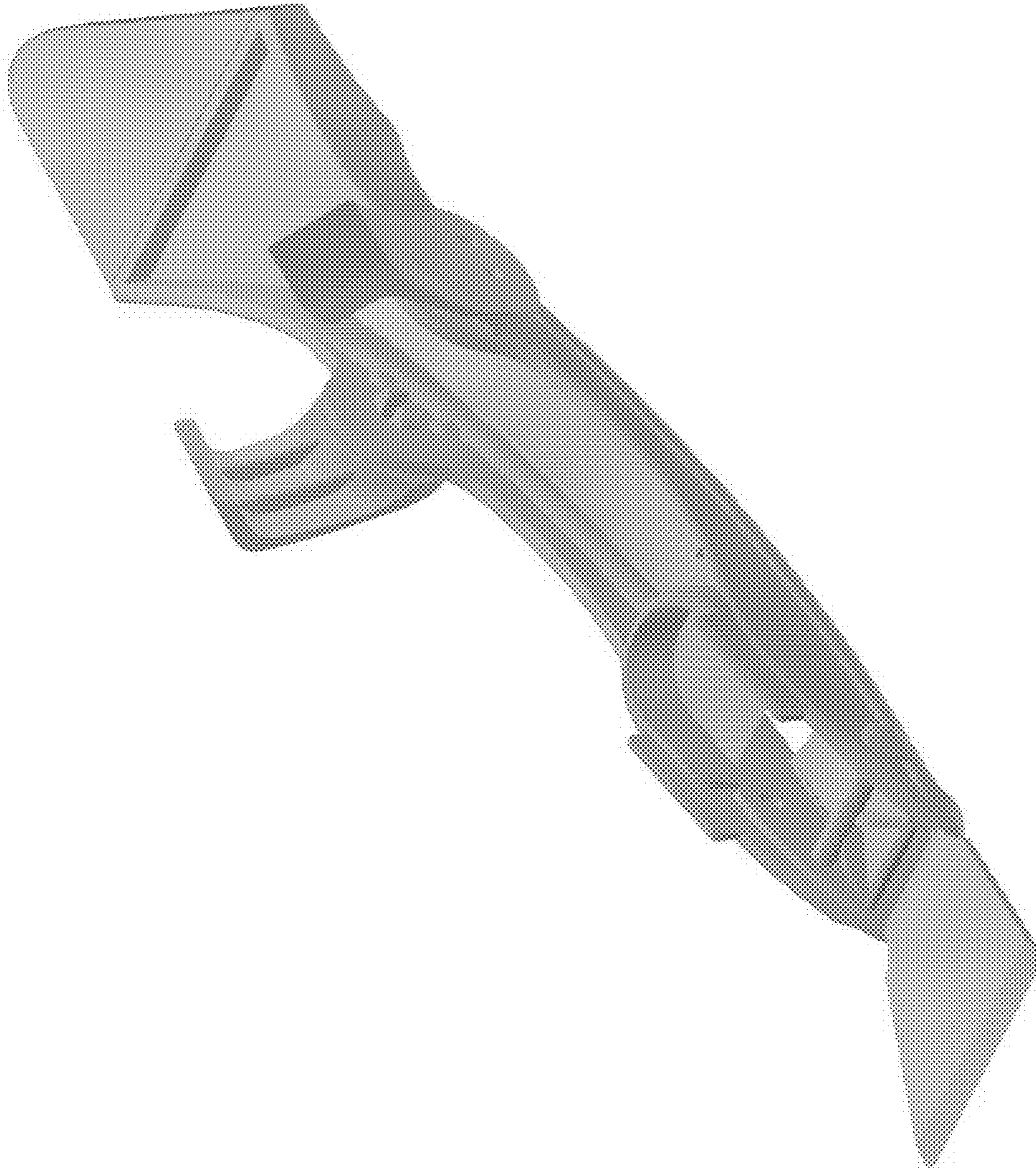


FIG. 6



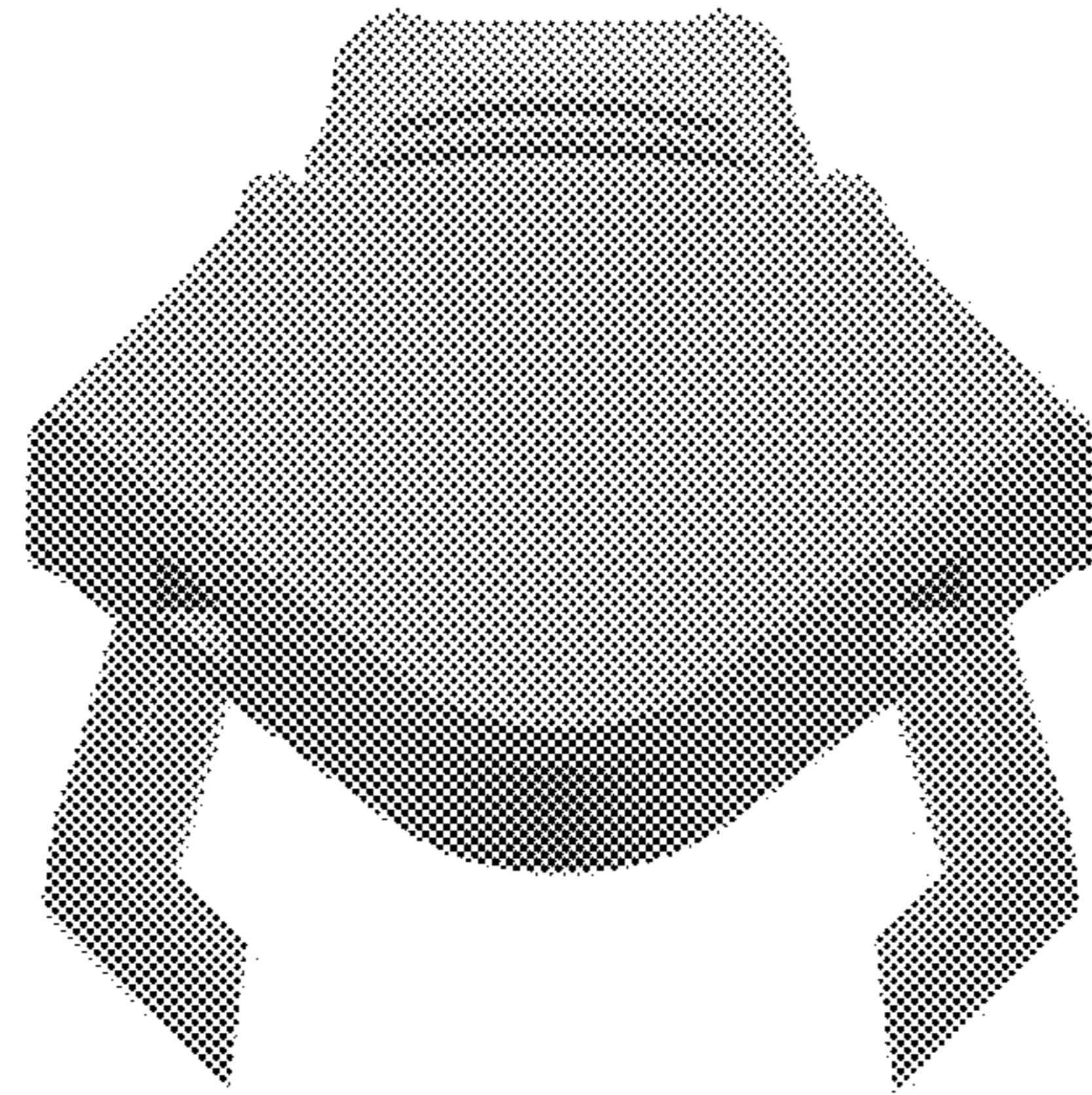


FIG. 7

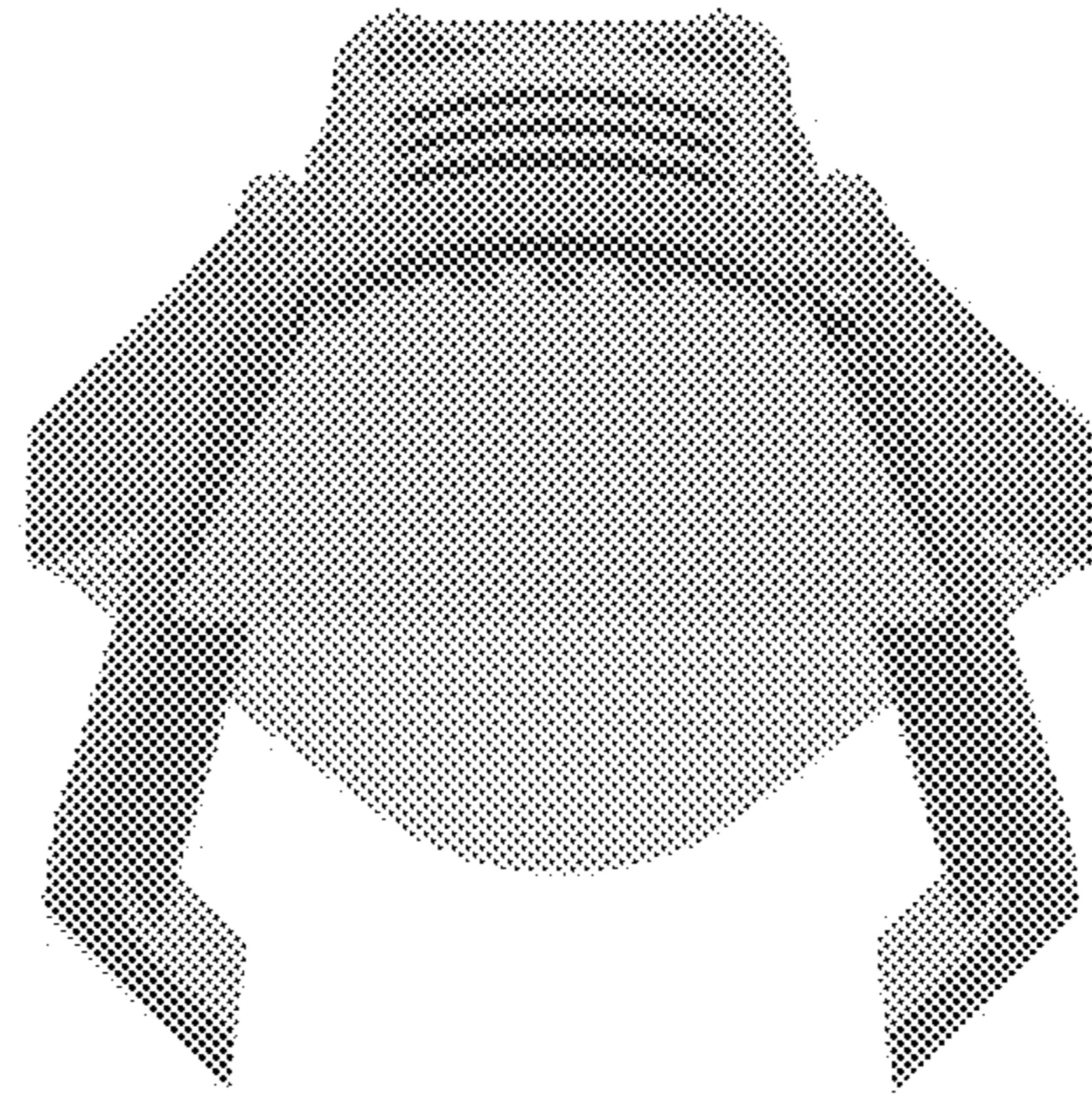


FIG. 8

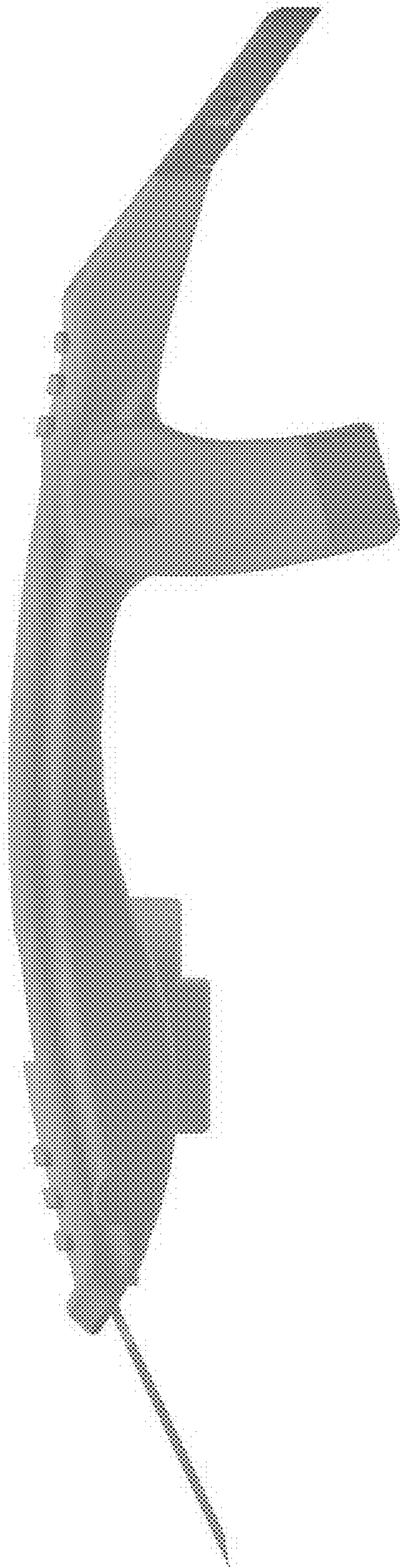


FIG. 9

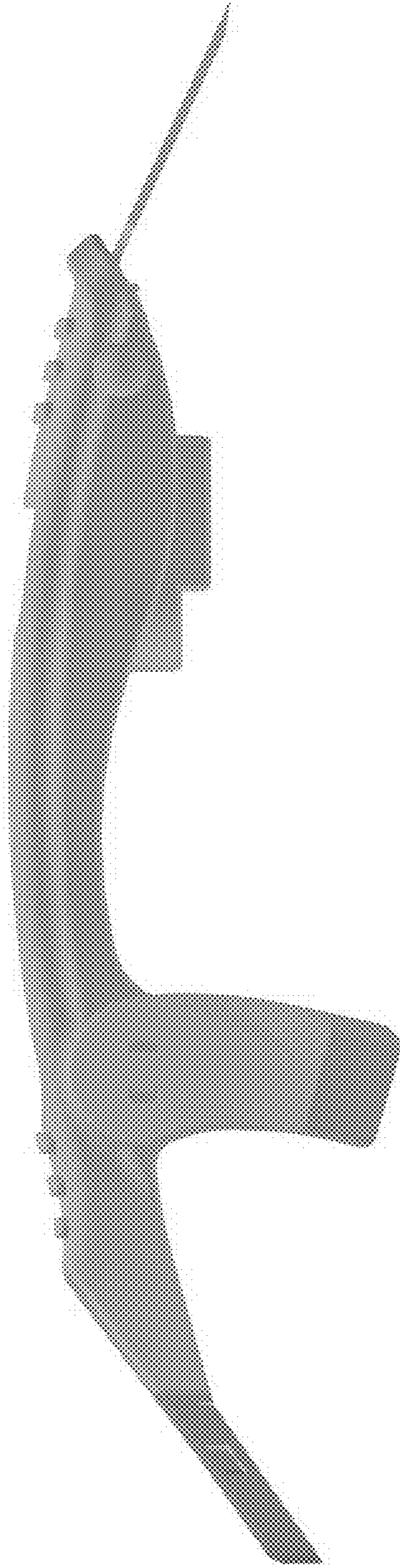


FIG. 10

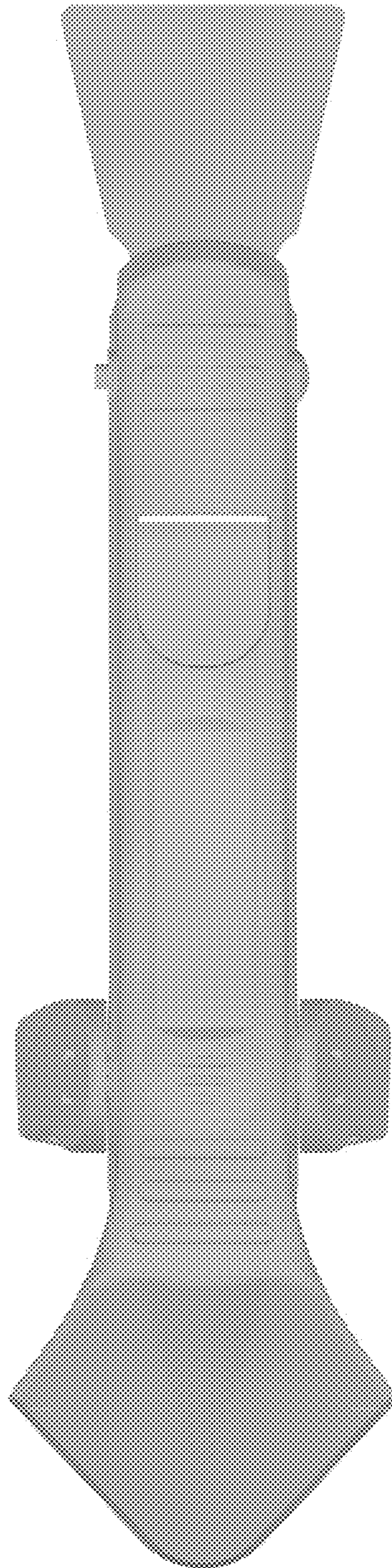


FIG. 11

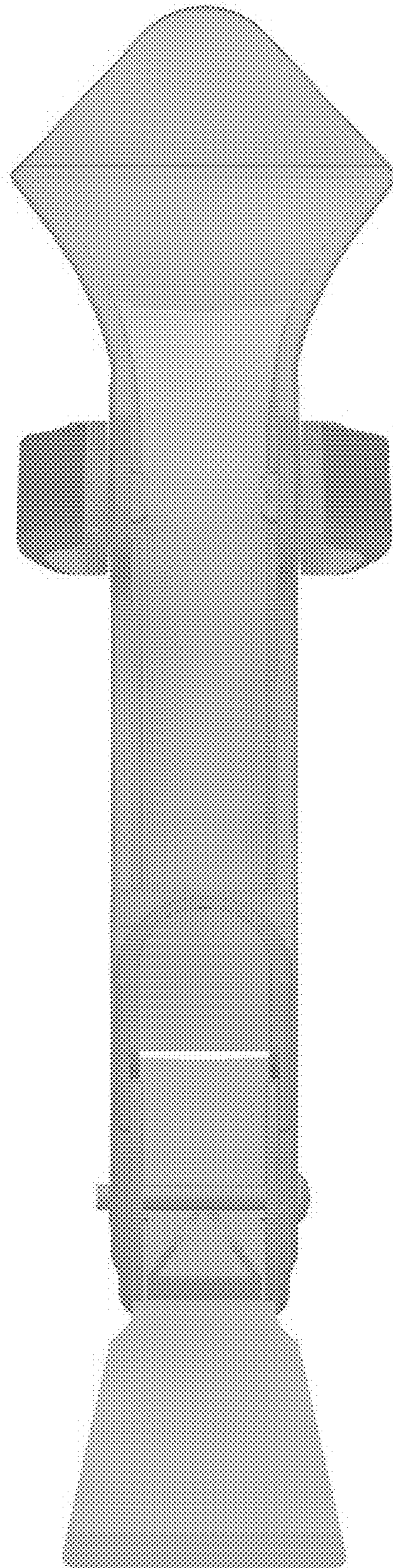


FIG. 12



FIG. 13