



US00D915701S

(12) **United States Design Patent** (10) **Patent No.:** **US D915,701 S**  
**Li** (45) **Date of Patent:** **\*\* Apr. 6, 2021**

- (54) **DISHWASHING BRUSH**
- (71) Applicant: **Zhichao Li**, Shenzhen (CN)
- (72) Inventor: **Zhichao Li**, Shenzhen (CN)
- (\*\*) Term: **15 Years**
- (21) Appl. No.: **29/745,433**
- (22) Filed: **Aug. 6, 2020**
- (51) **LOC (13) Cl.** ..... **07-05**
- (52) **U.S. Cl.**  
USPC ..... **D32/40**
- (58) **Field of Classification Search**  
USPC ..... D32/34-35, 40-43, 45-46, 50-52;  
D4/137, 199  
CPC ..... A47L 13/22; A47L 13/10; A47L 13/20  
See application file for complete search history.

- D685,548 S \* 7/2013 Wong ..... D32/40
- D737,531 S \* 8/2015 Chitayat ..... D32/40
- D761,663 S \* 7/2016 Cook ..... D9/725
- D770,117 S \* 10/2016 Neumann ..... D32/45
- D844,919 S \* 4/2019 Renner ..... D32/45
- D844,920 S \* 4/2019 Renner ..... D32/45
- D878,056 S 3/2020 Mikaelsson et al.
- 2005/0034260 A1 \* 2/2005 Post ..... A47L 13/20  
15/220.1
- 2014/0259500 A1 \* 9/2014 Post ..... A47L 1/15  
15/231

(56) **References Cited**

**U.S. PATENT DOCUMENTS**

- 2,877,482 A \* 3/1959 Roy ..... A47L 4/02  
15/220.3
- D203,658 S \* 2/1966 Schoenfield et al. .... D32/45
- D406,426 S \* 3/1999 Henrie ..... D32/51
- D414,005 S \* 9/1999 Lehnertz ..... D32/45
- D434,525 S \* 11/2000 Angeletta ..... D28/7
- D450,165 S \* 11/2001 Osiecki ..... D28/63
- D468,878 S \* 1/2003 Reede ..... D32/50
- 6,769,153 B1 \* 8/2004 Post ..... A47L 1/15  
15/144.1
- D496,511 S \* 9/2004 Colburn ..... D32/40
- D496,766 S \* 9/2004 Colburn ..... D32/40
- 6,973,695 B1 \* 12/2005 Nesler ..... A47L 1/06  
15/144.2
- D514,761 S \* 2/2006 Seregni ..... D28/63
- D546,512 S \* 7/2007 Kertz ..... D1/127
- D554,309 S \* 10/2007 Wolk ..... D32/40
- D604,918 S \* 11/2009 Thomas ..... D32/40

**FOREIGN PATENT DOCUMENTS**

IN 314517-001-0001 \* 2/2020

\* cited by examiner

*Primary Examiner* — John R Yeh  
(74) *Attorney, Agent, or Firm* — ZANIP

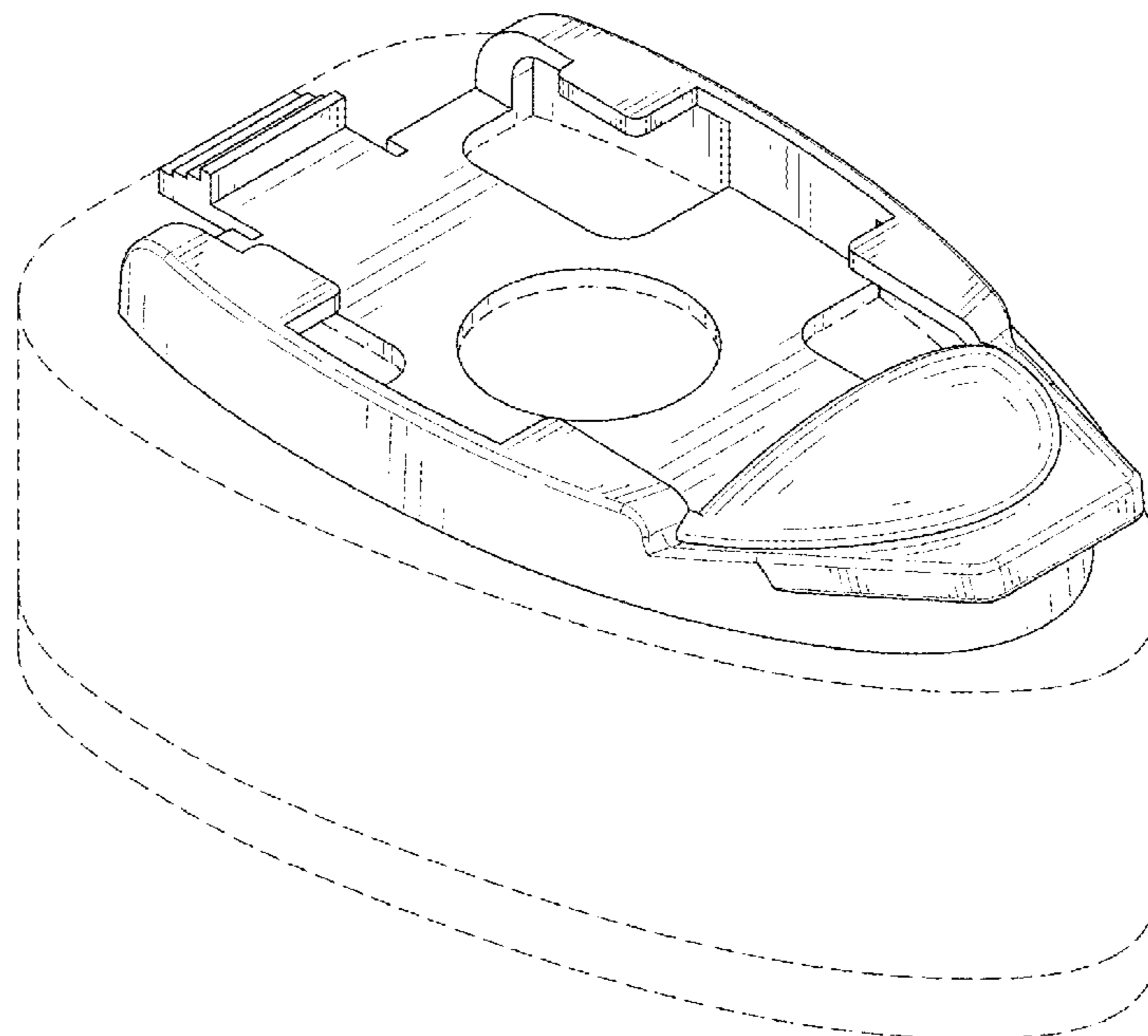
(57) **CLAIM**

The ornamental design for a dishwashing brush, as shown and described.

**DESCRIPTION**

FIG. 1 is a front and top perspective view of a dishwashing brush, showing my new design;  
FIG. 2 is a rear and top perspective view thereof;  
FIG. 3 is a front elevational view thereof;  
FIG. 4 is a rear elevational view thereof;  
FIG. 5 is a left side elevational view thereof;  
FIG. 6 is a right side elevational view thereof;  
FIG. 7 is a top plan view thereof; and,  
FIG. 8 is a bottom plan view thereof.  
The dashed broken lines in the figures illustrate portions of the, dishwashing brush that form, no part of the claimed design.

**1 Claim, 8 Drawing Sheets**



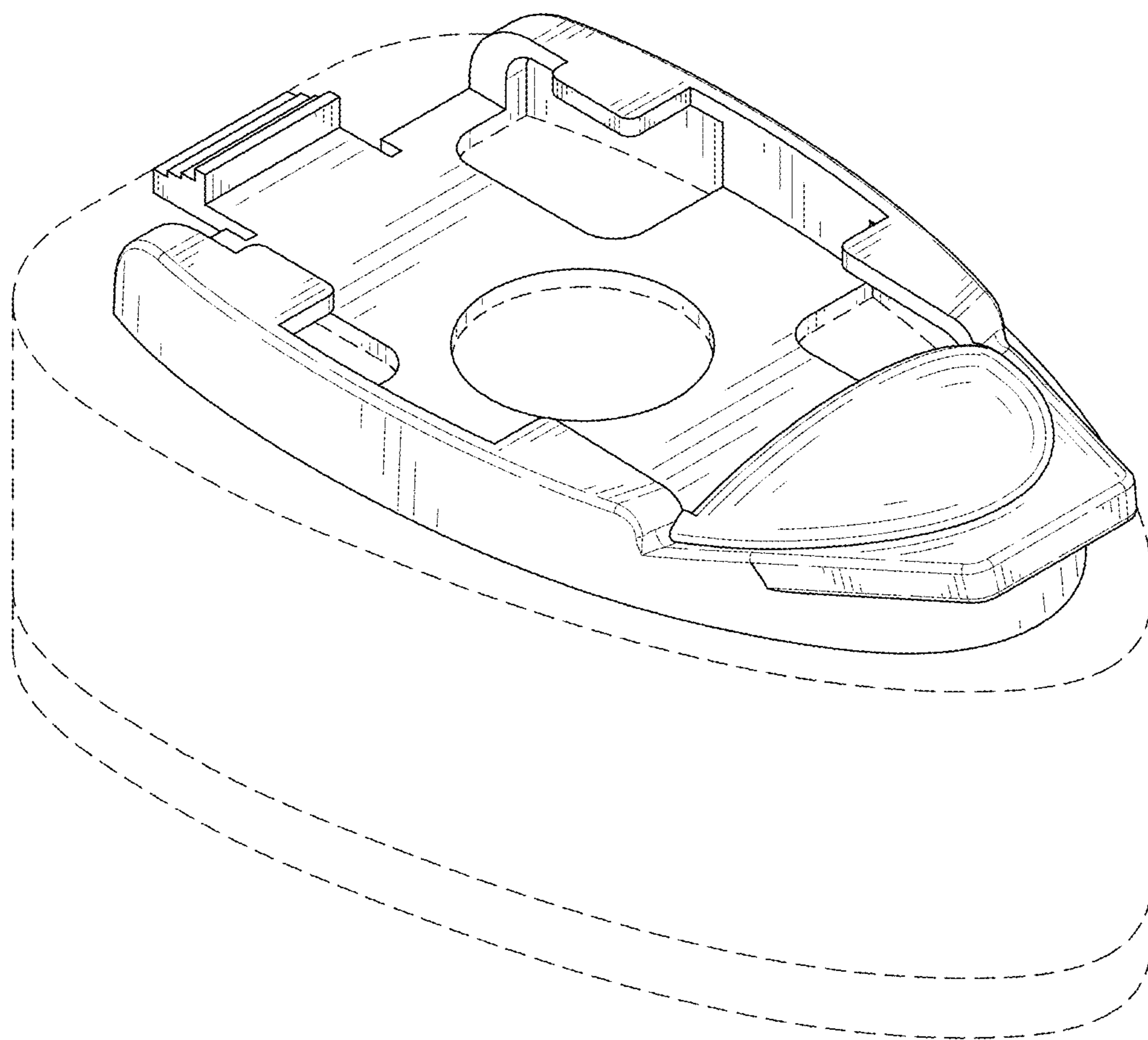


FIG. 1

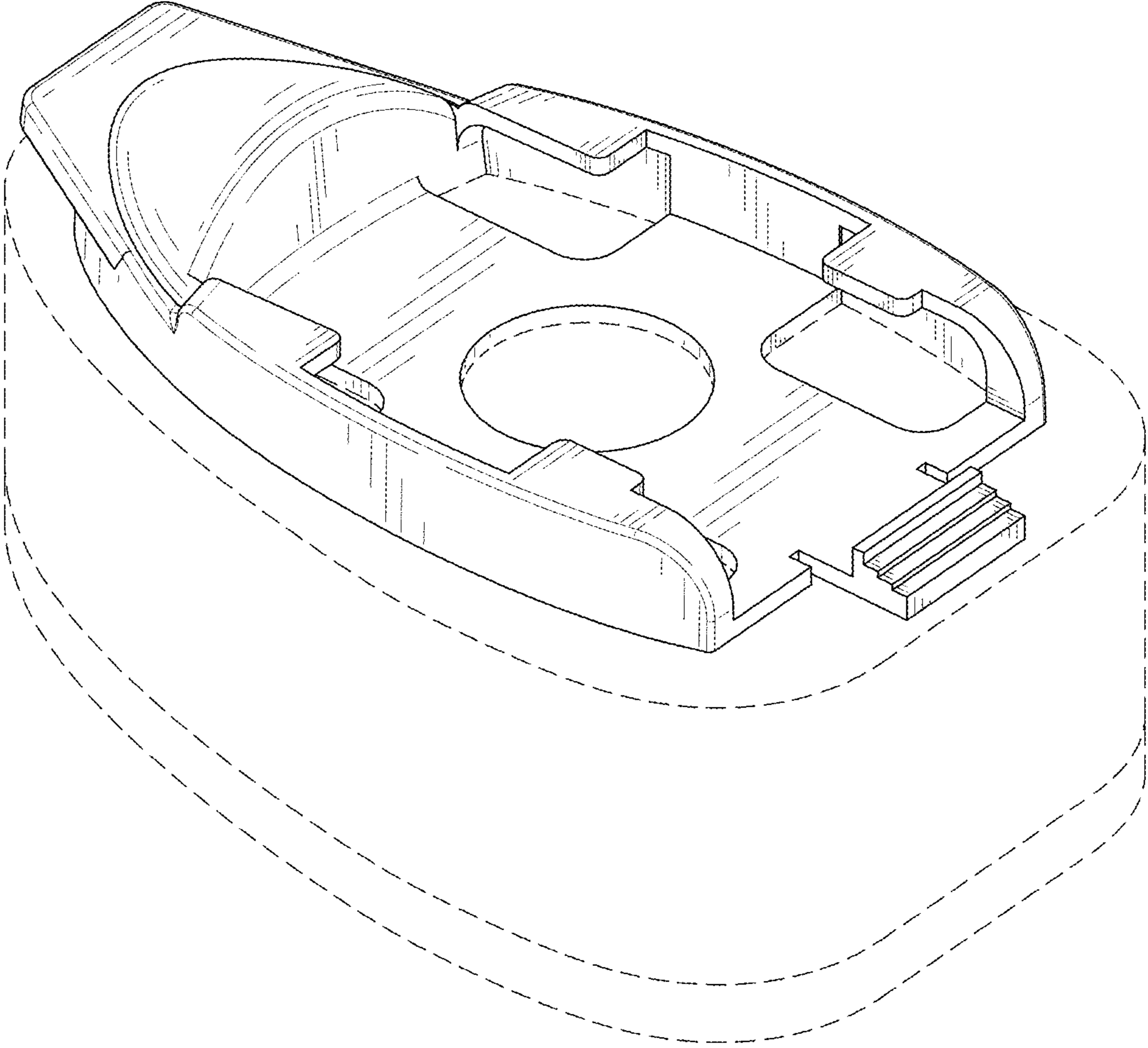


FIG. 2

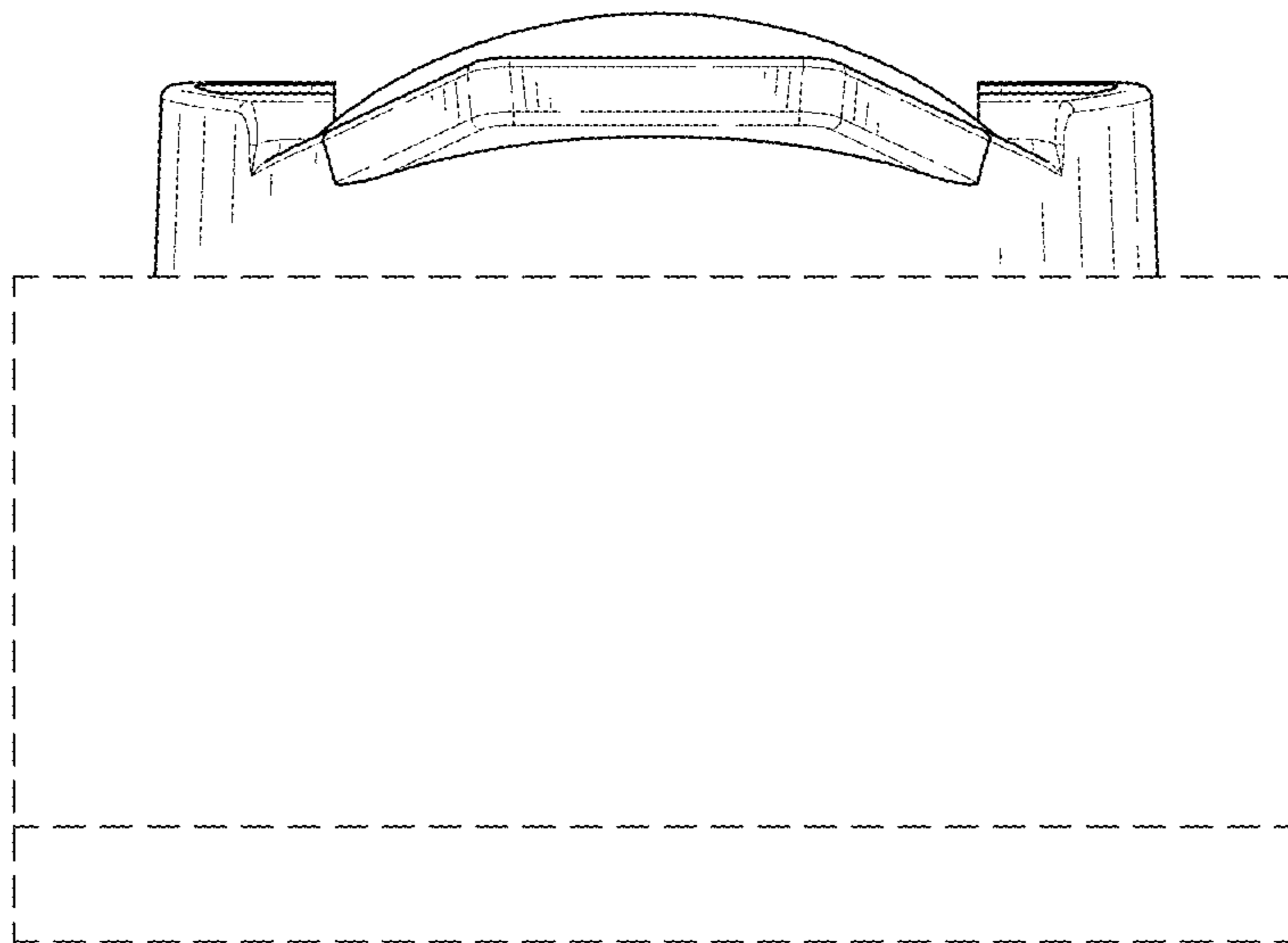


FIG. 3

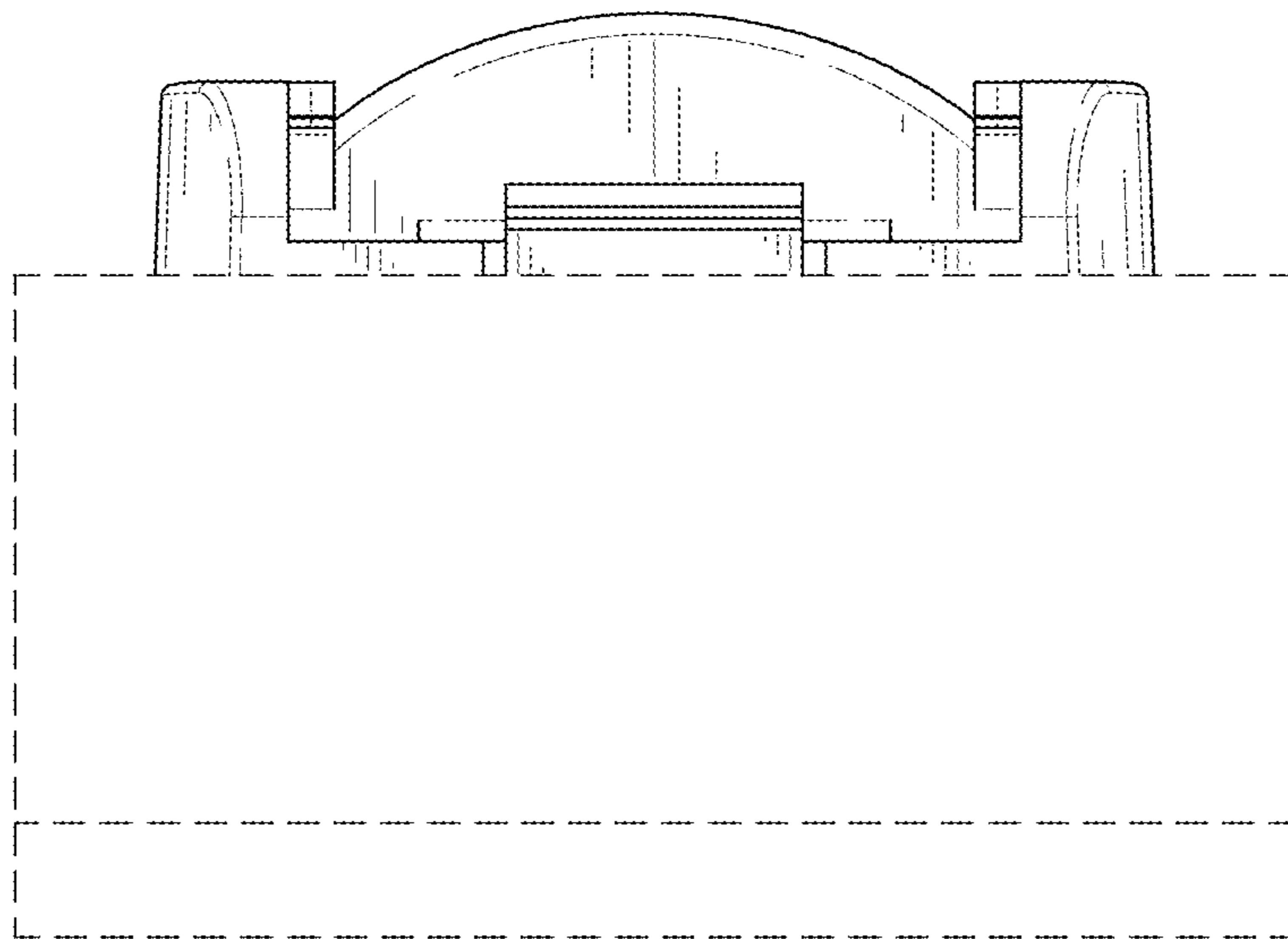


FIG. 4

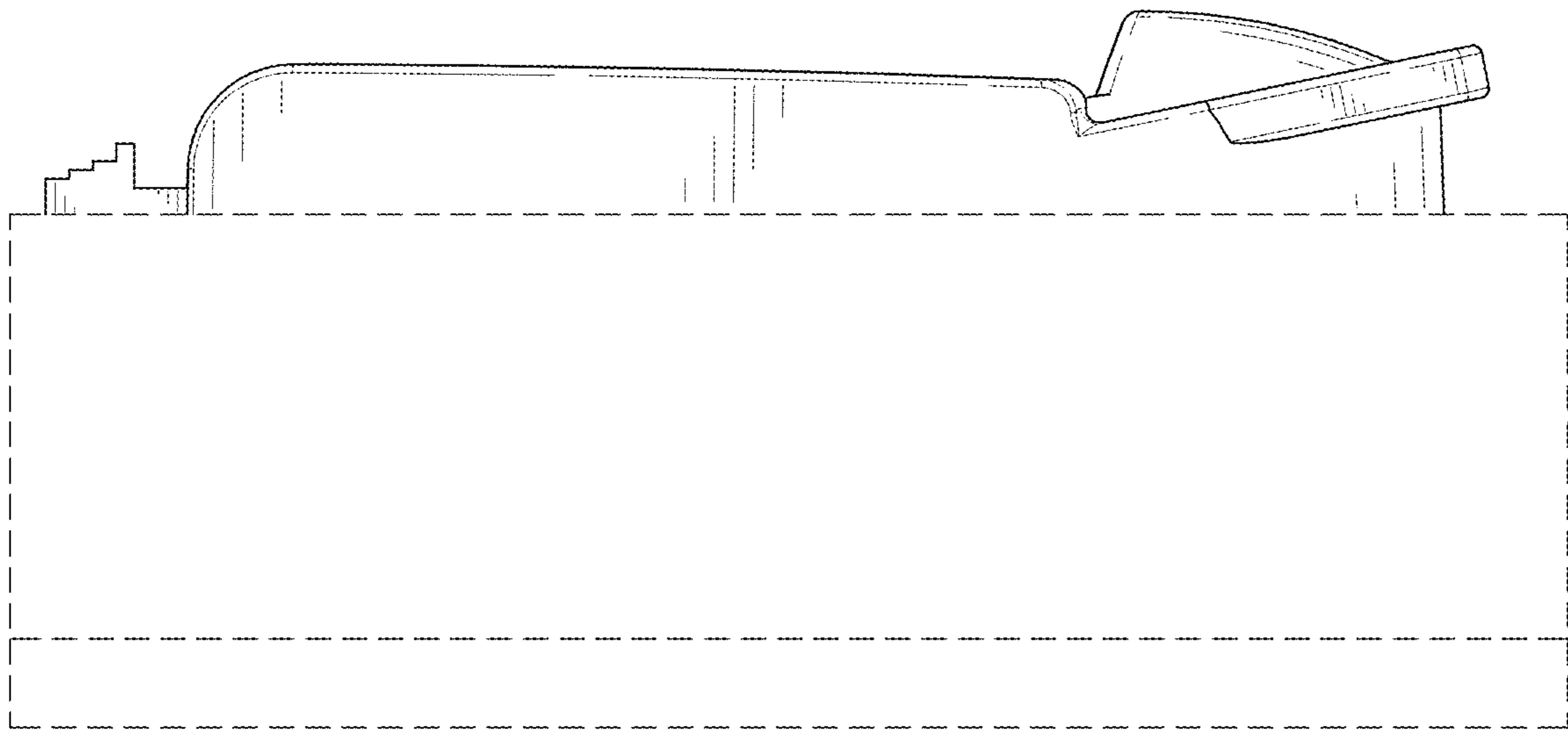


FIG. 5

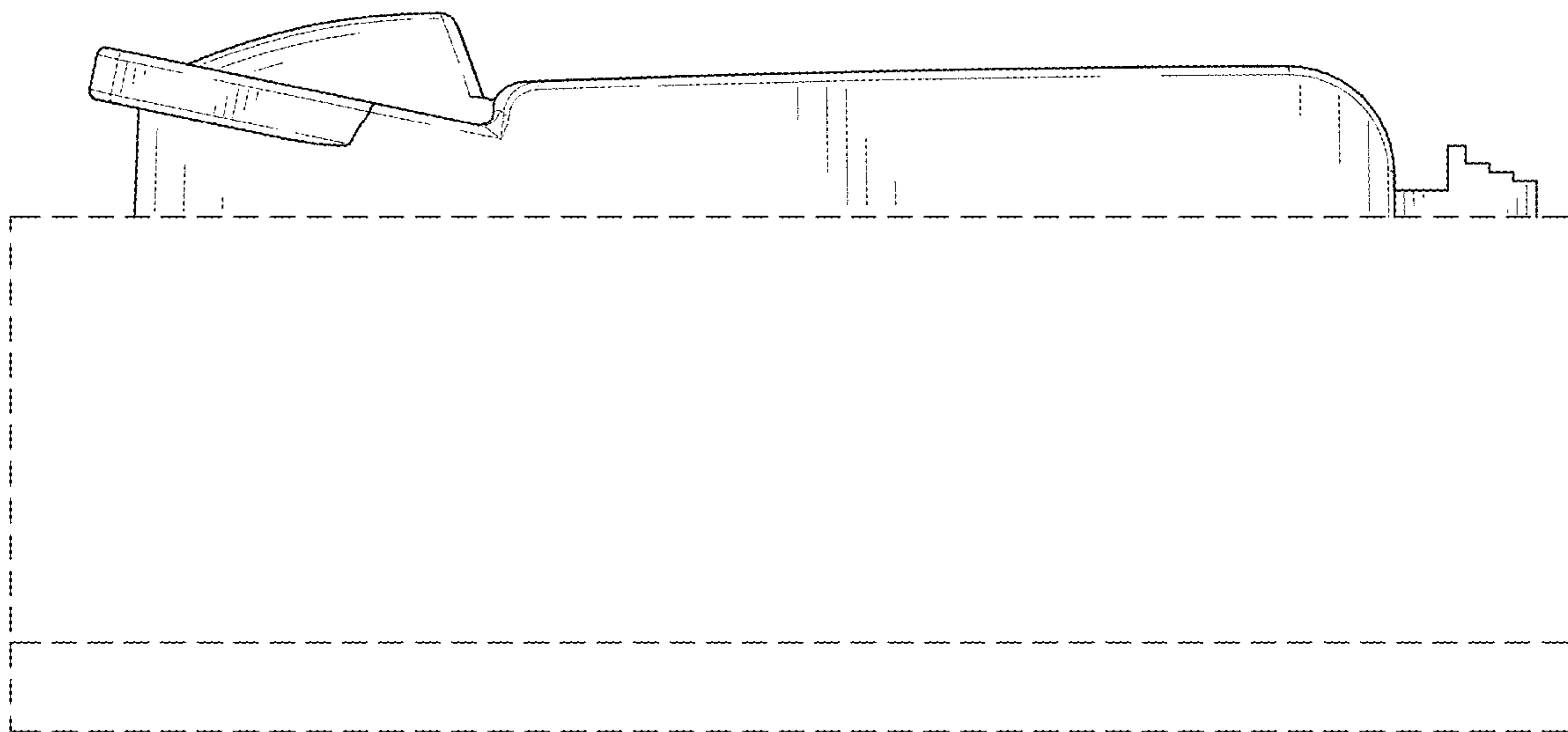


FIG. 6

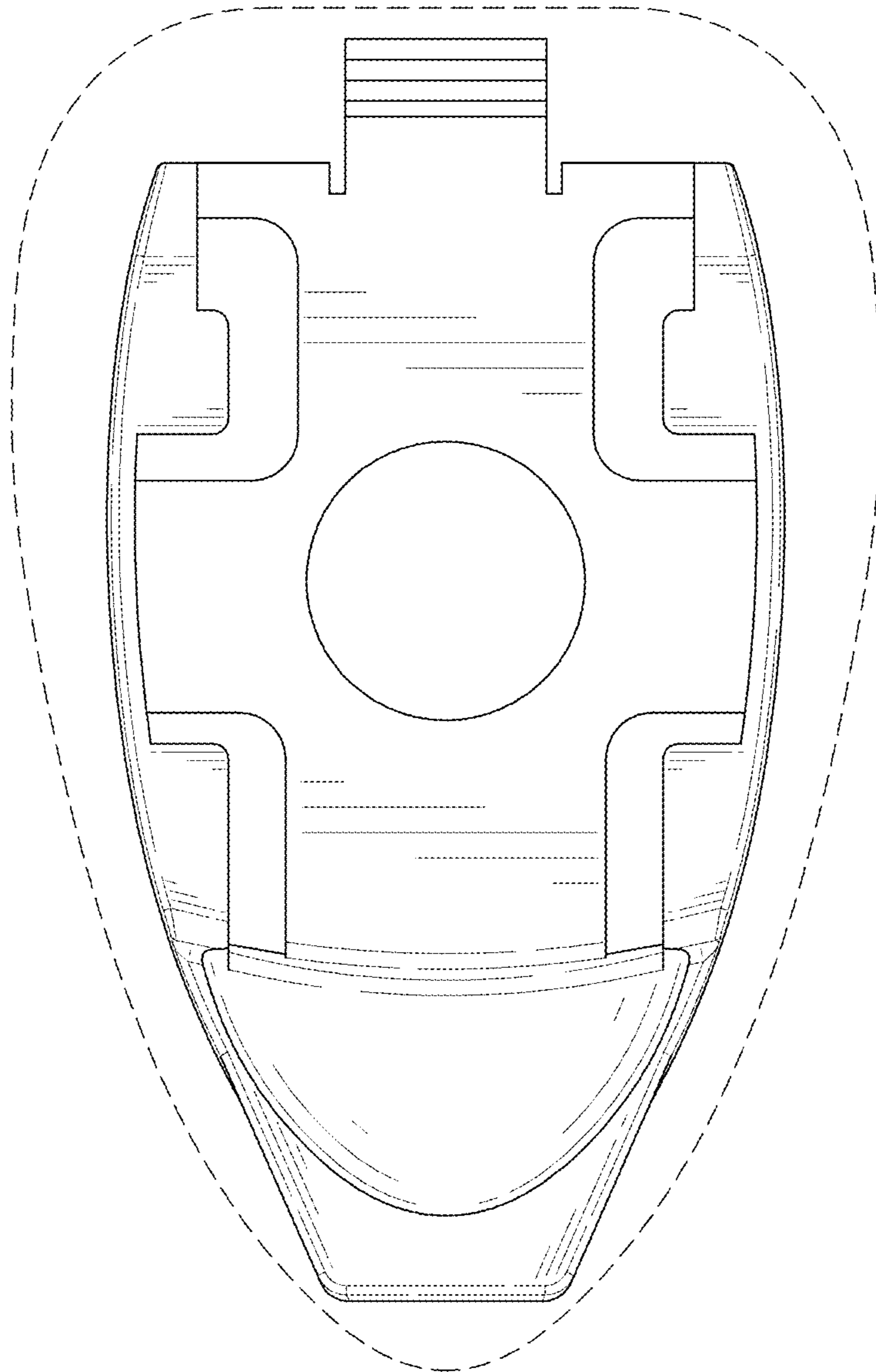


FIG. 7



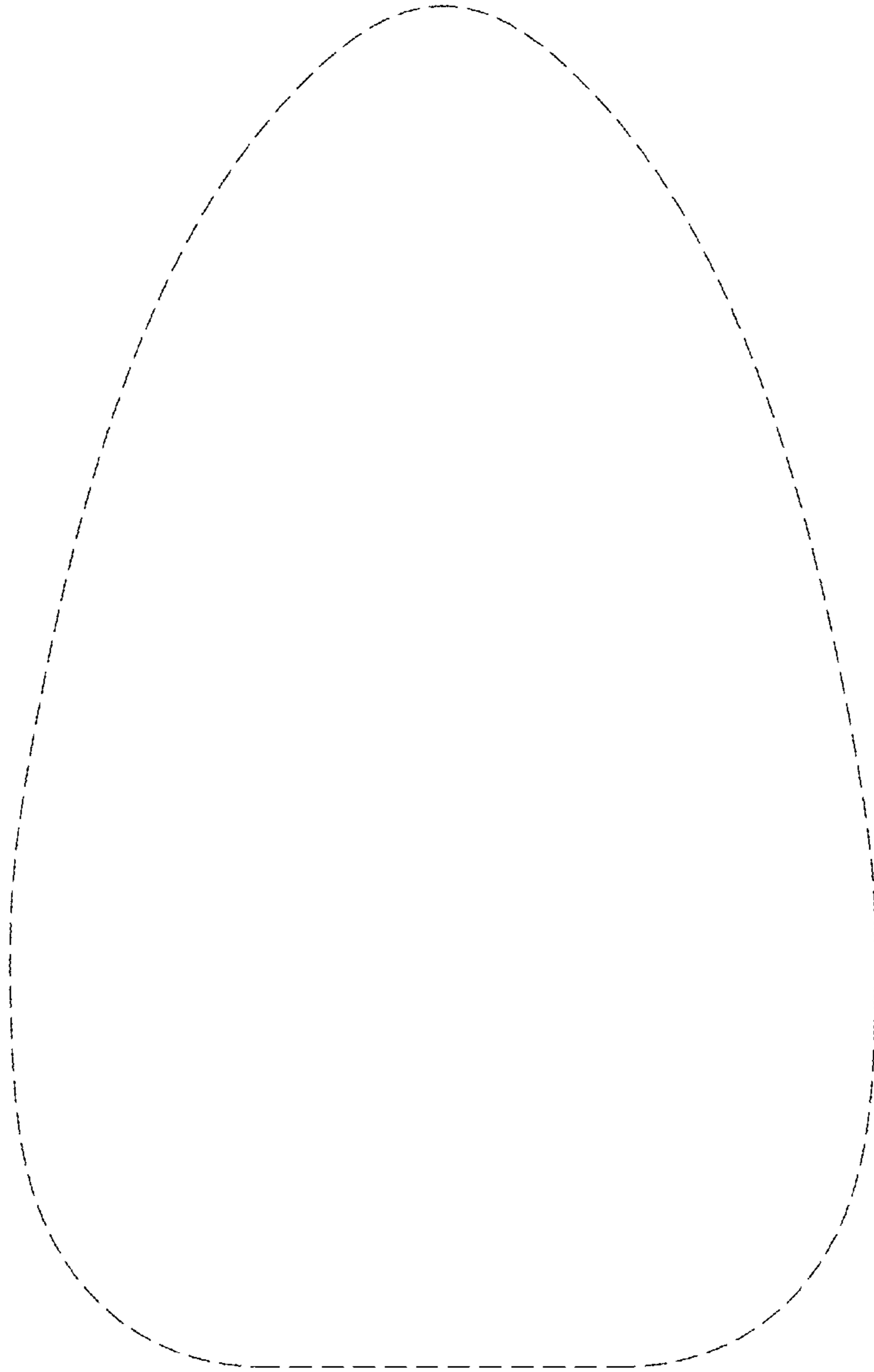


FIG. 8