



US00D915698S

(12) **United States Design Patent** (10) **Patent No.:** **US D915,698 S**
Wall et al. (45) **Date of Patent:** **** *Apr. 6, 2021**

(54) **WET/DRY VACUUM CLEANER**

(56) **References Cited**

(71) Applicant: **Emerson Electric Co.**, St. Louis, MO (US)

U.S. PATENT DOCUMENTS

(72) Inventors: **Alex J. Wall**, St. Louis, MO (US);
Douglas C. Schultz, Glen Carbon, IL (US);
Phuong Le, St. Charles, MO (US);
David Goggans, St. Louis, MO (US)

D286,336 S 10/1986 Berfield et al.
D360,718 S 7/1995 Rakocy et al.
D361,179 S 8/1995 Moine et al.
D362,091 S 9/1995 Tomasiak et al.
(Continued)

(73) Assignee: **Emerson Electric Co.**, St. Louis, MO (US)

FOREIGN PATENT DOCUMENTS

CA ID87833 S 10/1999
CA ID89522 S 5/2000
(Continued)

(*) Notice: This patent is subject to a terminal disclaimer.

OTHER PUBLICATIONS

(**) Term: **15 Years**

Ridgid 16 Gal 6.5 HP Shop Vac (on-line), dated Jan. 8, 2019. Retrieved from Internet Jun. 8, 2020, URL: <https://mrbuilditandmrsstyleit.com/ridgid-16-gal-6-5-hp-shop-vac/> (6 pages) (Year: 2019).*
(Continued)

(21) Appl. No.: **29/710,805**

(22) Filed: **Oct. 25, 2019**

Primary Examiner — Kimberly Barnes

(74) *Attorney, Agent, or Firm* — Armstrong Teasdale LLP

Related U.S. Application Data

(62) Division of application No. 29/645,962, filed on Apr. 30, 2018, now Pat. No. Des. 901,112.

(57) **CLAIM**

We claim the ornamental design for a wet/dry vacuum cleaner, as shown and described.

(51) **LOC (13) Cl.** **15-05**

(52) **U.S. Cl.**
USPC **D32/21**

DESCRIPTION

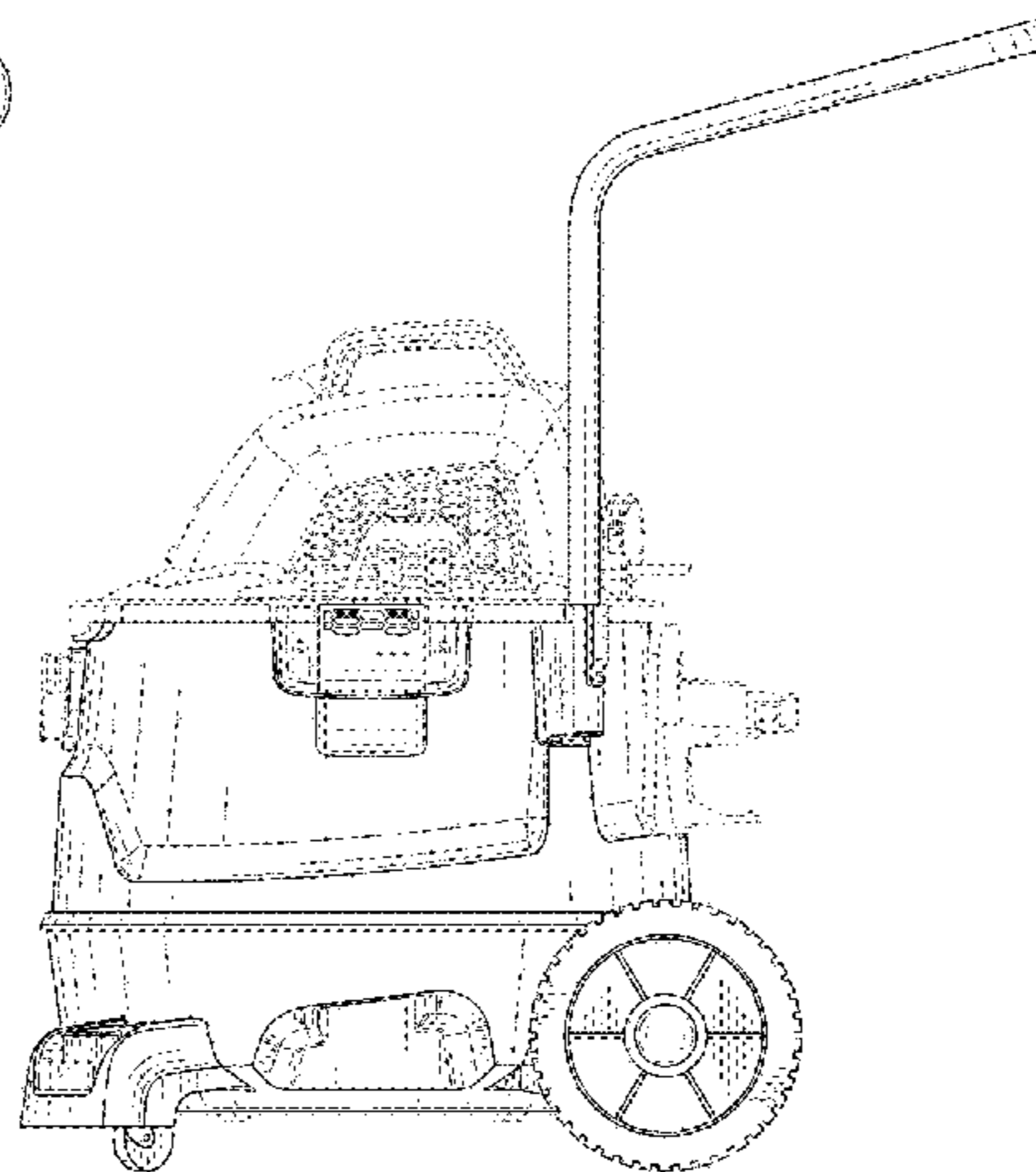
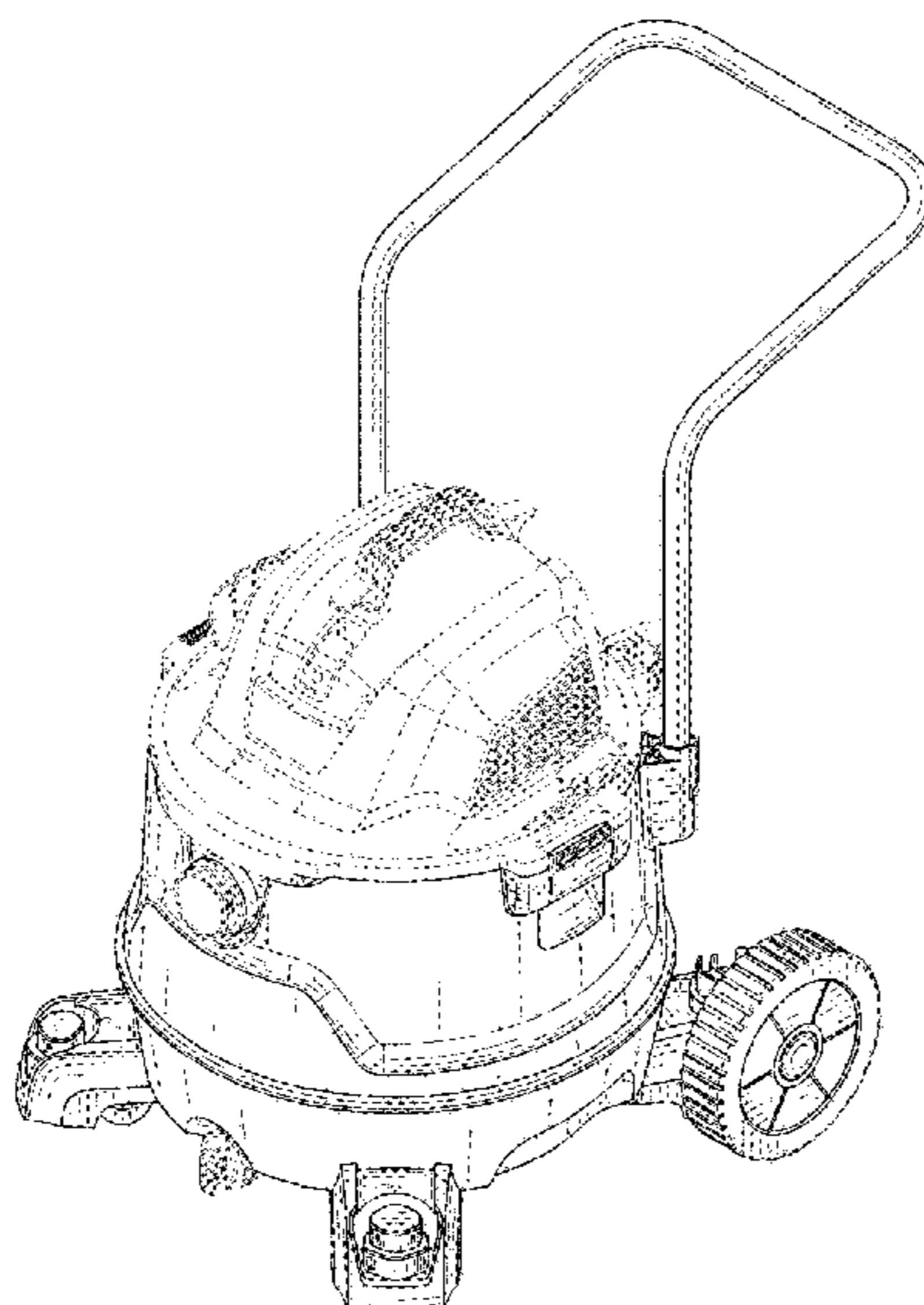
(58) **Field of Classification Search**
USPC D32/15–25, 29, 31–34
CPC A47L 9/00; A47L 9/0009; A47L 9/0063;
A47L 9/32; A47L 9/322; A47L 9/325;
A47L 11/00; A47L 11/22; A47L 11/24;
A47L 11/32; A47L 11/4072; A47L 11/4075;
A47L 11/4094; A47L 11/20; A47L 11/40;
A47L 5/24; A47L 5/28; A47L 7/02; A47L 5/36; A47L 7/00; A47L 9/14; A47L 9/28

FIG. 1 is a front perspective view of a wet/dry vacuum cleaner showing the new design.
FIG. 2 is a front view thereof.
FIG. 3 is a rear view thereof.
FIG. 4 is a right side view thereof.
FIG. 5 is a left side view thereof.
FIG. 6 is a top view thereof; and,
FIG. 7 is a bottom view thereof.

The broken lines in the drawings depict portions of the wet/dry vacuum cleaner that form no part of the claimed design.

See application file for complete search history.

1 Claim, 7 Drawing Sheets



(56)

References Cited

U.S. PATENT DOCUMENTS

D418,643 S 1/2000 Hoshino
 D429,394 S 8/2000 Griffin et al.
 D438,353 S 2/2001 Hoshino et al.
 D443,739 S 6/2001 Young et al.
 D445,549 S 7/2001 Griffin et al.
 D447,609 S 9/2001 Hult et al.
 D470,279 S 2/2003 Griffin et al.
 D470,280 S 2/2003 Griffin et al.
 D470,281 S 2/2003 Griffin et al.
 D479,023 S 8/2003 Holsten et al.
 D479,371 S 9/2003 Griffin et al.
 D486,280 S 2/2004 Holsten et al.
 D492,823 S 7/2004 Hoshino et al.
 D492,824 S 7/2004 Tomasiak et al.
 D494,327 S 8/2004 Song
 D507,386 S 7/2005 Griffin et al.
 D519,251 S 4/2006 Hoshino et al.
 D520,689 S 5/2006 Eccardt et al.
 D527,504 S 8/2006 Griffin et al.
 D528,255 S 9/2006 Griffin et al.
 D528,256 S 9/2006 Beth et al.
 D528,718 S 9/2006 Tomasiak et al.
 7,165,290 B2 1/2007 Martinez et al.
 D537,992 S 3/2007 Hoshino
 D541,818 S 5/2007 Rhea et al.
 D549,903 S 8/2007 Eccardt et al.
 D551,681 S 9/2007 Rhea et al.
 D558,410 S 12/2007 Hill et al.
 D565,269 S 3/2008 Tomasiak et al.
 D568,013 S 4/2008 Crevling
 D569,066 S 5/2008 Crevling, Jr. et al.
 D573,320 S * 7/2008 Crevling, Jr. D32/23
 D577,164 S 9/2008 Williams et al.
 D580,115 S 11/2008 Theising et al.
 D581,111 S 11/2008 DiPasquale
 D583,115 S * 12/2008 Lam D32/21
 D587,868 S 3/2009 DiPasquale
 D595,910 S 7/2009 Hollis et al.
 D596,359 S 7/2009 Hollis et al.
 D614,369 S 4/2010 Theising et al.
 D615,258 S 5/2010 Dammkoehler
 D615,259 S 5/2010 Theising et al.
 D617,514 S 6/2010 Hollis et al.
 D618,409 S * 6/2010 Crevling, Jr. D32/31
 D618,870 S 6/2010 Williams et al.
 D619,770 S 7/2010 Moore, Jr.
 D633,668 S * 3/2011 Griffin D32/23
 D634,494 S 3/2011 Theising et al.
 D638,181 S 5/2011 Crevling, Jr. et al.
 D647,260 S 10/2011 Hollis et al.
 D647,261 S 10/2011 Schultz et al.
 8,075,650 B2 * 12/2011 Hale A47L 9/1436
 55/378
 D655,872 S 3/2012 Jin
 D657,101 S 4/2012 Williams et al.
 D660,529 S 5/2012 Dammkoehler et al.
 8,206,482 B2 * 6/2012 Williams B01D 46/2414
 55/498
 D666,369 S 8/2012 Williams et al.

D669,646 S 10/2012 Theising et al.
 D670,046 S 10/2012 Theising et al.
 D670,048 S 10/2012 Theising et al.
 D672,929 S 12/2012 Gottschall et al.
 D675,388 S 1/2013 Buck
 D675,389 S 1/2013 Seasholtz et al.
 D676,205 S 2/2013 Theising et al.
 D683,090 S 5/2013 Griffin et al.
 D683,091 S 5/2013 Griffin et al.
 8,590,099 B2 11/2013 Sang et al.
 8,695,161 B2 * 4/2014 Williams A47L 5/365
 15/326
 D740,504 S 10/2015 Williams et al.
 D743,655 S 11/2015 Holsten et al.
 9,192,270 B2 11/2015 Westbrook et al.
 9,271,620 B2 3/2016 Meredith et al.
 9,408,509 B2 * 8/2016 Plato A47L 9/0072
 9,468,345 B2 10/2016 Zhu et al.
 9,492,047 B2 11/2016 Marsden et al.
 9,668,625 B2 6/2017 Wolford et al.
 9,700,187 B2 7/2017 Schultz et al.
 D806,332 S 12/2017 Griffin et al.
 D830,014 S * 10/2018 Jin D32/21
 D830,015 S * 10/2018 Jin D32/21
 10,092,148 B2 * 10/2018 Gierer A47L 5/22
 D834,775 S 11/2018 Griffin et al.
 D865,305 S * 10/2019 Wall D32/21
 10,426,308 B2 * 10/2019 Stanek A47L 5/365
 D866,886 S * 11/2019 Knight D32/21
 D868,404 S * 11/2019 Wall D32/21
 D874,760 S * 2/2020 Knight D32/21
 D875,333 S * 2/2020 Wall D32/21
 D876,039 S * 2/2020 Wall D32/31
 D876,735 S * 2/2020 Lassig D32/21
 D876,738 S * 2/2020 Wall D32/31
 D876,739 S * 2/2020 Wall D32/31
 D882,892 S * 4/2020 Wall D32/31
 10,653,281 B2 5/2020 Gierer et al.
 D901,112 S * 11/2020 Wall D32/31
 2016/0235266 A1 * 8/2016 Tomasiak A47L 9/22
 2019/0328191 A1 * 10/2019 Tomasiak A47L 9/00
 2019/0328192 A1 * 10/2019 Wilsey A47L 9/0036
 2020/0093341 A1 * 3/2020 Bian A47L 9/00

FOREIGN PATENT DOCUMENTS

CA ID89523 S 5/2000
 CA ID90731 S 10/2000

OTHER PUBLICATIONS

ProTool Reviews (on-line), dated Dec. 26, 2018. Retrieved from Internet Jun. 8, 2020, URL: <https://www.protoolreviews.com/buying-guides/wet-dry-shop-vacuum-buying-guide/36398/> (9 pages) (Year: 2018).*

Workshop Wet Dry Vac WS1400CA (on-line), dated Apr. 14, 2017. Retrieved from Internet Jun. 8, 2020, URL: <https://www.amazon.com/WORKSHOP-WS1400CA-Vacuum-Cleaner-14-Gallon/dp/B00FX35WCA?th=1> (4 pages) (Year: 2017).*

* cited by examiner

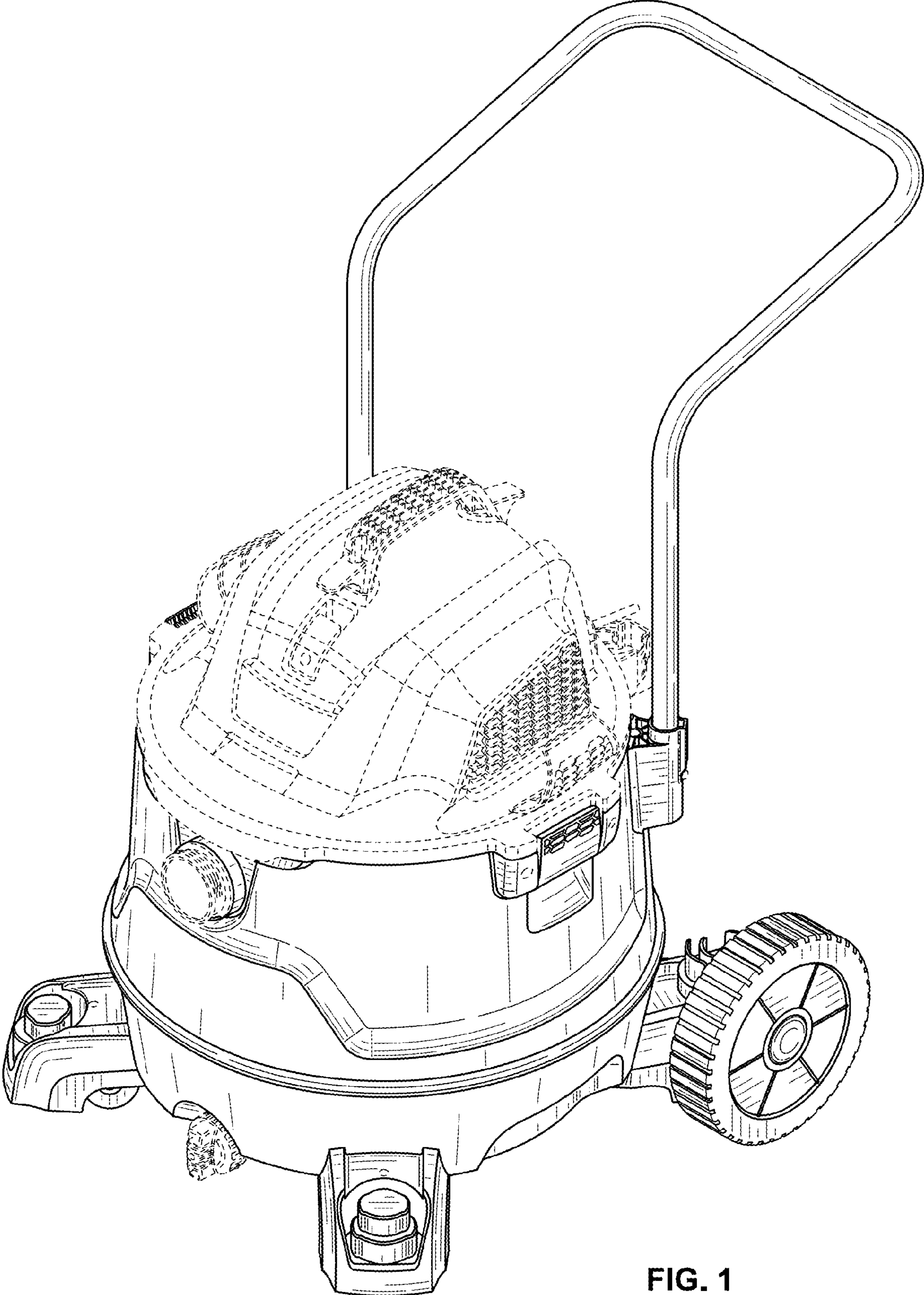


FIG. 1

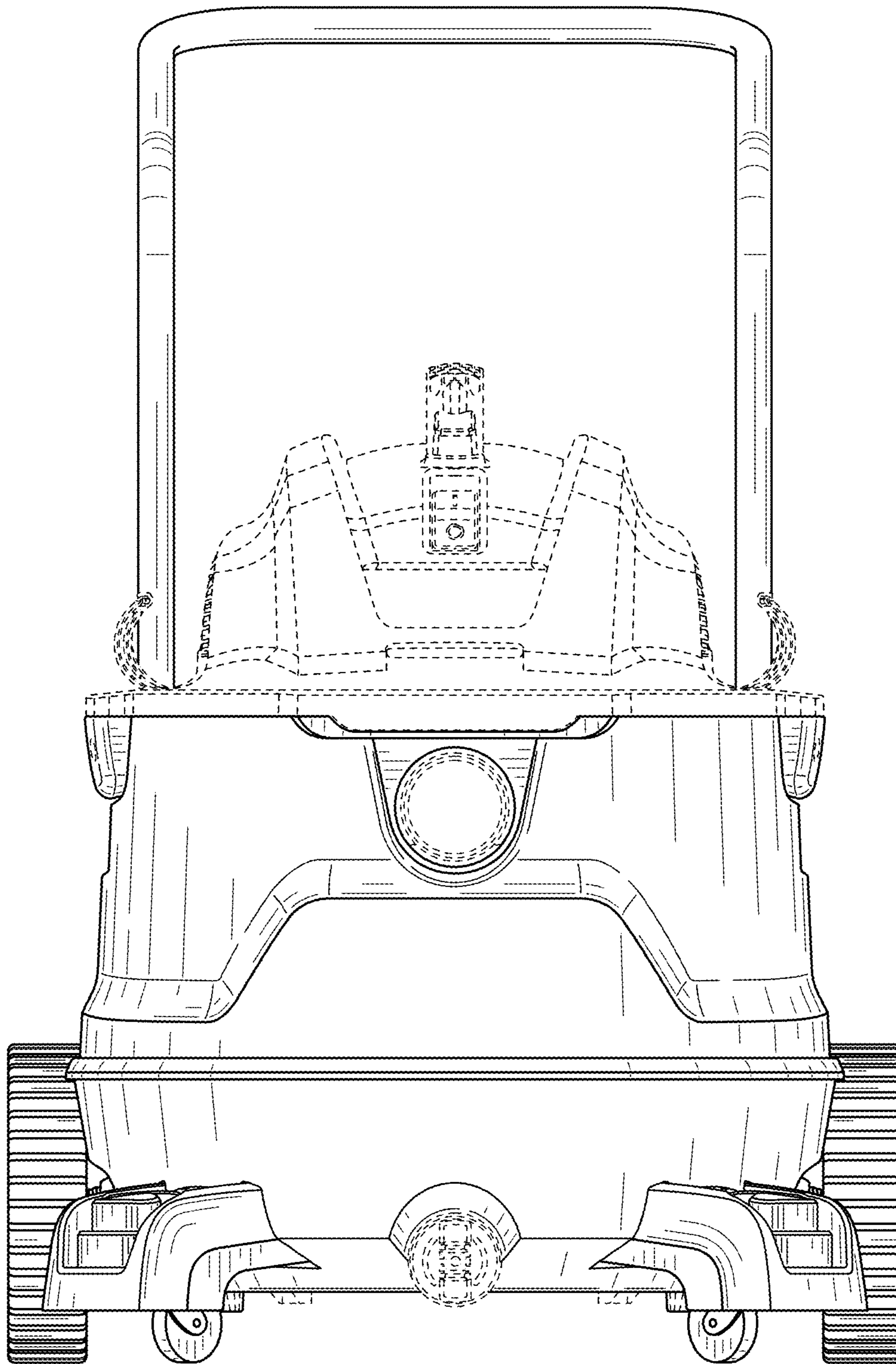


FIG. 2

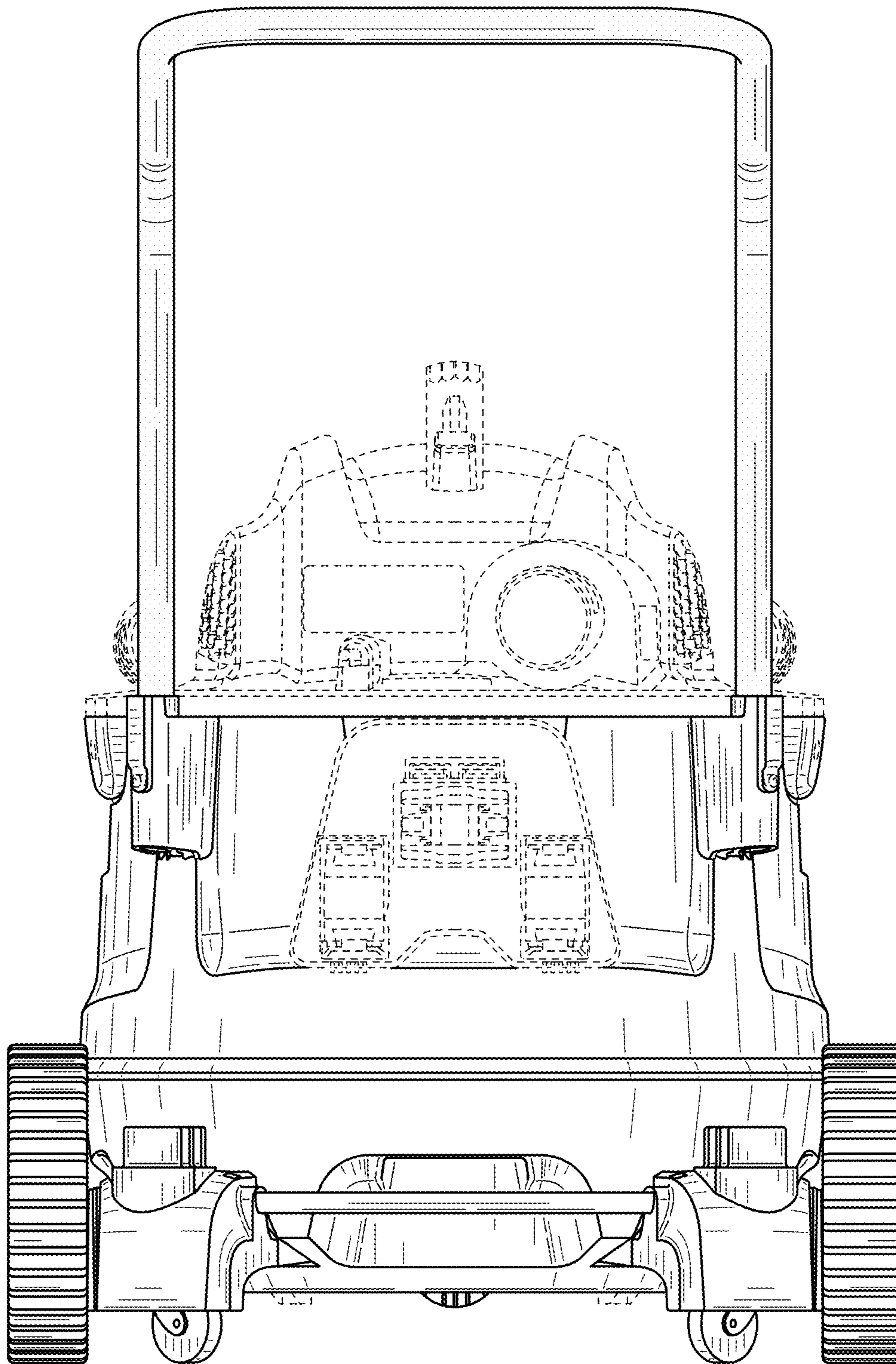


FIG. 3

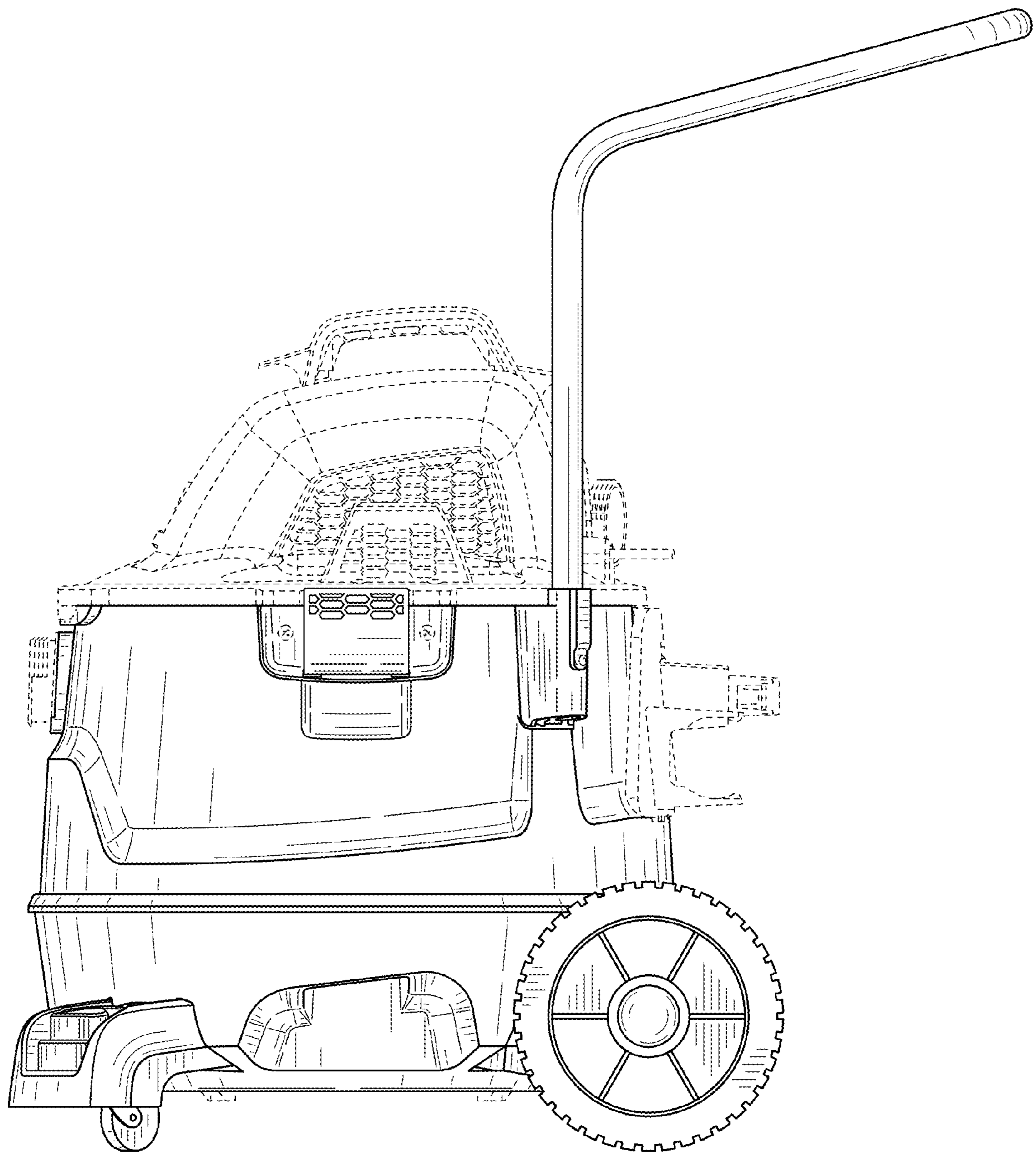


FIG. 4

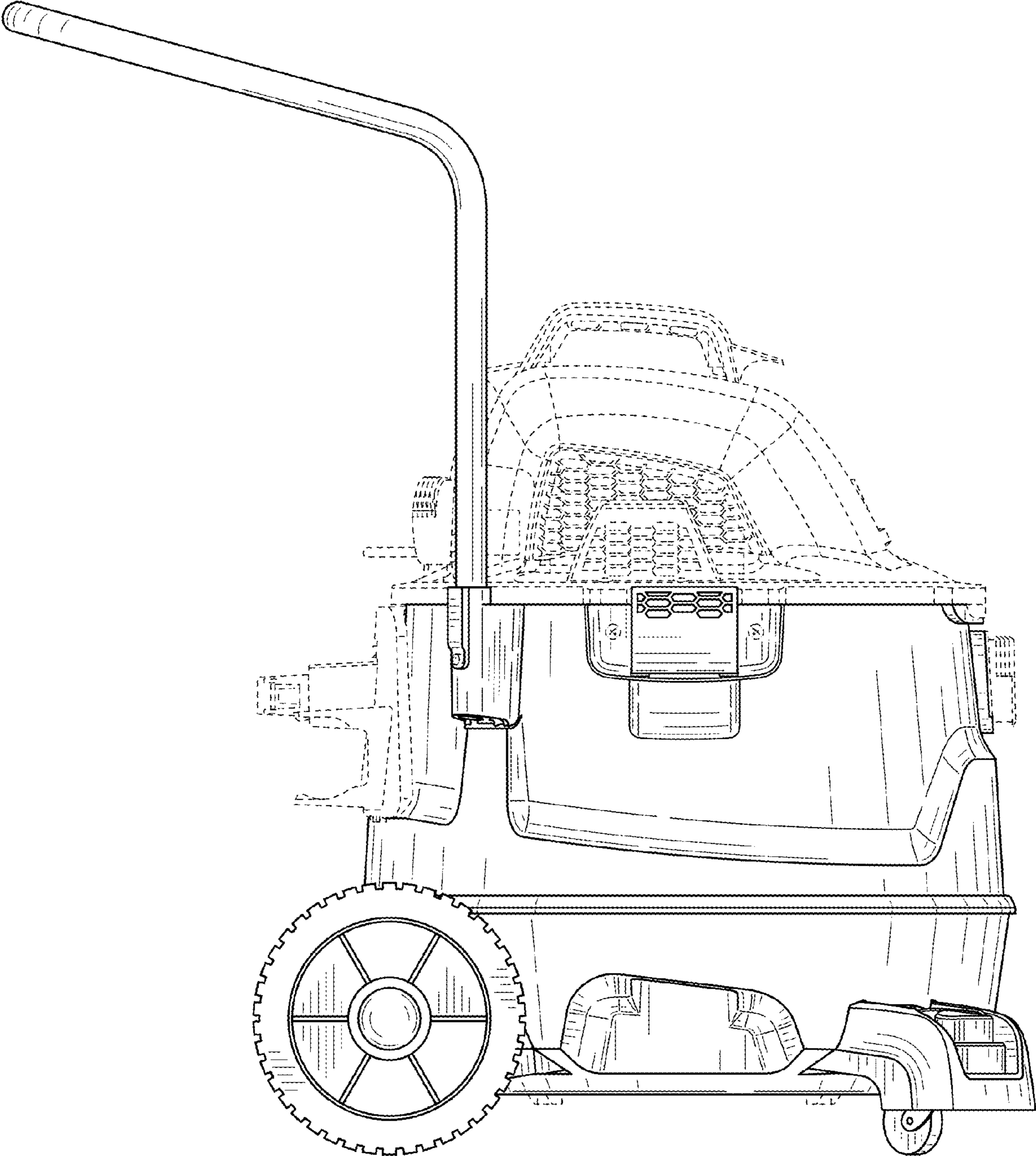


FIG. 5

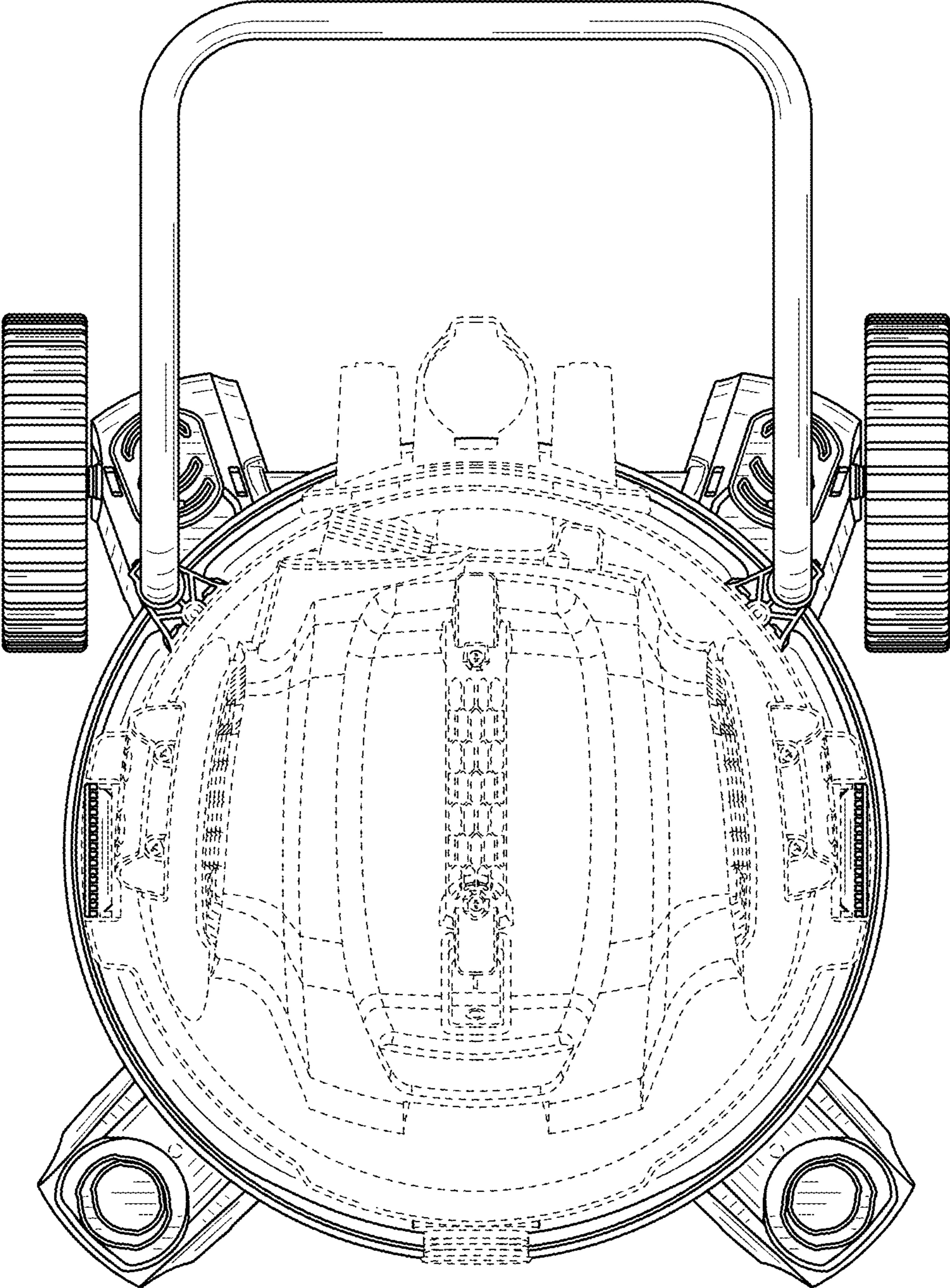


FIG. 6

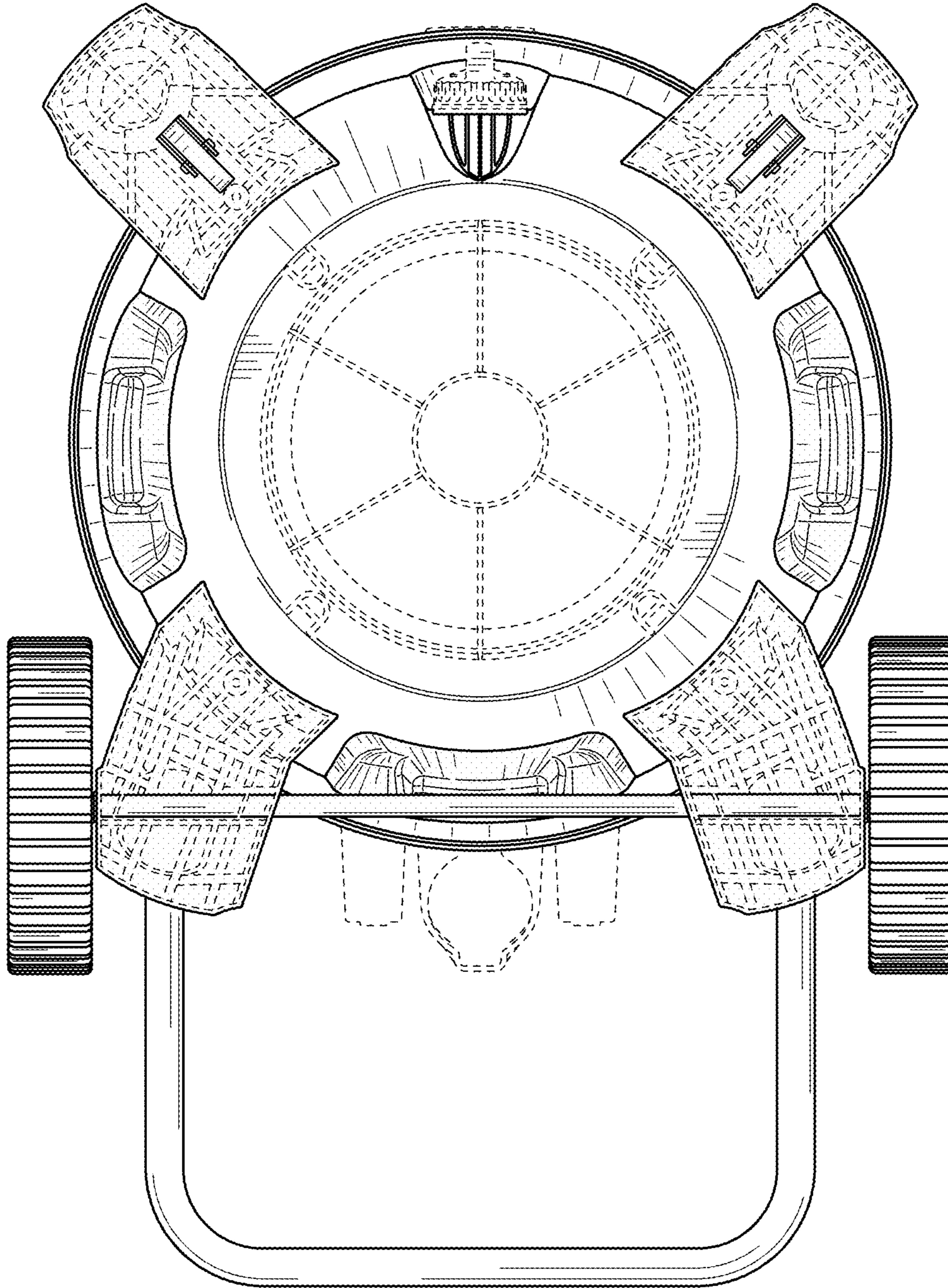


FIG. 7